



US00D647158S

(12) **United States Design Patent**
Dueck

(10) **Patent No.:** **US D647,158 S**

(45) **Date of Patent:** **** *Oct. 18, 2011**

(54) **SET OF OFF-SET SIGHTS FOR A FIREARM**

(76) Inventor: **Barry W. Dueck**, Sunset Beach, CA
(US)

(*) Notice: This patent is subject to a terminal disclaimer.

(**) Term: **14 Years**

(21) Appl. No.: **29/349,453**

(22) Filed: **Apr. 2, 2010**

(51) **LOC (9) Cl.** **22-01**

(52) **U.S. Cl.** **D22/109**

(58) **Field of Classification Search** D22/108-110,
D22/199; 359/399, 823, 744; 89/200-204;
42/111-113, 116, 120, 124-126, 127-129,
42/133-140; 33/227, 229

See application file for complete search history.

(56) **References Cited**

U.S. PATENT DOCUMENTS

5,340,115	A *	8/1994	Shirai et al.	463/5
6,722,075	B1 *	4/2004	Gabaldon	42/141
7,765,730	B2 *	8/2010	Keng	42/111

* cited by examiner

Primary Examiner — T. Chase Nelson

Assistant Examiner — Michael Pratt

(74) *Attorney, Agent, or Firm* — R. Tracy Crump

(57) **CLAIM**

The ornamental design for a set of off-set sights for a firearm, as shown and described.

DESCRIPTION

FIG. 1 is a perspective view of the set of offset sights showing my new design, shown mounted to a firearm (the set of offset sights of my design includes a rear sight part and a front sight part);

FIG. 2 is a perspective view of the rear sight part thereof;

FIG. 3 is a top view of the rear sight part thereof;

FIG. 4 is a right side view of the rear sight part thereof;

FIG. 5 is a rear view of the rear sight part thereof;

FIG. 6 is a front view of the rear sight part thereof;

FIG. 7 is a left side view of the rear sight part thereof;

FIG. 8 is a bottom view of the rear sight part thereof;

FIG. 9 is a perspective view of the front sight part thereof;

FIG. 10 is a front view of the front sight part thereof;

FIG. 11 is a left side view of the front sight part thereof;

FIG. 12 is a bottom view of the front sight part thereof;

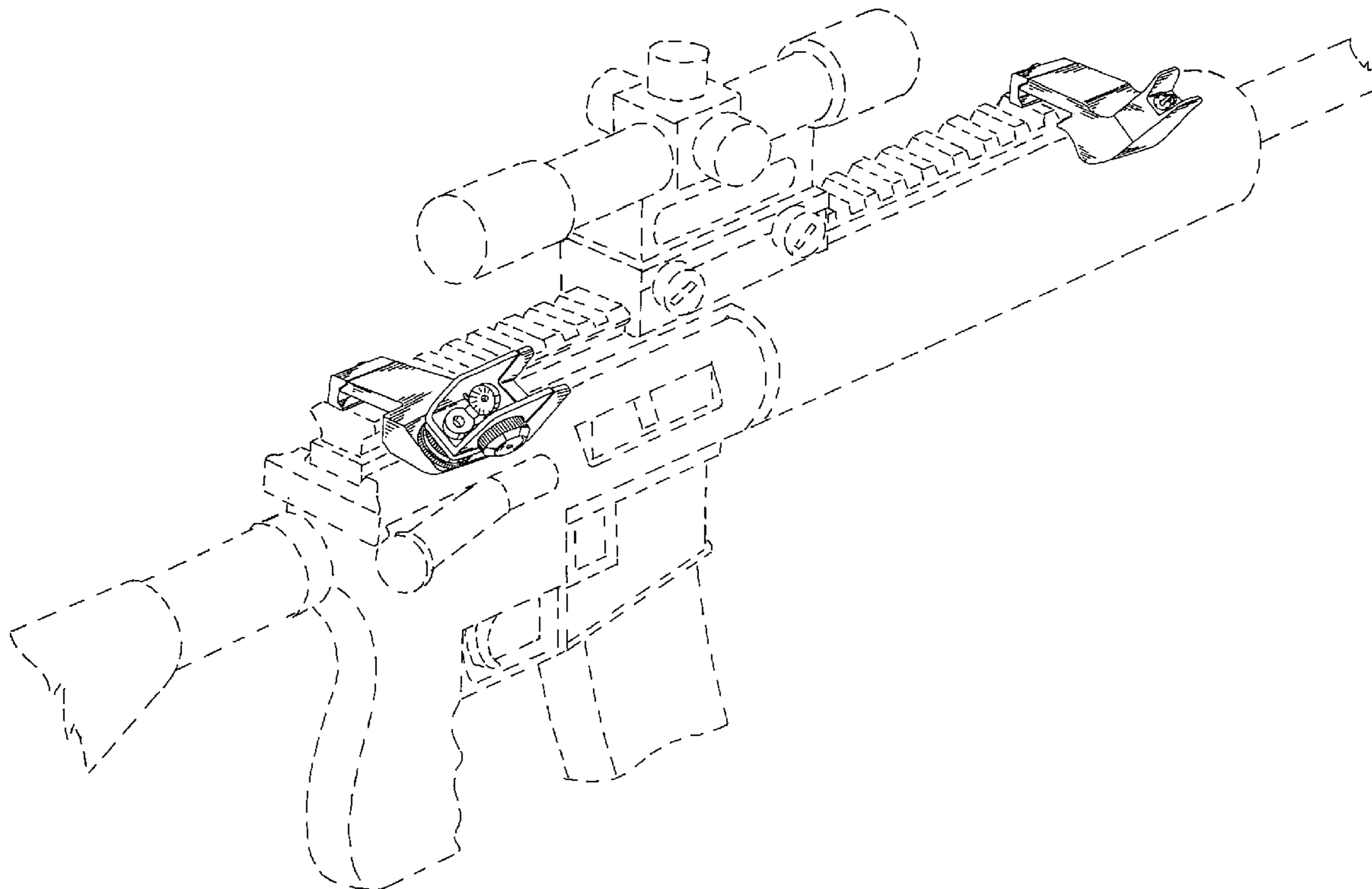
FIG. 13 is a rear view of the front sight part thereof;

FIG. 14 is a right side view of the front sight part thereof; and,

FIG. 15 is a top view of the front sight part thereof.

The firearm shown in broken lines in FIG. 1 form no part of the claimed design.

1 Claim, 7 Drawing Sheets



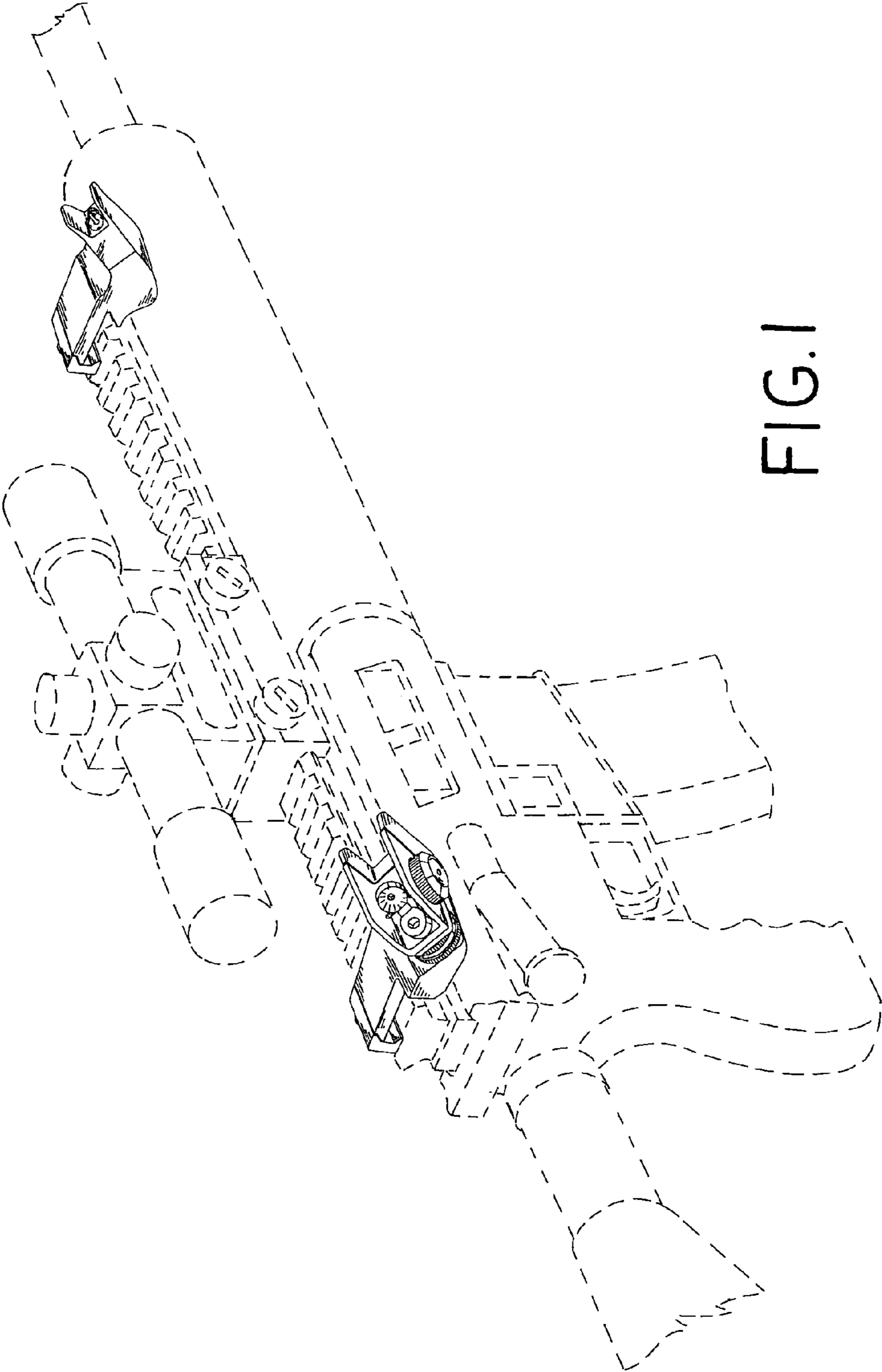


FIG. 1

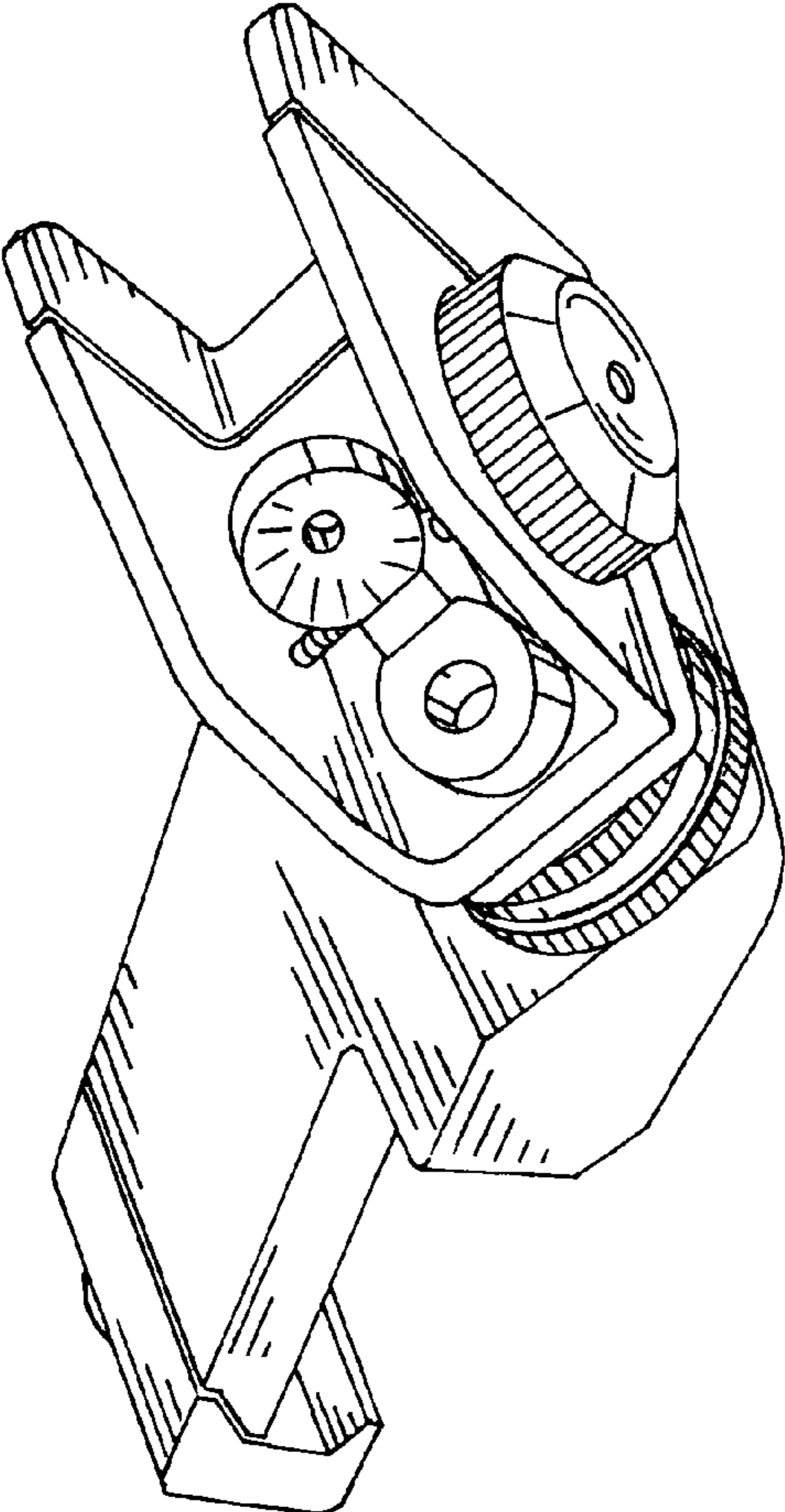


FIG. 2

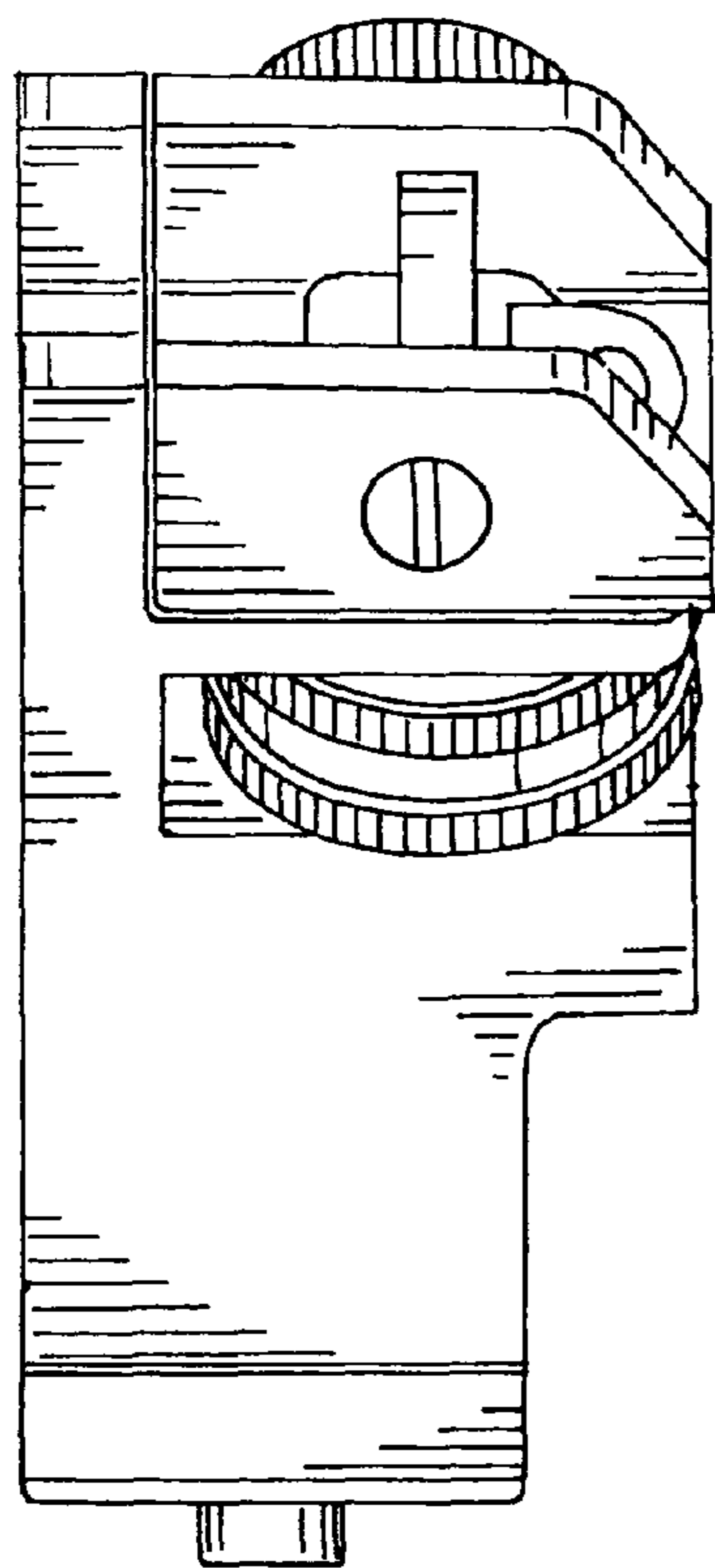


FIG. 3

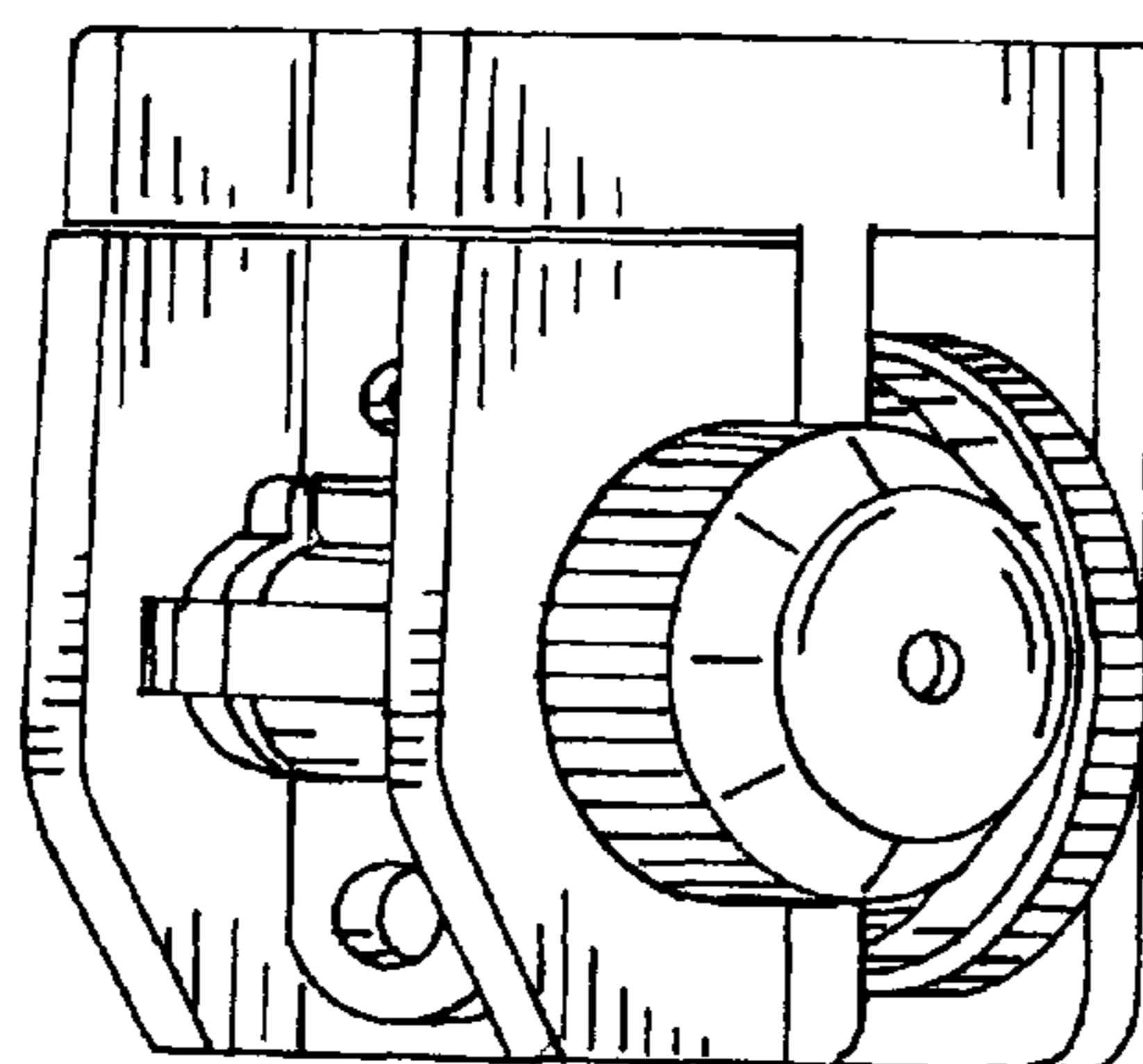


FIG. 4

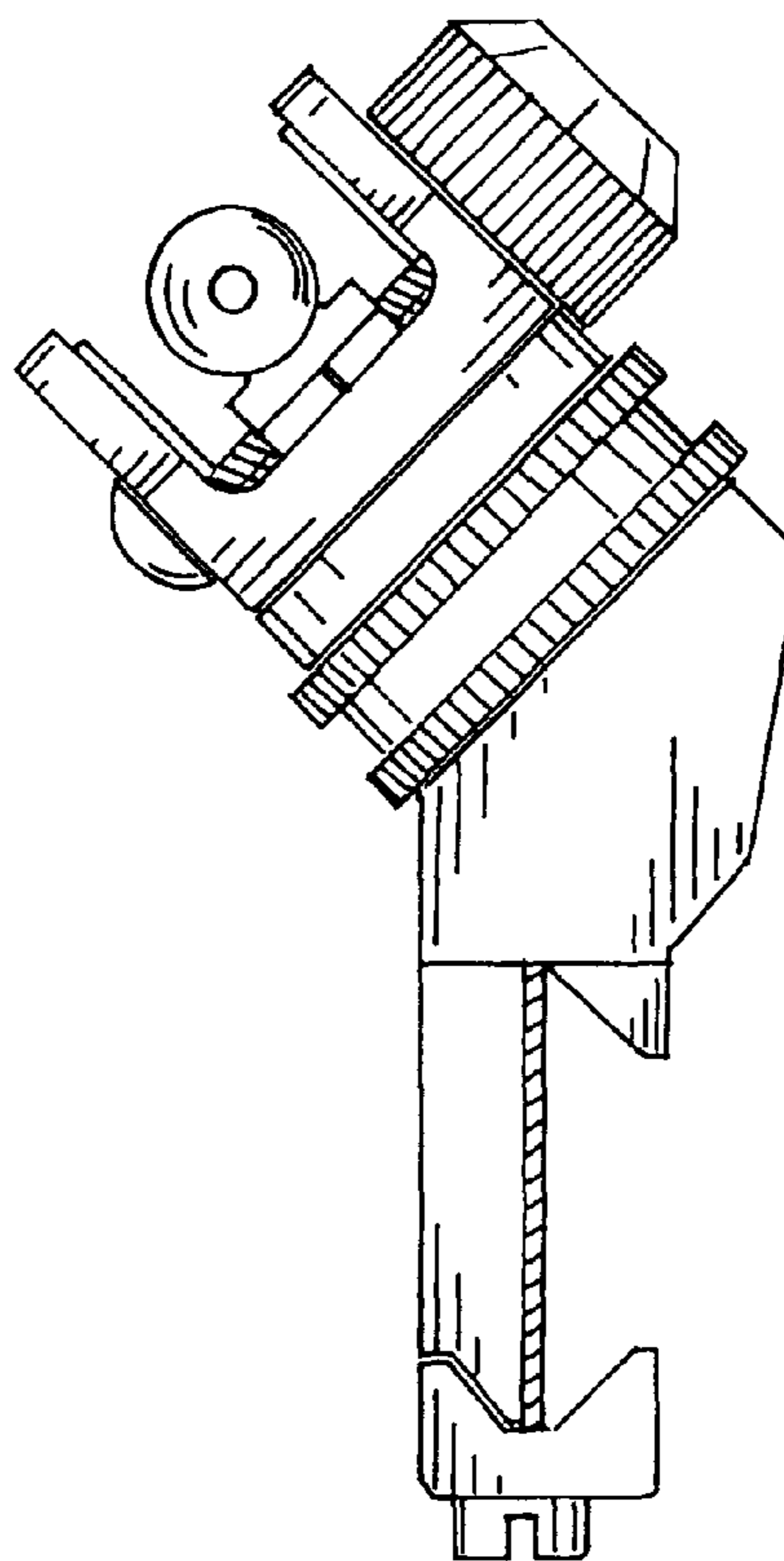


FIG. 5

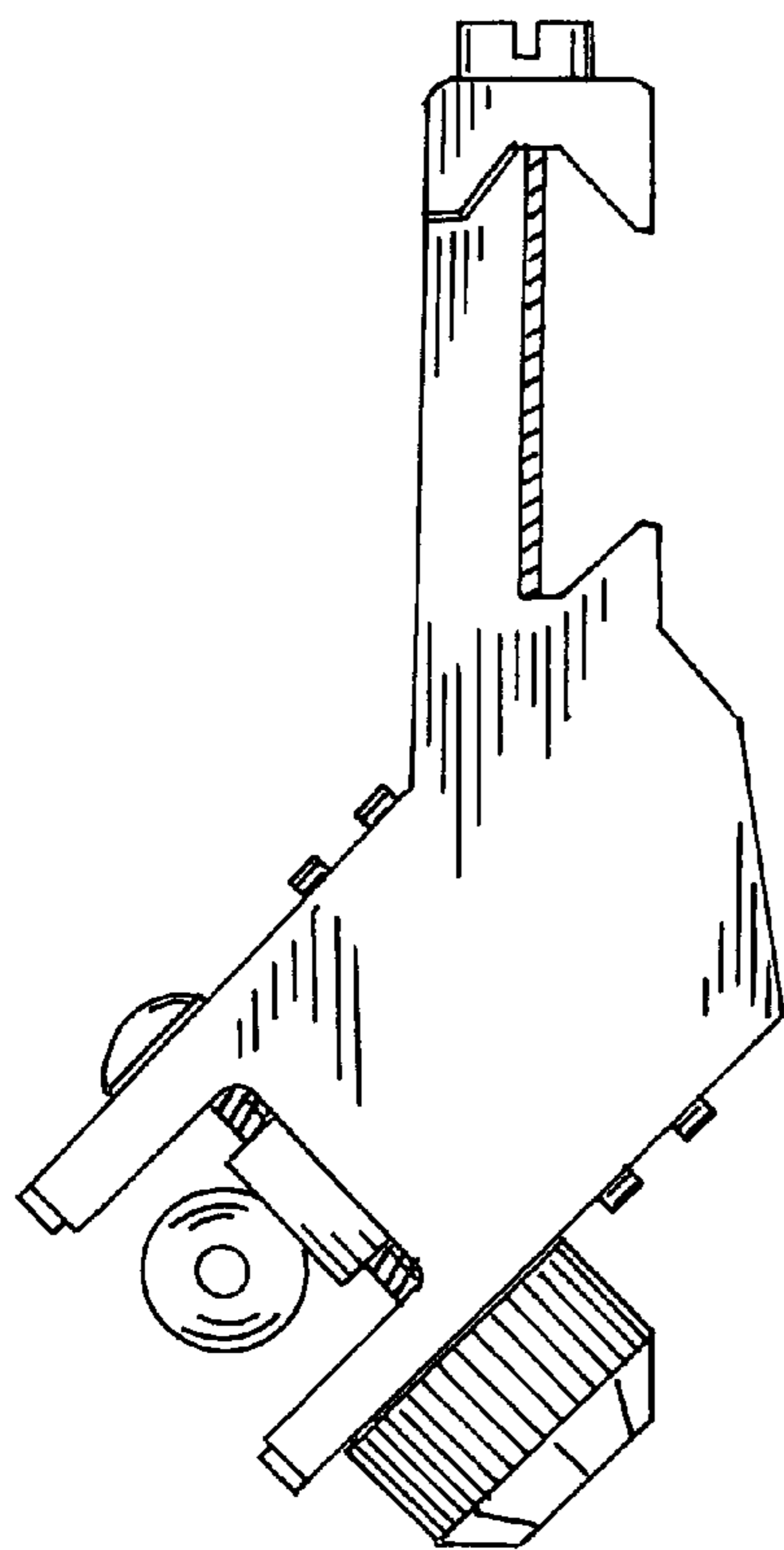


FIG. 6

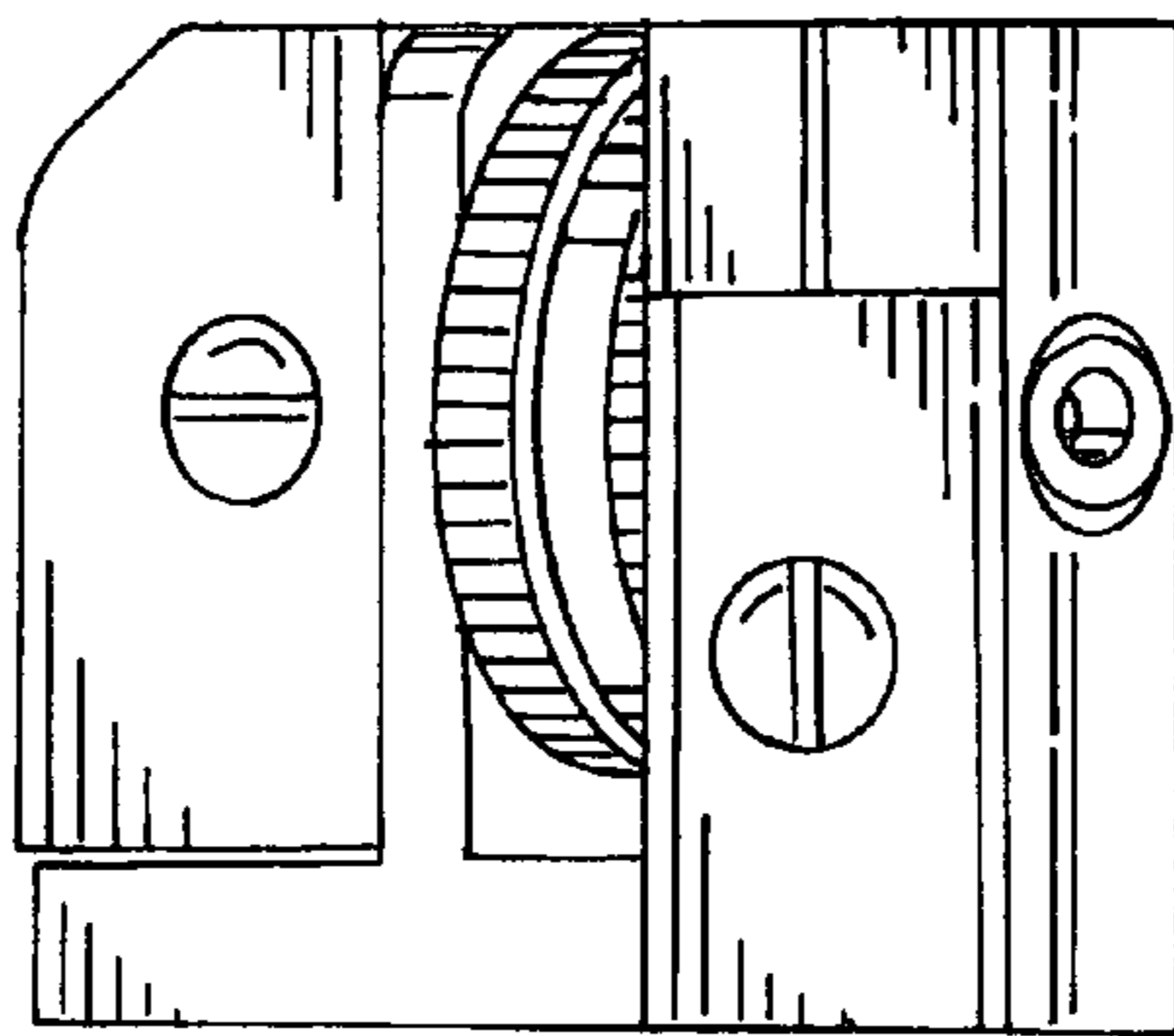


FIG. 7

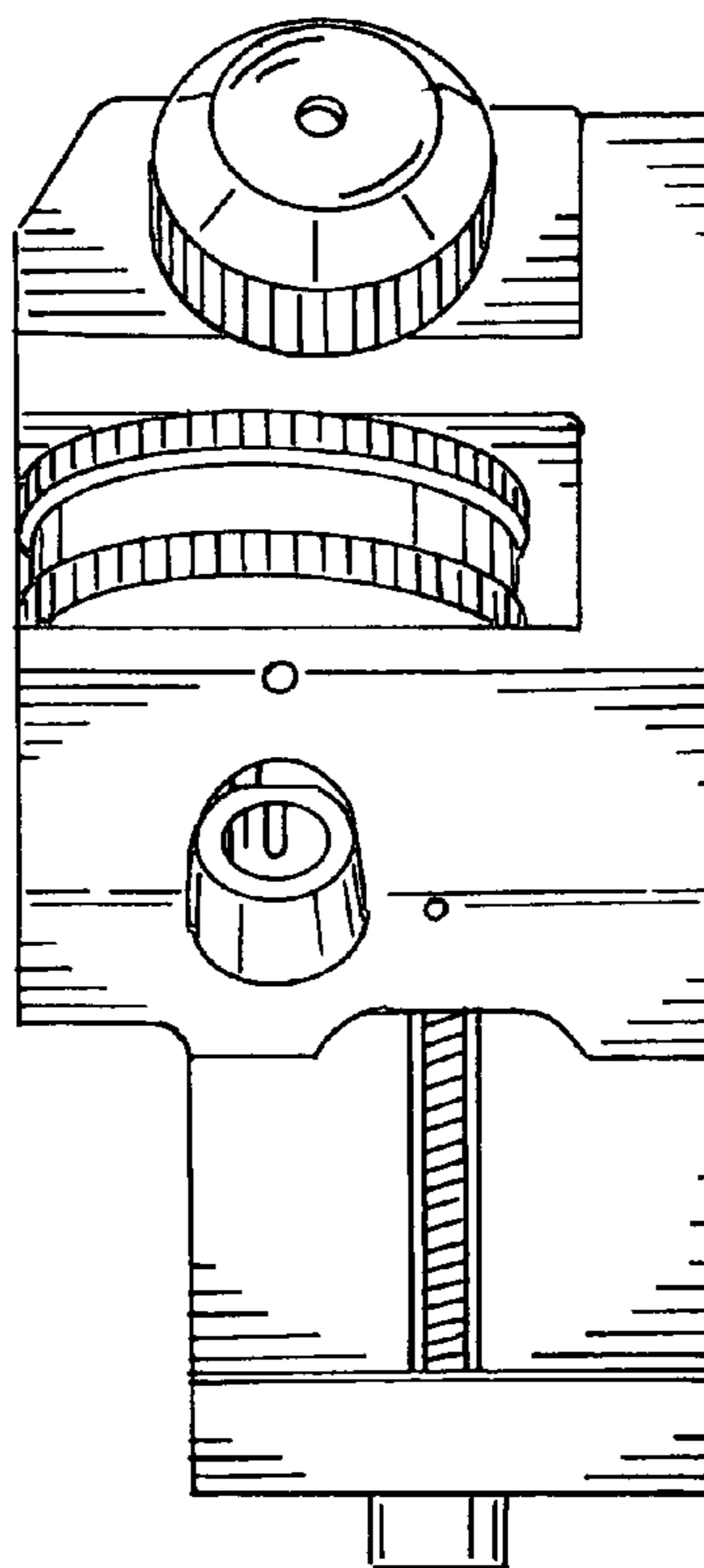


FIG. 8

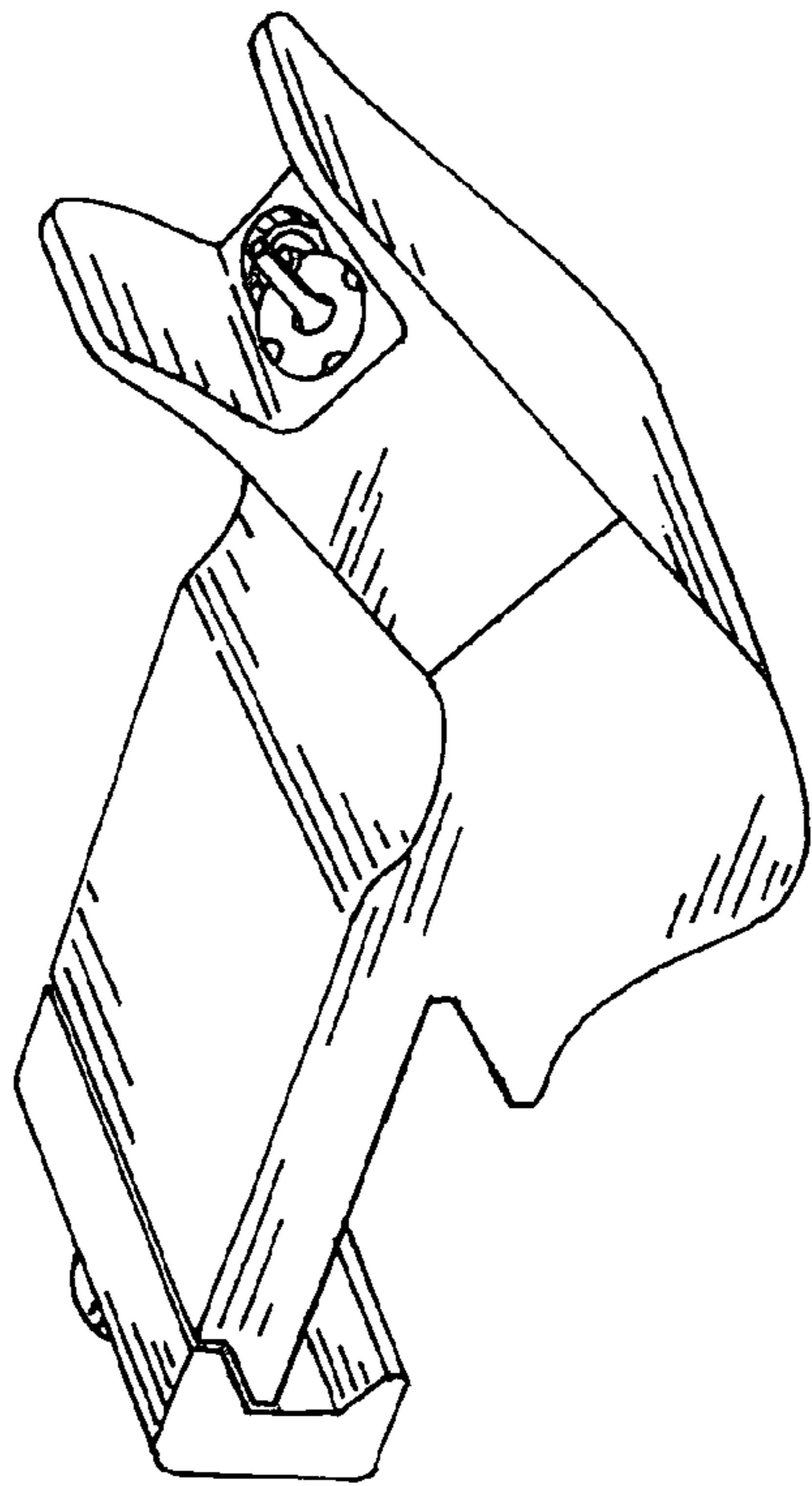


FIG. 9

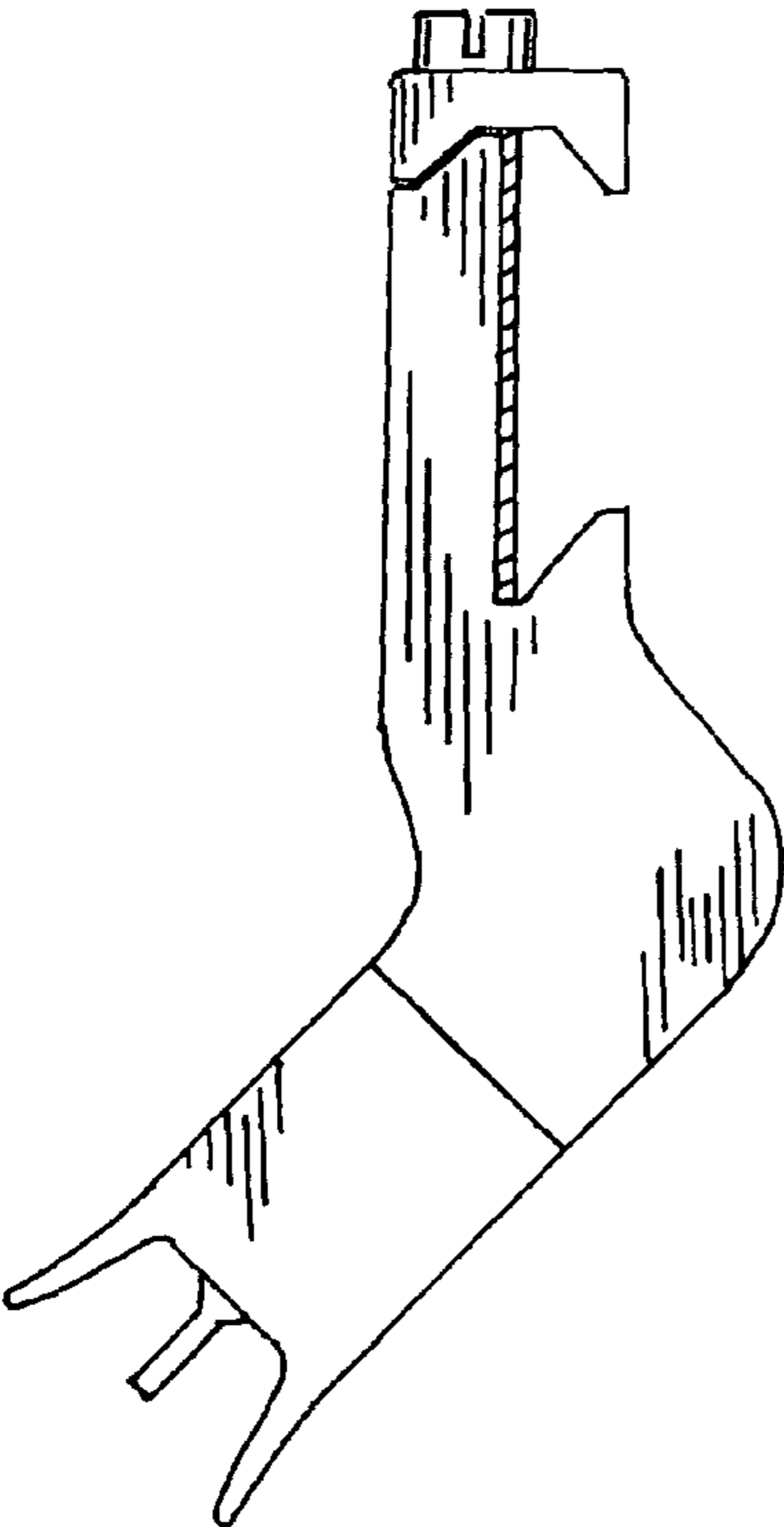


FIG. 10

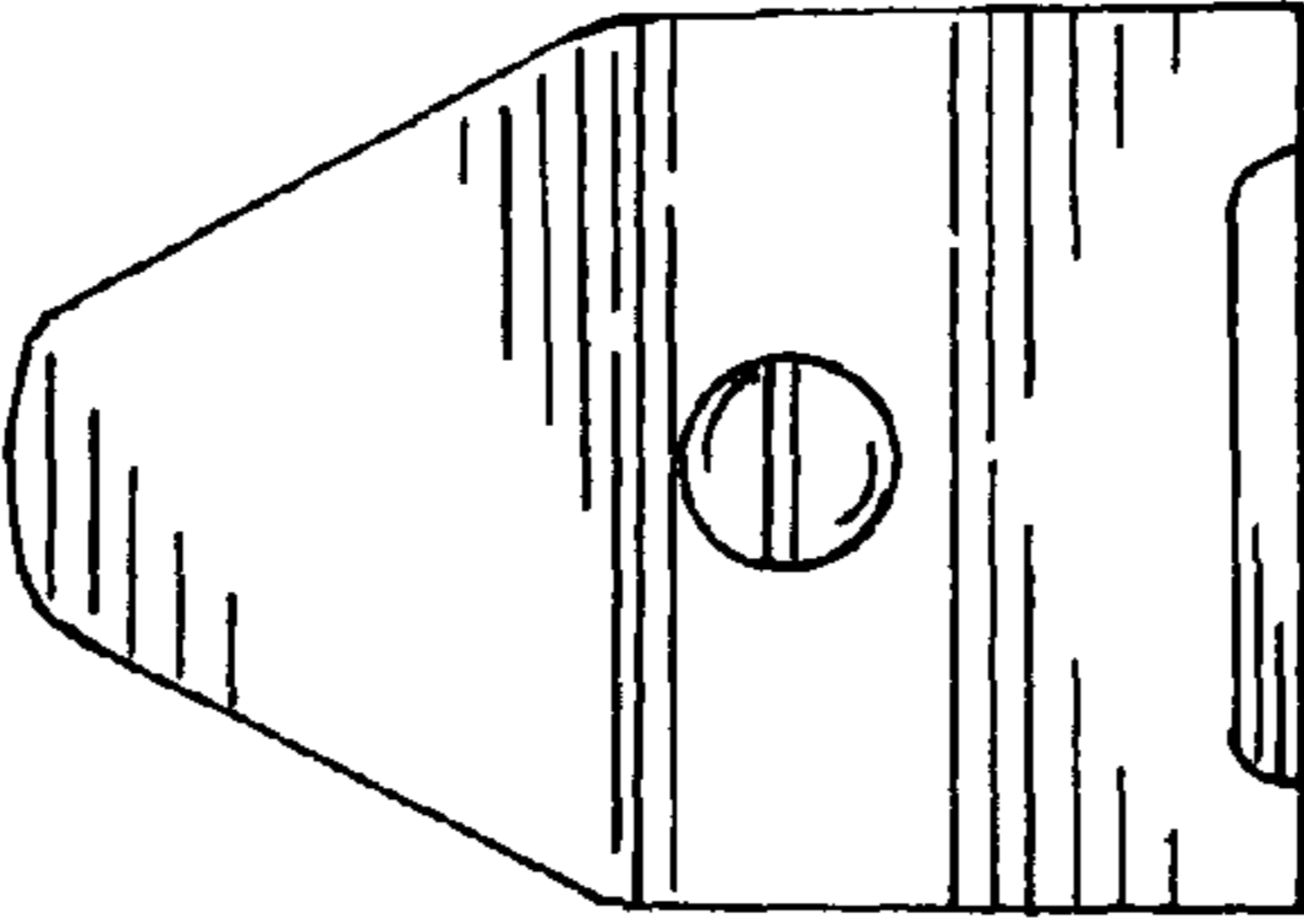


FIG. 11

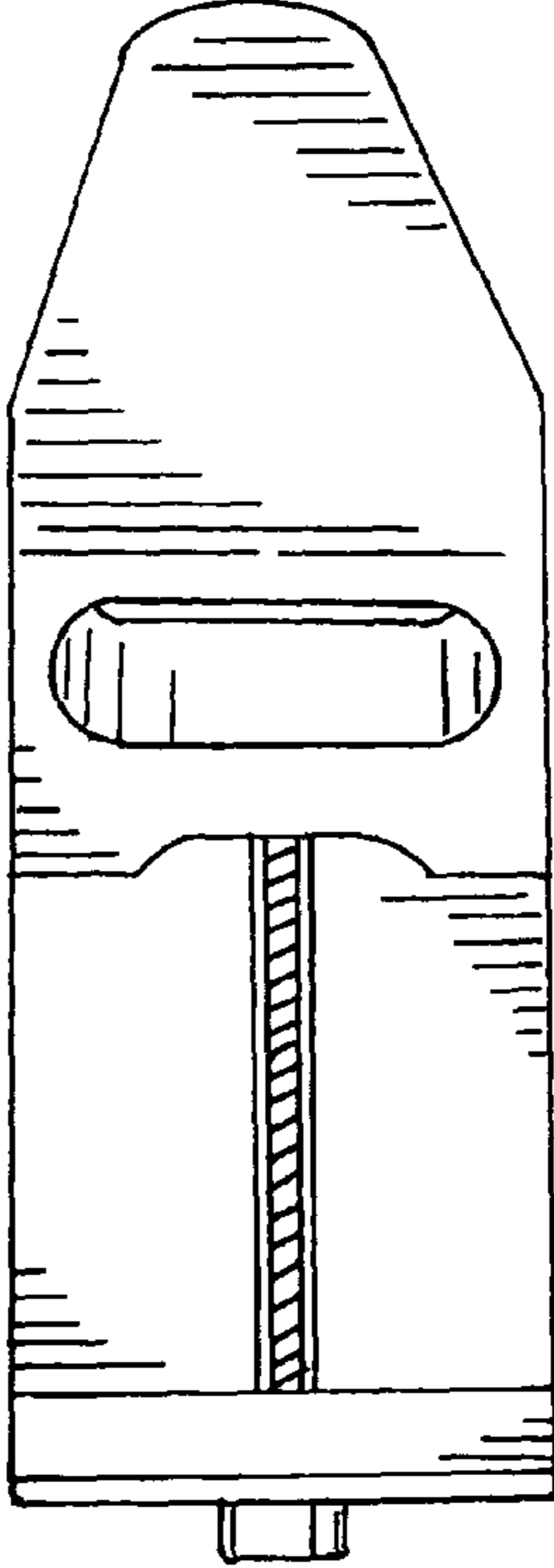


FIG. 12

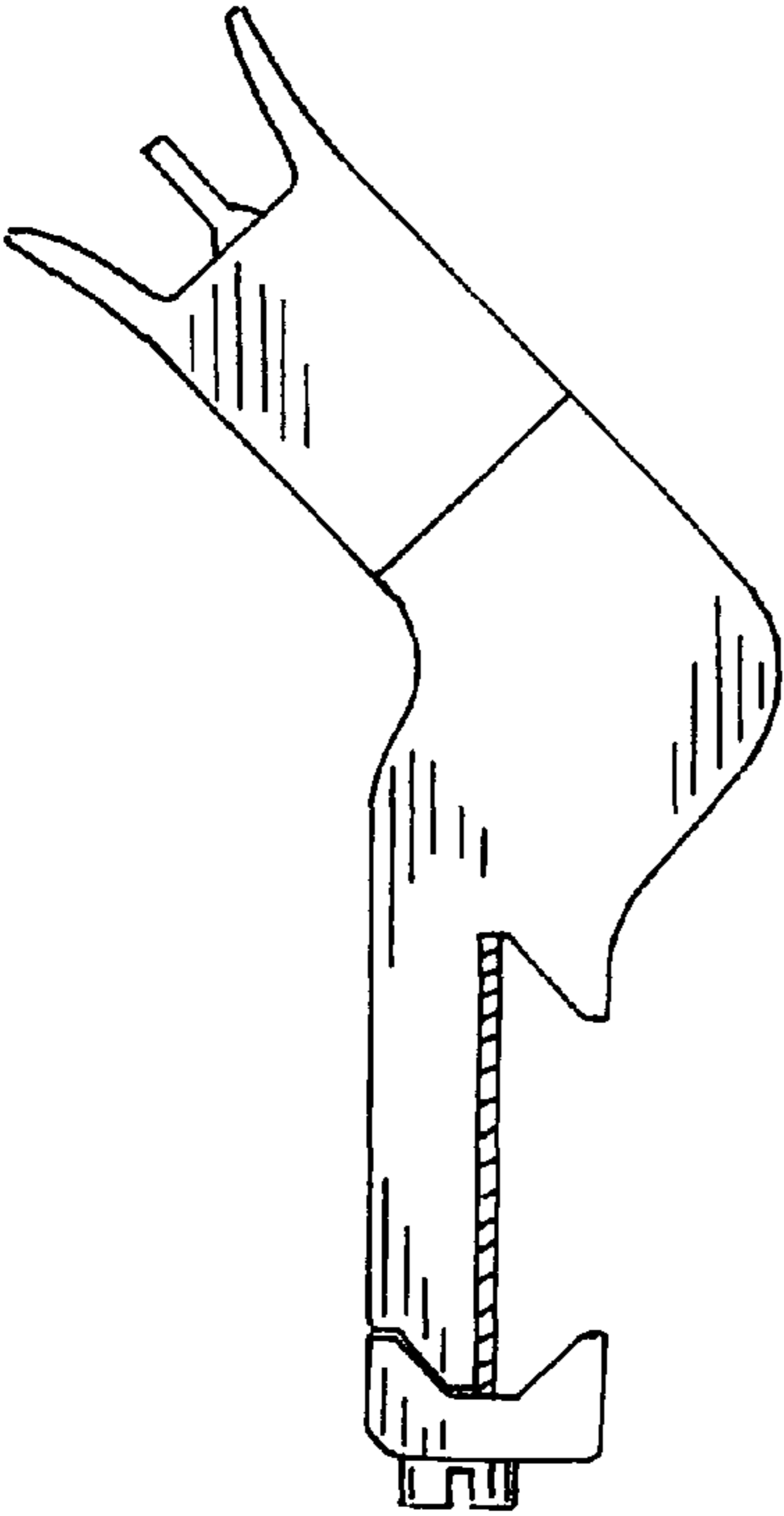


FIG. 13

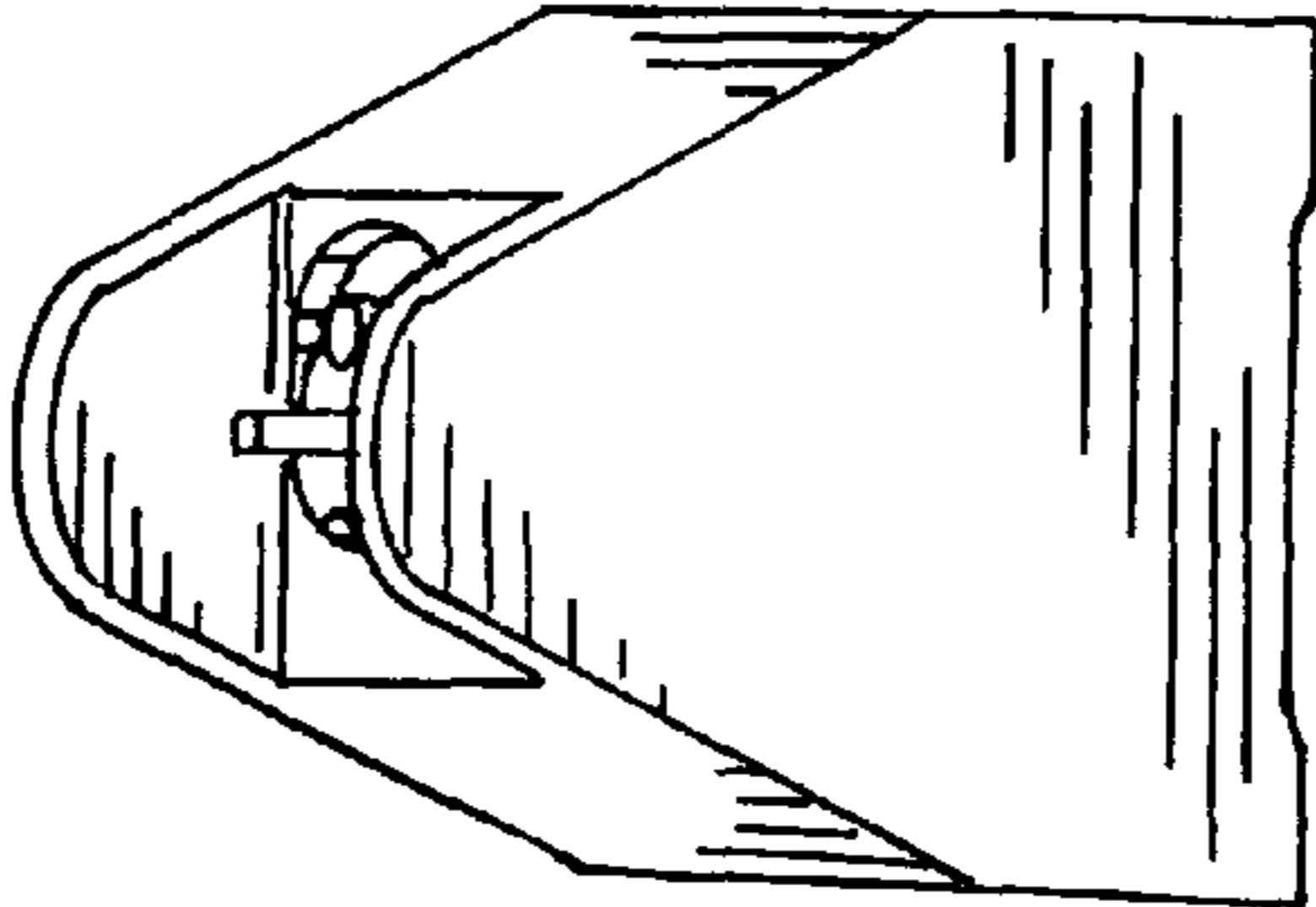


FIG. 14

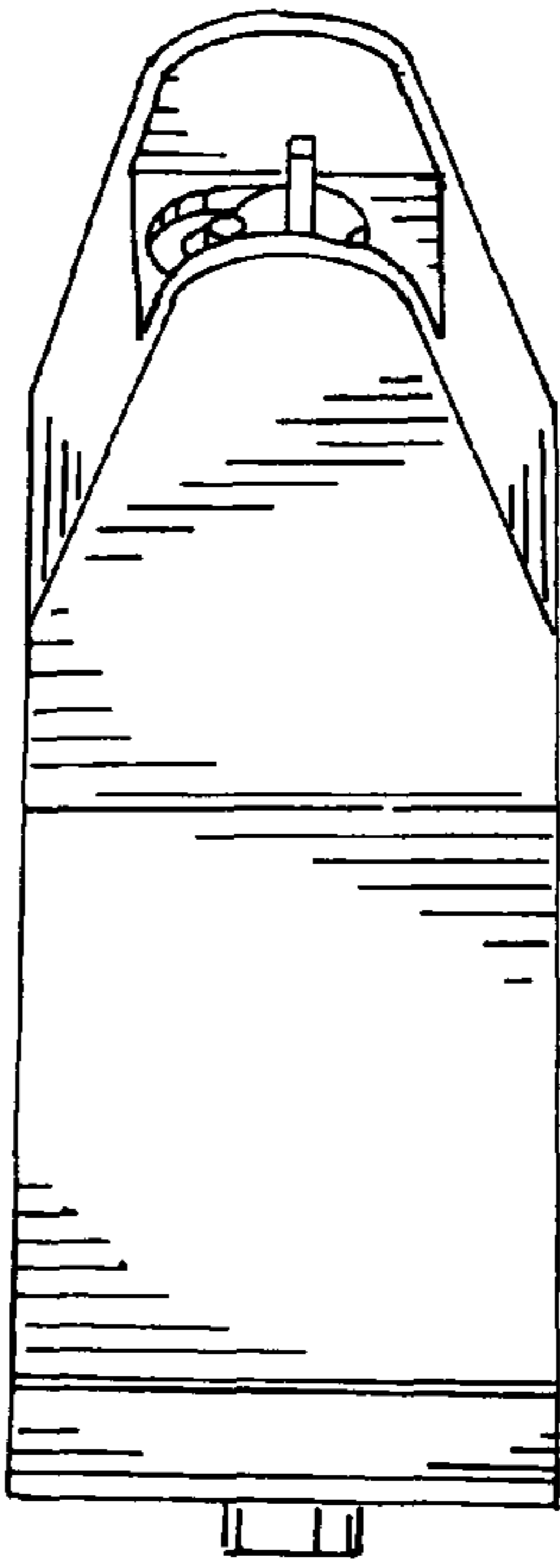


FIG. 15