



US00D647157S

(12) **United States Design Patent**  
**Errett**

(10) **Patent No.:** **US D647,157 S**

(45) **Date of Patent:** **\*\* Oct. 18, 2011**

(54) **ROLLER ROPE COCKER FOR A CROSSBOW**

(75) Inventor: **Robert O. Errett**, Staunton, VA (US)

(73) Assignee: **Parker Compound Bows, Inc.**, Mint Spring, VA (US)

(\*\*) Term: **14 Years**

(21) Appl. No.: **29/370,896**

(22) Filed: **Sep. 20, 2010**

(51) **LOC (9) Cl.** ..... **22-01**

(52) **U.S. Cl.** ..... **D22/107**

(58) **Field of Classification Search** ..... D22/107,  
D22/199; 124/23.1, 25.6, 86, 88; 446/572;  
D6/552; D8/44, 313, 342, 394; 473/583-586  
See application file for complete search history.

(56) **References Cited**

**U.S. PATENT DOCUMENTS**

5,243,956 A \* 9/1993 Luehring ..... 124/86

\* cited by examiner

*Primary Examiner* — T. Chase Nelson

*Assistant Examiner* — Michael Pratt

(74) *Attorney, Agent, or Firm* — Daniel L. Fitch, Esq.;  
Wharton Aldhizer & Weaver, PLC

(57) **CLAIM**

The ornamental design for roller rope cocker for a crossbow,  
as shown and described.

**DESCRIPTION**

FIG. 1 is a top perspective view of a roller rope cocker for a  
crossbow showing the new design.

FIG. 2 is a top view thereof;

FIG. 3 is a bottom view thereof;

FIG. 4 is a right side view thereof;

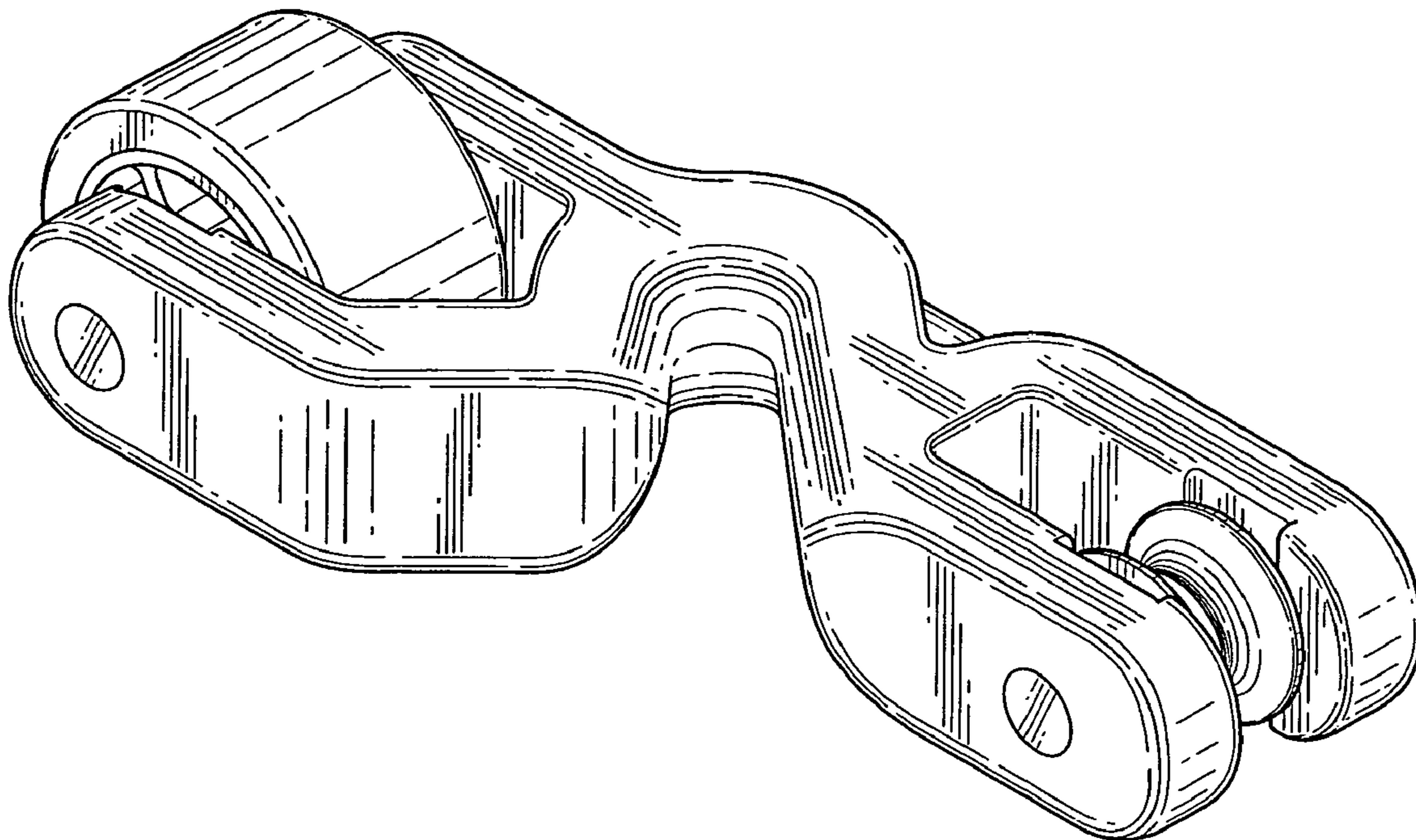
FIG. 5 is a left side view thereof;

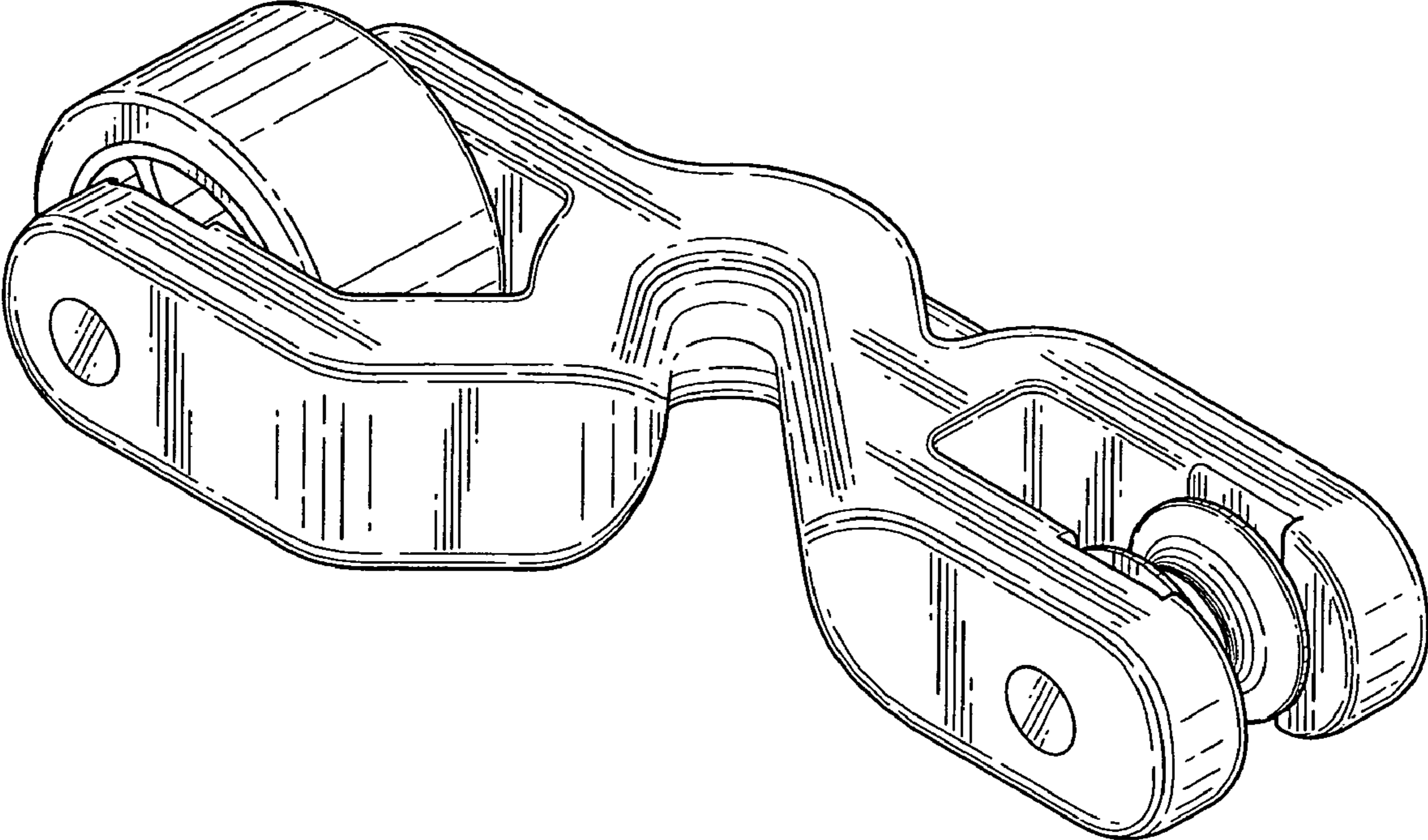
FIG. 6 is back view thereof; and,

FIG. 7 is a front view thereof.

The claimed roller rope cocker for a crossbow is used to  
mechanically assist the user in cocking the drawstring of a  
crossbow.

**1 Claim, 4 Drawing Sheets**





**FIG. 1**

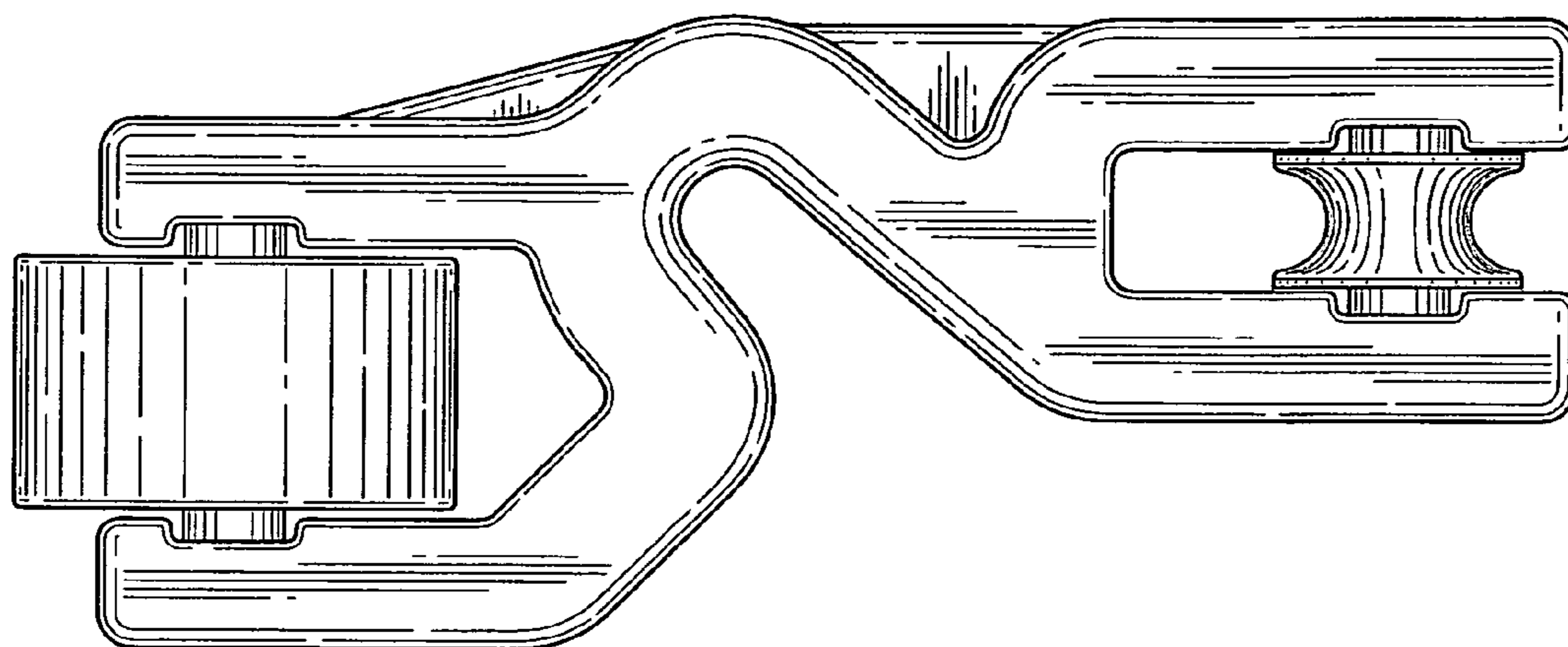


FIG. 2

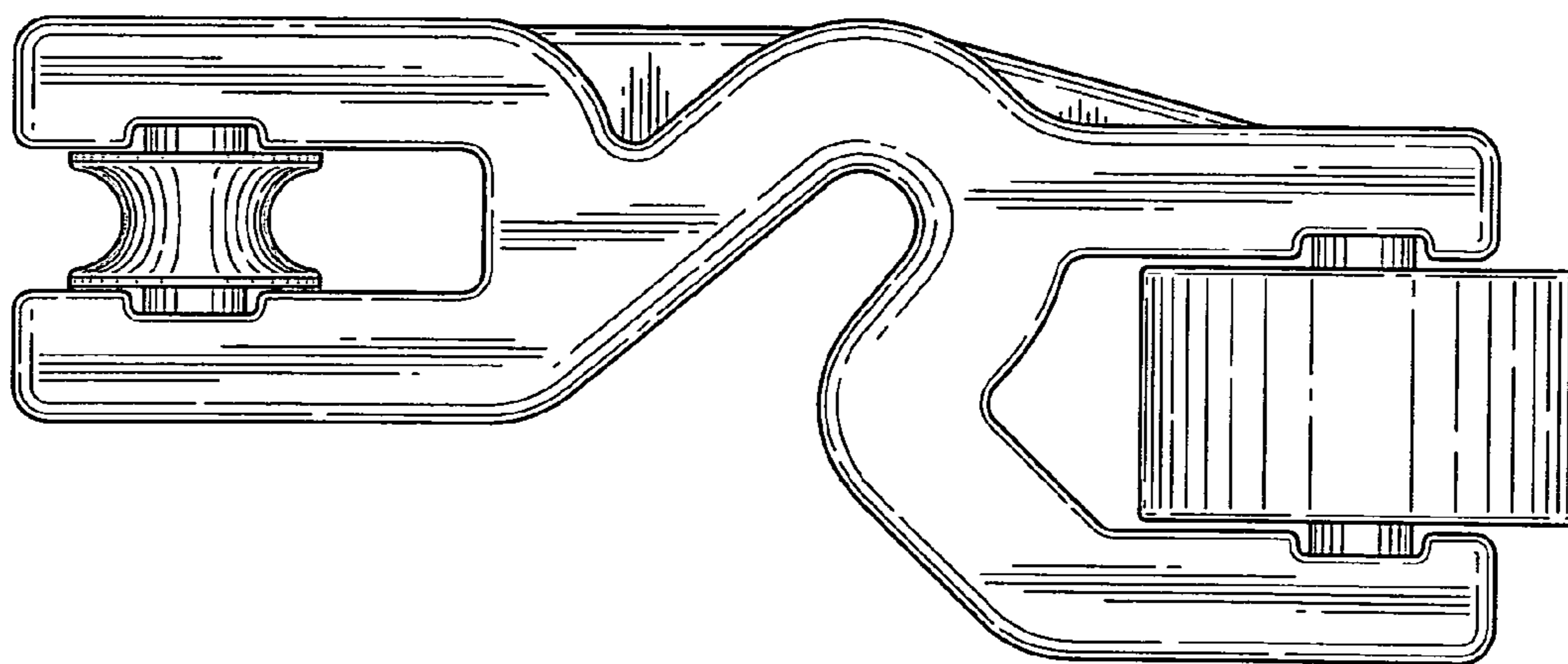


FIG. 3

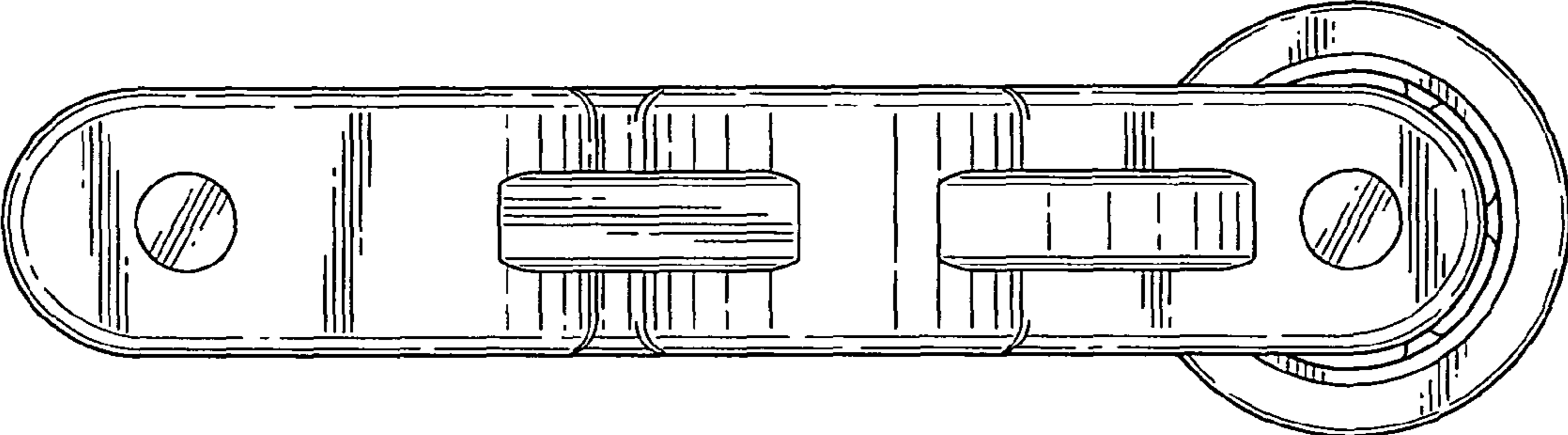


FIG. 4

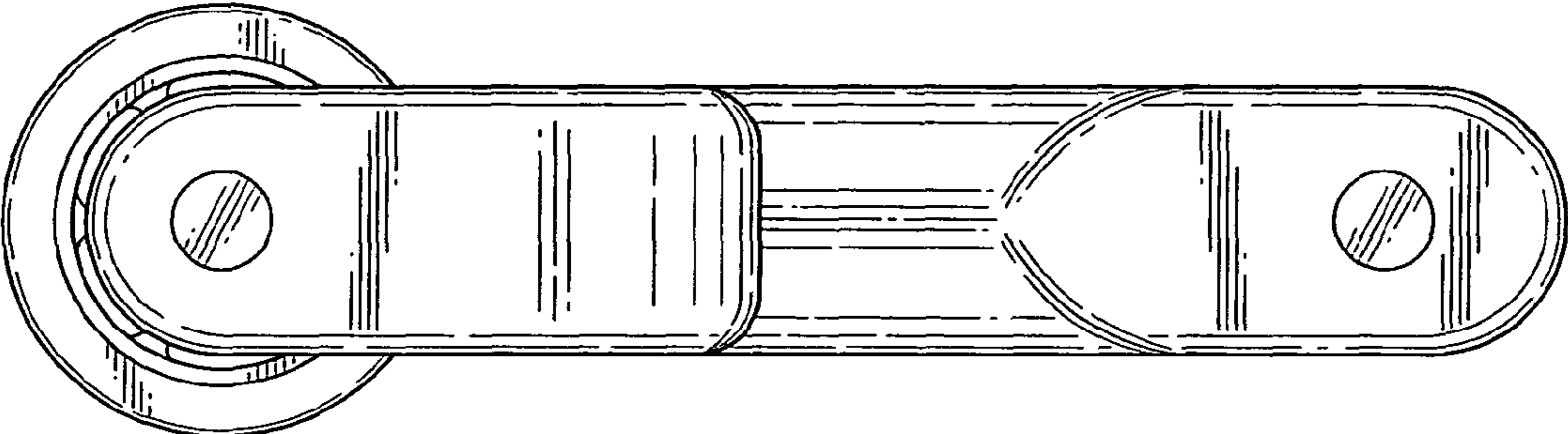
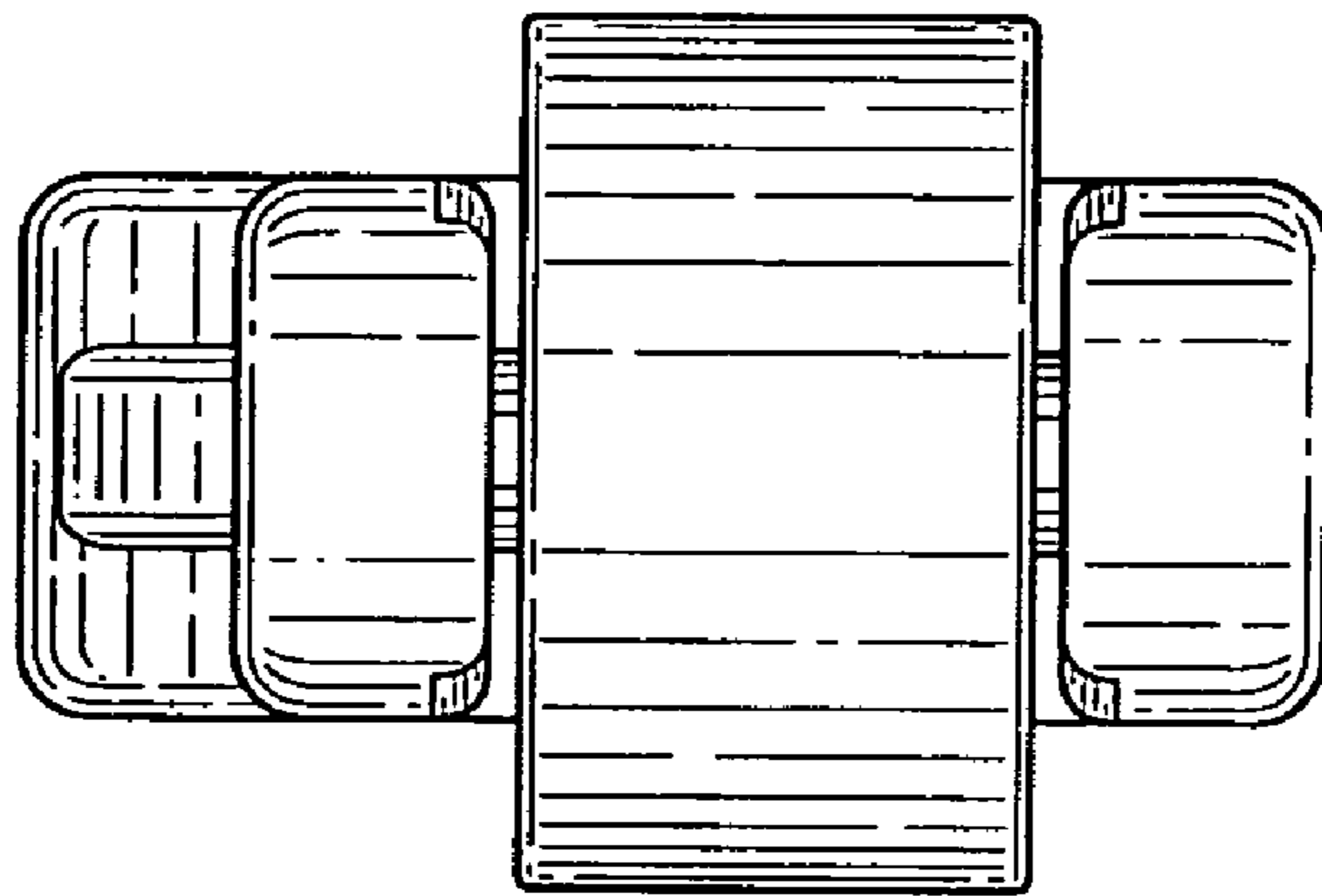
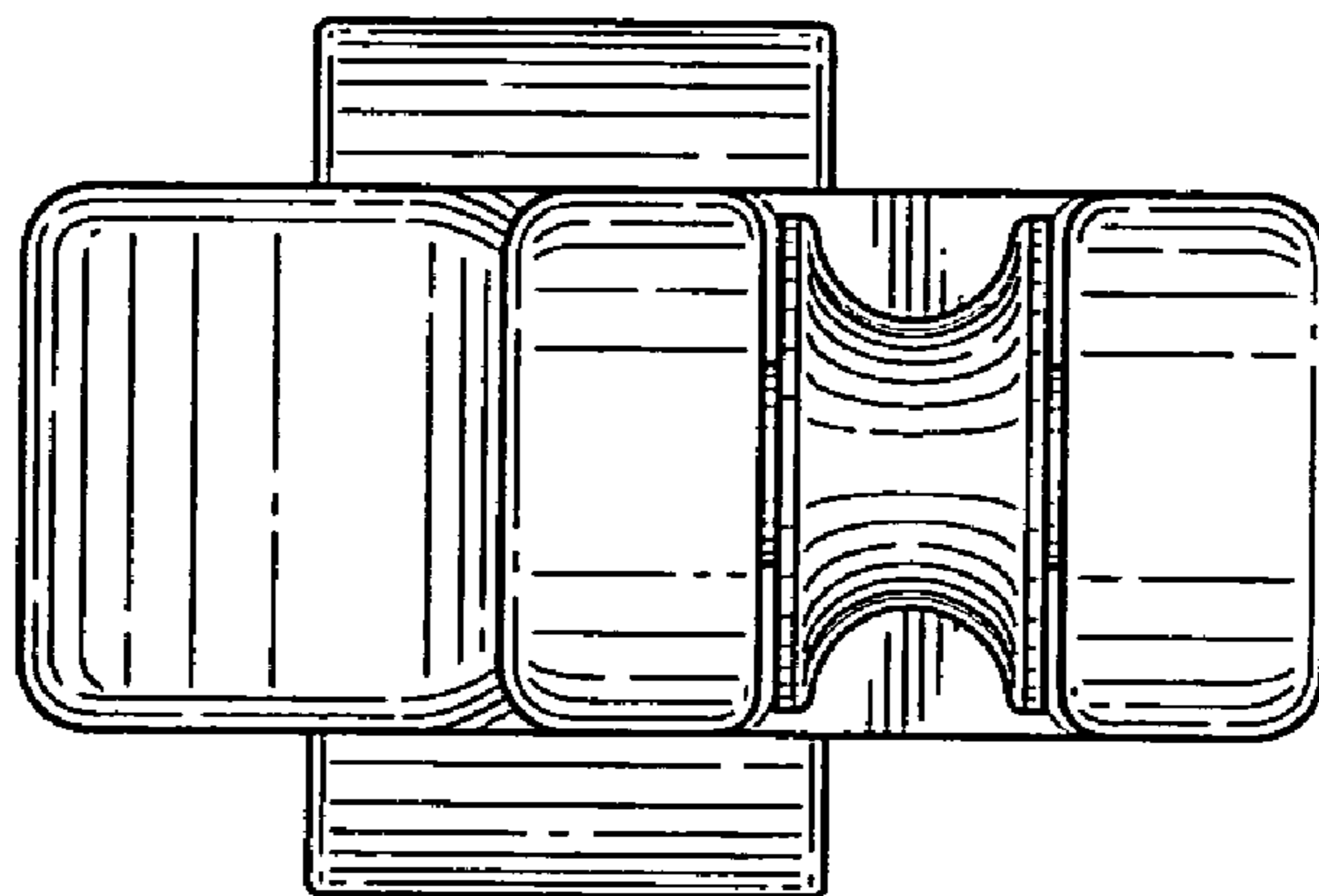


FIG. 5



**FIG. 6**



**FIG. 7**