



US00D647152S

(12) **United States Design Patent**
Sibley

(10) **Patent No.:** **US D647,152 S**

(45) **Date of Patent:** **** Oct. 18, 2011**

(54) **COMBINED POSTURE DEVELOPMENT AND EXERCISE DEVICE**

(76) Inventor: **John Sibley**, Knoxville, TN (US)

(**) Term: **14 Years**

(21) Appl. No.: **29/369,055**

(22) Filed: **Sep. 1, 2010**

(51) **LOC (9) Cl.** **21-02**

(52) **U.S. Cl.** **D21/679**

(58) **Field of Classification Search** D21/662,
D21/679-682, 694; 482/44, 49, 62, 91-94,
482/106-107, 109, 121, 122, 126, 128, 140,
482/148; D3/7; D8/303; D24/190, 211
See application file for complete search history.

(56) **References Cited**

U.S. PATENT DOCUMENTS

1,733,349	A	2/1926	Koeber	
1,956,498	A *	4/1934	Duke	482/126
2,528,213	A *	10/1950	Dantolan	482/93
D162,337	S *	3/1951	O’Gattly	D24/190
2,973,030	A	2/1961	Matthewson	
3,544,106	A *	12/1970	Barrett	482/126
3,608,541	A	9/1971	Hall et al.	
D227,022	S *	5/1973	Martin	D21/679
3,761,083	A *	9/1973	Buchner	482/126
D234,309	S *	2/1975	Buchner	D21/679
3,945,376	A	3/1976	Kuehnegger	
4,175,548	A	11/1979	Henry	
D263,327	S *	3/1982	Cooper	D21/679
D278,548	S *	4/1985	Backstrom	D21/679
4,541,419	A	9/1985	Osawa	
D289,538	S *	4/1987	Wilson	D21/679

D290,485	S *	6/1987	Suponitsky	D21/681
D324,894	S *	3/1992	Porcello	D21/679
5,199,940	A	4/1993	Morris et al.	
5,254,063	A *	10/1993	House, Jr.	482/107
5,445,647	A	8/1995	Choy	
5,503,620	A	4/1996	Danzger	
5,840,051	A	11/1998	Towsley	
D405,851	S *	2/1999	McBride	D21/662
5,876,361	A	3/1999	Harris	
D526,367	S *	8/2006	Loccarini et al.	D21/662
D556,841	S *	12/2007	Oates	D21/679
7,722,510	B2 *	5/2010	Jhu	482/106
2007/0135275	A1 *	6/2007	Oates	482/109
2009/0215592	A1 *	8/2009	Jhu	482/110

* cited by examiner

Primary Examiner — Susan E Krakower

(74) *Attorney, Agent, or Firm* — Pitts, Lake & Bell, PC

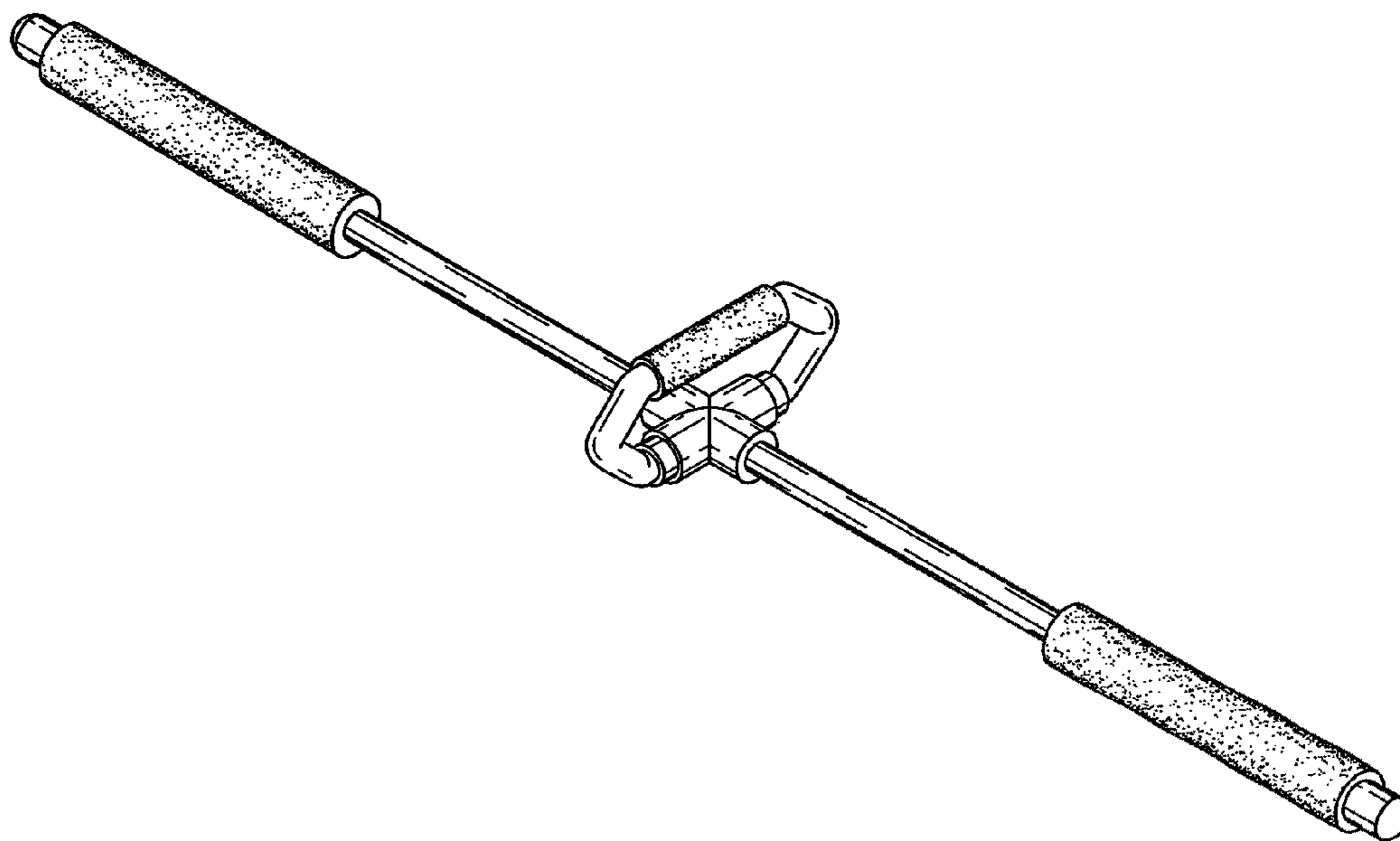
(57) **CLAIM**

I claim the ornamental design for a combined posture development and exercise device, as shown and described.

DESCRIPTION

FIG. 1 is a perspective view of a combined posture development and exercise device showing my new design; FIG. 2 is a top plan view of the combined posture development and exercise device of FIG. 1; FIG. 3 is a bottom plan view of the combined posture development and exercise device of FIG. 1; FIG. 4 is a side elevation view of the combined posture development and exercise device of FIG. 1; and, FIG. 5 is an end elevation view of the combined posture development and exercise device of FIG. 1.

1 Claim, 3 Drawing Sheets



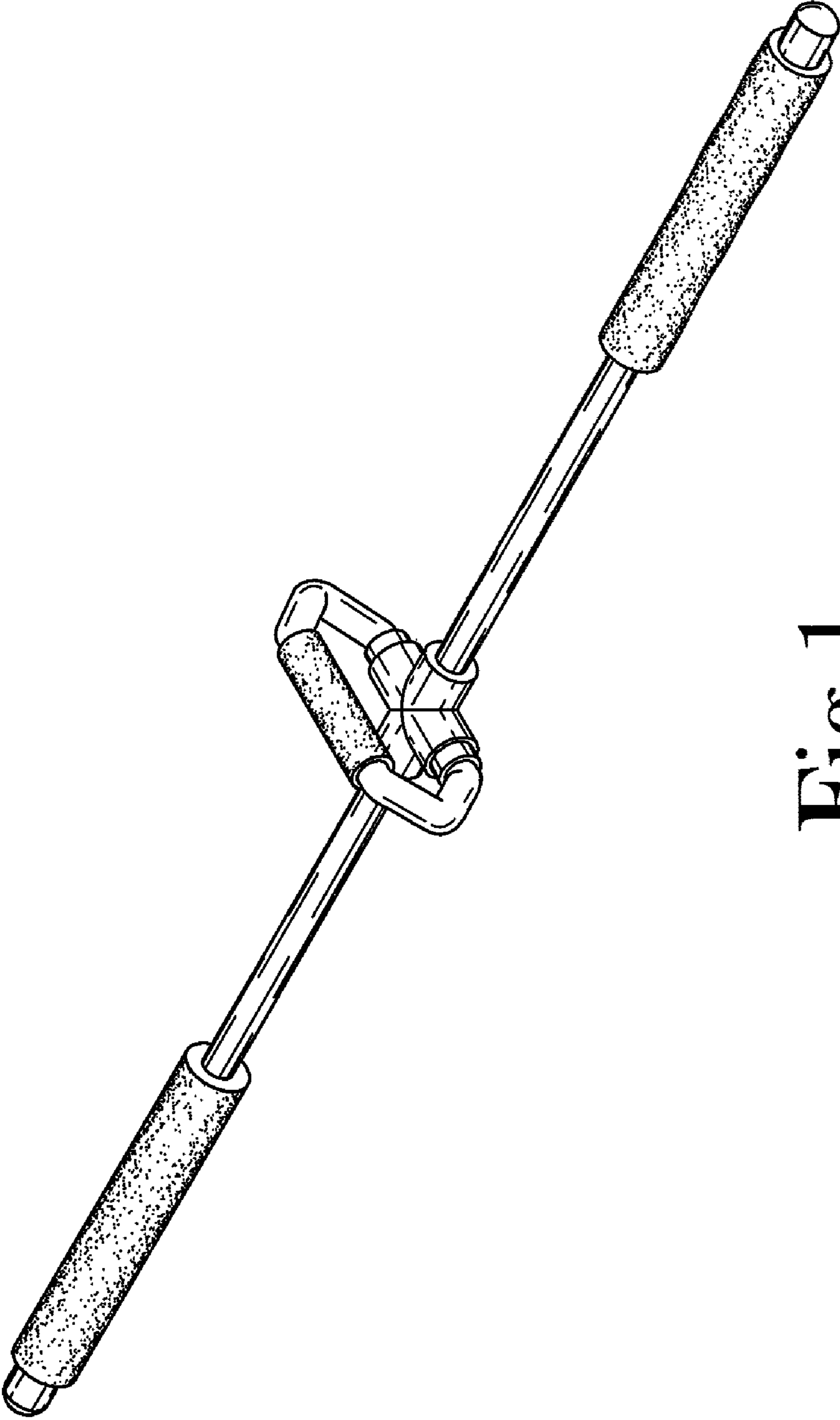


Fig. 1

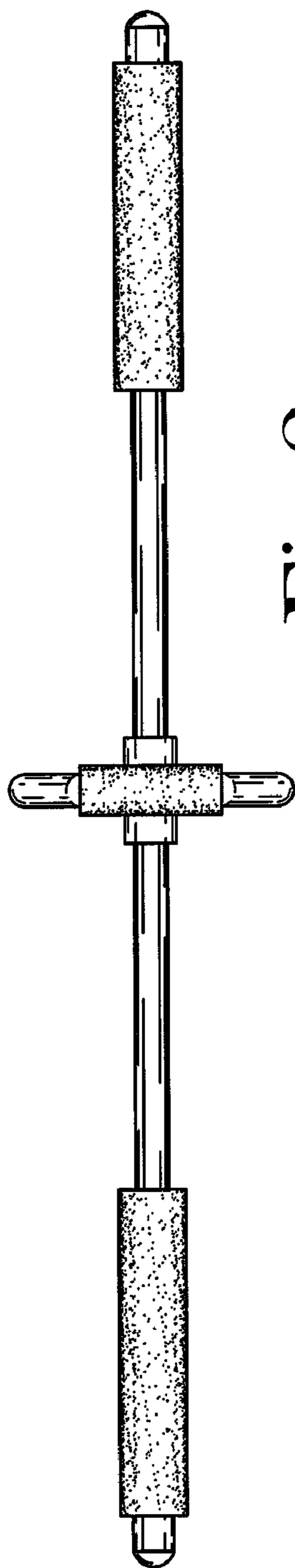


Fig. 2

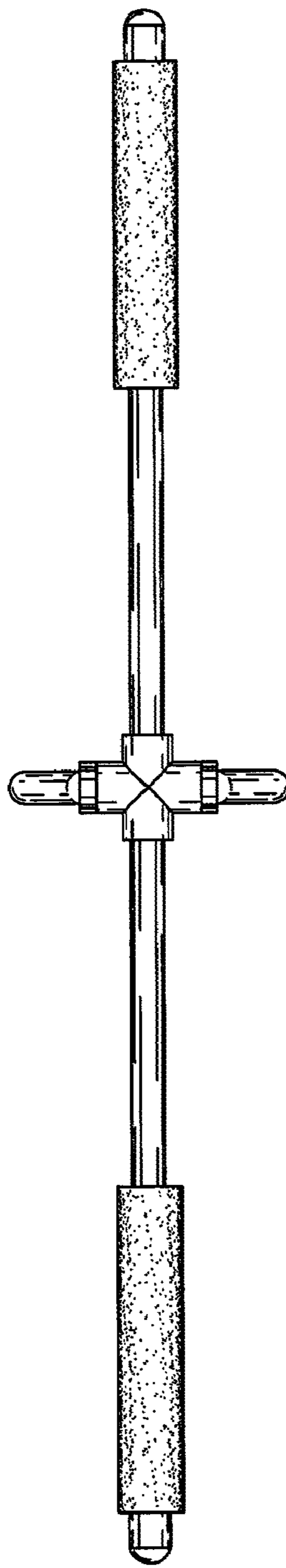


Fig. 3

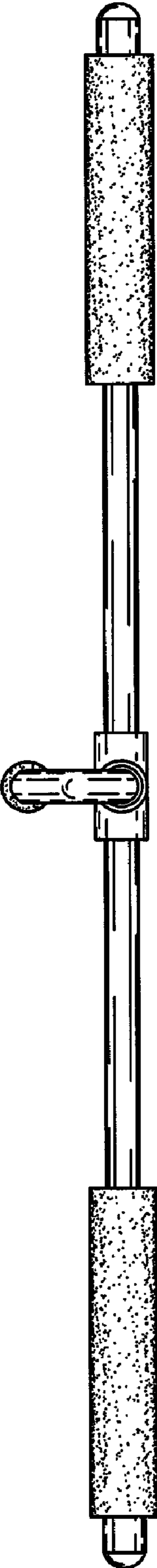


Fig. 4

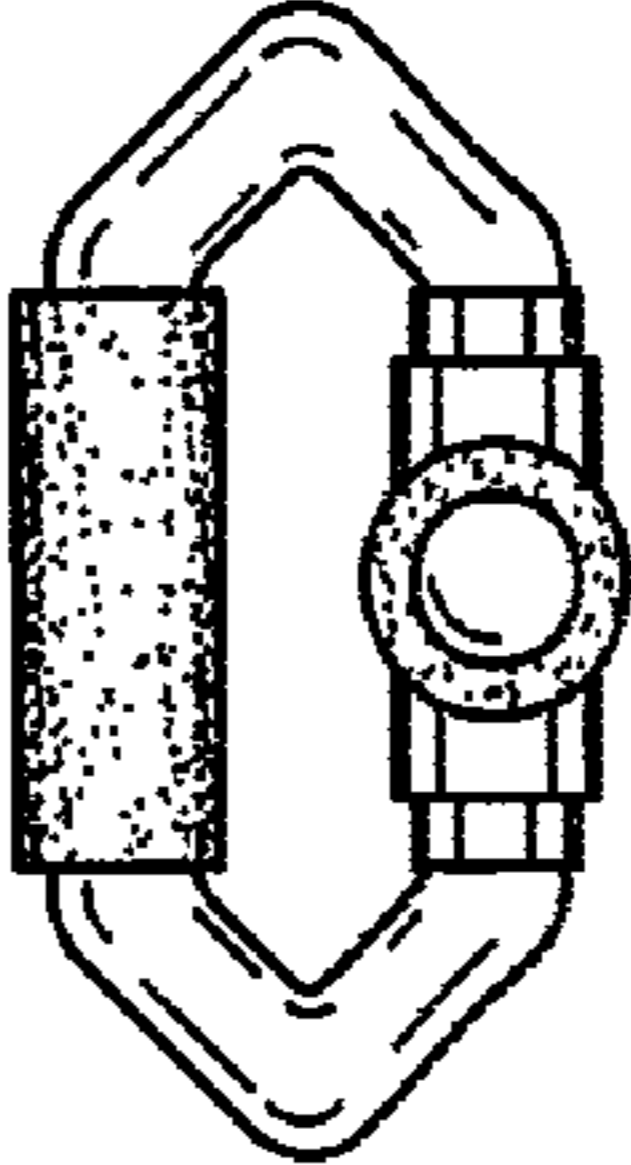


Fig. 5