



US00D647151S

(12) **United States Design Patent**
Van Straaten

(10) **Patent No.:** **US D647,151 S**

(45) **Date of Patent:** **** Oct. 18, 2011**

(54) **EXERCISE MACHINE**

(76) **Inventor:** **Willem Johannes Van Straaten,**
Johannesburg (ZA)

(**) **Term:** **14 Years**

(21) **Appl. No.:** **29/364,761**

(22) **Filed:** **Jun. 28, 2010**

(51) **LOC (9) Cl.** **21-02**

(52) **U.S. Cl.** **D21/676; D21/690**

(58) **Field of Classification Search** D21/662,
D21/674, 676, 688, 689, 694, 695; 482/51,
482/94, 96, 121, 123, 126, 130, 133, 137,
482/140, 142; D6/367

See application file for complete search history.

(56) **References Cited**

U.S. PATENT DOCUMENTS

5,232,426	A *	8/1993	Van Straaten	482/123
D389,205	S *	1/1998	van Straaten	D21/690
5,718,659	A *	2/1998	Van Straaten	482/130
D398,669	S *	9/1998	Anderson et al.	D21/662
D432,600	S *	10/2000	Szabo et al.	D21/662
6,379,289	B1 *	4/2002	Gossie	482/142
D491,618	S *	6/2004	Kuo et al.	D21/676
7,476,188	B2 *	1/2009	Perez, Jr.	482/142

D604,373	S *	11/2009	Dalebout et al.	D21/687
7,621,860	B2 *	11/2009	Burrell	482/142
7,641,605	B2 *	1/2010	McCarter	482/142
7,811,215	B2 *	10/2010	Wallach	482/130
2009/0170673	A1 *	7/2009	Barretta	482/130

* cited by examiner

Primary Examiner — Susan E Krakower

(74) *Attorney, Agent, or Firm* — Wenderoth, Lind & Ponack,
L.L.P.

(57) **CLAIM**

The ornamental design for an exercise machine, as shown and described.

DESCRIPTION

FIG. 1 is a perspective view of the exercise machine;
FIG. 2 is a view from one side of the exercise machine;
FIG. 3 is a view from an opposing side of the exercise machine;
FIG. 4 is a top plan view of the exercise machine;
FIG. 5 is a bottom plan view of the exercise machine;
FIG. 6 is a front view of the exercise machine; and,
FIG. 7 is a rear view of the exercise machine.

The broken lines show environmental elements and form no part of the claimed design.

1 Claim, 4 Drawing Sheets

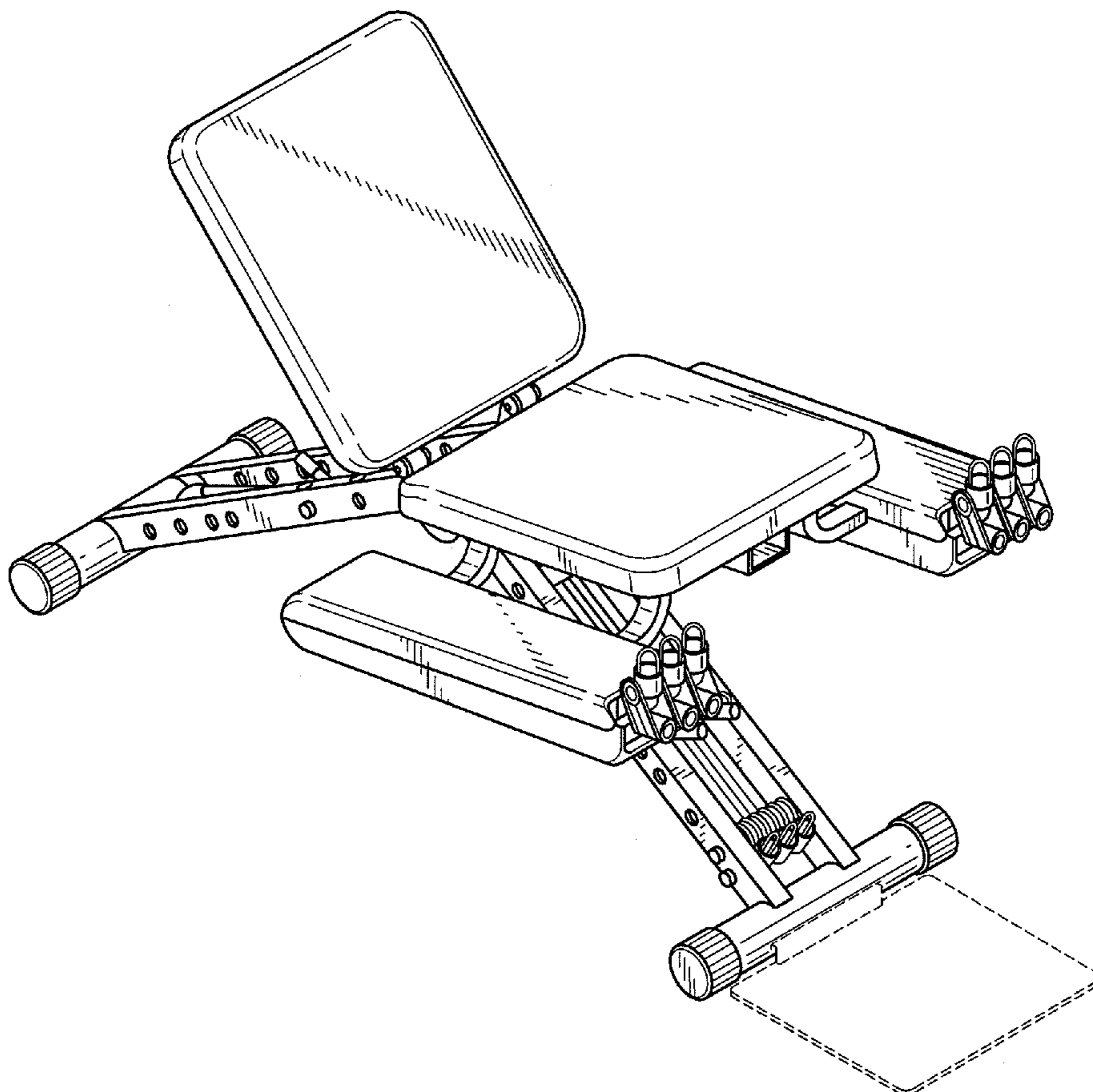


FIG. 1

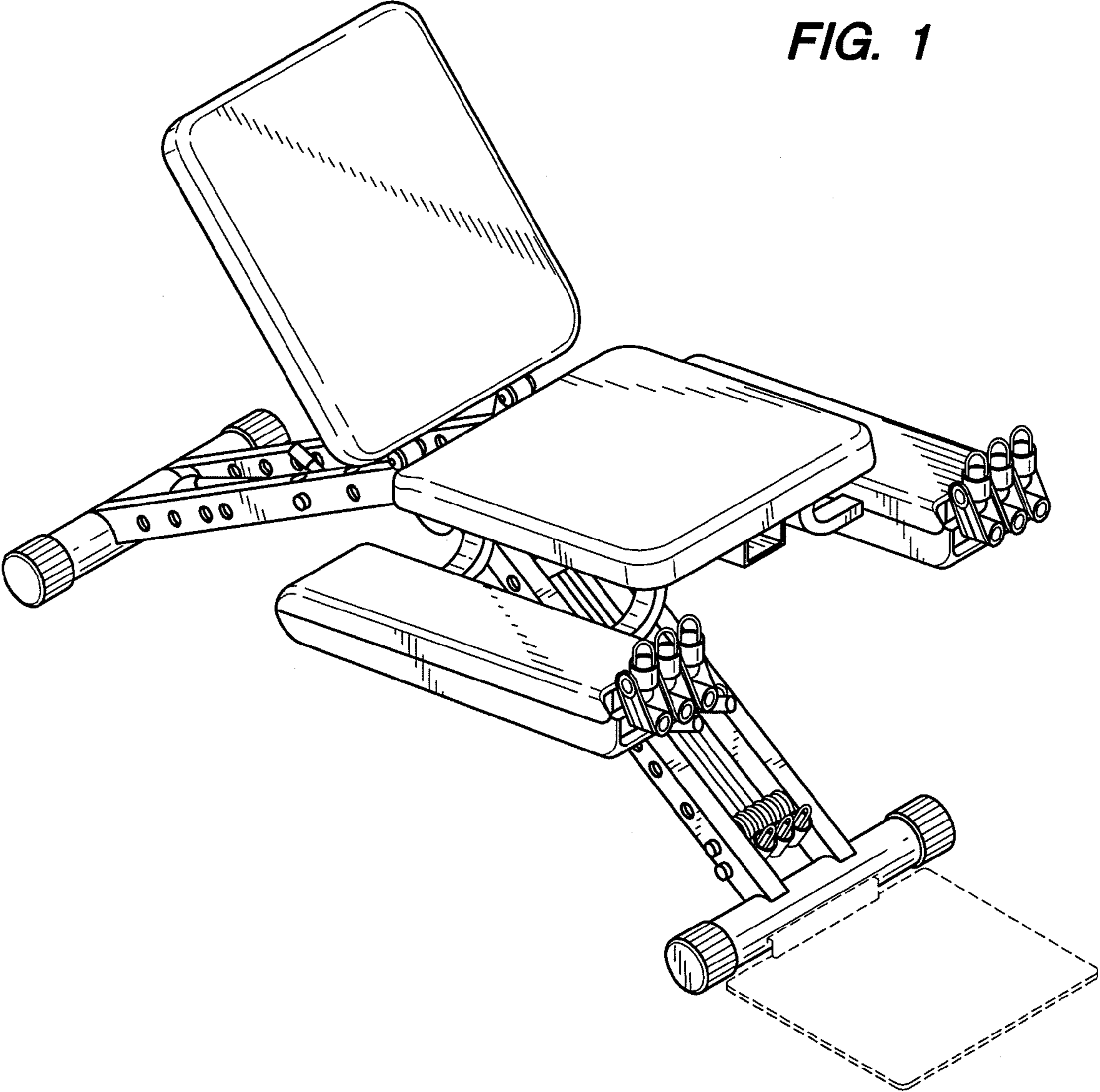


FIG. 2

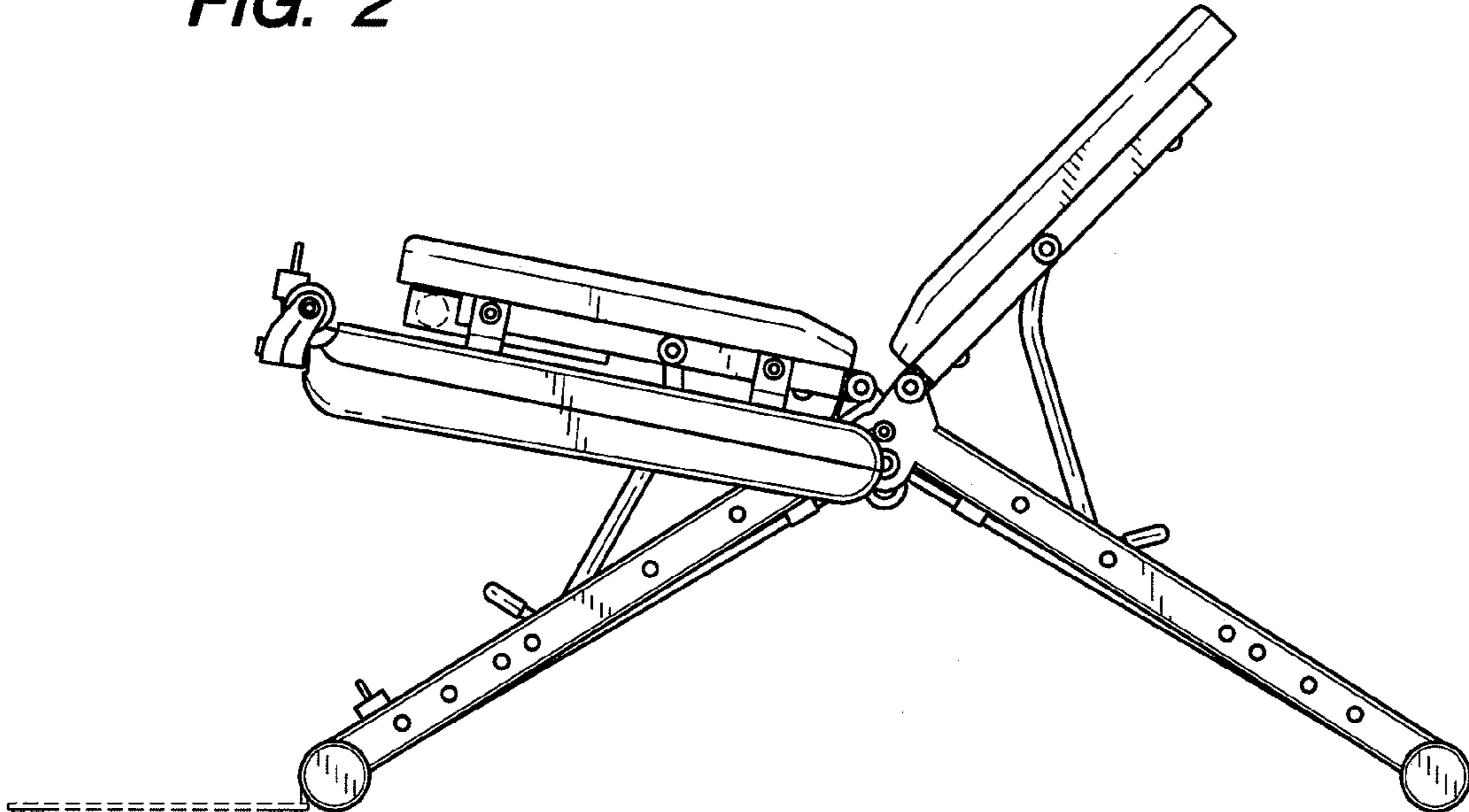
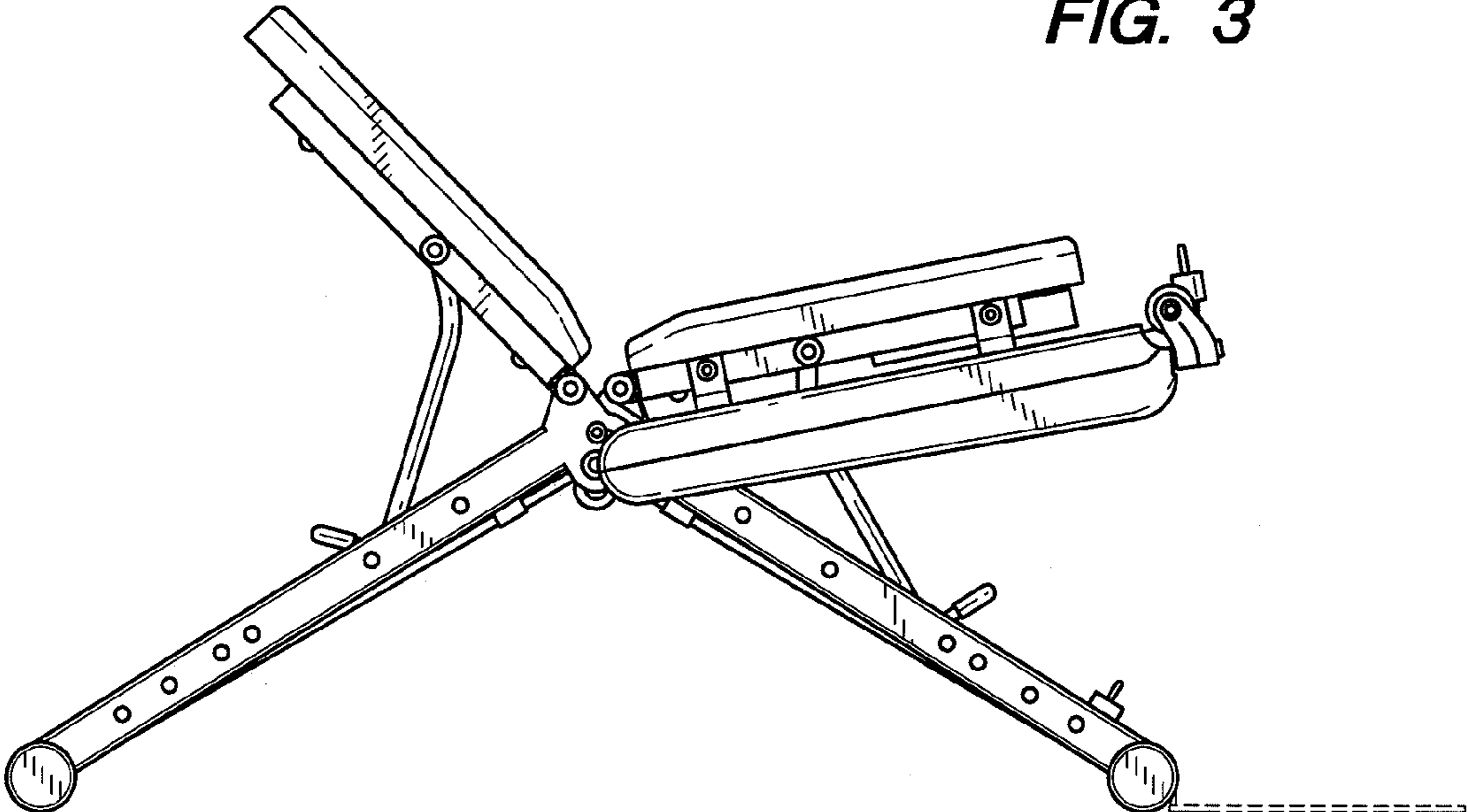


FIG. 3



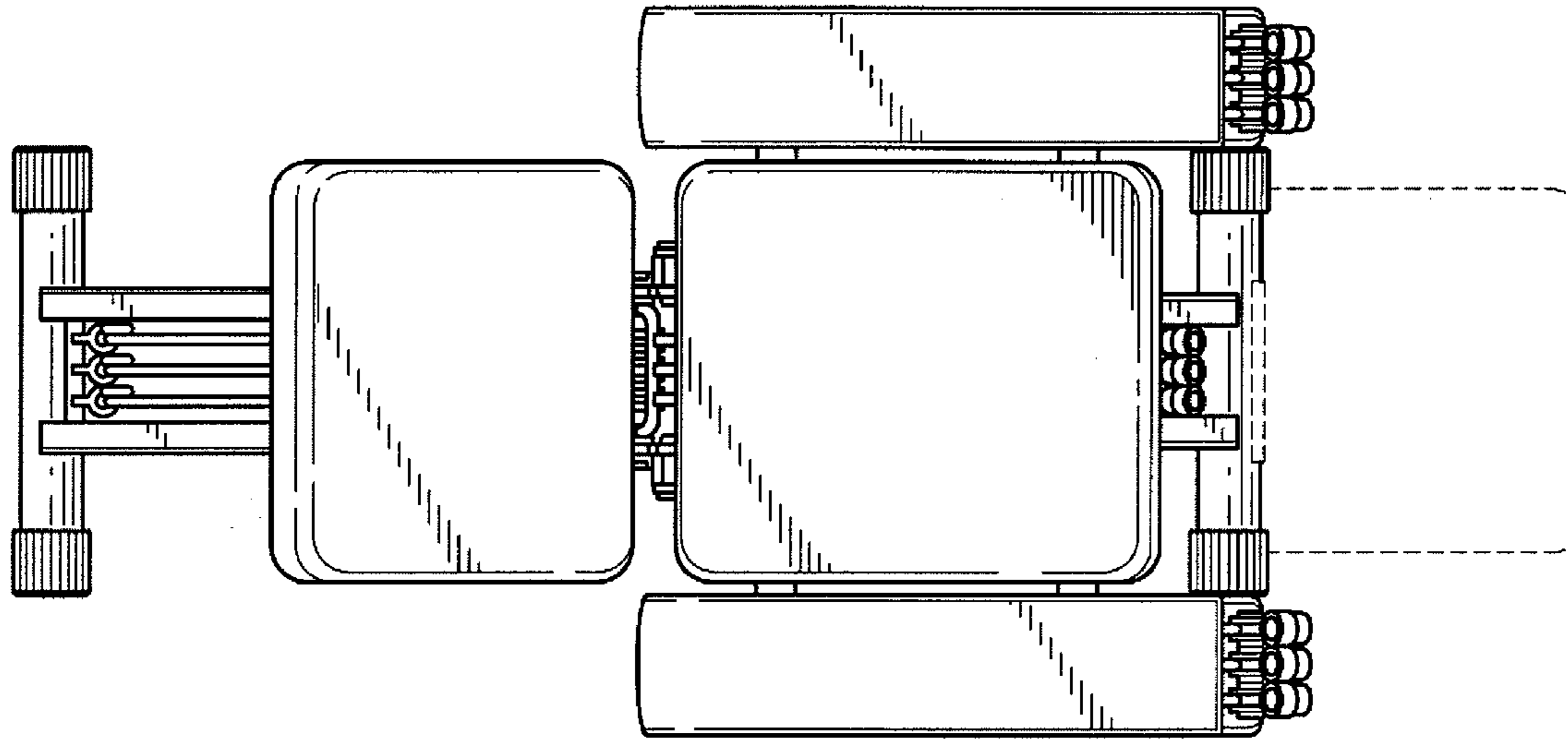


FIG. 4

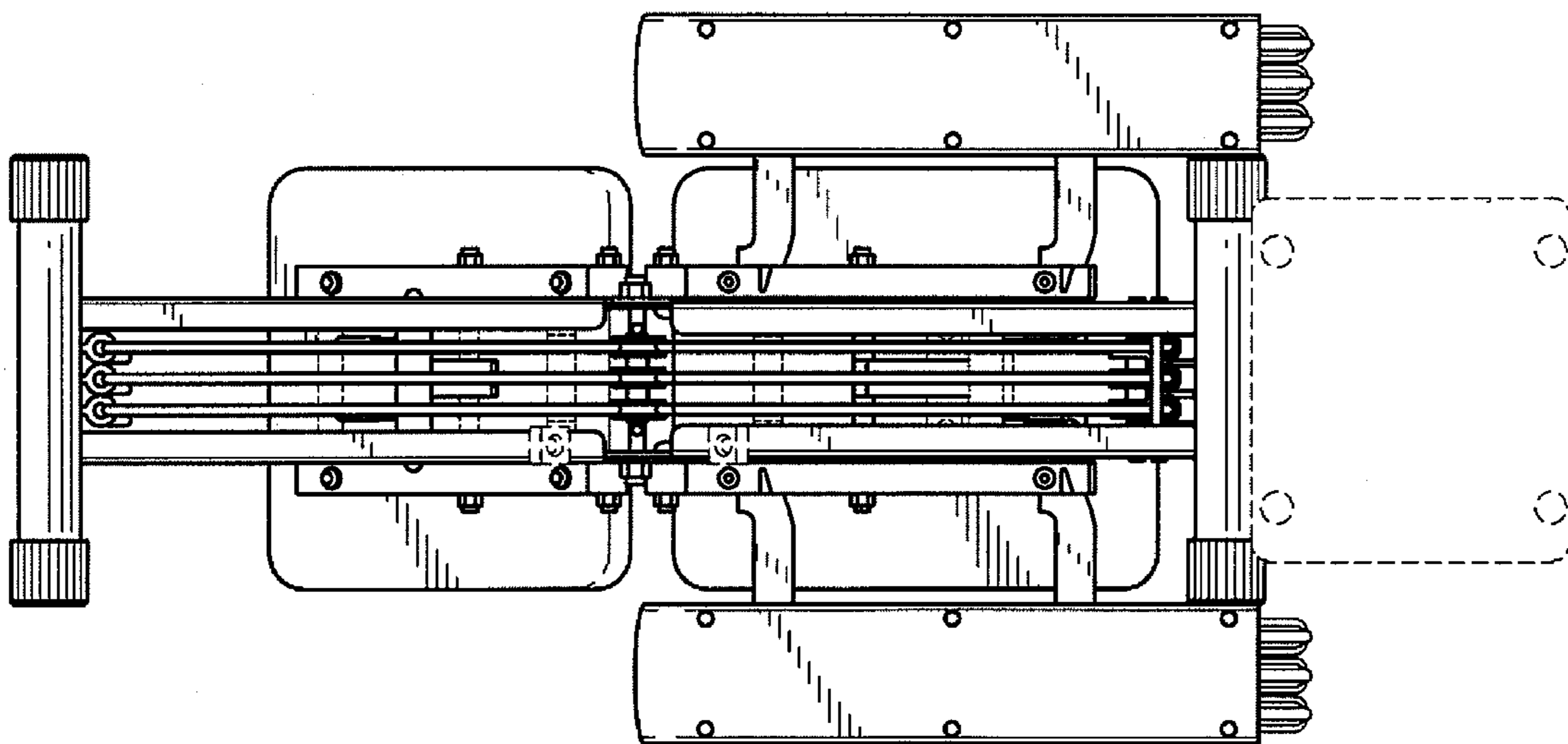


FIG. 5

FIG. 6

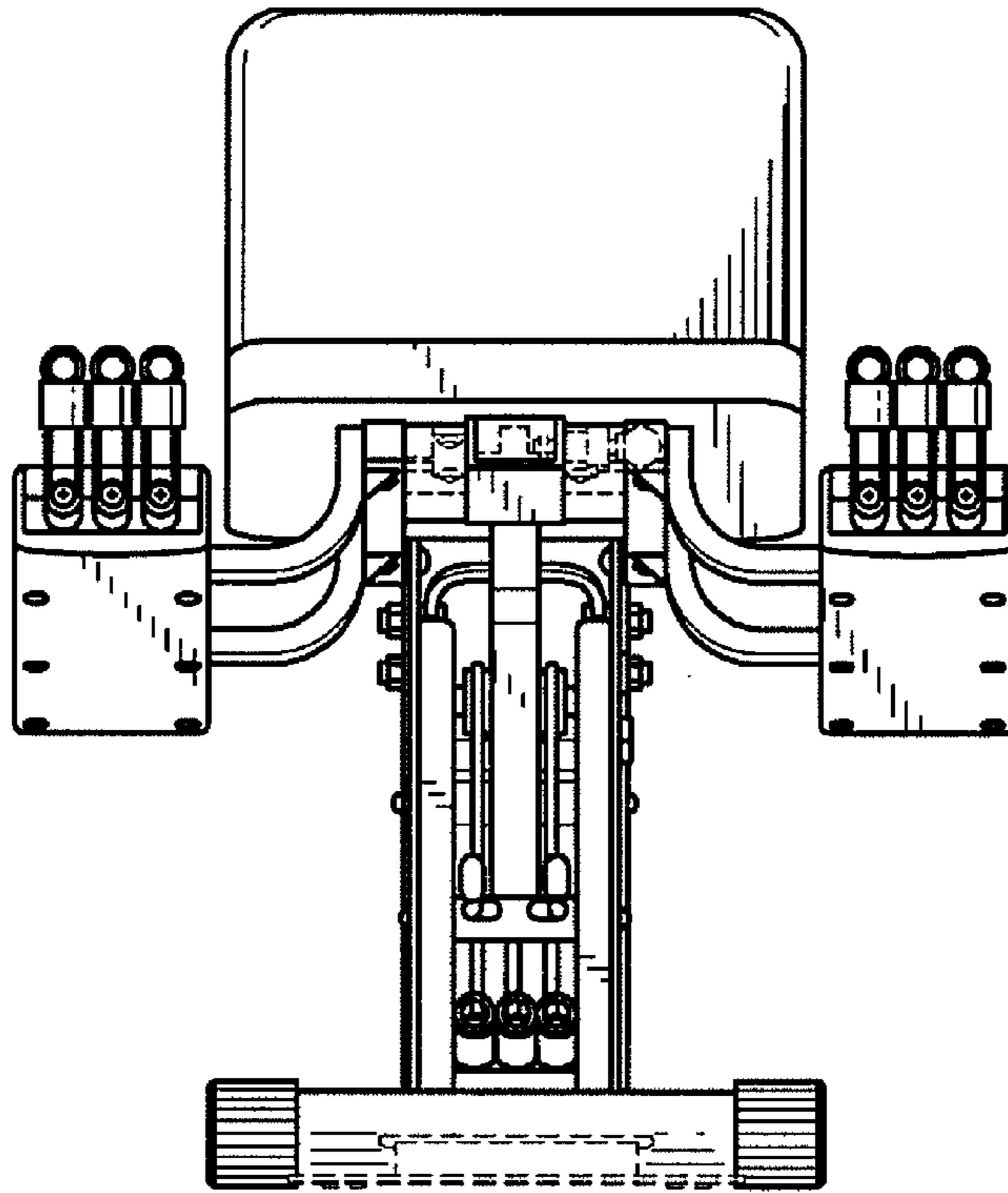


FIG. 7

