



US00D647150S

(12) **United States Design Patent**  
**O’Leary**

(10) **Patent No.:** **US D647,150 S**

(45) **Date of Patent:** **\*\* Oct. 18, 2011**

(54) **DOLL**

(76) **Inventor:** **Maureen O’Leary**, Charlestown, MA  
(US)

(\*\*) **Term:** **14 Years**

(21) **Appl. No.:** **29/376,237**

(22) **Filed:** **Oct. 4, 2010**

(51) **LOC (9) Cl.** ..... **21-01**

(52) **U.S. Cl.** ..... **D21/621; D21/649; D21/623**

(58) **Field of Classification Search** ..... D21/578–583,  
D21/621, 622, 624, 645–649; 446/268, 360,  
446/361, 376, 379, 382–384; D11/136, 160  
See application file for complete search history.

D508,966 S *	8/2005	Zehring	.....	D21/577
D531,084 S *	10/2006	McGowen et al.	.....	D11/160
D531,542 S	11/2006	McGowen		
D573,668 S	7/2008	Auberger		
D581,994 S	12/2008	Wilk		
D611,109 S	3/2010	Jones		
D614,252 S	4/2010	Pilgaard		

\* cited by examiner

*Primary Examiner* — Zenia Bennett

(74) *Attorney, Agent, or Firm* — Lando & Anastasi, LLP

(57) **CLAIM**

The ornamental design for a doll, as shown and described.

**DESCRIPTION**

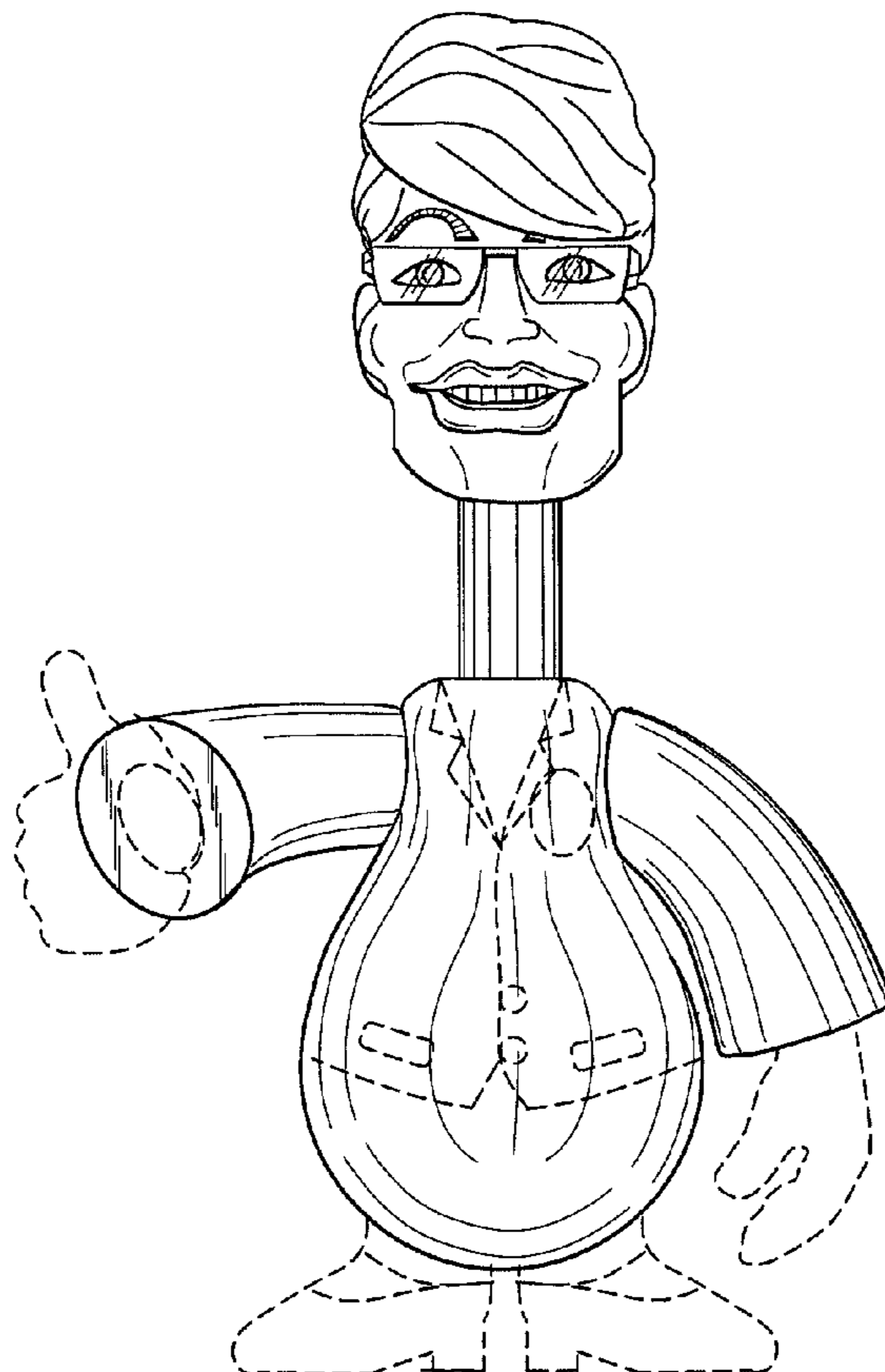
FIG. 1 is a front side elevational view of the doll.  
FIG. 2 is a left elevational view thereof.  
FIG. 3 is a right side elevational view thereof.  
FIG. 4 is a rear elevational view thereof.  
FIG. 5 is a perspective view of thereof.  
FIG. 6 is a bottom plan view thereof; and,  
FIG. 7 is a top plan view thereof.  
The broken lines in the drawings are for illustrative purposes  
only and form no part of the claimed design.

**1 Claim, 3 Drawing Sheets**

(56) **References Cited**

**U.S. PATENT DOCUMENTS**

D353,417 S *	12/1994	Ryaa et al.	.....	D21/649
D354,533 S *	1/1995	Ryaa et al.	.....	D21/649
D415,801 S	10/1999	Sisler		
D453,200 S *	1/2002	Lewis	.....	D21/649
D459,416 S *	6/2002	Rodgers	.....	D21/649
D483,081 S *	12/2003	Love	.....	D21/643
D493,852 S *	8/2004	Robinson et al.	.....	D21/645
D496,080 S *	9/2004	Aponte	.....	D21/645
D496,081 S *	9/2004	Stout et al.	.....	D21/645



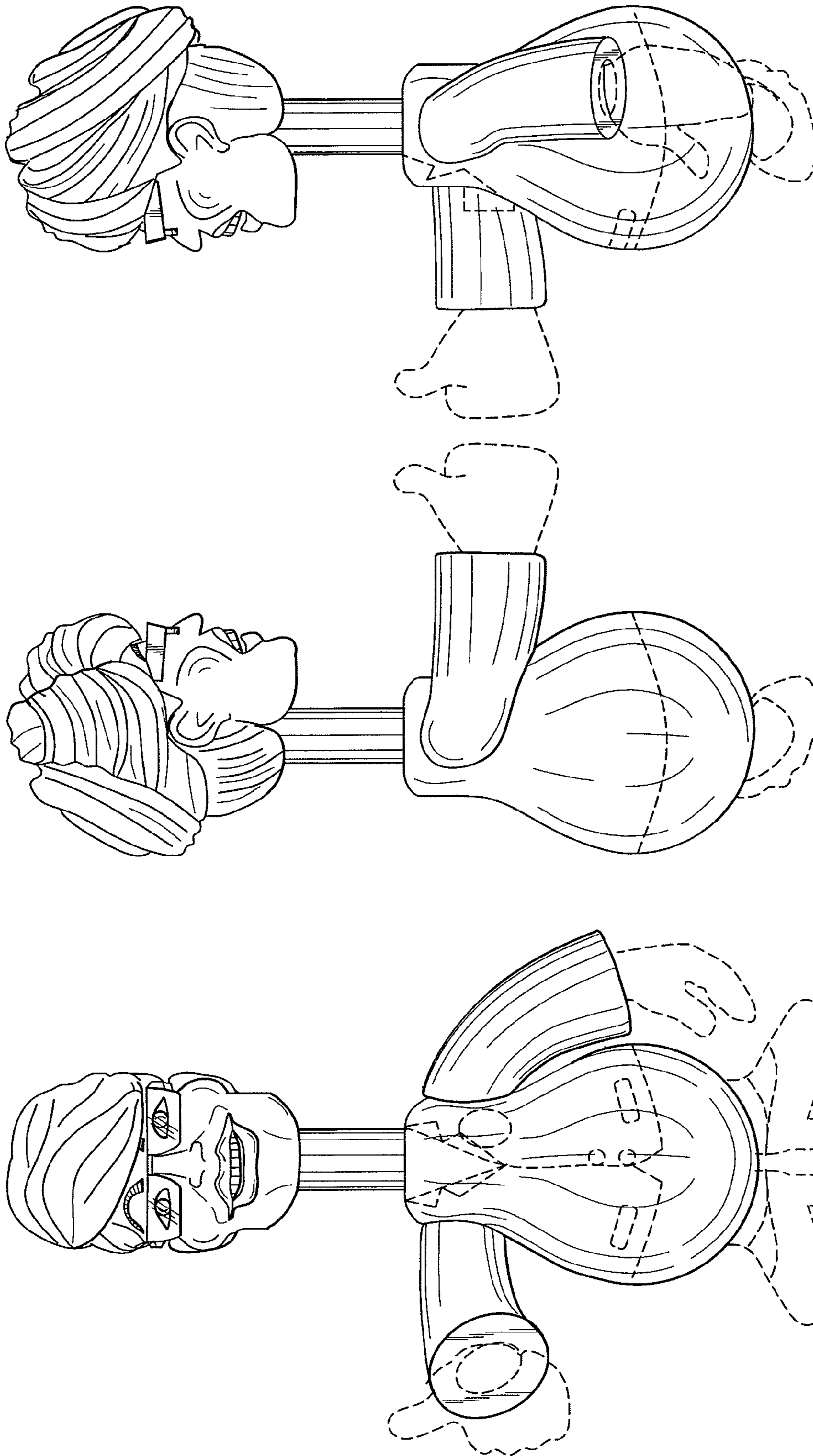


FIG. 1

FIG. 2

FIG. 3

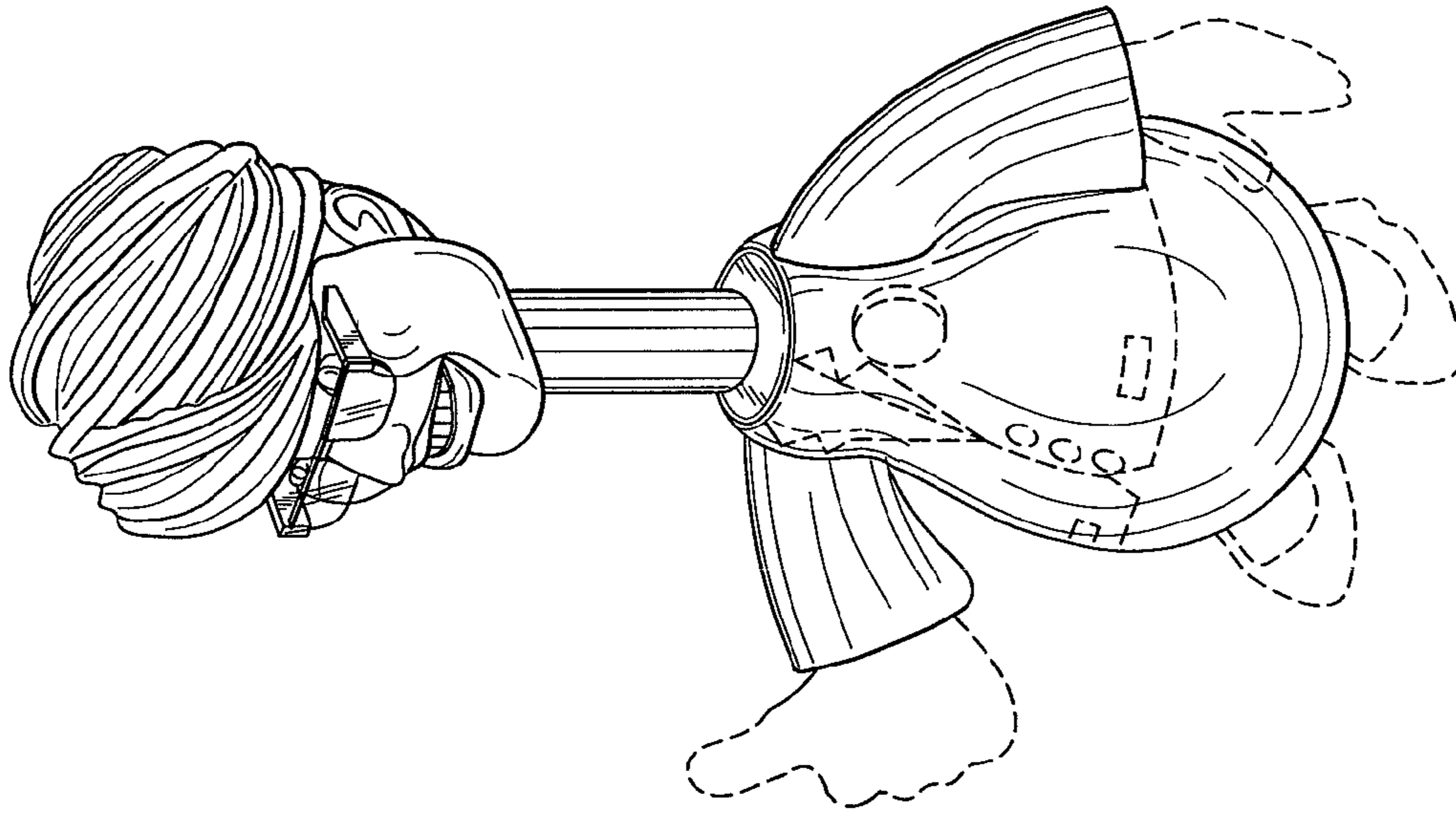


FIG. 5

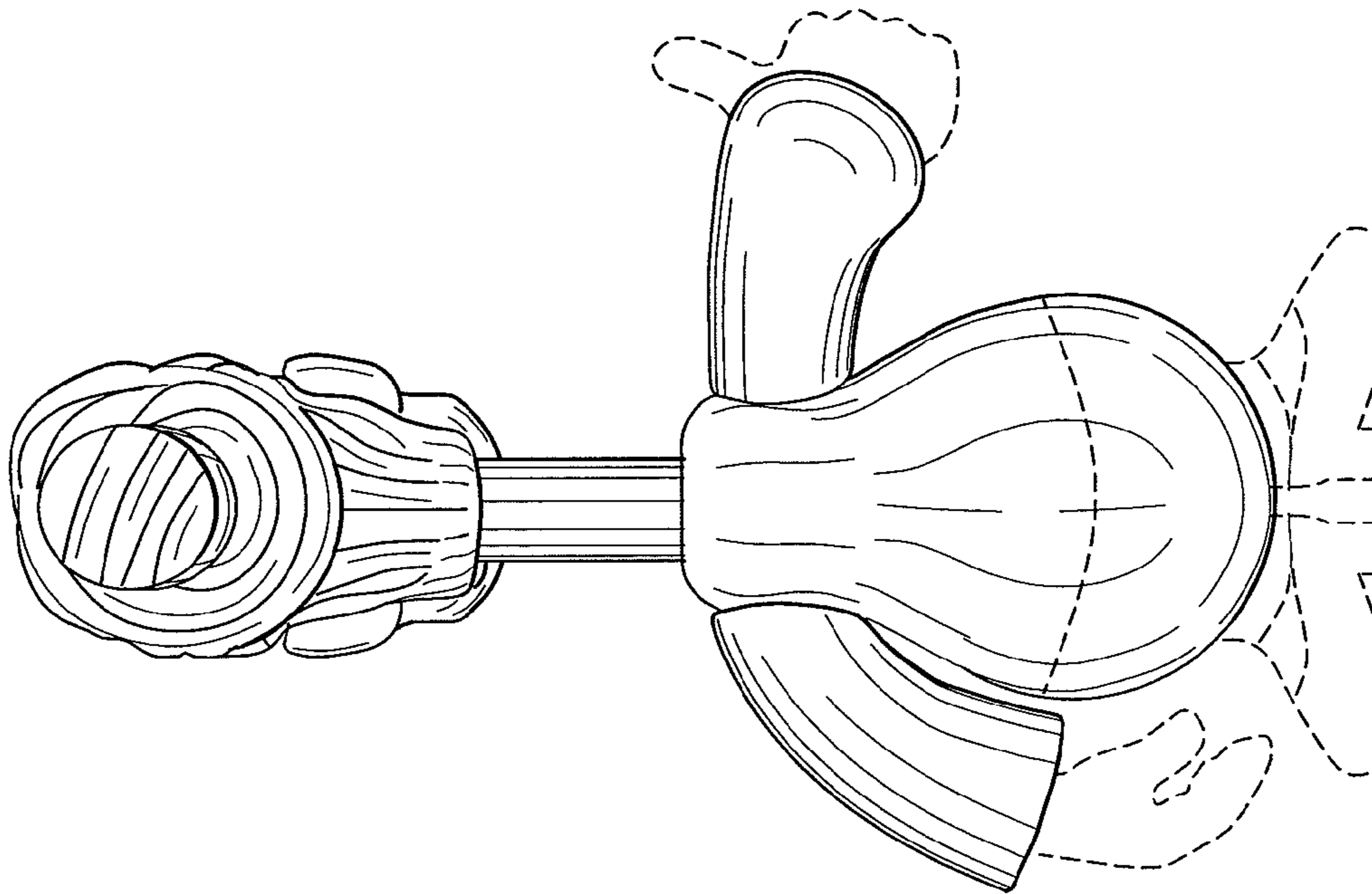
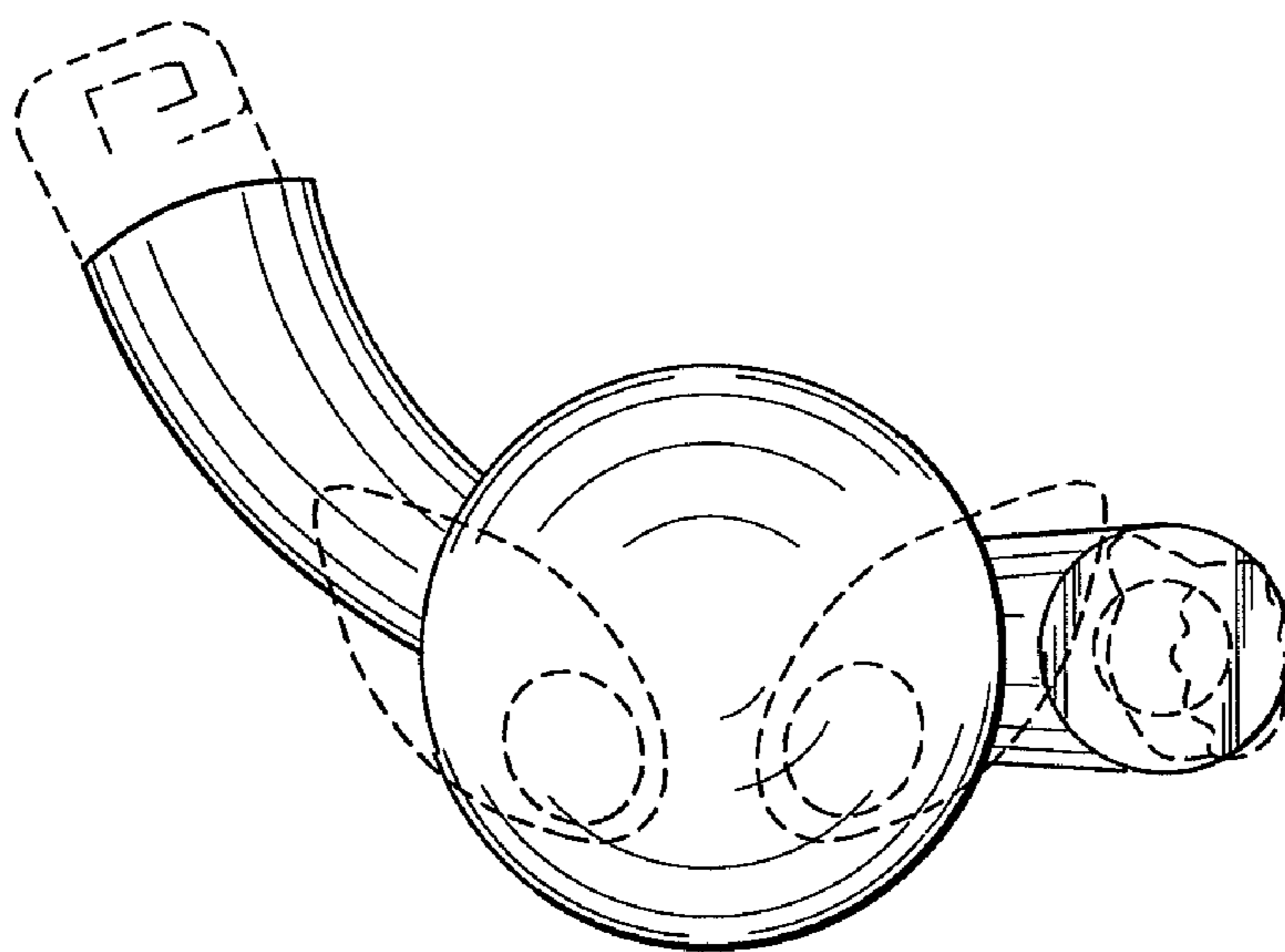
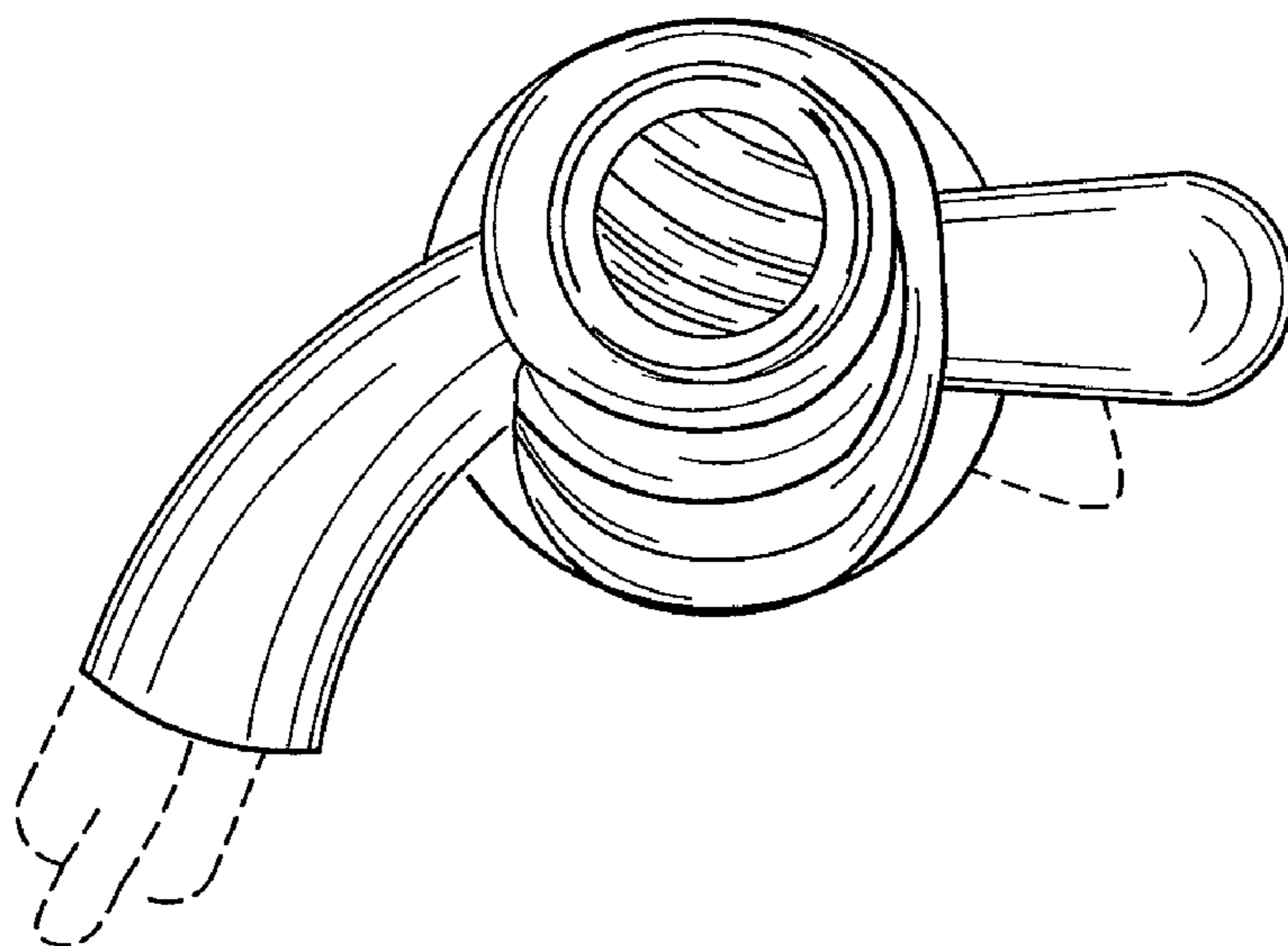


FIG. 4



**FIG. 6**



**FIG. 7**