



US00D647149S

(12) **United States Design Patent**
Wong

(10) **Patent No.:** **US D647,149 S**

(45) **Date of Patent:** **** Oct. 18, 2011**

(54) **MECHANICAL TOY ROBOT**

(76) Inventor: **Chung Leung Wong**, Kowloon (CN)

(**) Term: **14 Years**

(21) Appl. No.: **29/387,731**

(22) Filed: **Mar. 17, 2011**

(51) **LOC (9) Cl.** **21-01**

(52) **U.S. Cl.** **D21/578; D15/199**

(58) **Field of Classification Search** D21/578–583,
D21/621, 622; 446/268–274, 279, 280, 285,
446/289–292, 294, 297–303, 353–355, 376–384;
D15/199; 318/568.11, 568.12, 568.2

See application file for complete search history.

(56) **References Cited**

U.S. PATENT DOCUMENTS

D290,484 S *	6/1987	Yoke	D21/578
D305,786 S *	1/1990	Ohno	D21/579
D306,618 S *	3/1990	Doi	D21/578
D453,199 S *	1/2002	Sawai et al.	D21/578
D534,971 S *	1/2007	Chung	D21/578
D561,213 S *	2/2008	Mitchell	D15/199

D561,214 S *	2/2008	Mitchell	D15/199
D561,215 S *	2/2008	Mitchell	D15/199
D561,795 S *	2/2008	Mitchell	D15/199
D593,164 S *	5/2009	Sonoda	D21/578
D622,786 S *	8/2010	Lee	D21/578
2005/0162117 A1 *	7/2005	Iribe et al.	318/568.12

* cited by examiner

Primary Examiner — Zenia Bennett

(74) *Attorney, Agent, or Firm* — Clement Cheng

(57) **CLAIM**

The ornamental design for a mechanical toy robot thereof, as shown and described.

DESCRIPTION

FIG. 1 is a perspective view.

FIG. 2 is a front view.

FIG. 3 is a rear view.

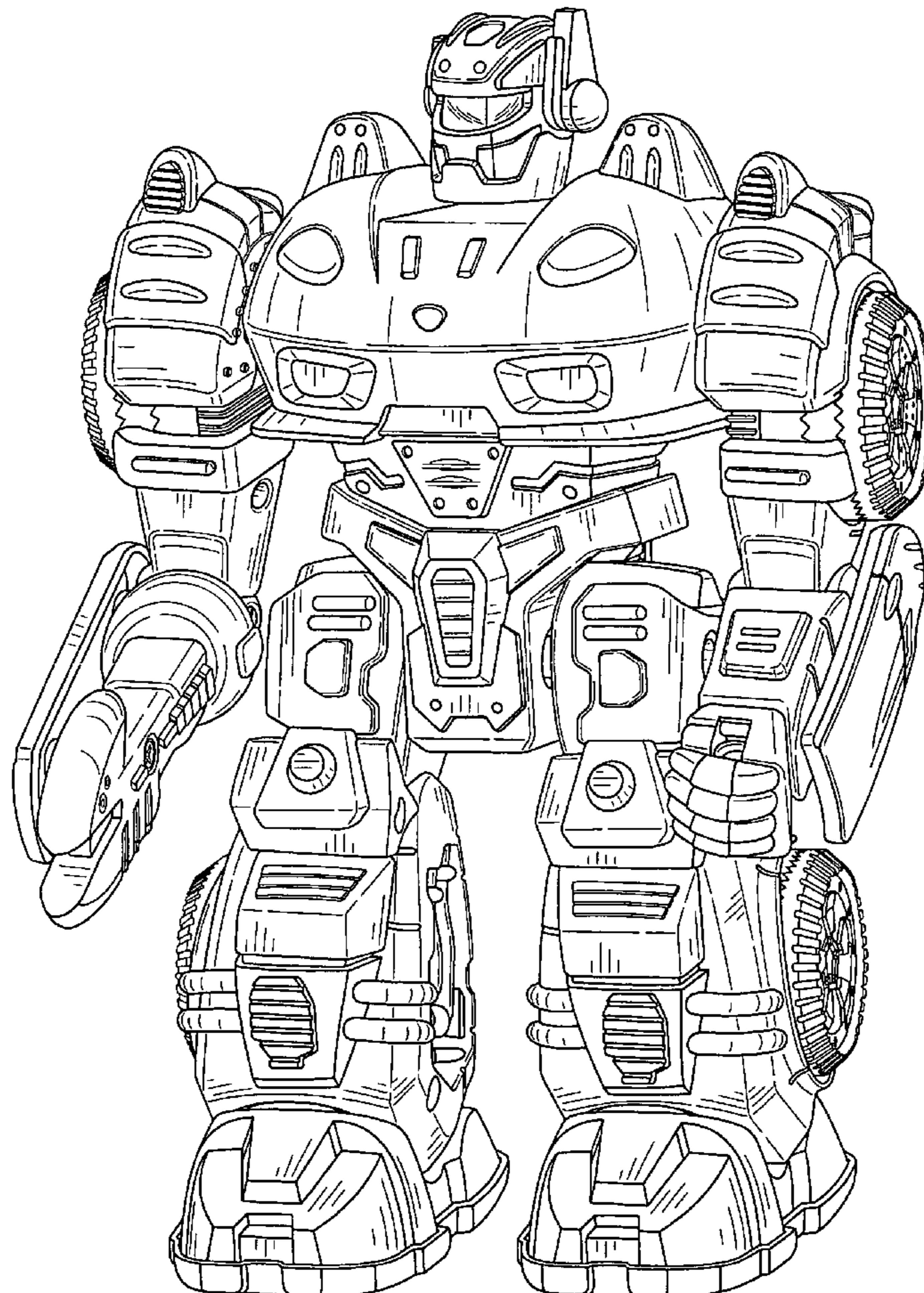
FIG. 4 is a left side view.

FIG. 5 is a right side view.

FIG. 6 is a top view; and,

FIG. 7 is a bottom view.

1 Claim, 6 Drawing Sheets



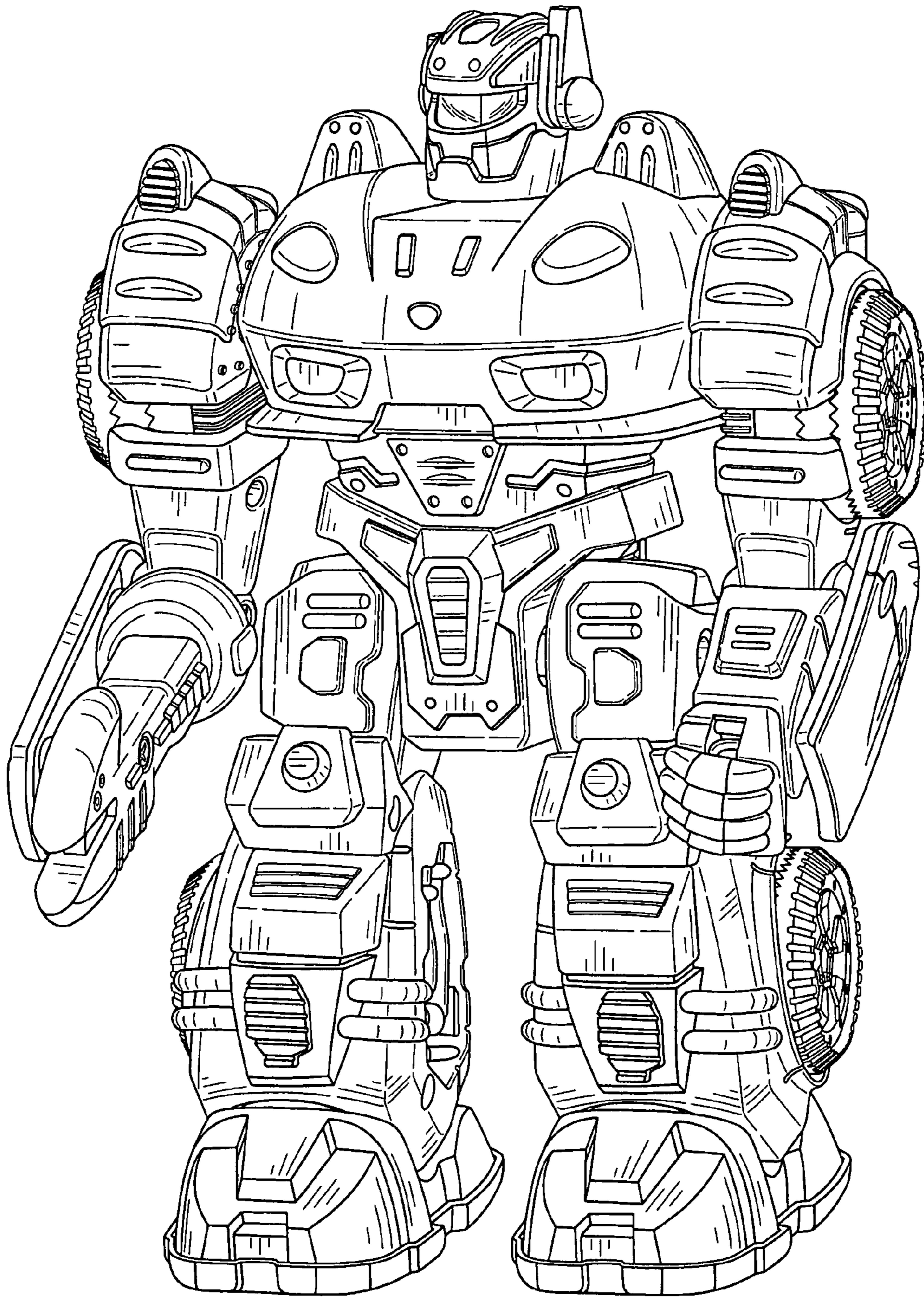


FIG. 1

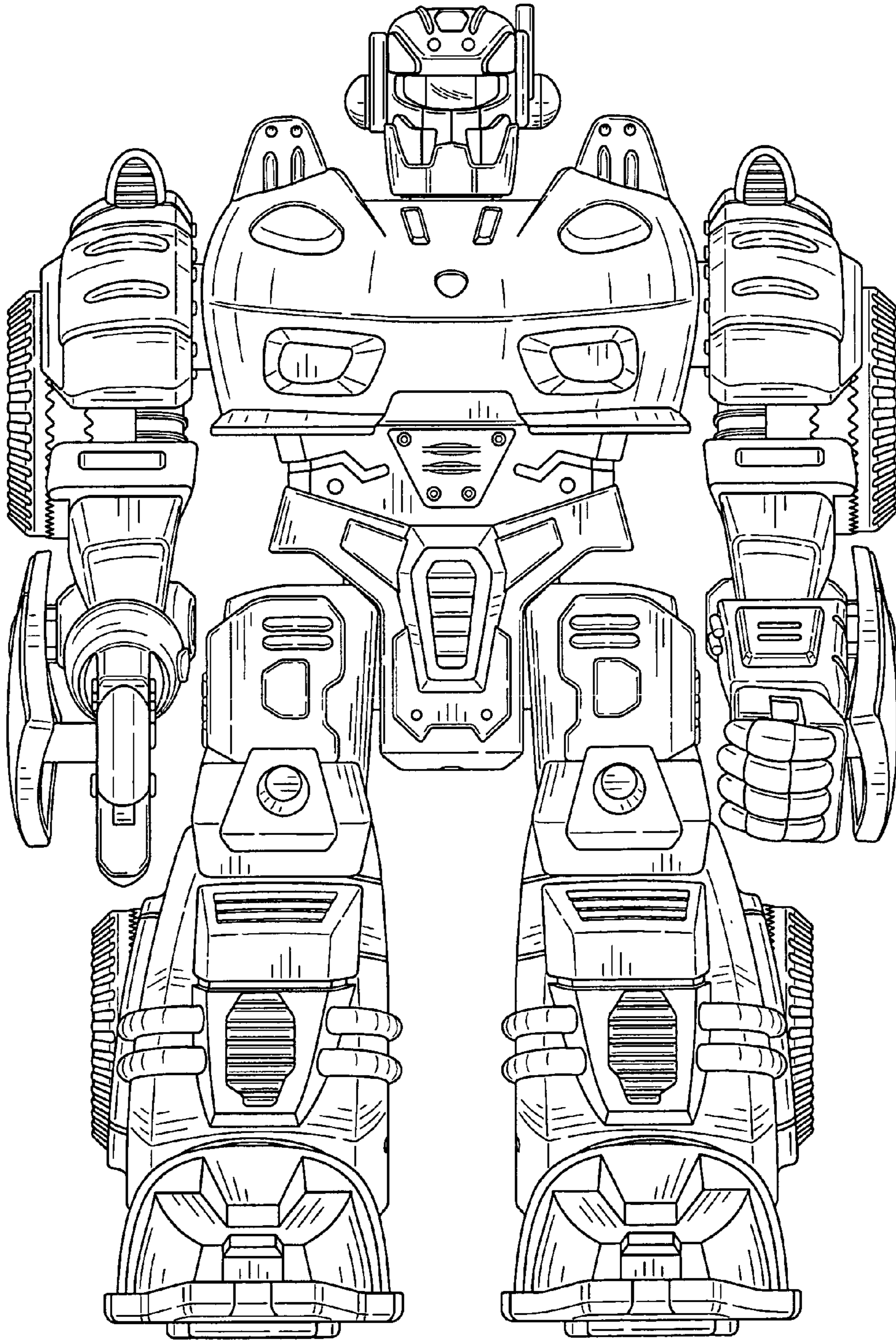


FIG. 2

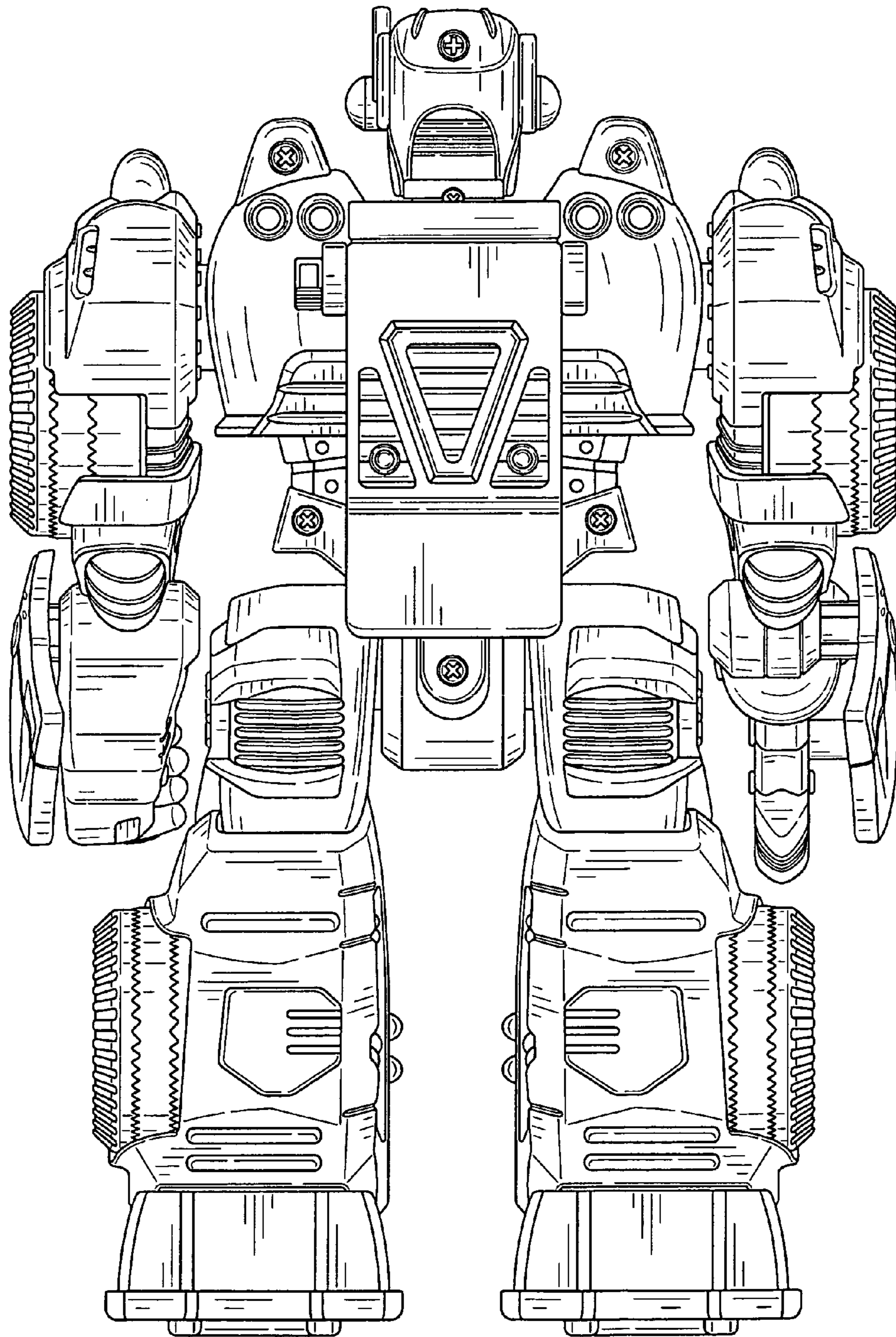


FIG. 3

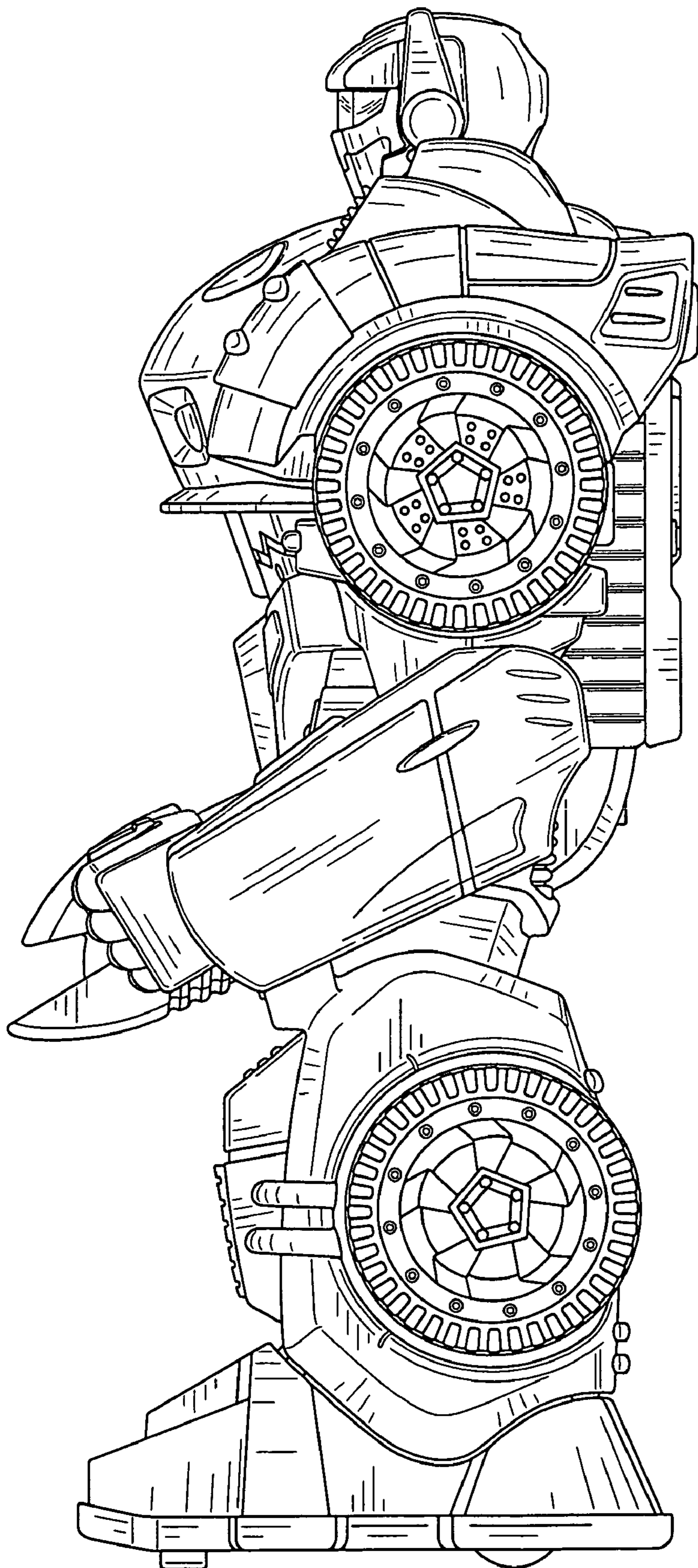


FIG. 4

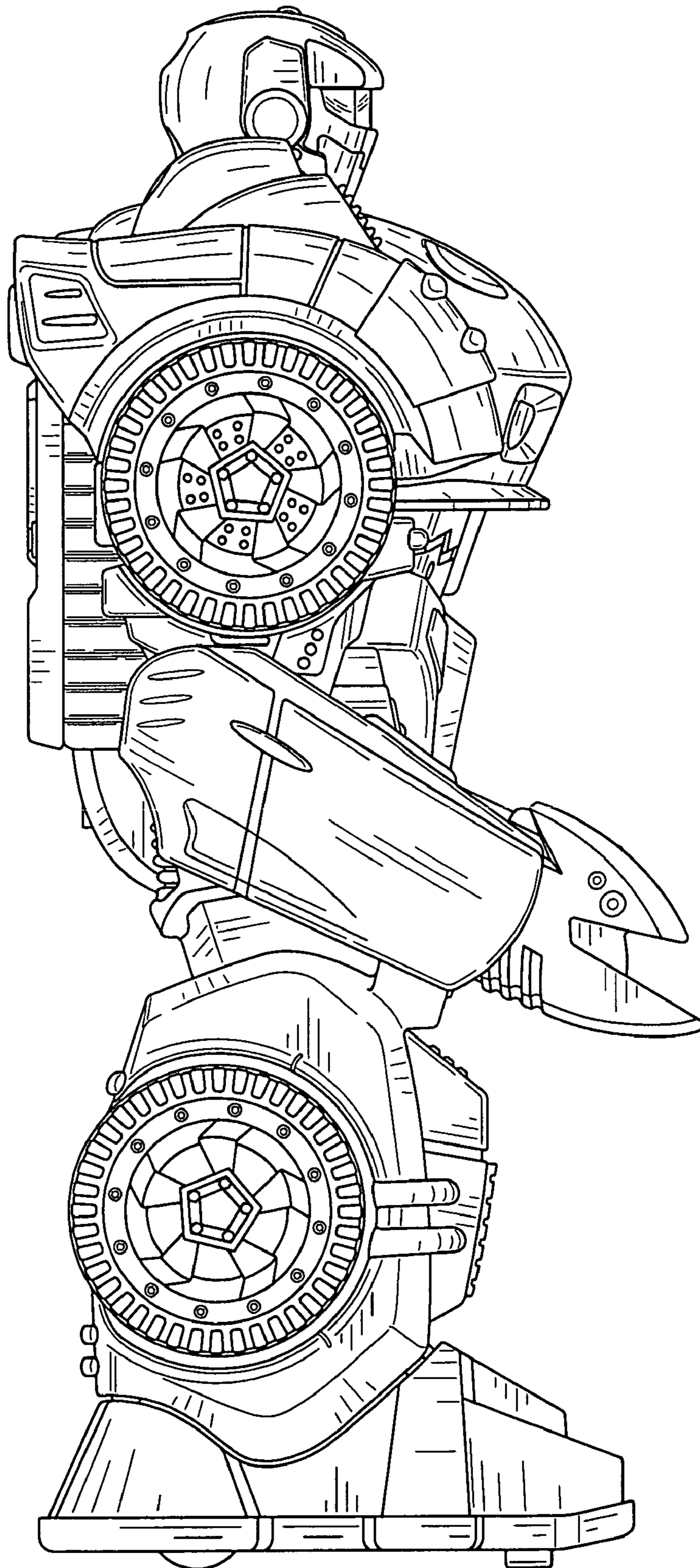


FIG. 5

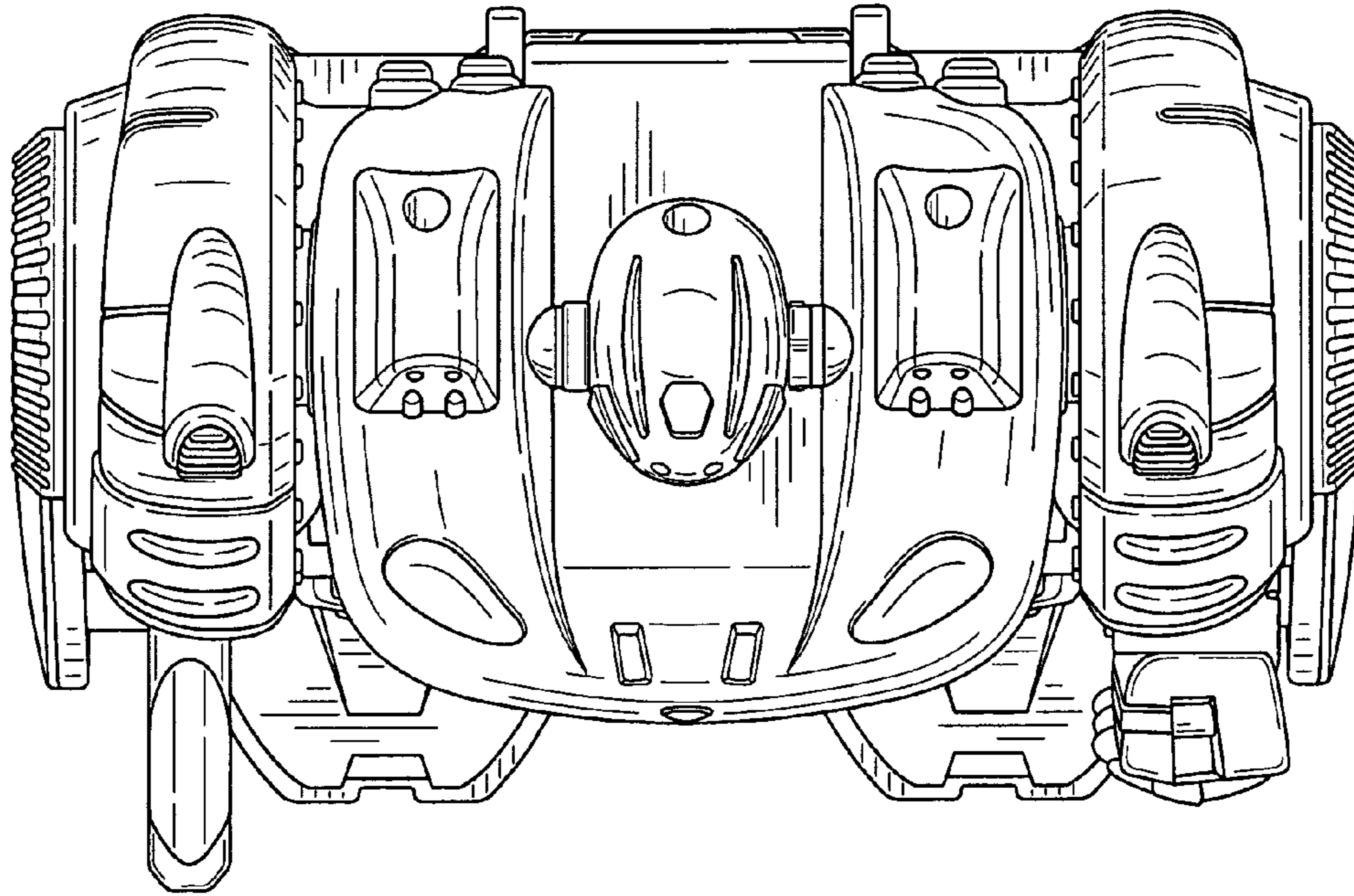


FIG. 6

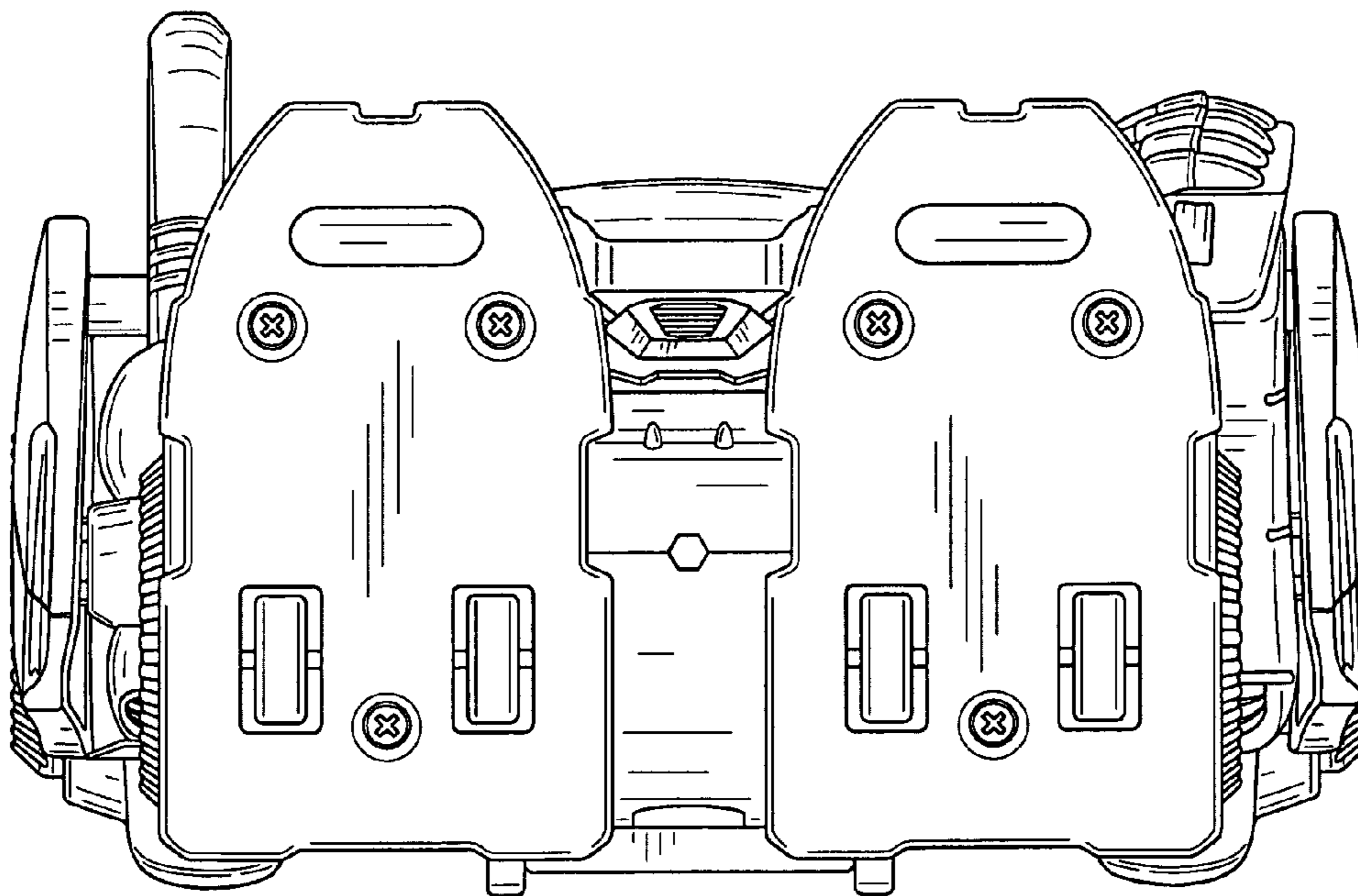


FIG. 7