



US00D647144S

(12) **United States Design Patent**  
**Robins et al.**

(10) **Patent No.:** **US D647,144 S**

(45) **Date of Patent:** **\*\* Oct. 18, 2011**

(54) **SPINNING TOP**

5,755,608 A \* 5/1998 Glickman ..... 446/264  
5,895,307 A \* 4/1999 Jamison et al. .... 446/256  
D495,255 S \* 8/2004 Lewis ..... D9/436

(75) Inventors: **Canyon Robins**, McKinleyville, CA  
(US); **Duncan G. Robins**,  
McKinleyville, CA (US)

**FOREIGN PATENT DOCUMENTS**

CN 3019109 \* 6/1993

(73) Assignee: **Slotter, LLC**, McKinleyville, CA (US)

\* cited by examiner

(\*\*) Term: **14 Years**

*Primary Examiner* — Catherine Tuttle

(21) Appl. No.: **29/377,506**

(74) *Attorney, Agent, or Firm* — Kolisch Hartwell, P.C.

(22) Filed: **Oct. 21, 2010**

(51) **LOC (9) Cl.** ..... **21-01**

(57) **CLAIM**

We claim the ornamental design for a spinning top, as shown and described.

(52) **U.S. Cl.** ..... **D21/460**

(58) **Field of Classification Search** ..... D21/374,  
D21/436-468; D19/36, 42; D9/435, 436,  
D9/439-441; 446/46-48, 71, 77, 236-266;  
273/147

**DESCRIPTION**

See application file for complete search history.

FIG. 1 is a perspective view of the spinning top showing our new design.

(56) **References Cited**

**U.S. PATENT DOCUMENTS**

206,142 A \* 7/1878 Sibley et al. .... 446/71  
1,160,618 A \* 11/1915 Joseph ..... 446/264  
1,295,929 A \* 3/1919 Rowland ..... 446/261  
D56,949 S \* 1/1921 Tatler ..... D21/460  
1,501,276 A \* 7/1924 Cruver ..... 273/147  
1,711,232 A \* 4/1929 Kimmel ..... 215/324  
D138,494 S \* 8/1944 Hacmac ..... D21/460  
2,891,351 A \* 6/1959 Madaras et al. .... 446/250  
D206,672 S \* 1/1967 Sibley et al. .... D21/464  
3,906,660 A \* 9/1975 Voth ..... 446/257  
D301,258 S \* 5/1989 Olney ..... D21/460

FIG. 2 is a side view of the spinning top shown in FIG. 1. A view of the other side of the spinning top is the same as FIG. 2.

FIG. 3 is a top view of the spinning top shown in FIGS. 1-2; and,

FIG. 4 is a bottom view of the spinning top shown in FIGS. 1-3.

The broken shading lines shown in the drawing(s) represent the three-dimensional contour of the design, and are not intended to indicate surface decoration.

**1 Claim, 2 Drawing Sheets**

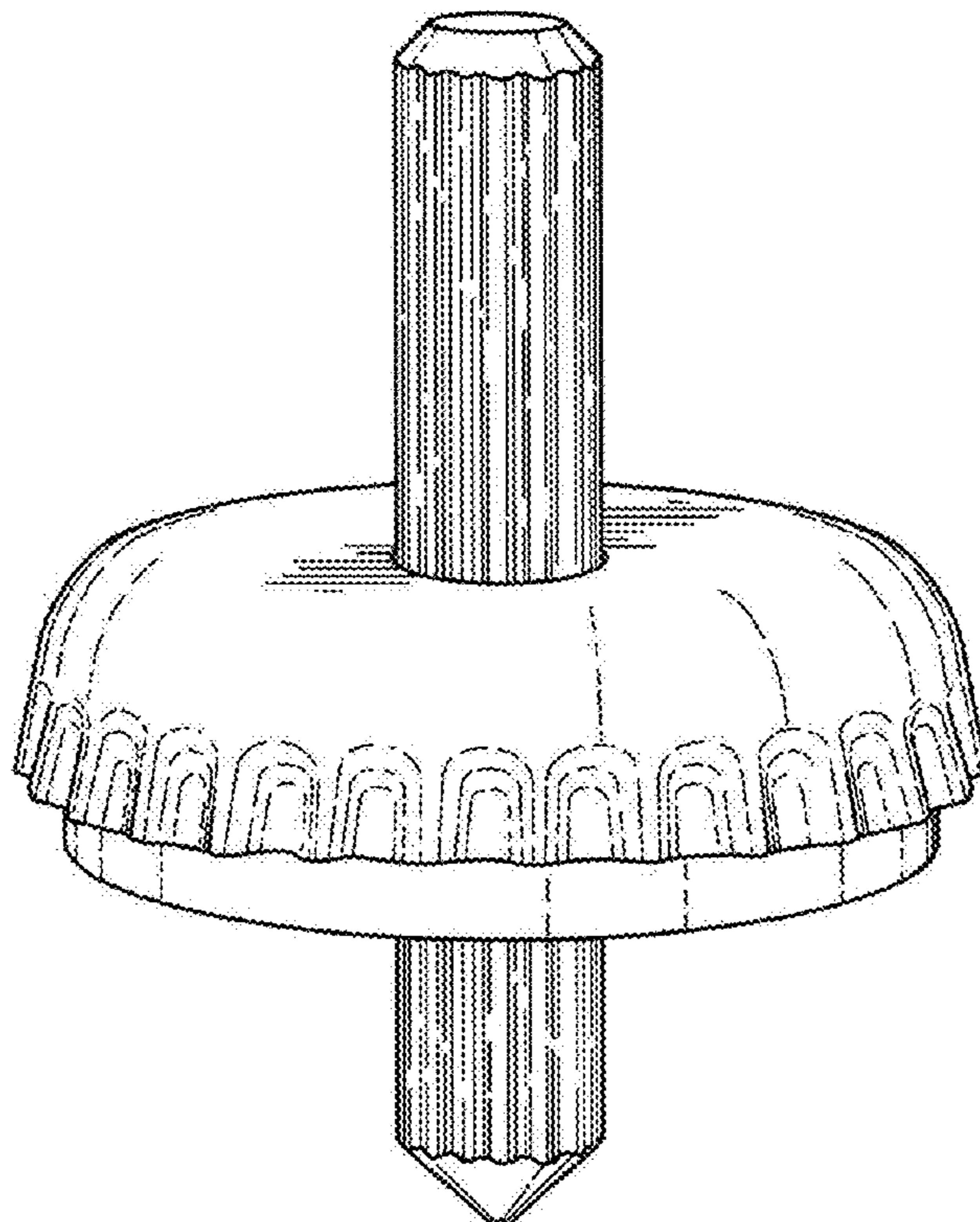


Fig. 1

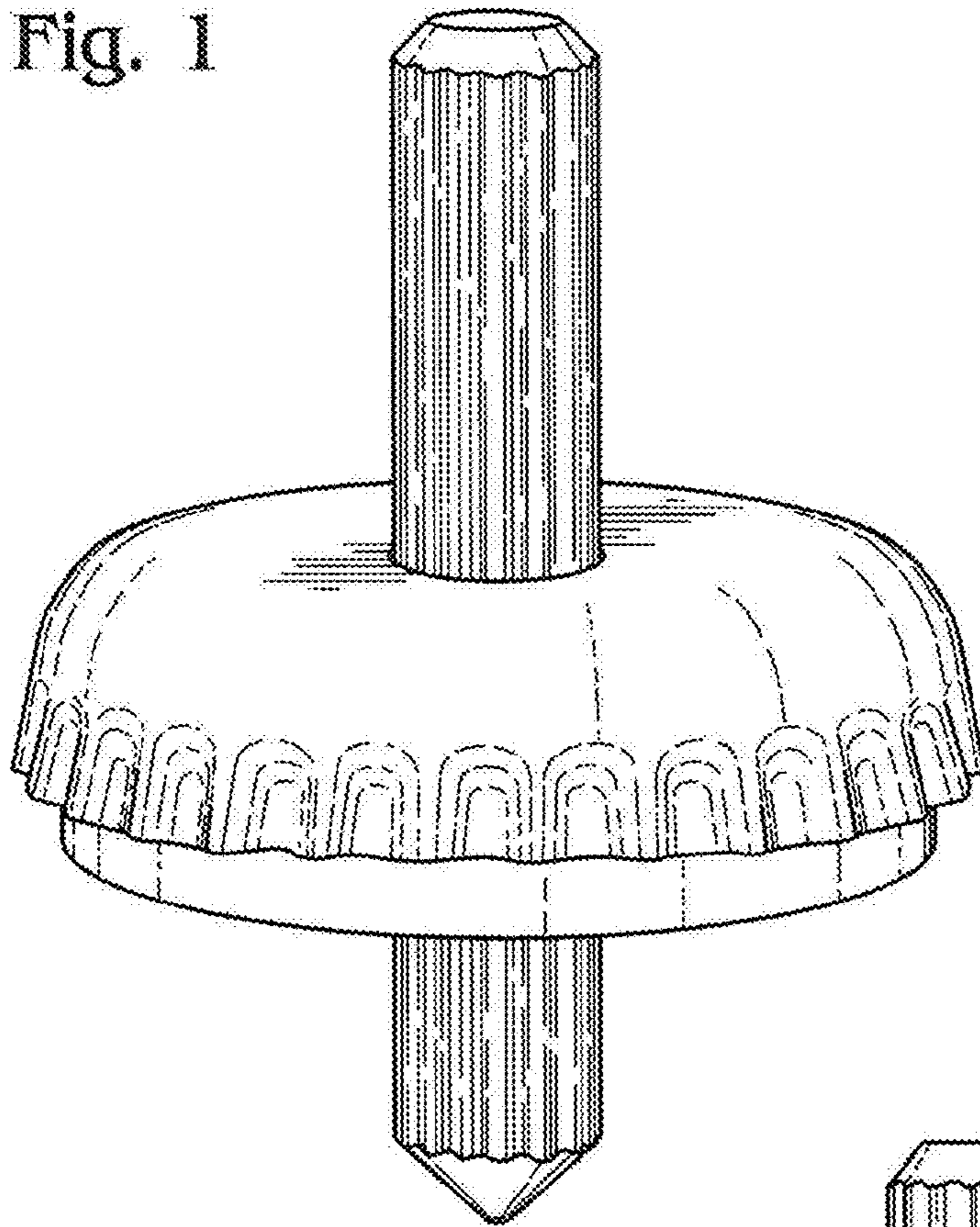


Fig. 2

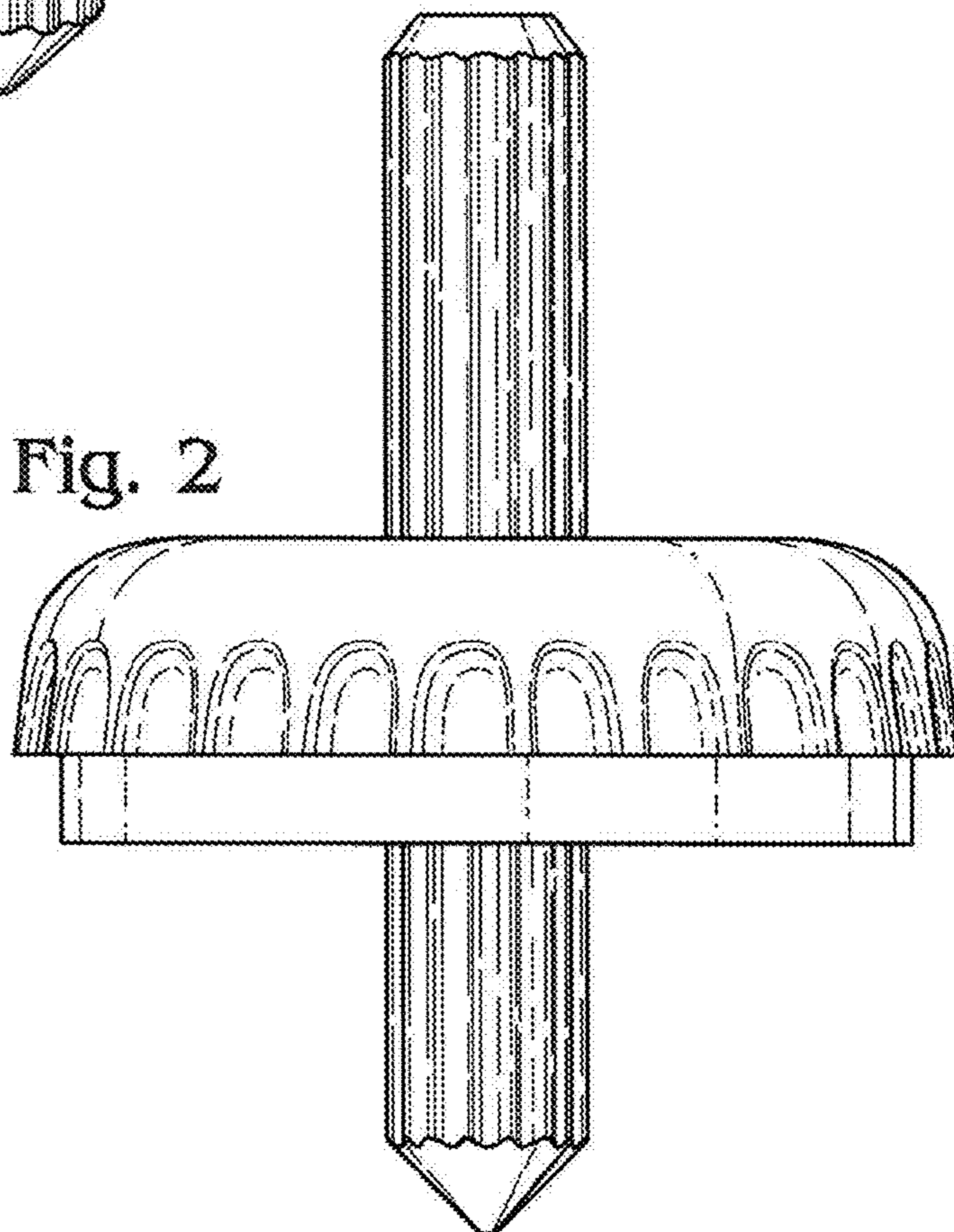


Fig. 3

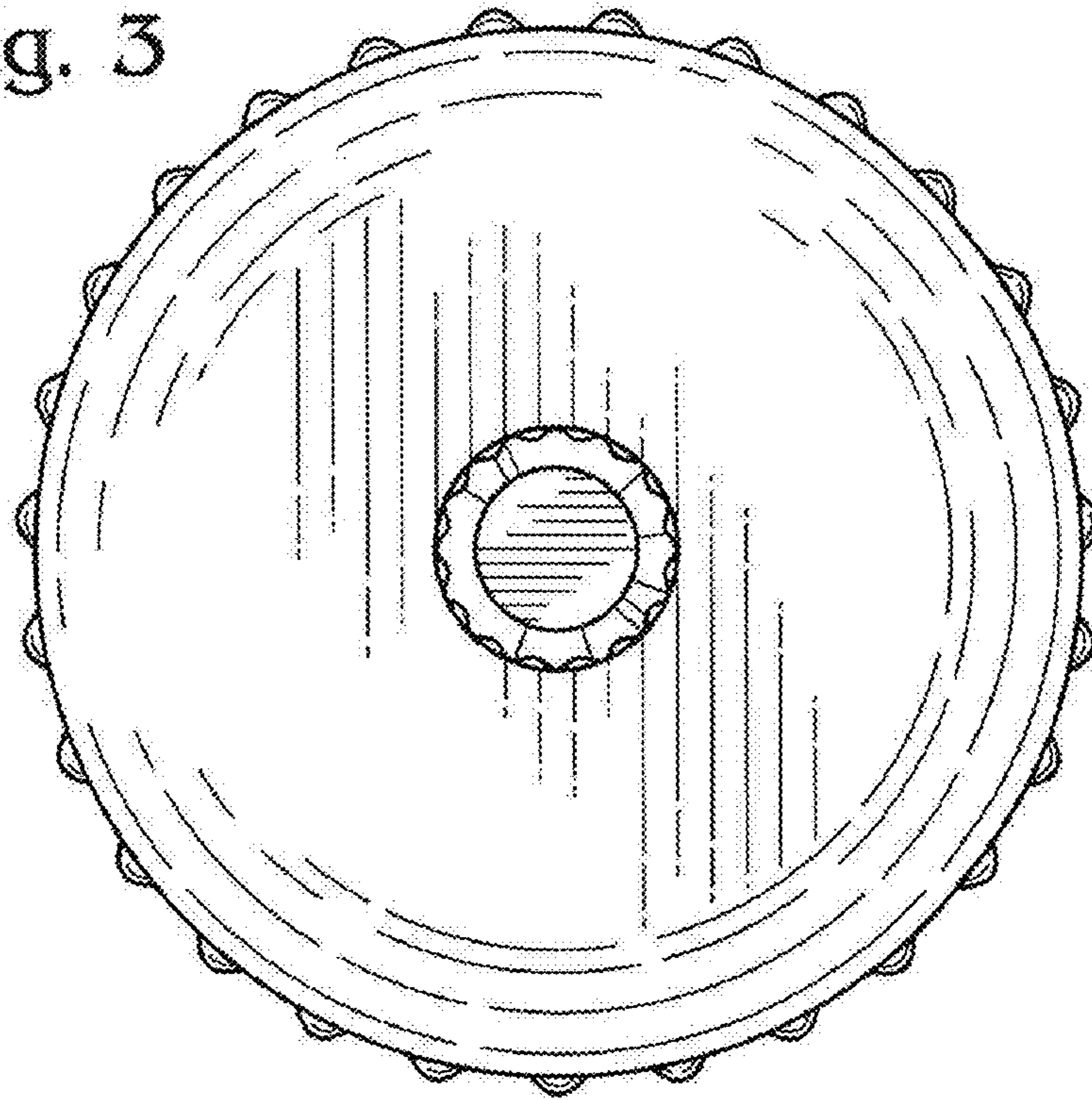


Fig. 4

