



US00D647143S

(12) **United States Design Patent**
Yi et al.

(10) **Patent No.:** **US D647,143 S**

(45) **Date of Patent:** **** Oct. 18, 2011**

(54) **PERPENDICULAR WALL MOUNTED SIGN**

(75) Inventors: **Jean Yi**, Foshan City (CN); **Danielle Rodgers**, Indianapolis, IN (US)

(73) Assignee: **Deflecto, LLC**, Indianapolis, IN (US)

(**) Term: **14 Years**

(21) Appl. No.: **29/384,283**

(22) Filed: **Jan. 28, 2011**

(51) **LOC (9) Cl.** **20-03**

(52) **U.S. Cl.** **D20/42**

(58) **Field of Classification Search** D20/10,
D20/13-15, 18, 19, 29, 39-43, 99; 40/358,
40/446, 452, 453, 538, 541, 542, 545-548,
40/563, 564, 568, 570-574, 582, 594, 60,
40/605, 615, 617, 618, 624; D6/300, 310,
D6/314; D10/109.1, 109.2; D11/132; 248/174;
362/812

See application file for complete search history.

(56) **References Cited**

U.S. PATENT DOCUMENTS

D96,309 S *	7/1935	Howenstine	D20/10
D111,584 S *	10/1938	Kay	D20/10
D116,605 S *	9/1939	Houle	D20/10
D268,570 S *	4/1983	Wagman	D11/132
D289,779 S *	5/1987	Guerra-Prats	D20/18
D308,543 S *	6/1990	Hunter	D20/10
D577,075 S	9/2008	Bode		

* cited by examiner

Primary Examiner — Mary Ann Calabrese

(74) *Attorney, Agent, or Firm* — SNR Denton US LLP;
Brian R. McGinley

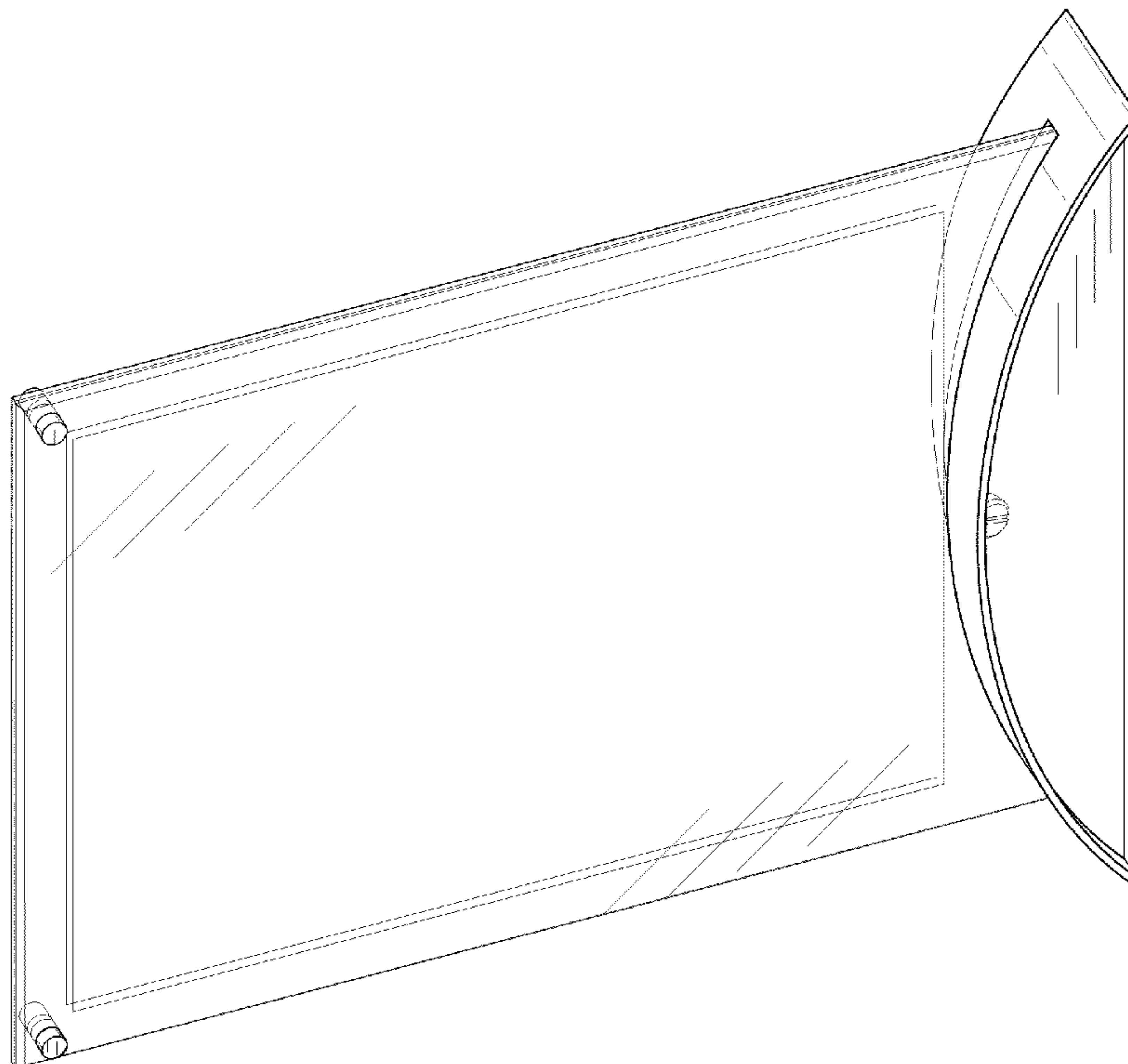
(57) **CLAIM**

The ornamental design for a perpendicular wall mounted sign, as shown and described.

DESCRIPTION

FIG. 1 is a front elevational view of the perpendicular wall mounted sign illustrating the new design;
 FIG. 2 is a right side view of the perpendicular wall mounted sign illustrated in FIG. 1; the left side view of the perpendicular wall mounted sign is a mirror image of that of the right side view in FIG. 2;
 FIG. 3 is a rear view of the perpendicular wall mounted sign illustrated in FIG. 1;
 FIG. 4 is a top view of the perpendicular wall mounted sign illustrated in FIG. 1;
 FIG. 5 is a bottom view of the perpendicular wall mounted sign illustrated in FIG. 1;
 FIG. 6 is a front perspective view of the perpendicular wall mounted sign shown in FIG. 1; and,
 FIG. 7 is a rear perspective view of the perpendicular wall mounted sign illustrated in FIG. 1.

1 Claim, 4 Drawing Sheets



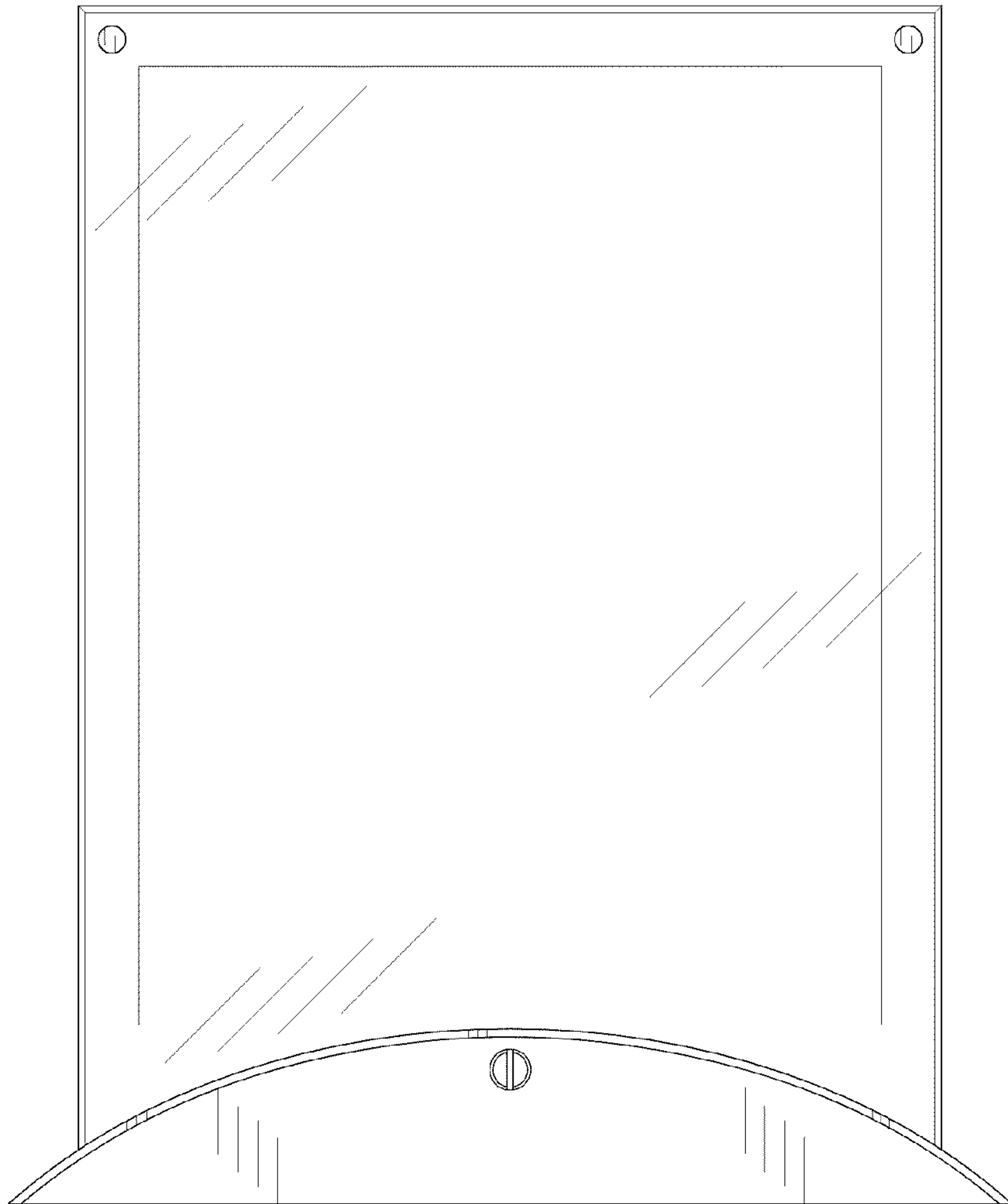


Fig. 1

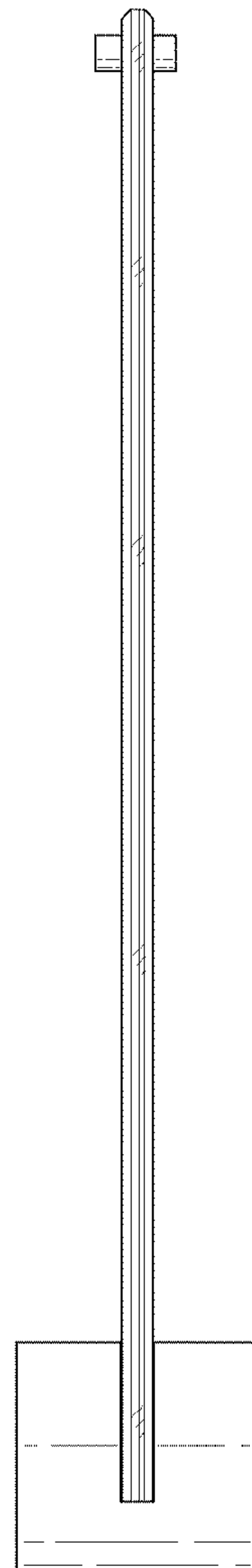


Fig. 2

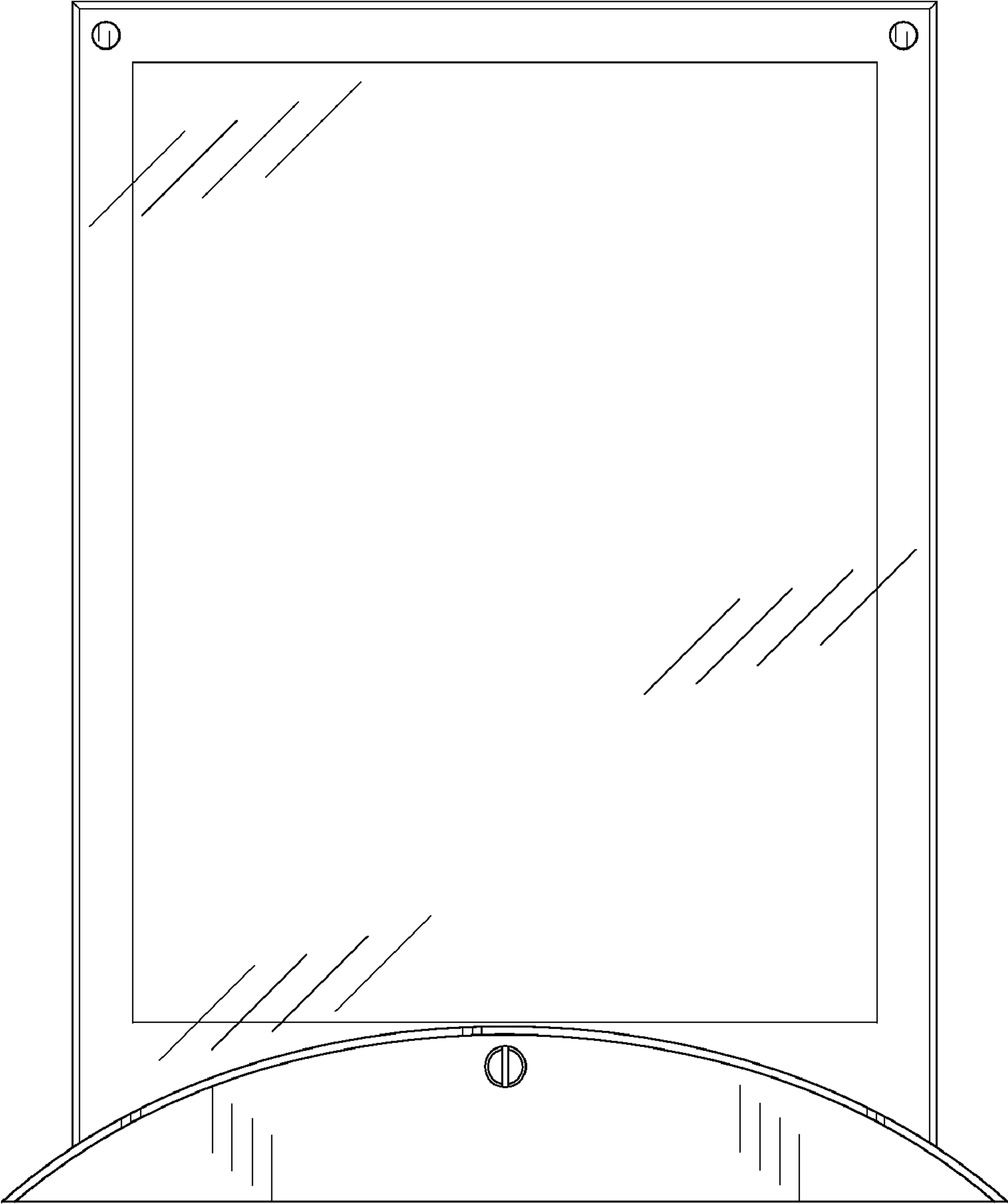


Fig. 3

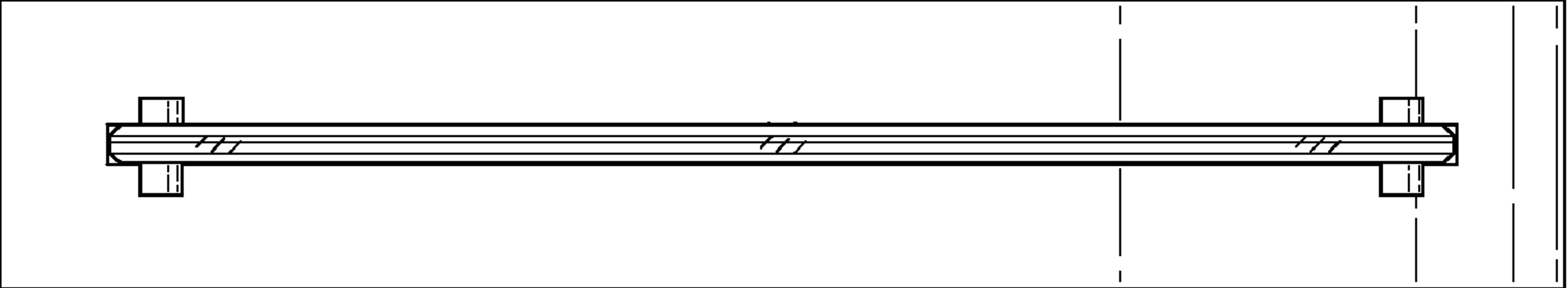


Fig. 4

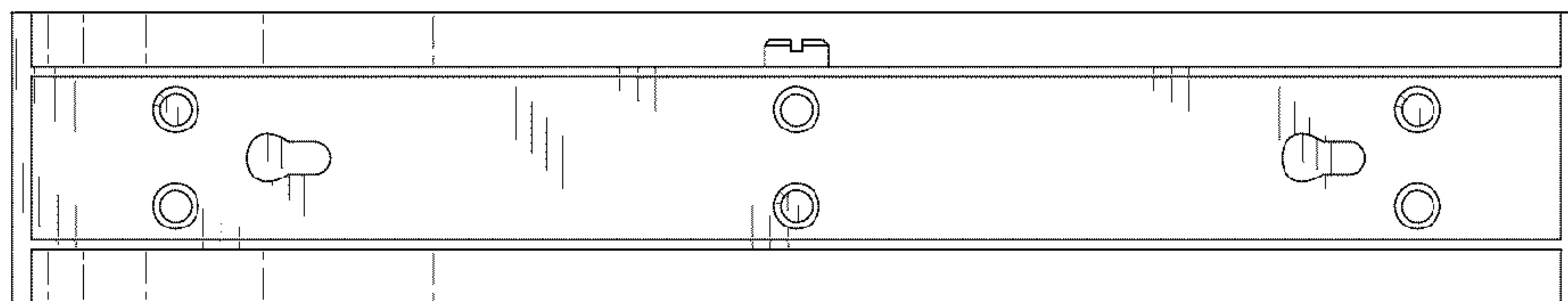


Fig. 5

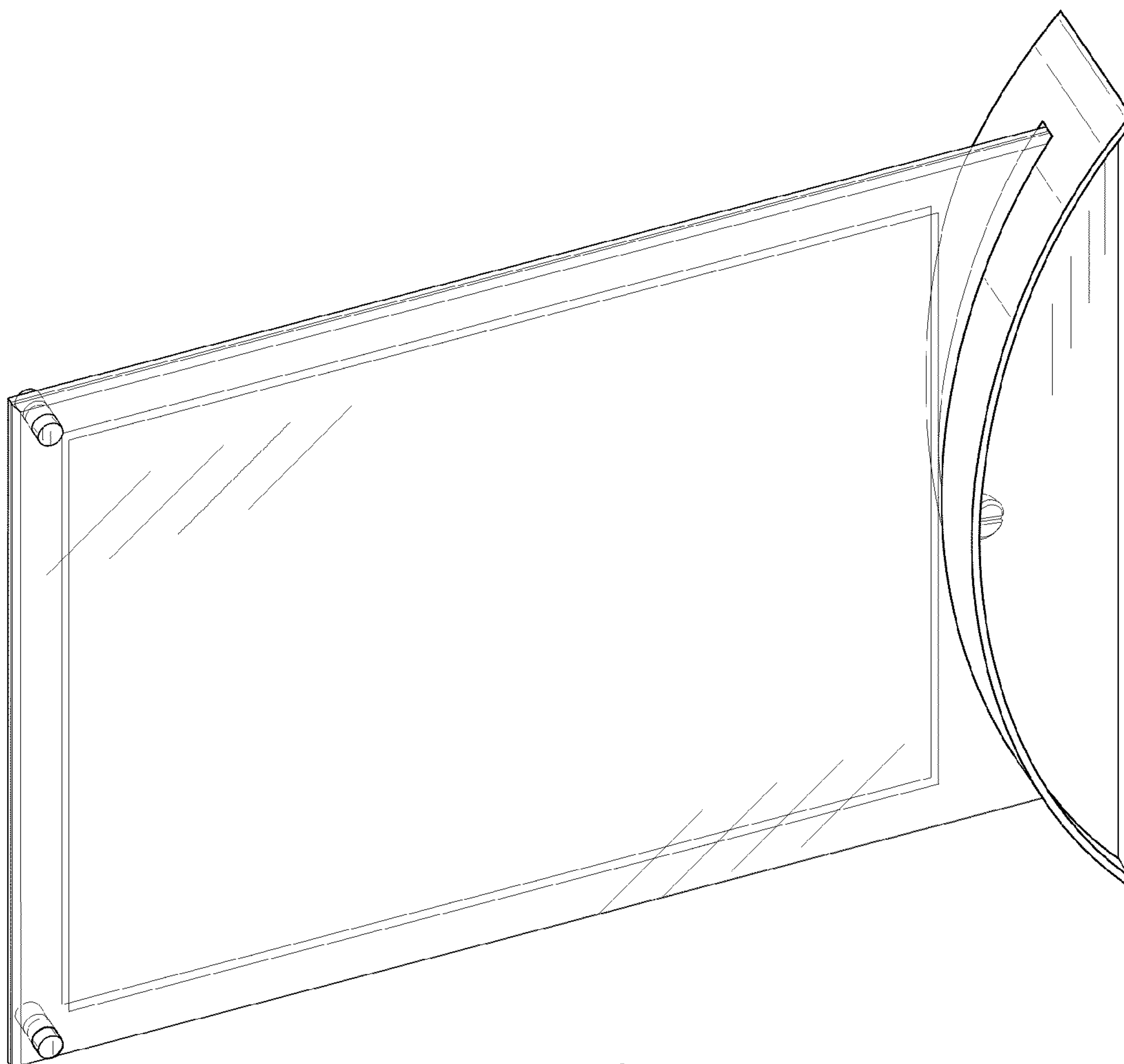


Fig. 6

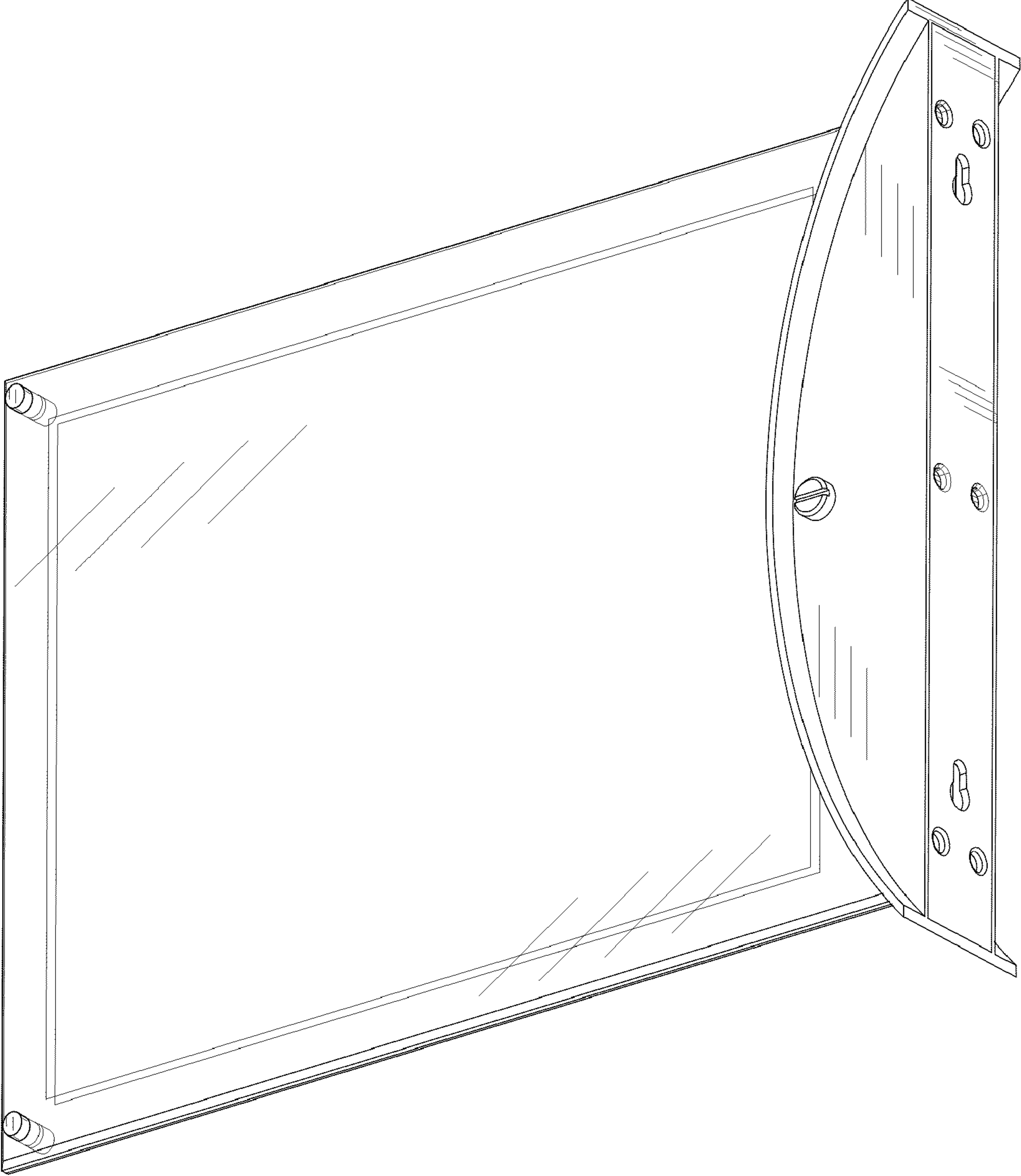


Fig. 7