



US00D647140S

(12) **United States Design Patent**
Ray

(10) **Patent No.:** **US D647,140 S**
(45) **Date of Patent:** **** Oct. 18, 2011**

(54) **PENCIL SHARPENER**

(76) Inventor: **Ivan M. Ray**, Newton, KS (US)

(**) Term: **14 Years**

(21) Appl. No.: **29/356,656**

(22) Filed: **Mar. 1, 2010**

(51) **LOC (9) Cl.** **19-06**

(52) **U.S. Cl.** **D19/73**

(58) **Field of Classification Search** D8/91,
D8/98; D19/72-74, 99, 100; 30/451-462;
144/28.1, 28.11, 28.2-28.7, 28.72, 28.8,
144/28.9; D14/187, 204

See application file for complete search history.

(56) **References Cited**

U.S. PATENT DOCUMENTS

199,448	A *	1/1878	Keyes	30/458
786,395	A *	4/1905	Zellers	181/178
936,910	A *	10/1909	Kingsley	181/178
D46,404	S *	9/1914	Lougee	D14/187
1,158,871	A *	11/1915	Tomlin	138/166
D67,239	S *	5/1925	Skinner	D14/187
1,581,972	A *	4/1926	Mason	181/141
2,517,665	A *	8/1950	Hochstein	181/178
3,450,226	A *	6/1969	Kessler	181/180
D223,703	S *	5/1972	Cheladze	D7/523
D223,704	S *	5/1972	Cheladze	D7/509
4,125,218	A *	11/1978	DeBoer	229/400
D283,772	S *	5/1986	Vail	D7/536
4,613,012	A *	9/1986	Mueller, III	181/178
4,703,829	A *	11/1987	Hardt	181/178
5,094,317	A *	3/1992	Ladendorf	181/178
D338,464	S *	8/1993	Darby	D14/187
5,675,133	A *	10/1997	Kobayashi	181/189
D403,399	S *	12/1998	Montgomery et al.	D24/120
5,967,405	A *	10/1999	Hanauska	229/103

5,967,875	A *	10/1999	Graef	446/74
D447,915	S *	9/2001	Lefroy-Brooks	D7/507
D471,926	S *	3/2003	Allen	D16/135
D548,526	S *	8/2007	Huffman et al.	D7/523
D559,830	S *	1/2008	Lintern	D14/187
D587,402	S *	2/2009	Priester et al.	D28/41
D620,314	S *	7/2010	Dorsey et al.	D7/507
D623,961	S *	9/2010	Maccario	D9/737
2006/0266579	A1 *	11/2006	Stern et al.	181/178

* cited by examiner

Primary Examiner — Elizabeth Albert

(74) *Attorney, Agent, or Firm* — Kenneth H. Jack; Davis & Jack, LLC

(57) **CLAIM**

The ornamental design for a pencil sharpener, as shown and described.

DESCRIPTION

FIG. 1 is a perspective view of the pencil sharpener showing my new design.

FIG. 2 is another perspective view of the pencil sharpener of FIG. 1; and,

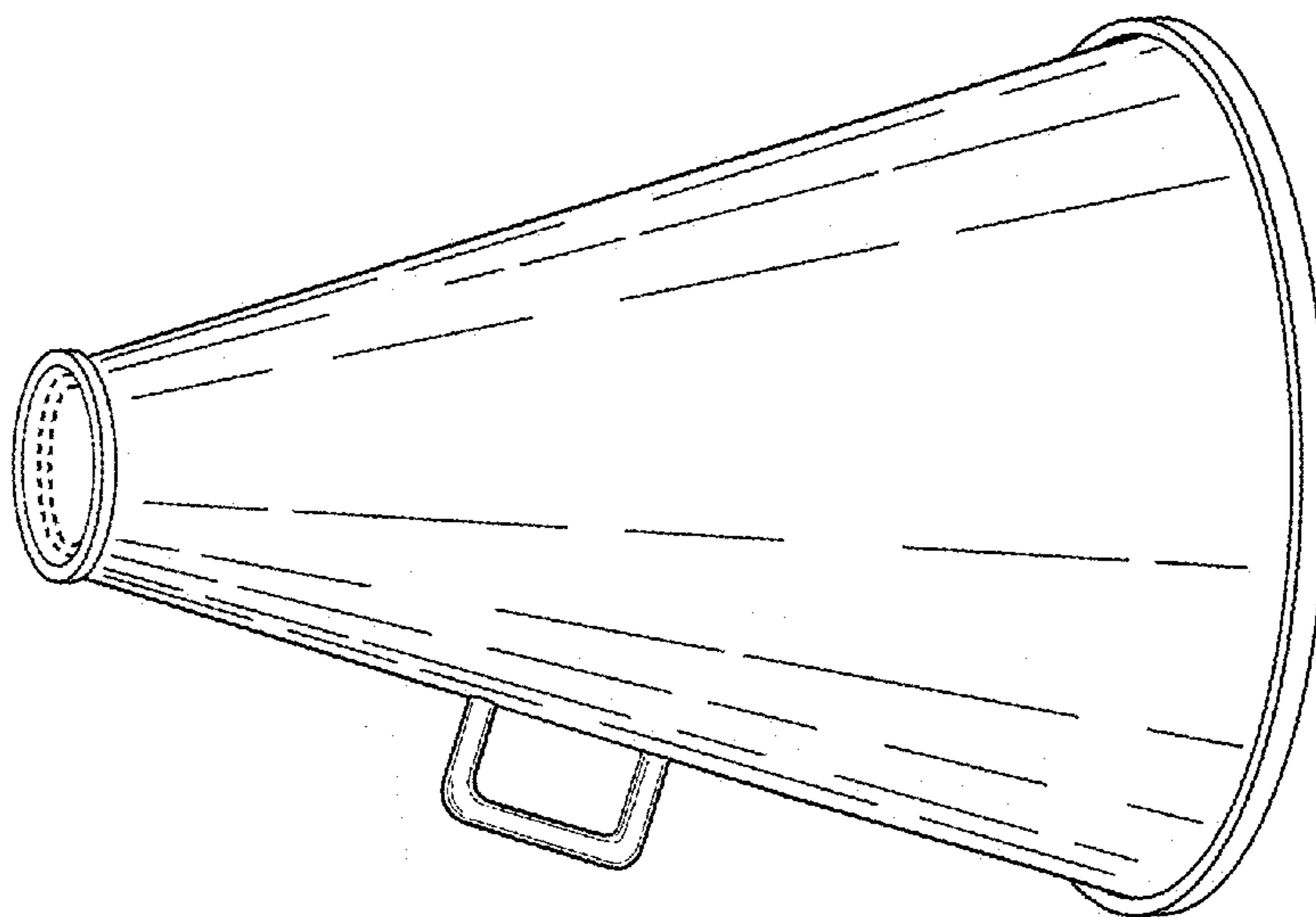
FIG. 3 is a left side, elevational view of the pencil sharpener of FIG. 1.

(The broken lines appearing in FIGS. 1, 2, and 3 showing a pencil and showing other features are included for the purpose of illustrating environmental matter and form no part of the claimed design.)

The intended use of the article in which the design is embodied is the sharpening of pencils.

A feature of the article in which the design is embodied is its depiction of or configuration as a stentor or megaphone.

1 Claim, 3 Drawing Sheets



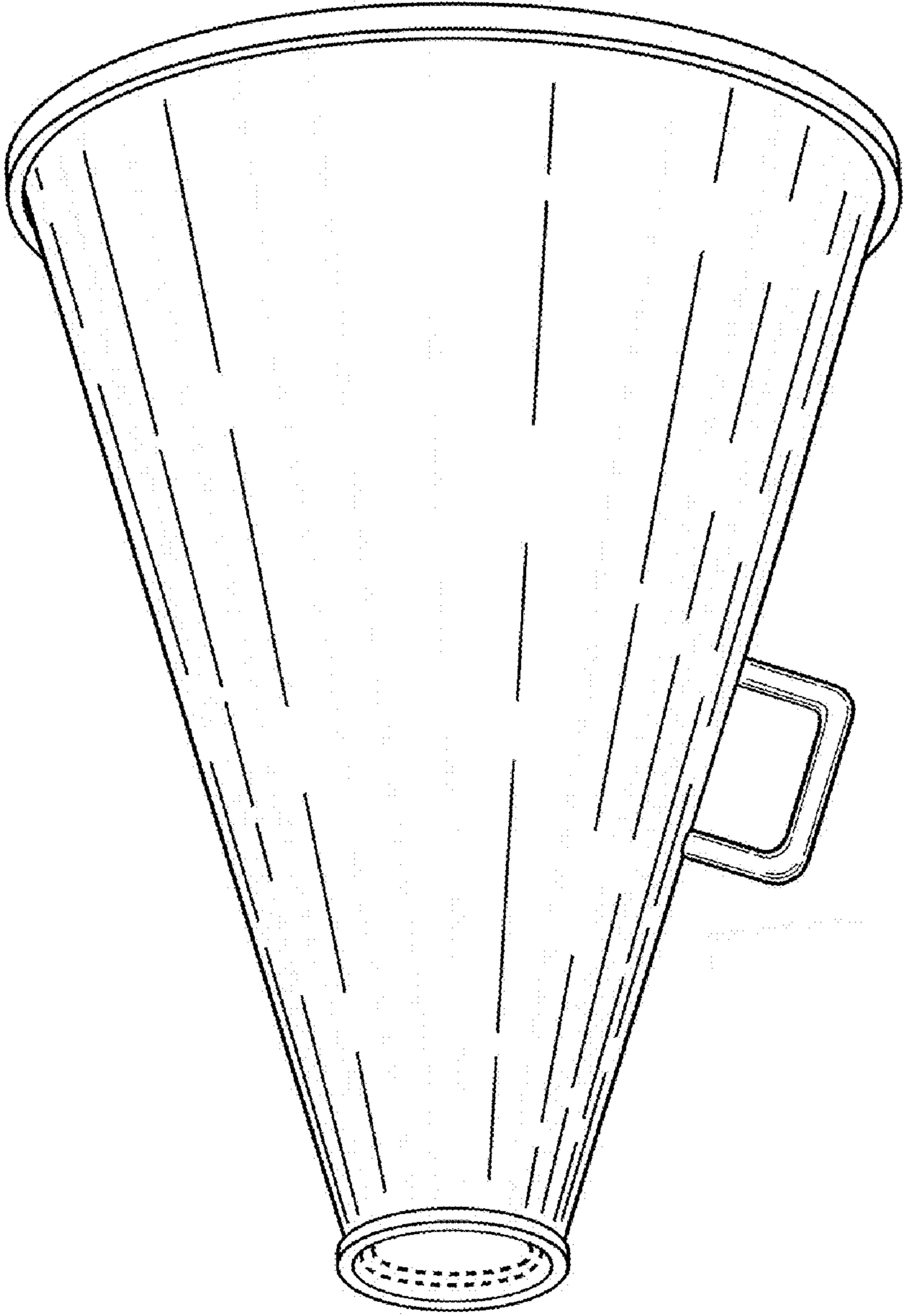


Figure 1

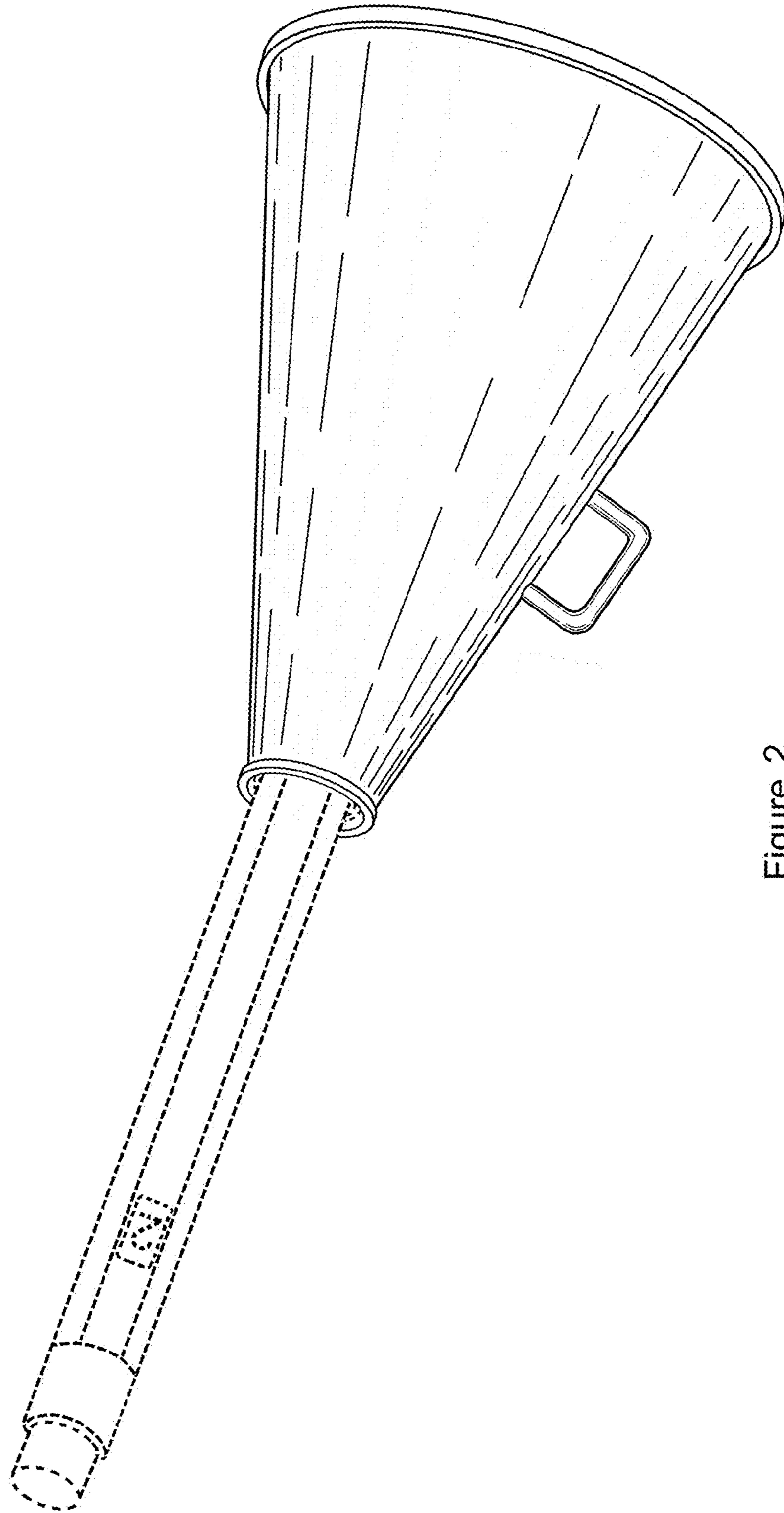


Figure 2

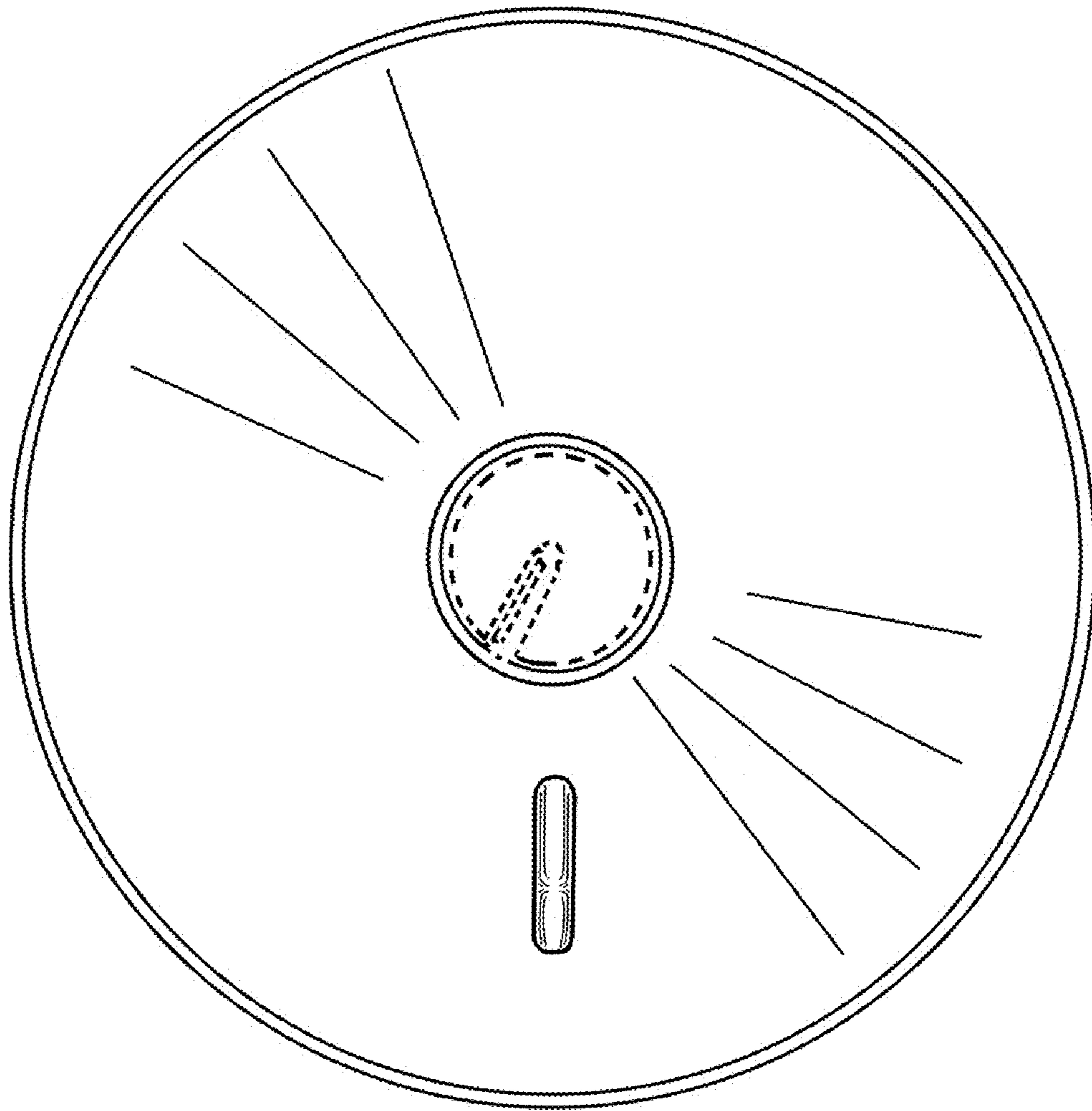


Figure 3