



US00D647136S

(12) **United States Design Patent**
Emch

(10) **Patent No.:** **US D647,136 S**
(45) **Date of Patent:** **** Oct. 18, 2011**

(54) **PEN WITH SUPPORT**

(75) Inventor: **Manuel Emch**, Wollerau (CH)

(73) Assignee: **RJ Watches S.A.**, Geneva (CH)

(**) Term: **14 Years**

(21) Appl. No.: **29/370,866**

(22) Filed: **Sep. 15, 2010**

(30) **Foreign Application Priority Data**

Mar. 16, 2010 (CH) 136.774

(51) **LOC (9) Cl.** **19-06**

(52) **U.S. Cl.** **D19/42**

(58) **Field of Classification Search** D19/35,
D19/36, 41-51, 54-58; 24/10 R, 11 CC,
24/11 F, 11 P, 11 PP, 11 R; 401/52, 99-114,
401/192, 193, 195-198; D9/674; D21/448,
D21/452

See application file for complete search history.

(56) **References Cited**

U.S. PATENT DOCUMENTS

D168,314 S *	12/1952	McLain	D21/572
2,918,751 A *	12/1959	Johnson	89/1.806
3,378,216 A *	4/1968	Oss et al.	244/3.24
3,650,214 A *	3/1972	Green	446/211
3,699,891 A *	10/1972	Kreuzer et al.	102/374
3,790,103 A *	2/1974	Peoples	244/3.23
D252,169 S *	6/1979	Lacko, Sr.	D26/97
D272,425 S *	1/1984	Carroll	D11/125

D312,667 S *	12/1990	Visco et al.	D21/448
D358,433 S *	5/1995	Choi	D21/575
D367,671 S *	3/1996	Pijlman	D19/42
D405,848 S *	2/1999	Mooradian	D21/452
D431,055 S *	9/2000	Tachau et al.	D21/448
D564,361 S *	3/2008	Stearns	D9/674
D597,148 S *	7/2009	Lin	D21/448
D599,854 S *	9/2009	Garza et al.	D19/42
D613,741 S *	4/2010	Swan	D14/411

FOREIGN PATENT DOCUMENTS

WO DM/074860 * 9/2010

* cited by examiner

Primary Examiner — Elizabeth Albert

(74) *Attorney, Agent, or Firm* — Clifford W. Browning;
Krieg DeVault LLP

(57) **CLAIM**

The ornamental design for a pen with support, as shown and described.

DESCRIPTION

FIG. 1 is a top view of the pen with support of the present invention.

FIG. 2 is a bottom view of the pen with support of FIG. 1.

FIG. 3 is a right side view of the pen with support of FIG. 1.

FIG. 4 is a front view of the pen with support of FIG. 1.

FIG. 5 is a left side view of the pen with support of FIG. 1.

FIG. 6 is a rear view of the pen with support of FIG. 1; and,

FIG. 7 is a perspective view of the pen with support of FIG. 1.

1 Claim, 4 Drawing Sheets

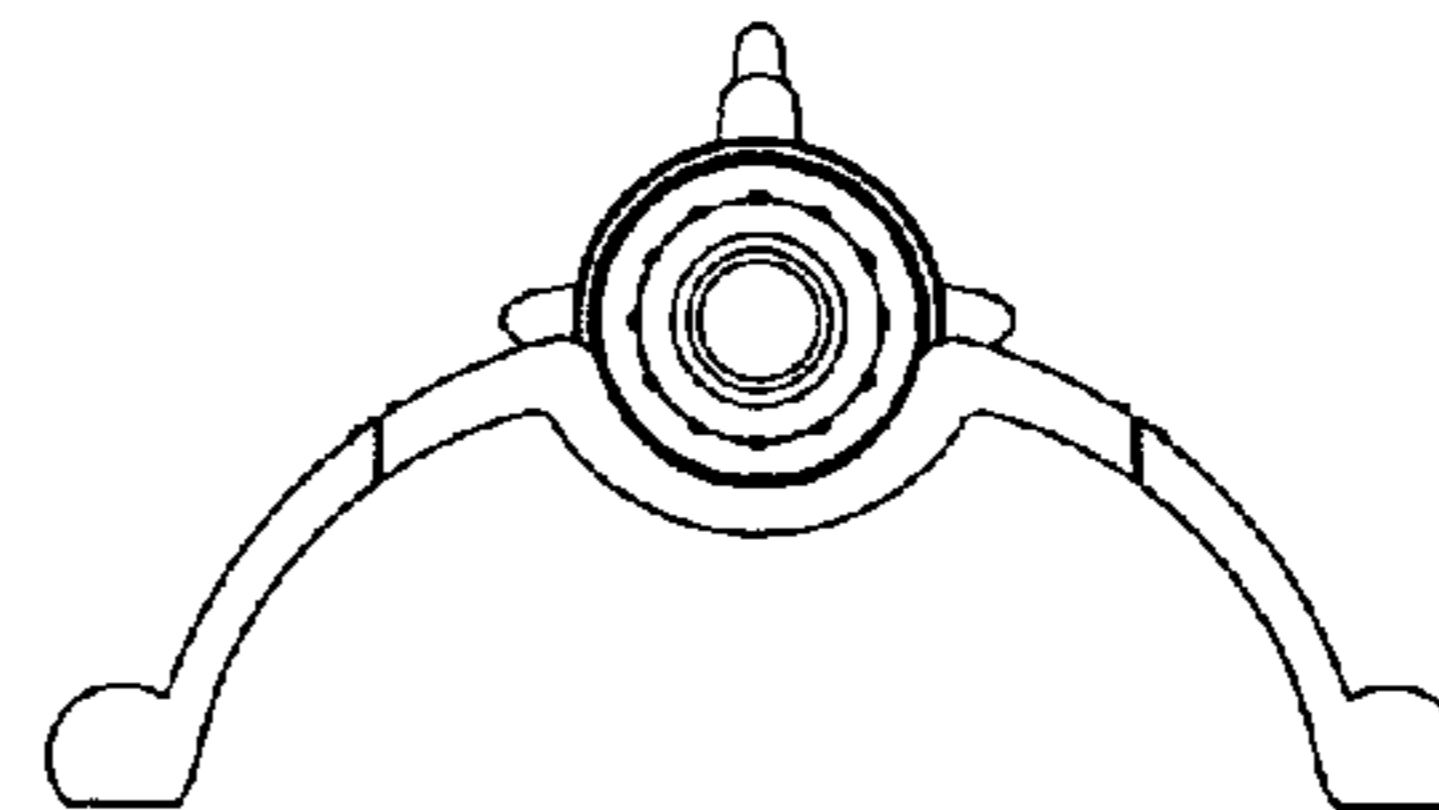
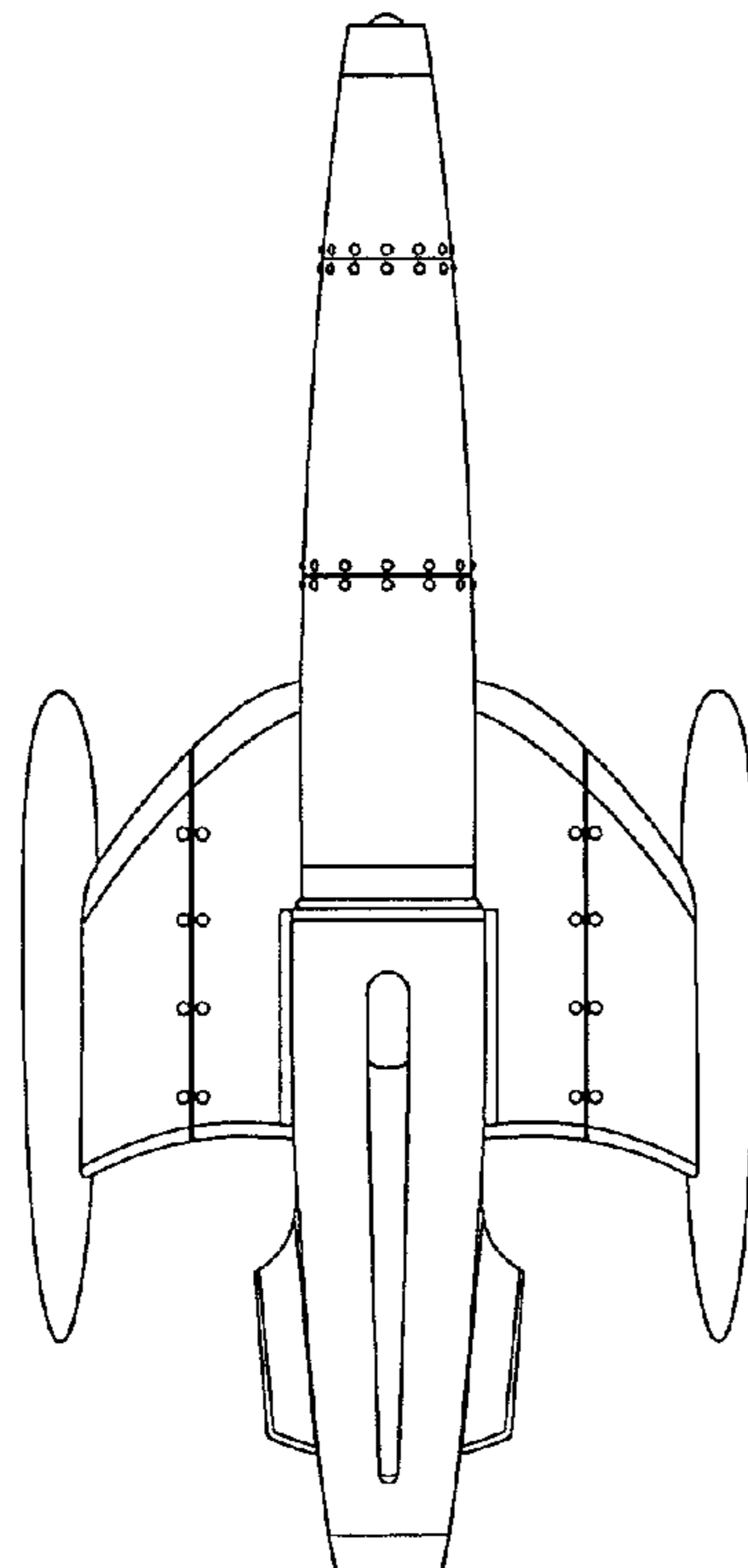


Fig. 1

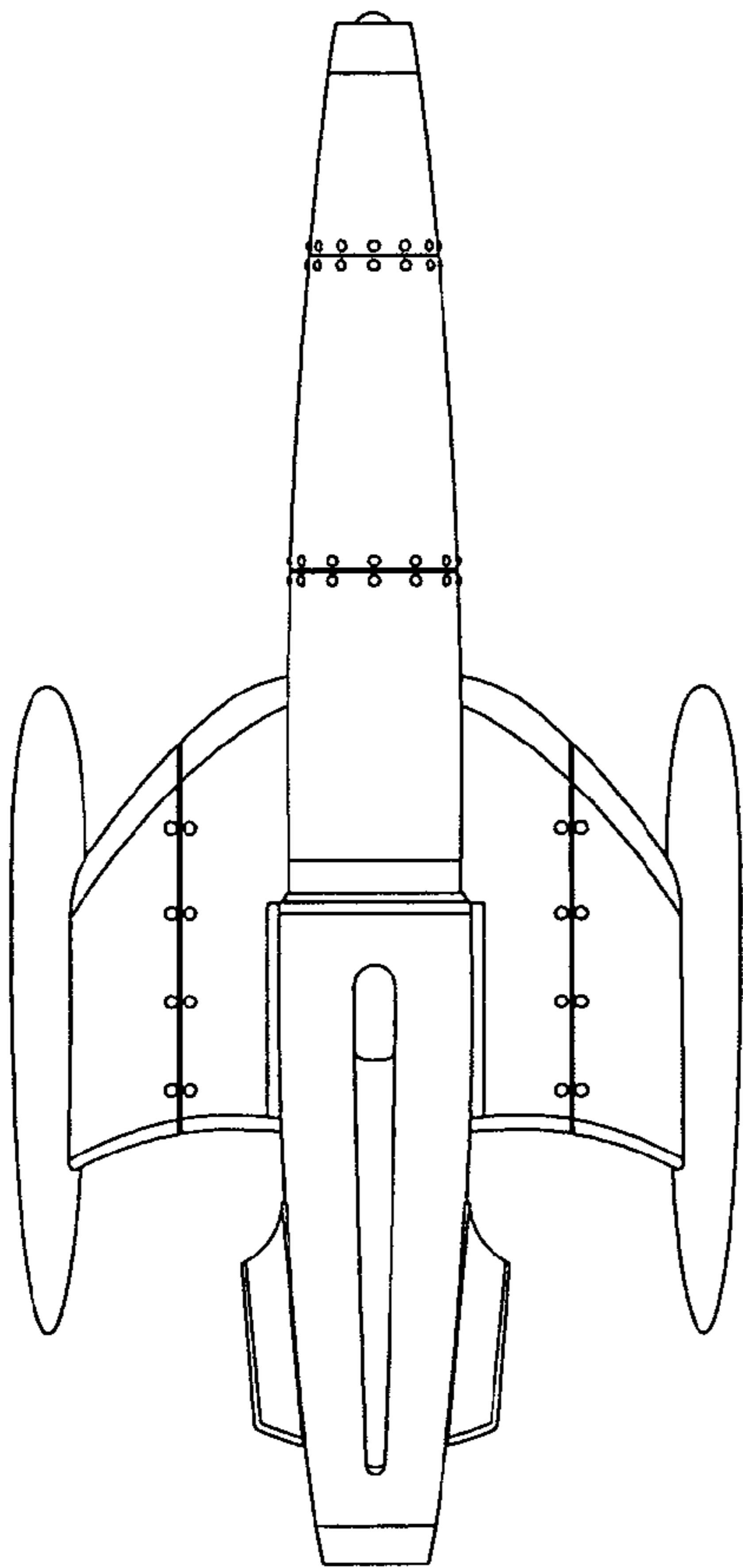


Fig. 2

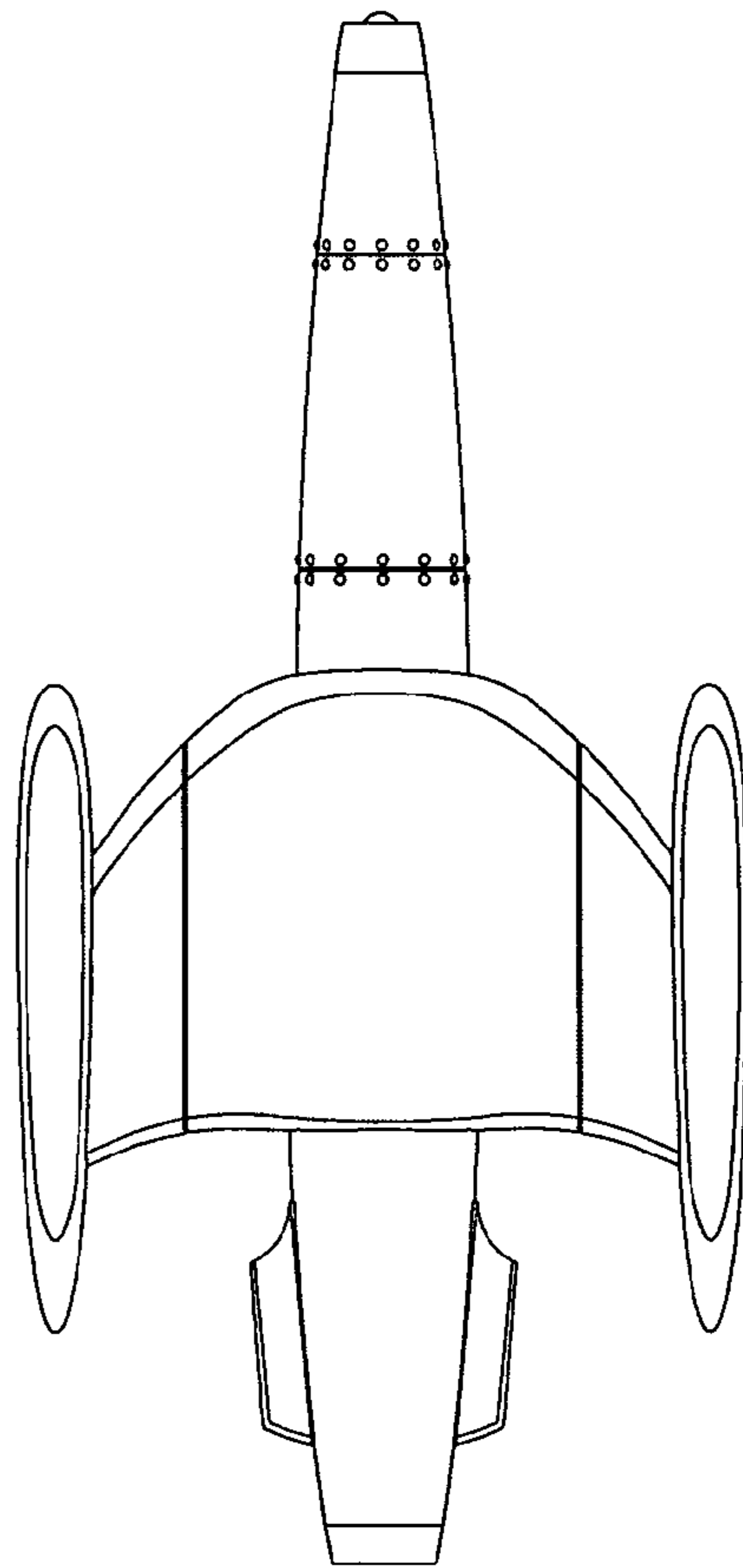


Fig.3

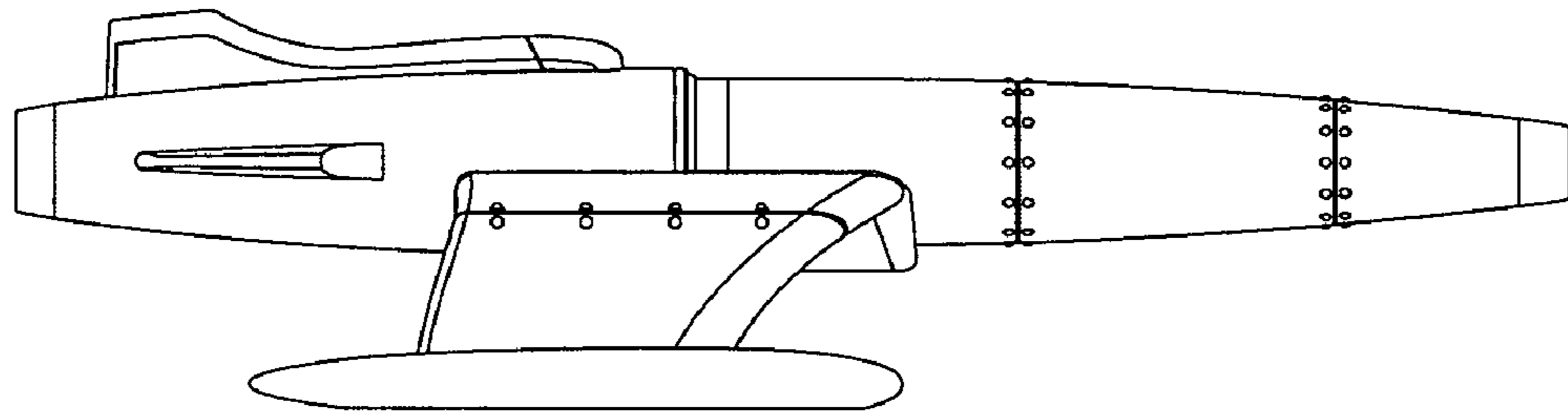


Fig.4

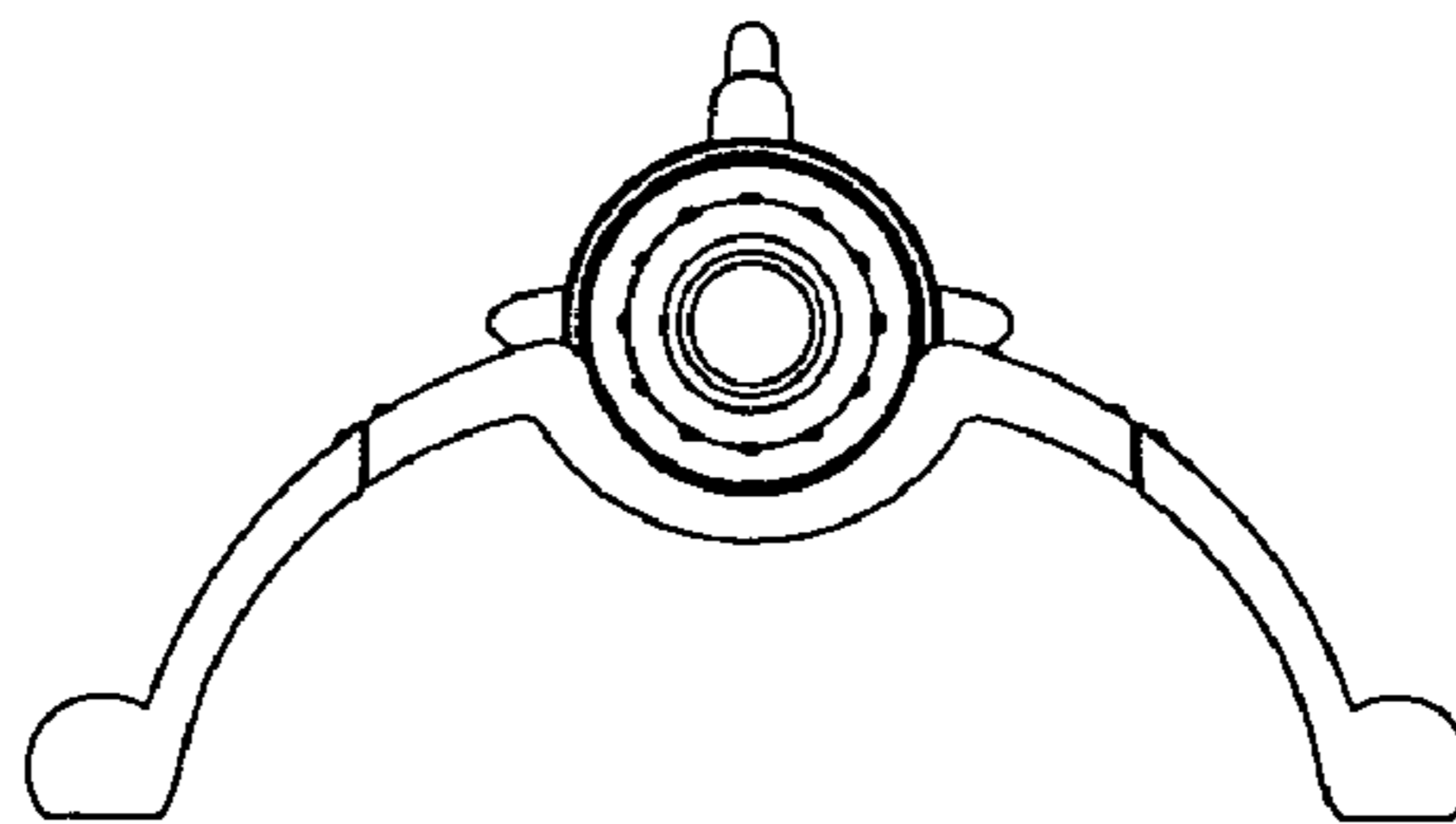


Fig. 5

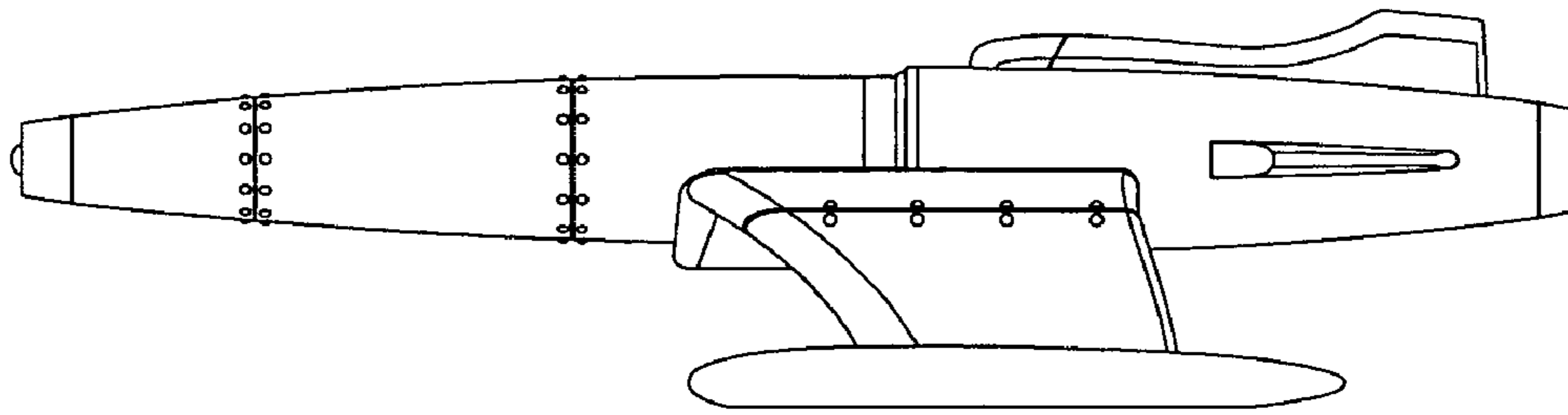


Fig. 6

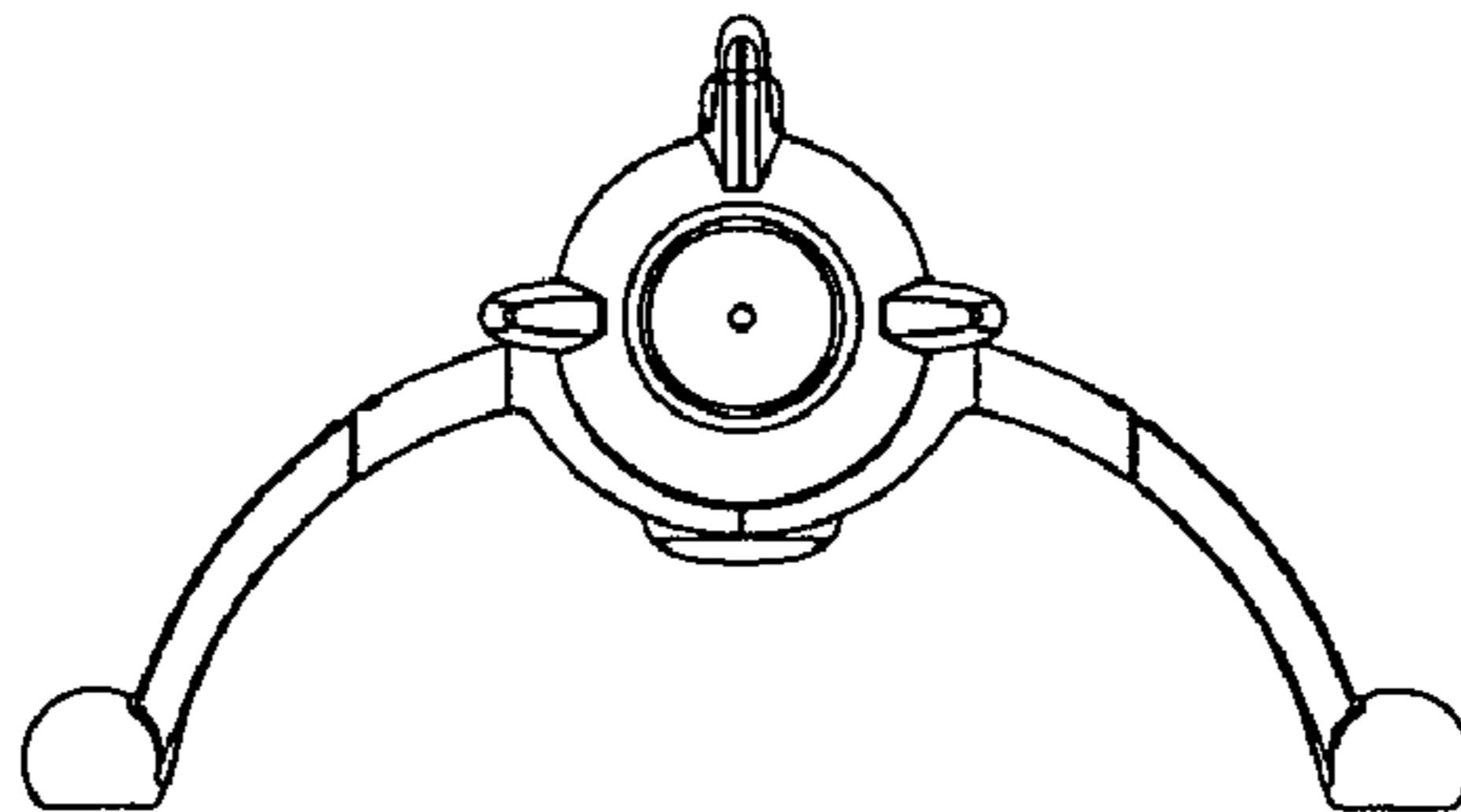


Fig. 7

