



US00D647133S

(12) **United States Design Patent**
Sato et al.

(10) **Patent No.:** **US D647,133 S**

(45) **Date of Patent:** **** Oct. 18, 2011**

(54) **PRINTER**

(75) Inventors: **Yukihiko Sato**, Nagoya (JP); **Keiichiro Egami**, Nagoya (JP); **Kayo Hasui**, Nagoya (JP); **Jiro Suzuki**, Nagoya (JP)

(73) Assignee: **Brother Industries, Ltd.**, Nagoya (JP)

(**) Term: **14 Years**

(21) Appl. No.: **29/387,741**

(22) Filed: **Mar. 17, 2011**

| | | | | |
|--------------|---------|-----------------|-------|--------|
| D534,578 S * | 1/2007 | Katayama et al. | | D18/55 |
| D545,357 S | 6/2007 | Hattori et al. | | |
| D548,776 S | 8/2007 | Egami et al. | | |
| D552,169 S | 10/2007 | Egami et al. | | |
| D574,886 S | 8/2008 | Mase et al. | | |
| D575,330 S * | 8/2008 | Egami et al. | | D18/55 |
| D579,973 S | 11/2008 | Park et al. | | |
| D586,385 S | 2/2009 | Kim et al. | | |
| D589,084 S | 3/2009 | Suzuki et al. | | |
| D596,227 S * | 7/2009 | Larson et al. | | D18/55 |
| D607,505 S | 1/2010 | Sasaki et al. | | |
| D613,792 S | 4/2010 | Suzuki et al. | | |
| D614,235 S | 4/2010 | Nakata | | |
| D616,927 S | 6/2010 | Suzuki et al. | | |
| D622,762 S | 8/2010 | Egami et al. | | |

* cited by examiner

Related U.S. Application Data

(62) Division of application No. 29/357,024, filed on Mar. 5, 2010.

Primary Examiner — Cathy A MacCormac

(74) *Attorney, Agent, or Firm* — Oliff & Berridge, PLC

(30) **Foreign Application Priority Data**

Sep. 10, 2009 (JP) 2009-20879
Nov. 4, 2009 (JP) 2009-25793

(57) **CLAIM**

The ornamental design for a printer, as shown and described.

(51) **LOC (9) Cl.** **14-02**

(52) **U.S. Cl.** **D18/55**

(58) **Field of Classification Search** D18/14,
D18/19, 36-37, 50, 54, 54.1, 55; D14/420-425,
D14/463-470; 400/613, 613.1-613.4, 690.1-690.4,
400/691-694

See application file for complete search history.

DESCRIPTION

FIG. 1 is a perspective view of the printer;

FIG. 2 is a front view thereof;

FIG. 3 is a top view thereof;

FIG. 4 is a right-side view thereof;

FIG. 5 is a left-side view thereof;

FIG. 6 is a rear view thereof;

FIG. 7 is a bottom view thereof; and,

FIG. 8 is a partial cross-sectional view thereof taken along lines 8-8 in FIG. 4.

The broken lines depict environmental subject matter only and form no part of the claimed design.

(56) **References Cited**

U.S. PATENT DOCUMENTS

D421,045 S * 2/2000 Quijano D18/55
D502,500 S * 3/2005 Hoshiya et al. D18/50

1 Claim, 8 Drawing Sheets

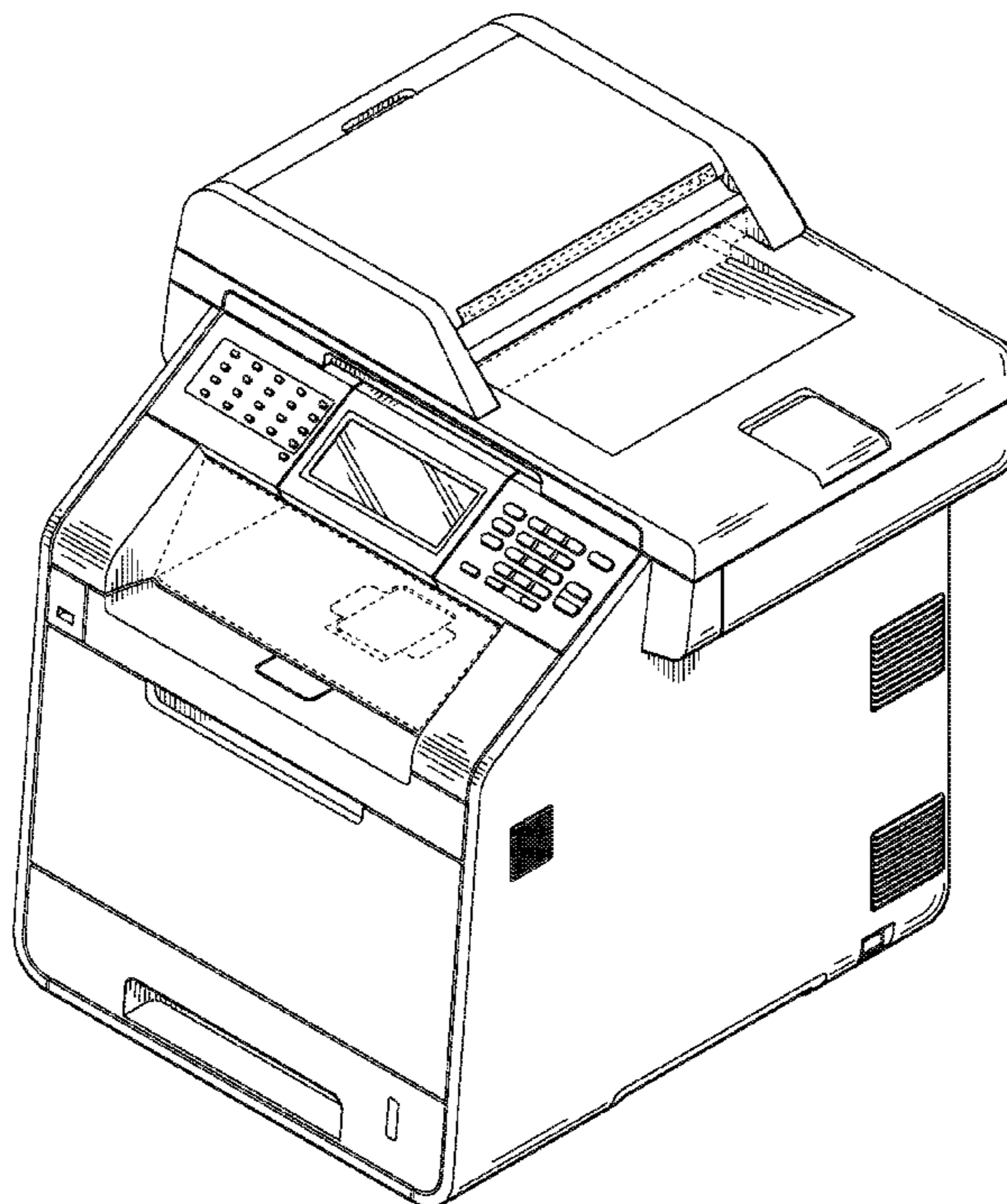




FIG. 1

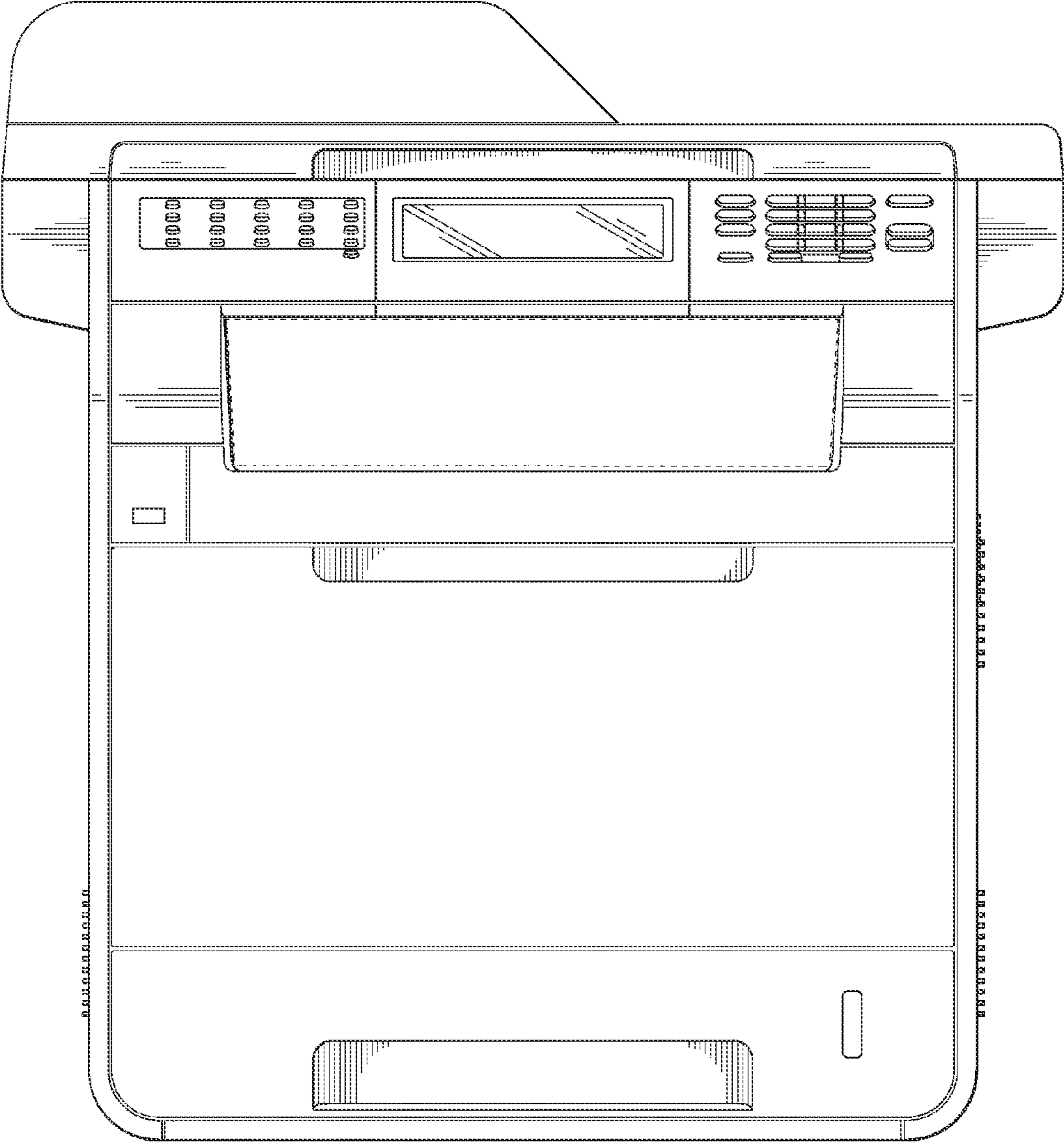


FIG. 2

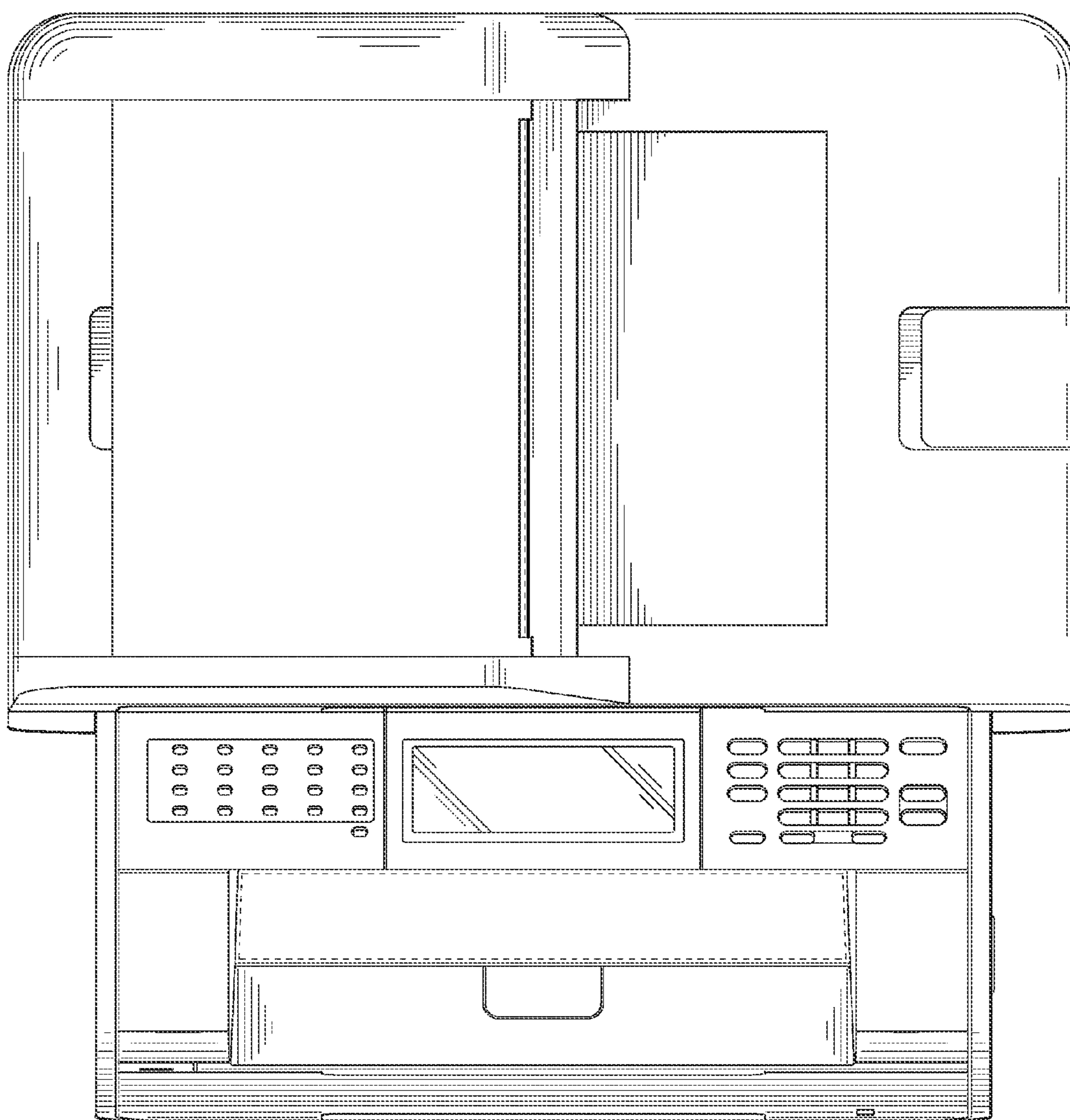


FIG. 3

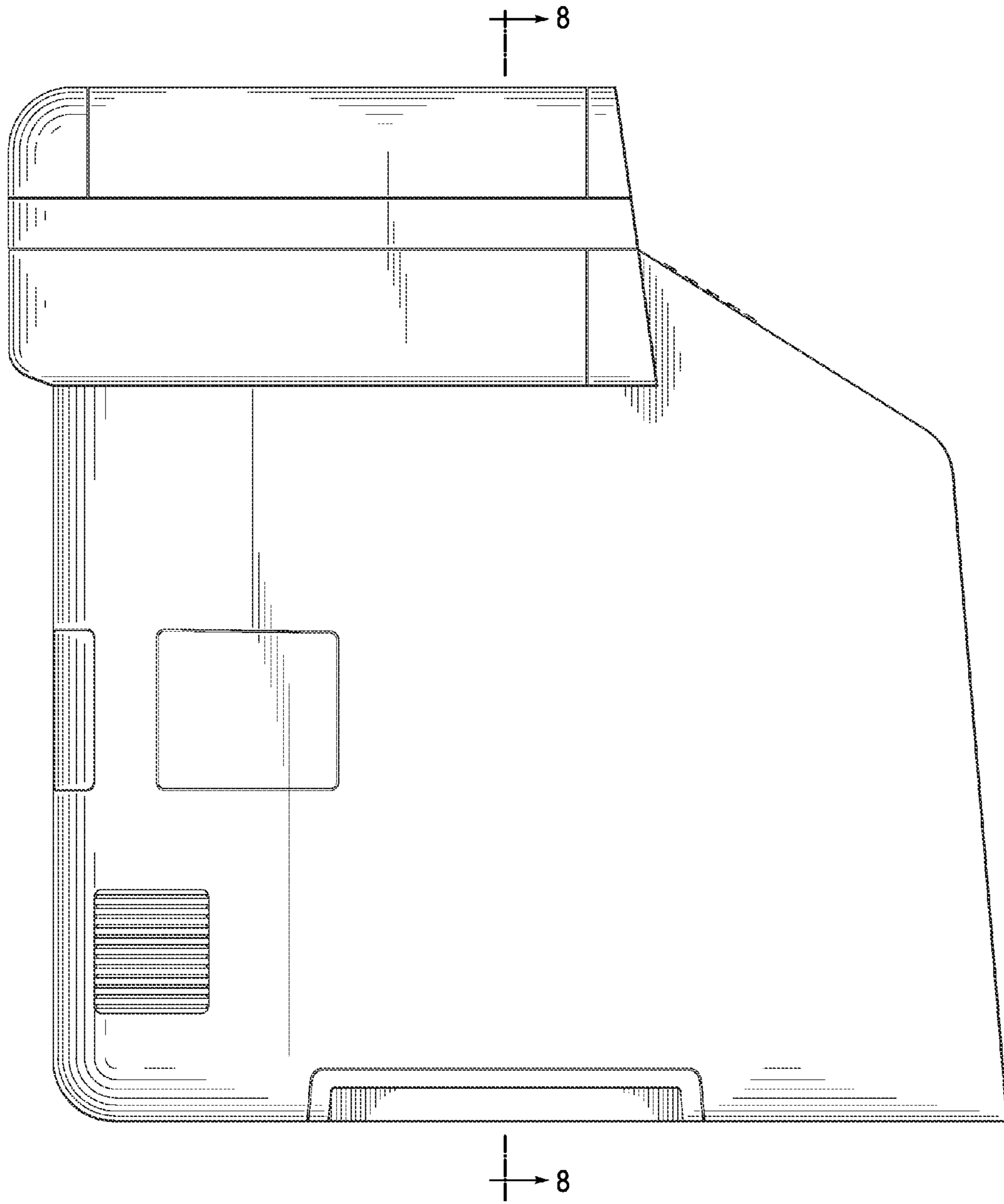


FIG. 4

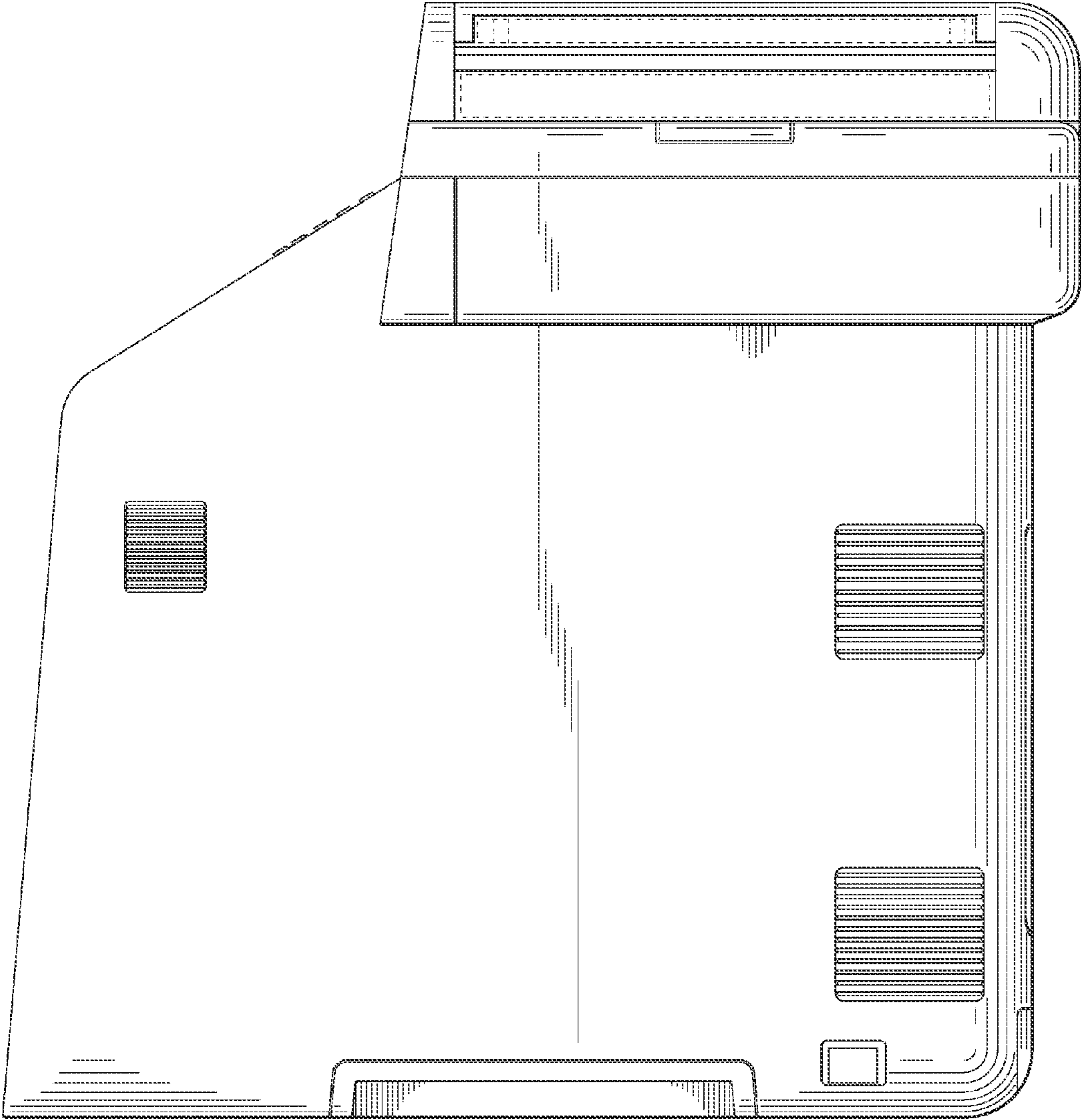


FIG. 5

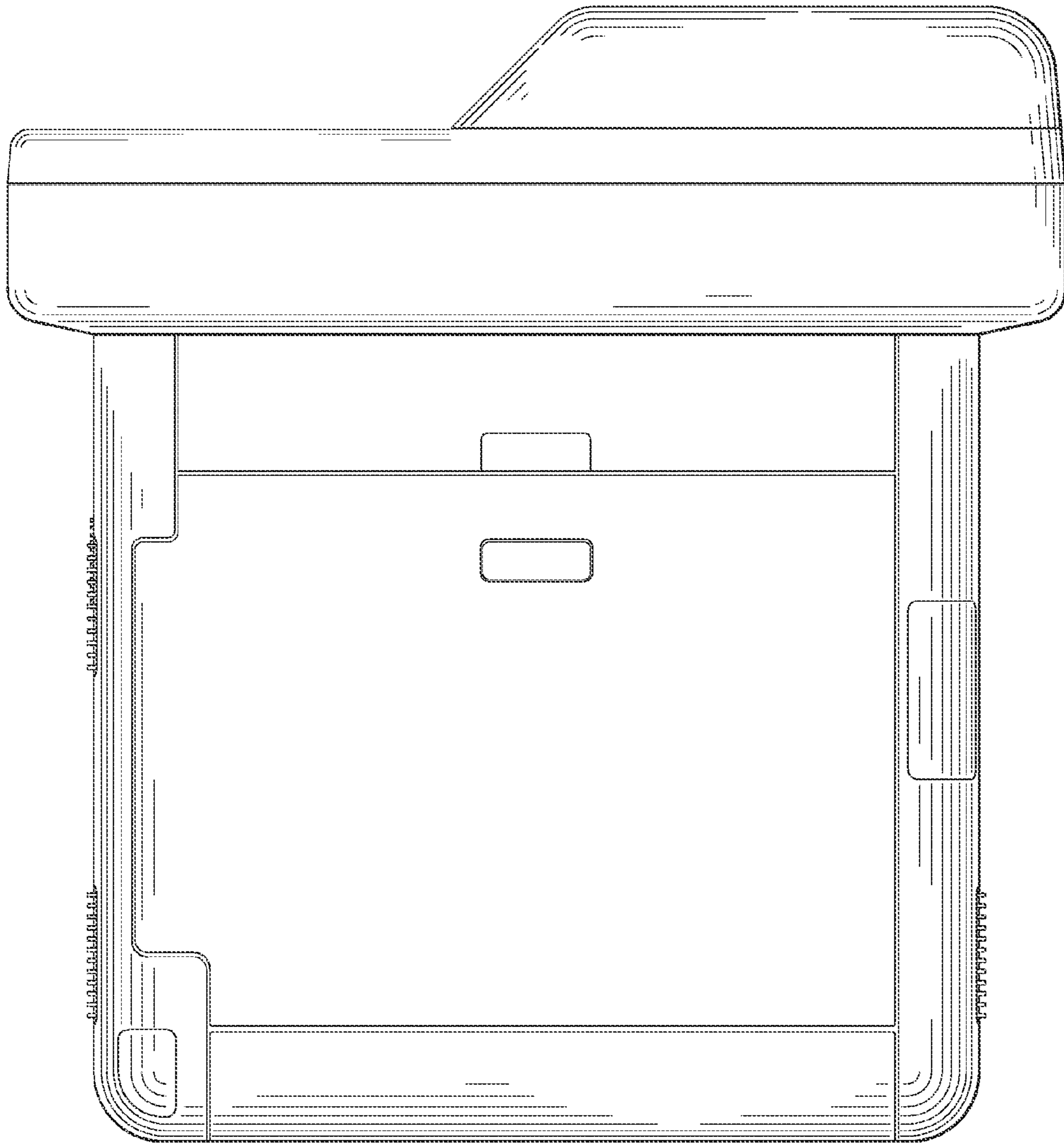


FIG. 6

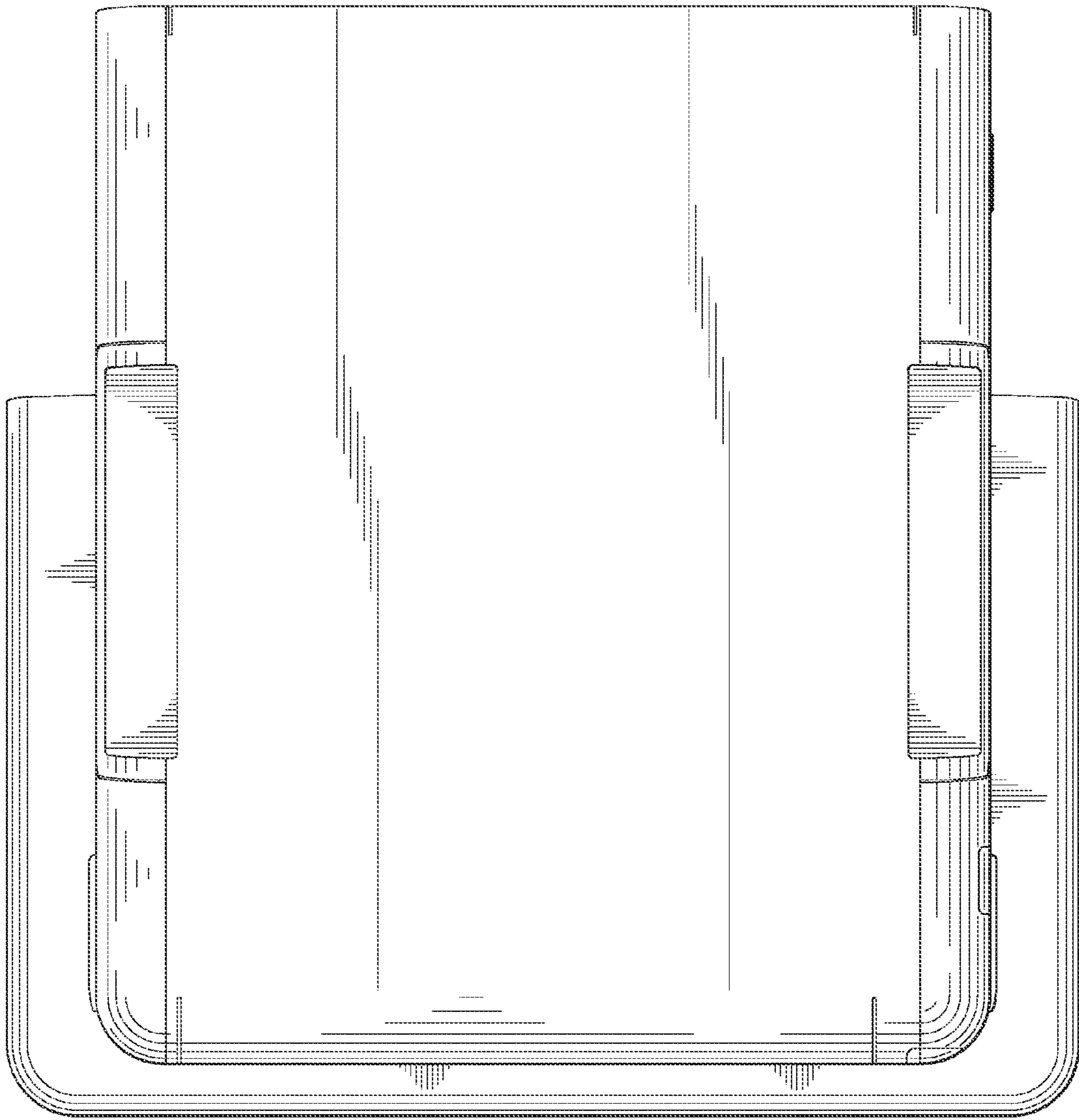


FIG. 7

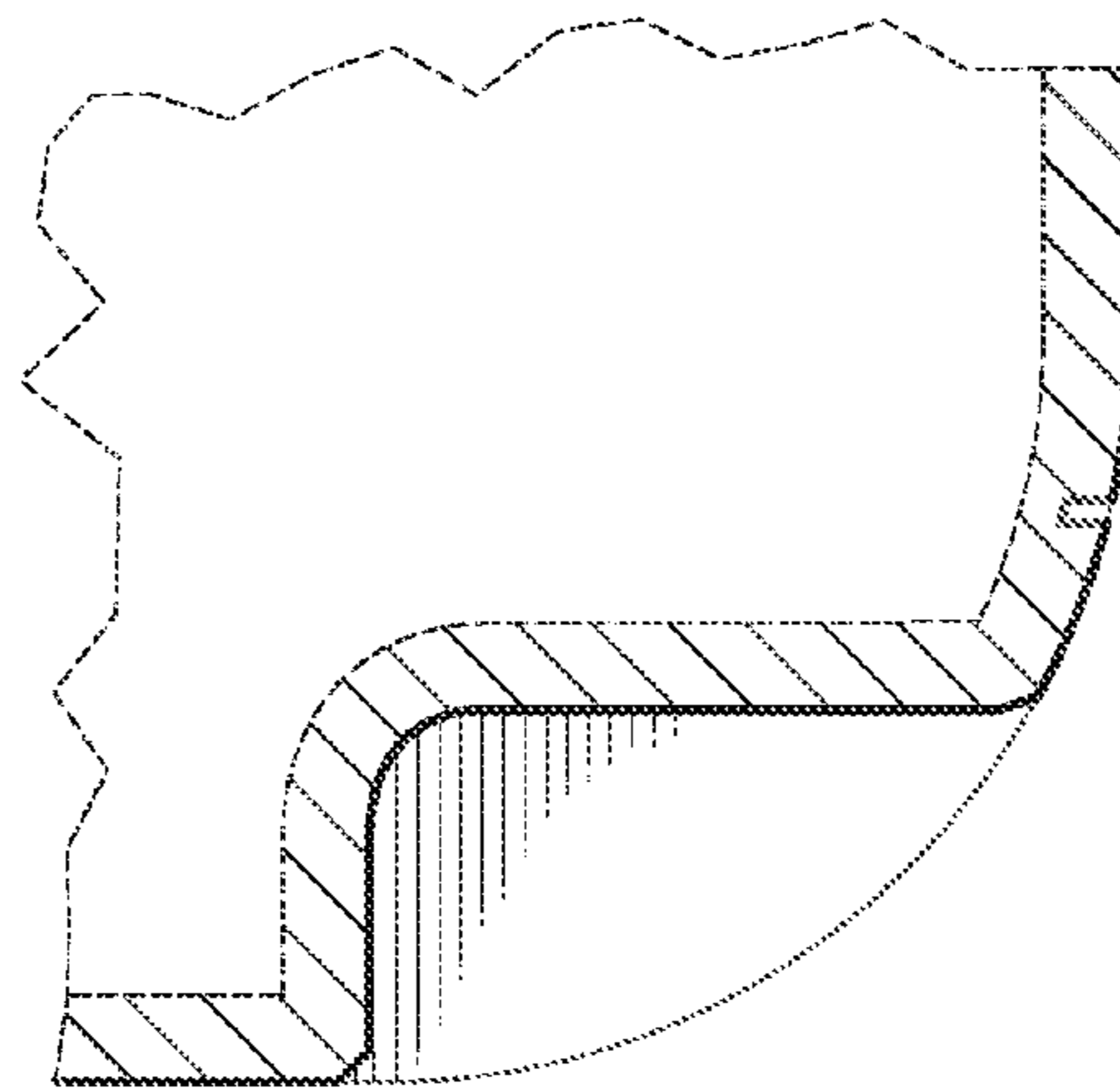


FIG. 8