



US00D647131S

(12) **United States Design Patent**
Park et al.

(10) **Patent No.:** **US D647,131 S**
(45) **Date of Patent:** **** Oct. 18, 2011**

(54) **LASER PRINTER**

(75) Inventors: **Ji-Sang Park**, Kyunggi-do (KR);
Hoon-Tae Kim, Seoul (KR); **Yun-Gi Hong**,
Kyunggi-do (KR)

(73) Assignee: **Samsung Electronics Co., Ltd.**, Suwon,
Kyunggi-do (KR)

(**) Term: **14 Years**

(21) Appl. No.: **29/314,206**

(22) Filed: **Mar. 13, 2009**

(51) **LOC (9) Cl.** **14-02**

(52) **U.S. Cl.** **D18/55**

(58) **Field of Classification Search** D18/36-39,
D18/50, 54, 54.1, 55; D14/315, 327, 420-425,
D14/463-470; 400/613, 613.1-613.4, 690,
400/690.1-690.4, 691-694

See application file for complete search history.

(56) **References Cited**

U.S. PATENT DOCUMENTS

D326,867 S	6/1992	Kwak	
D359,506 S	6/1995	Lee	
D378,218 S	2/1997	Hong et al.	
6,612,763 B1 *	9/2003	Yoshihara	400/692
D527,045 S	8/2006	Lim et al.	
D530,737 S	10/2006	Lim et al.	
D532,043 S	11/2006	Park et al.	
D535,325 S *	1/2007	Yamaguchi	D18/55
D536,372 S	2/2007	Lim et al.	
D551,700 S	9/2007	Park et al.	
D552,170 S	10/2007	Kim et al.	
D555,195 S	11/2007	Park et al.	
D555,722 S	11/2007	Bae et al.	
D556,253 S	11/2007	Hong et al.	
D556,822 S	12/2007	Hong et al.	
D558,261 S	12/2007	Hong et al.	
D558,262 S	12/2007	Hong et al.	
D558,820 S	1/2008	Hong et al.	
D561,248 S *	2/2008	Lee et al.	D18/50

D561,824 S	2/2008	Park et al.	
D562,378 S	2/2008	Kim et al.	
D562,886 S *	2/2008	Egami et al.	D18/55
D573,178 S	7/2008	Lee et al.	
D573,179 S	7/2008	Bae et al.	
D578,494 S *	10/2008	Hattori	D18/55
D580,483 S	11/2008	Park et al.	
D581,976 S	12/2008	Park et al.	
D584,344 S	1/2009	Lee et al.	
D584,347 S	1/2009	Hong et al.	
D584,348 S	1/2009	Boo et al.	
D586,385 S	2/2009	Kim et al.	
D607,927 S *	1/2010	Kim et al.	D18/55

OTHER PUBLICATIONS

U.S. Appl. No. 29/294,097, Applicant: Hee-Yul Kim, et al., filed Dec. 21, 2007 entitled Laser Printer.

U.S. Appl. No. 29/294,093, Applicant: Hee-Yul Kim, et al., filed Dec. 21, 2007 entitled Laser Printer.

U.S. Appl. No. 29/293,252, Applicant: Ji-Sang Park, et al, filed Nov. 13, 2007 entitled Color Laser Printer.

(Continued)

Primary Examiner — Cathy A MacCormac

(74) *Attorney, Agent, or Firm* — Flynn, Thiel, Boutell & Tanis, P.C.

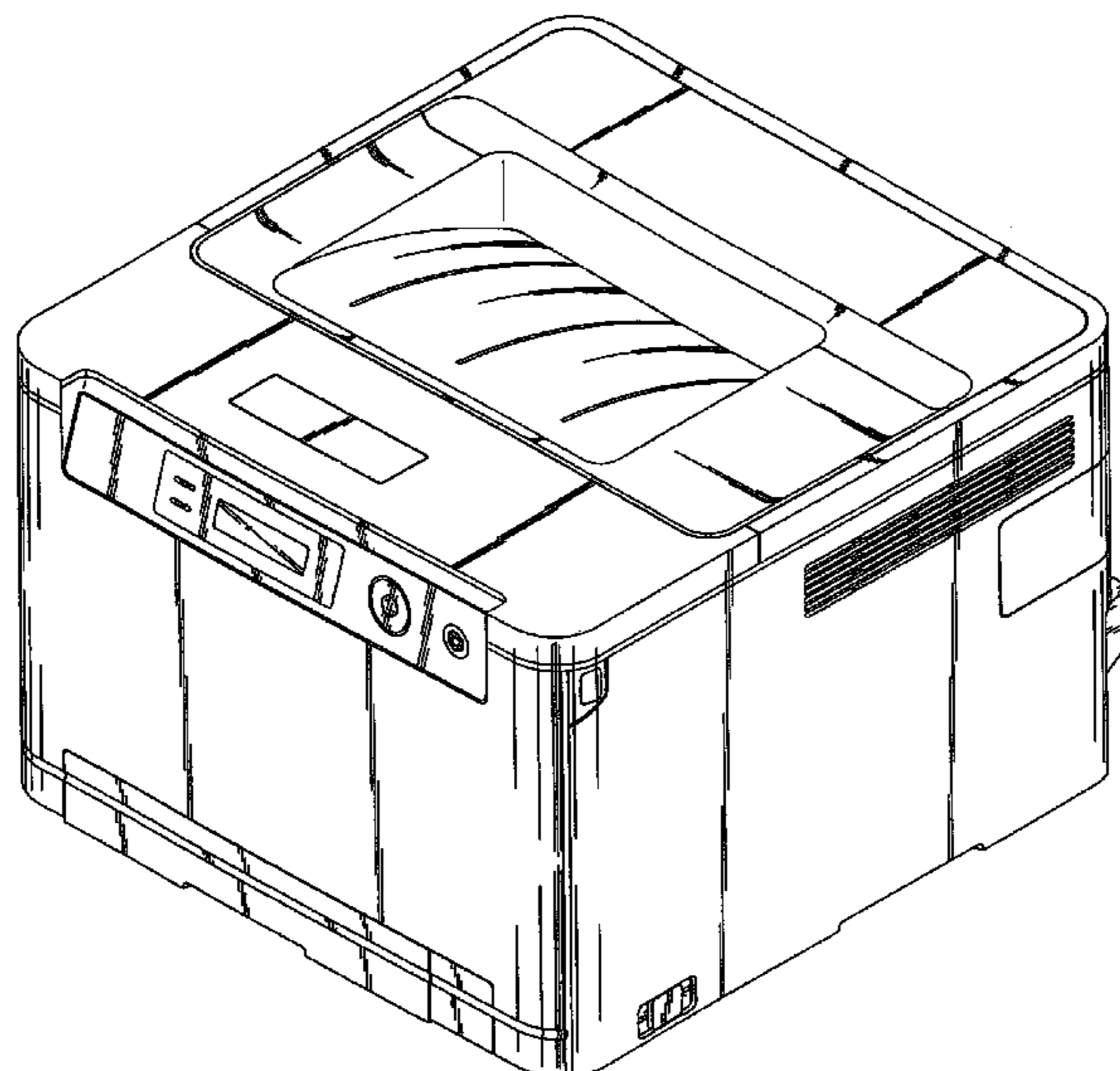
(57) **CLAIM**

The ornamental design for a laser printer, as shown and described.

DESCRIPTION

FIG. 1 is a top front perspective view of a laser printer showing our new design;
FIG. 2 is a front elevational view thereof;
FIG. 3 is a rear elevational view thereof;
FIG. 4 is a left side elevational view thereof;
FIG. 5 is a right side elevational view thereof;
FIG. 6 is a top plan view thereof; and,
FIG. 7 is a bottom plan view thereof.

1 Claim, 5 Drawing Sheets



OTHER PUBLICATIONS

U.S. Appl. No. 29/307,999, Applicant: Son-Young Lee, et al., filed May 22, 2008 entitled Laser Printer.

U.S. Appl. No. 29/308,001, Applicant: Kyong-Hwan Kim, et al., filed May 22, 2008 entitled Color Laser Printer.

U.S. Appl. No. 29/308,018, Applicant: Kyong-Hwan Kim, et al., filed May 22, 2008 entitled Laser Printer.

U.S. Appl. No. 29/310,435, Applicant: Jasper Morrison, et al., filed Aug. 15, 2008 entitled Color Laser Printer.

U.S. Appl. No. 29/313,583, Applicant: Jong-Kyu Kim, et al., filed Jan. 23, 2009 entitled Copy Machine Attached by Function of Scanner and Printer.

U.S. Appl. No. 29/313,861, Applicant: Hee-Yul Kim, filed Feb. 17, 2009 entitled Copy Machine Attached by Function of Scanner and Printer.

* cited by examiner

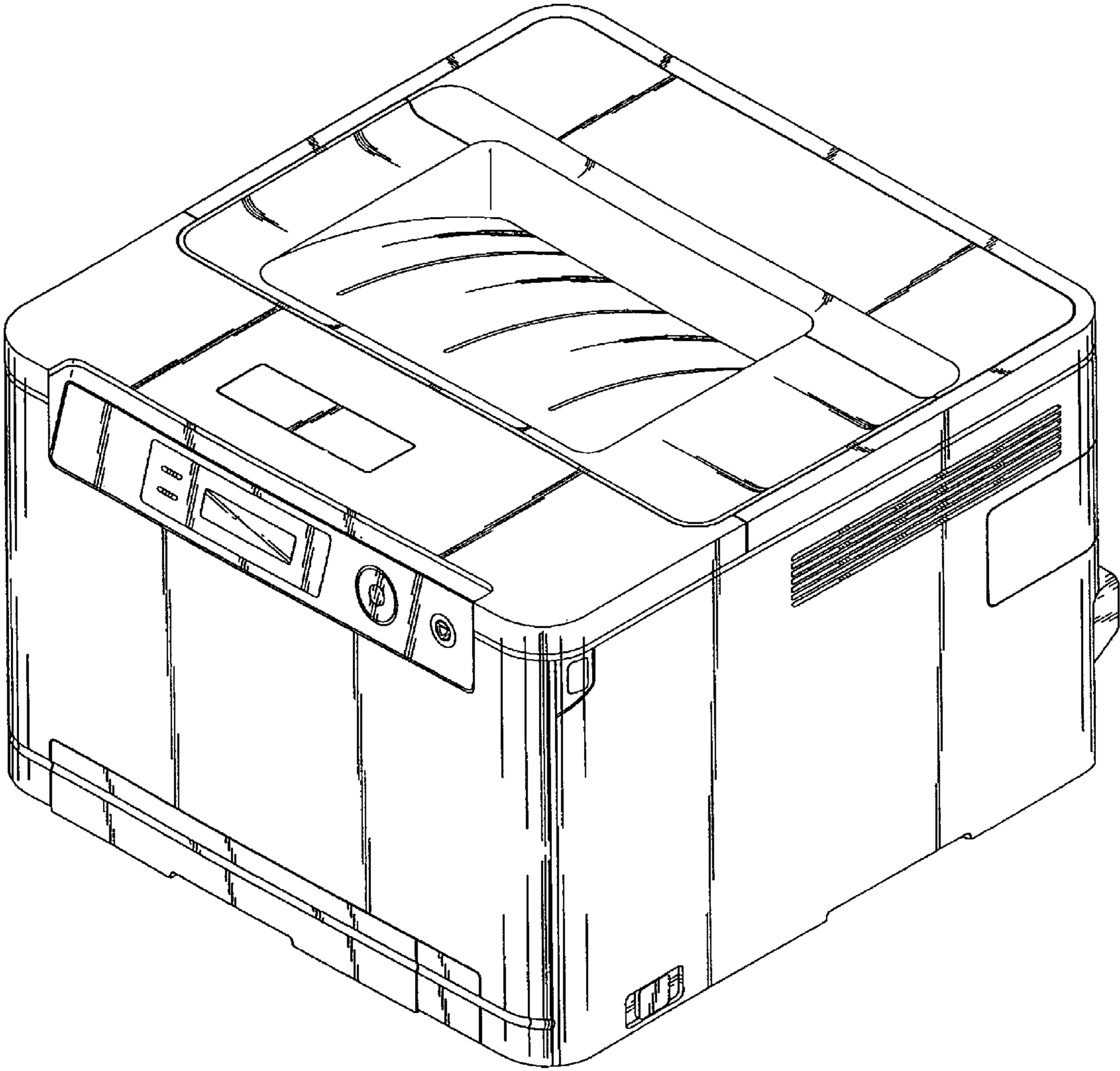


FIG. 1

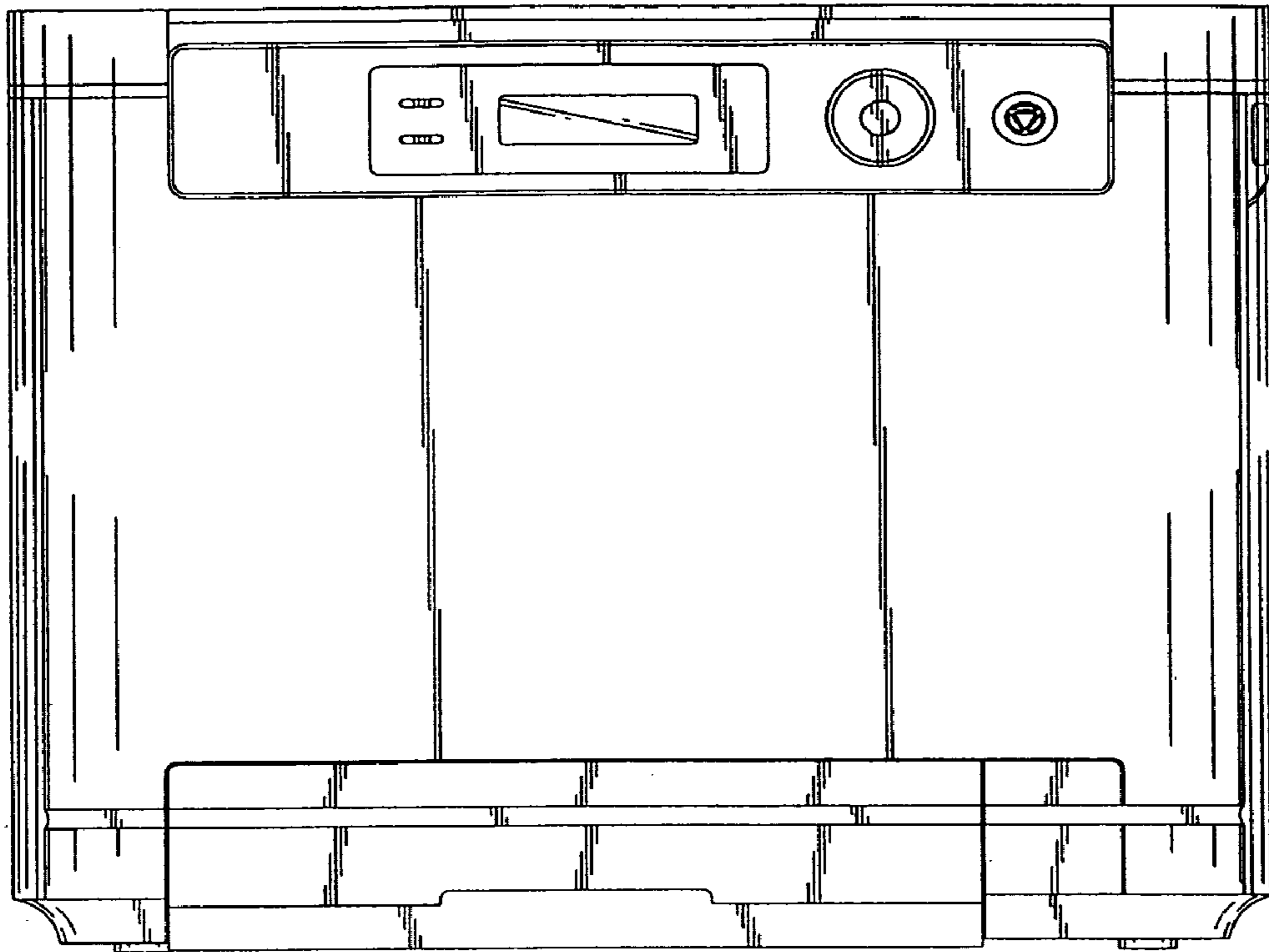


FIG. 2

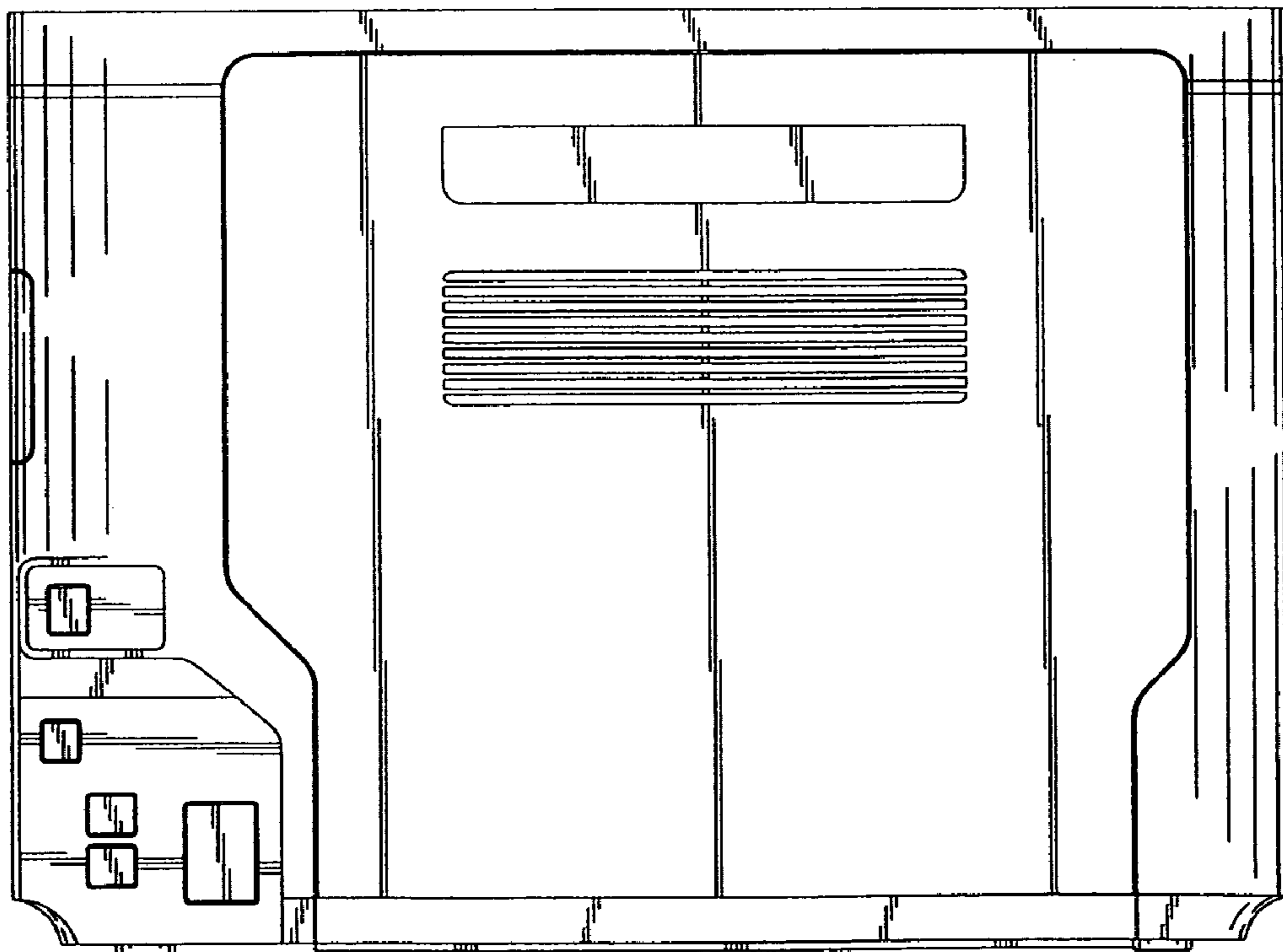


FIG. 3

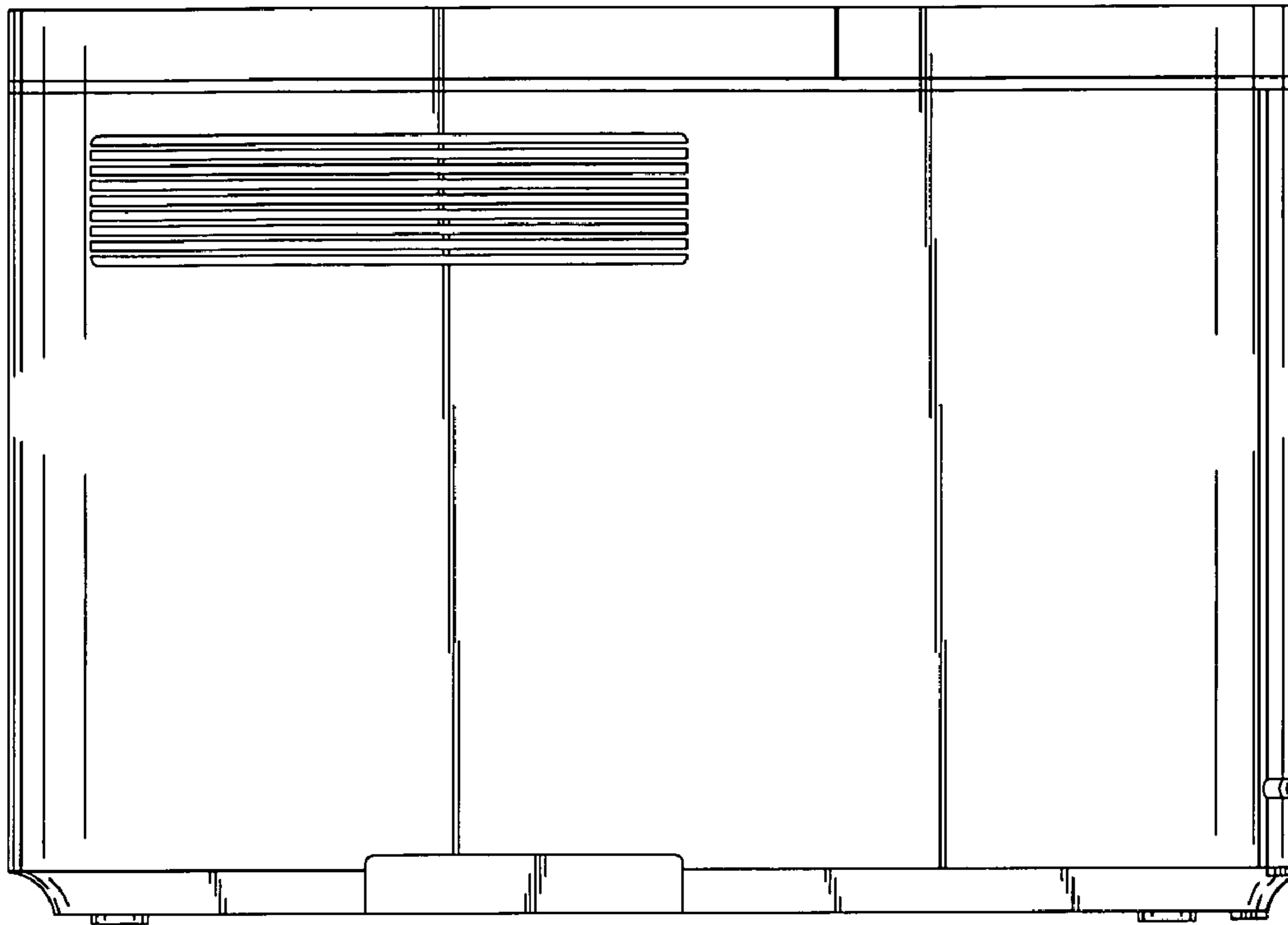


FIG. 4

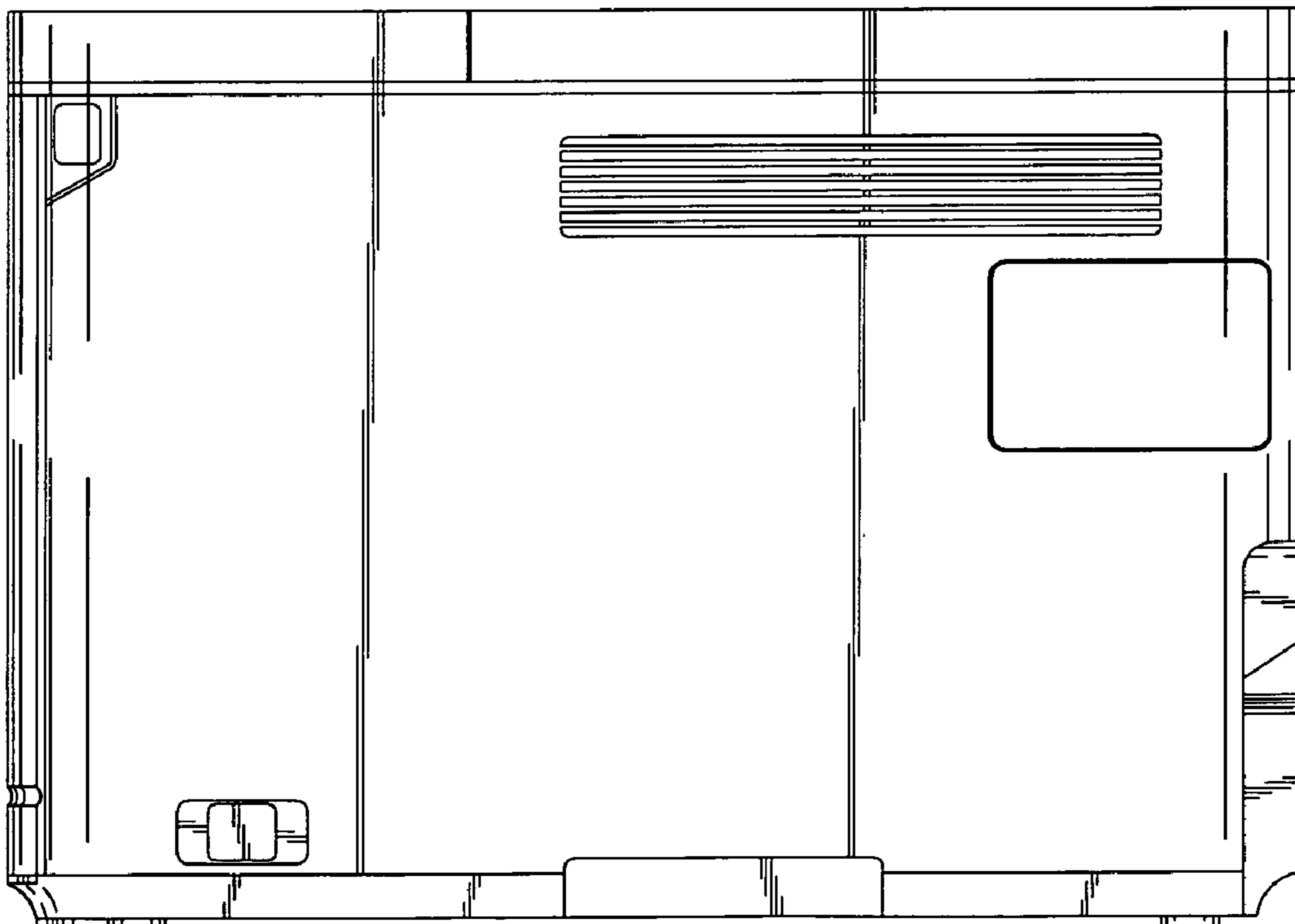


FIG. 5

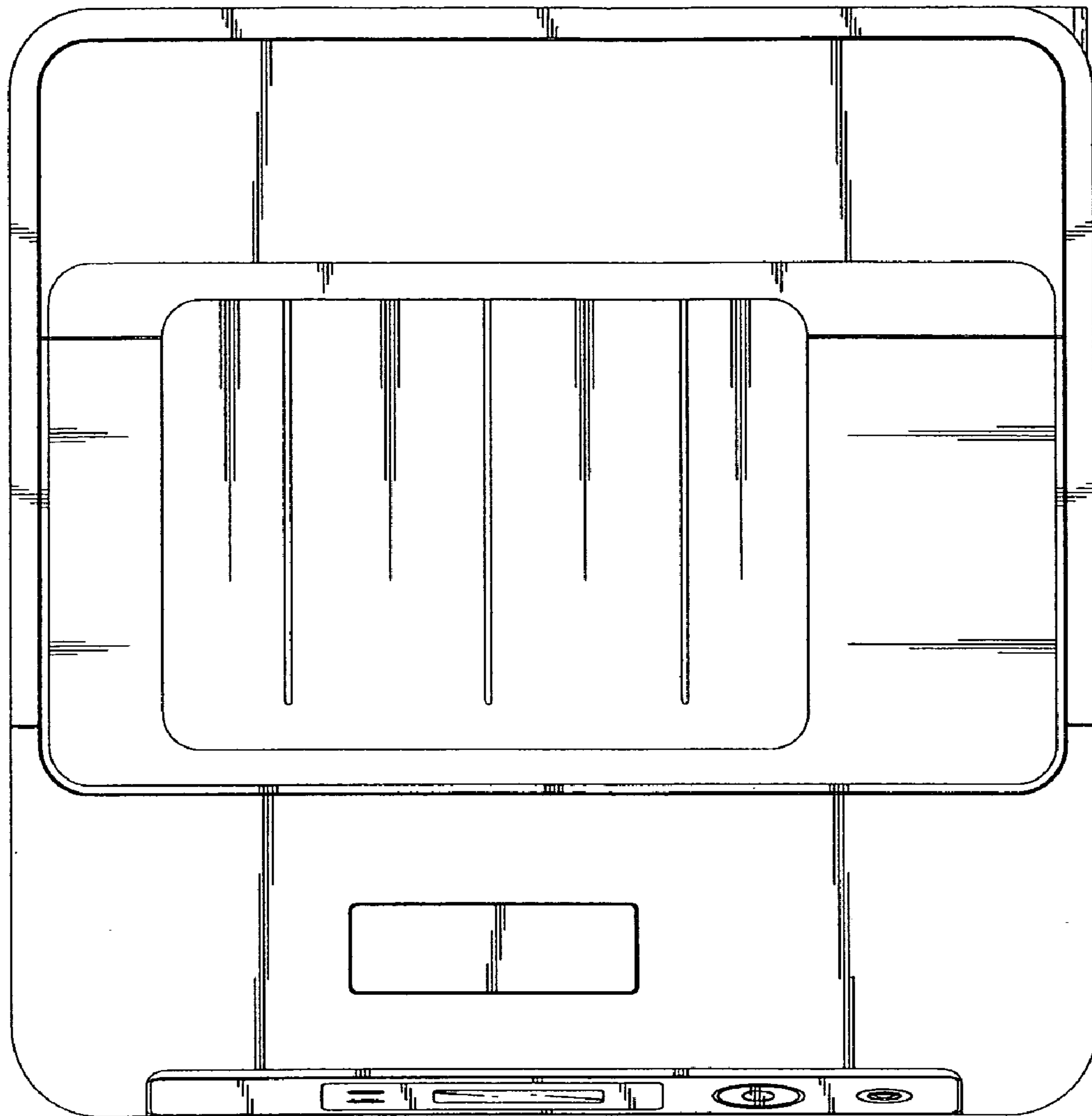


FIG. 6

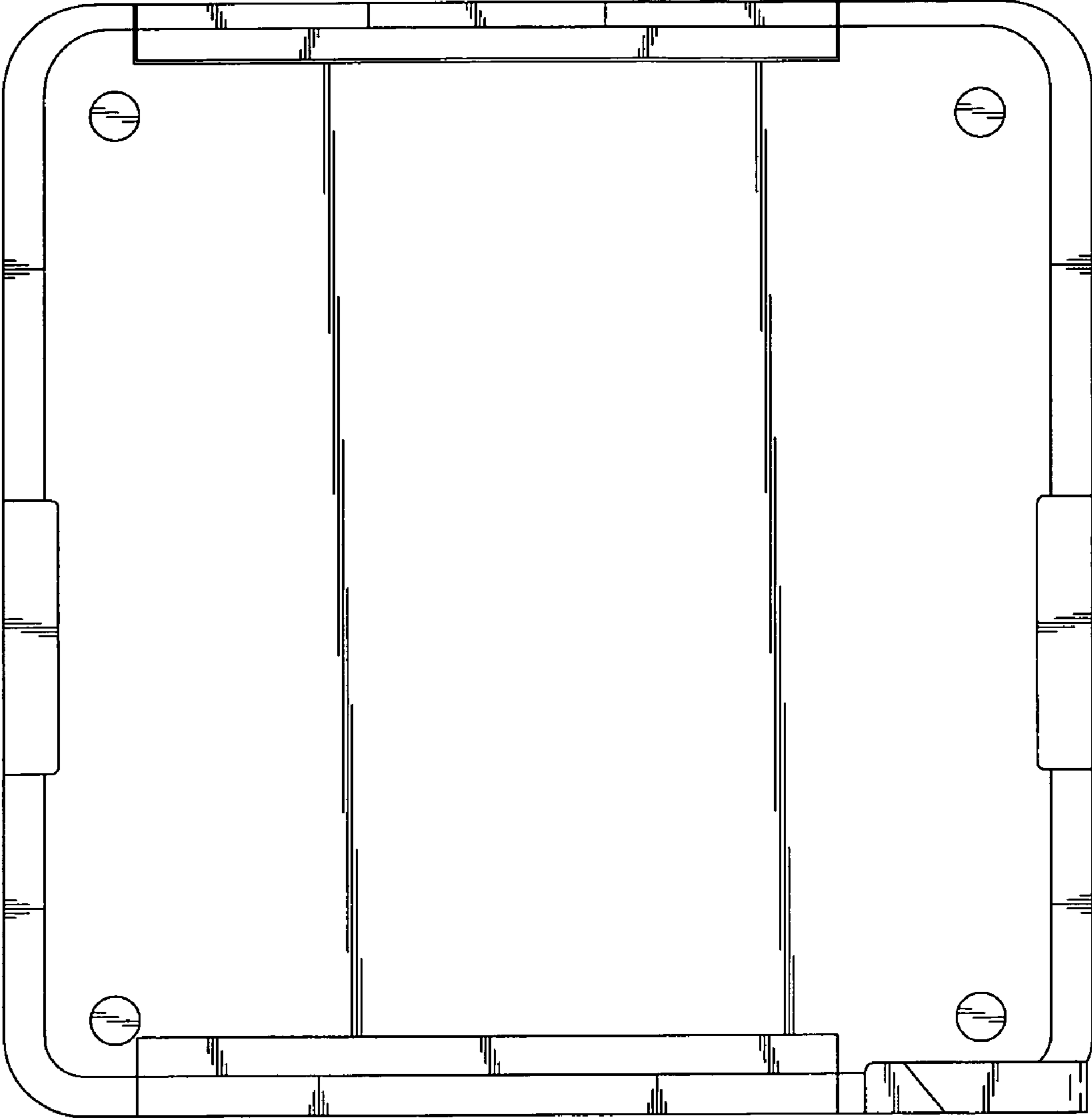


FIG. 7