



US00D647130S

(12) **United States Design Patent**
Kim et al.

(10) **Patent No.:** **US D647,130 S**
(45) **Date of Patent:** **** Oct. 18, 2011**

(54) **COLOR LASER COMPLEX**
(75) Inventors: **Kyong-Hwan Kim**, Seoul (KR);
Jun-Won Bae, Seoul (KR); **Son-Young Lee**, Seoul (KR); **Chung-Ha Kim**, Seoul (KR)

(73) Assignee: **Samsung Electronics Co., Ltd.**, Suwon, Kyunggi-do (KR)

(**) Term: **14 Years**

(21) Appl. No.: **29/348,338**

(22) Filed: **Dec. 22, 2009**

(51) **LOC (9) Cl.** **14-02**

(52) **U.S. Cl.** **D18/50**

(58) **Field of Classification Search** D18/14,
D18/19, 36-37, 50, 54, 54.1, 55; D14/420-425,
D14/463-470; 400/613, 613.1-613.4, 690.1-690.4,
400/691-694

See application file for complete search history.

(56) **References Cited**

U.S. PATENT DOCUMENTS

D326,867 S	6/1992	Kwak	
D359,506 S	6/1995	Lee	
D378,218 S	2/1997	Hong et al.	
D527,045 S	8/2006	Lim et al.	
D530,737 S	10/2006	Lim et al.	
D532,043 S	11/2006	Park et al.	
D536,372 S	2/2007	Lim et al.	
D536,373 S *	2/2007	Inoue et al. D18/55
D551,700 S	9/2007	Park et al.	
D552,170 S	10/2007	Kim et al.	
D555,195 S	11/2007	Park et al.	
D555,722 S	11/2007	Bae et al.	
D556,253 S	11/2007	Hong et al.	
D556,822 S	12/2007	Hong et al.	
D558,261 S	12/2007	Hong et al.	
D558,262 S	12/2007	Hong et al.	
D558,820 S	1/2008	Hong et al.	

D561,248 S	2/2008	Lee et al.
D561,824 S	2/2008	Park et al.
D562,378 S	2/2008	Kim et al.
D573,178 S	7/2008	Lee et al.
D573,179 S	7/2008	Bae et al.
D580,483 S	11/2008	Park et al.
D581,976 S	12/2008	Park et al.
D584,344 S	1/2009	Lee et al.
D584,347 S	1/2009	Hong et al.
D584,348 S	1/2009	Boo et al.
D586,385 S	2/2009	Kim et al.
D593,149 S	5/2009	Park et al.
D601,185 S	9/2009	Kim et al.
D601,186 S	9/2009	Kim et al.
D607,502 S	1/2010	Lee et al.

(Continued)

OTHER PUBLICATIONS

U.S. U.S. Appl. No. 29/314,206, Applicant: Ji-Sang Park, et al., filed Mar. 13, 2009 entitled Laser Printer.

(Continued)

Primary Examiner — Cathy A MacCormac

(74) *Attorney, Agent, or Firm* — Flynn, Thiel, Boutell & Tanis, P.C.

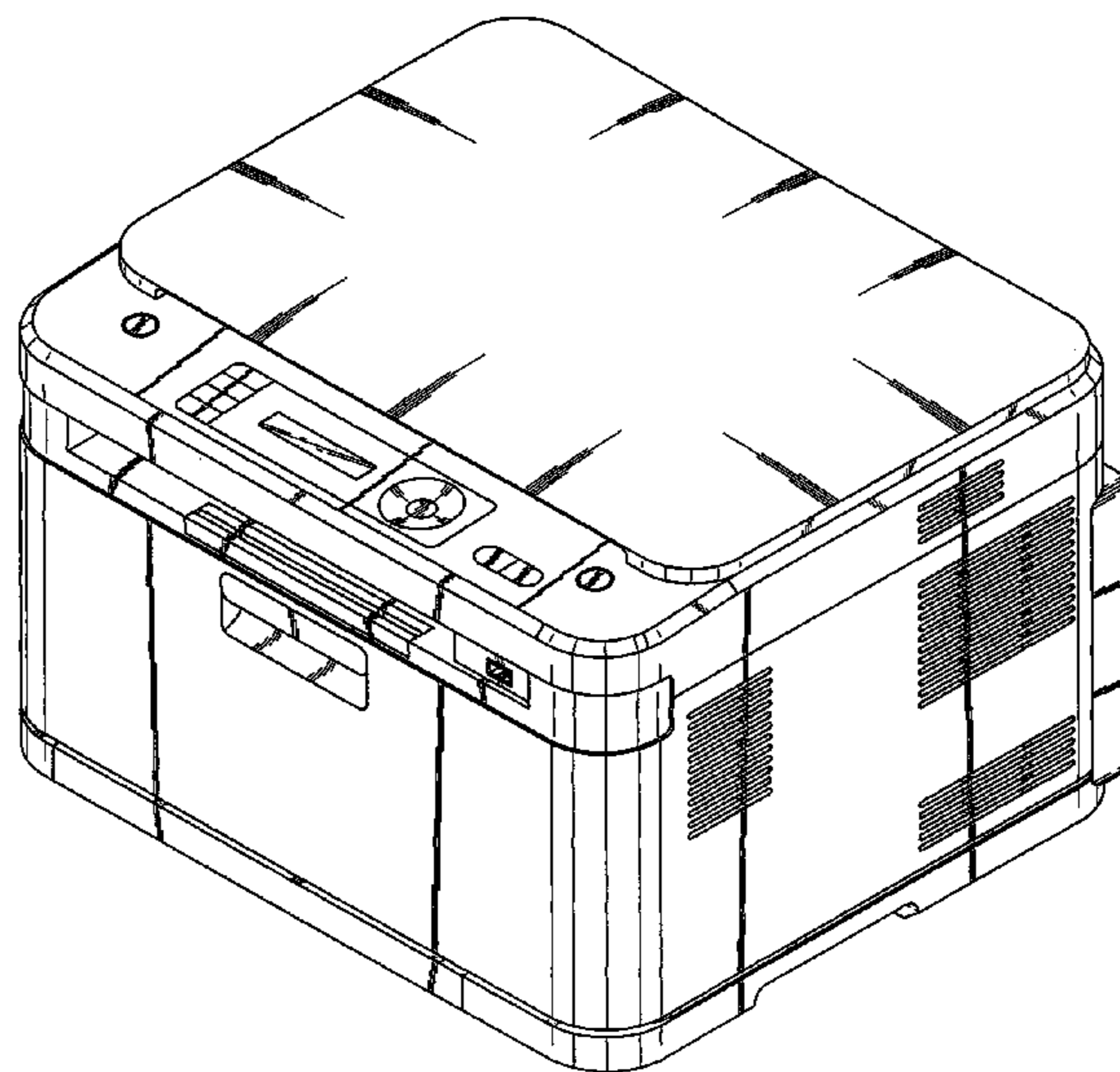
(57) **CLAIM**

The ornamental design for a color laser complex, as shown and described.

DESCRIPTION

FIG. 1 is a top front perspective view of a color laser complex showing our new design;
FIG. 2 is a front elevational view thereof;
FIG. 3 is a rear elevational view thereof;
FIG. 4 is a left side elevational view thereof;
FIG. 5 is a right side elevational view thereof;
FIG. 6 is a top plan view thereof; and,
FIG. 7 is a bottom plan view thereof.

1 Claim, 7 Drawing Sheets



U.S. PATENT DOCUMENTS

D607,506 S 1/2010 Kim et al.
D607,925 S 1/2010 Morrison et al.
D607,927 S 1/2010 Kim et al.
D607,928 S 1/2010 Kim et al.
D614,234 S * 4/2010 Ishikawa et al. D18/55
D621,441 S 8/2010 Kim
D622,761 S 8/2010 Kim et al.
D624,956 S * 10/2010 Park et al. D18/39
D624,957 S * 10/2010 Park et al. D18/39
D626,588 S 11/2010 Kim et al.
D632,732 S 2/2011 Park et al.
D633,139 S 2/2011 Park et al.
D633,556 S 3/2011 Park et al.

OTHER PUBLICATIONS

U.S. U.S. Appl. No. 29/314,647, Applicant: Ji-Sang Park, et al., filed
Apr. 15, 2009 entitled Laser Complex.

U.S. U.S. Appl. No. 29/315,577, Applicant: Hoon-Tae Kim, et al.,
filed Jul. 7, 2009 entitled Printer.
U.S. U.S. Appl. No. 29/316,761, Applicant: Ji-Sang Park, et al., filed
Oct. 29, 2009 entitled Printer.
U.S. U.S. Appl. No. 29/316,762, Applicant: Ji-Sang Park, et al., filed
Oct. 29, 2009 entitled Printer.
U.S. Appl. No. 29/316,763, Applicant: Ji-Sang Park, et al., filed Oct.
29, 2009, entitled Printer.
U.S. Appl. No. 29/348,339, Applicant: Kyong-Hwan Kim, et al., filed
Dec. 22, 2009, entitled Color Laser Printer
U.S. Appl. No. 29/348,337, Applicant: Chung-Ha Kim, et al., filed
Dec. 22, 2009, entitled Laser Printer.
U.S. Appl. No. 29/316,974, Applicant: Son-Young Lee, et al., filed
Nov. 13, 2009 entitled Color Laser Complex.
U.S. Appl. No. 29/316 975, Applicant: Chung-Ha Kim, et al., filed
Nov. 13, 2009 entitled Color Laser Complex.
U.S. Appl. No. 29/316,976, Applicant: Kyong-Hwan Kim, et al., filed
Nov. 13, 2009 entitled Color Laser Printer.

* cited by examiner

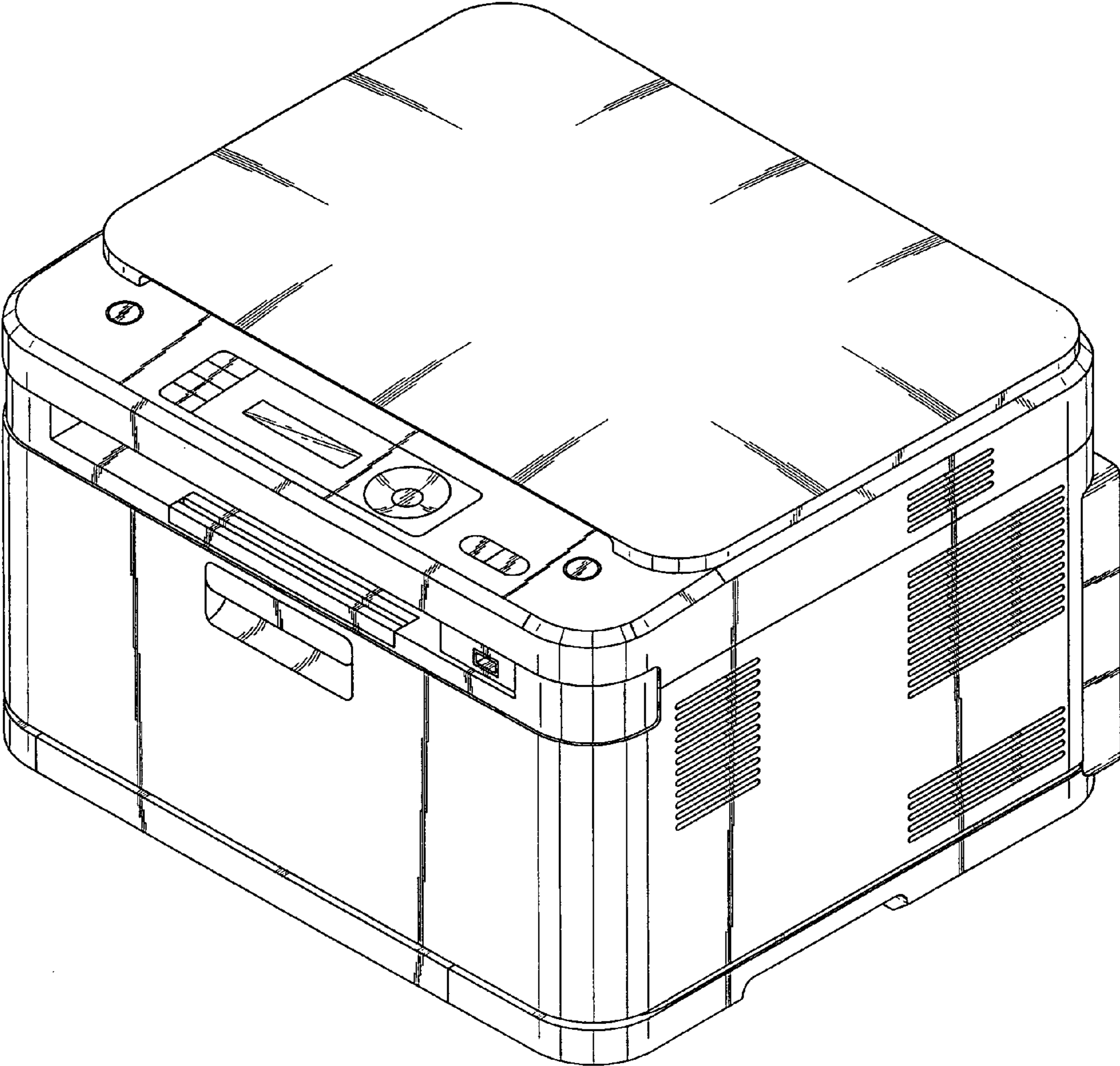


FIG. 1

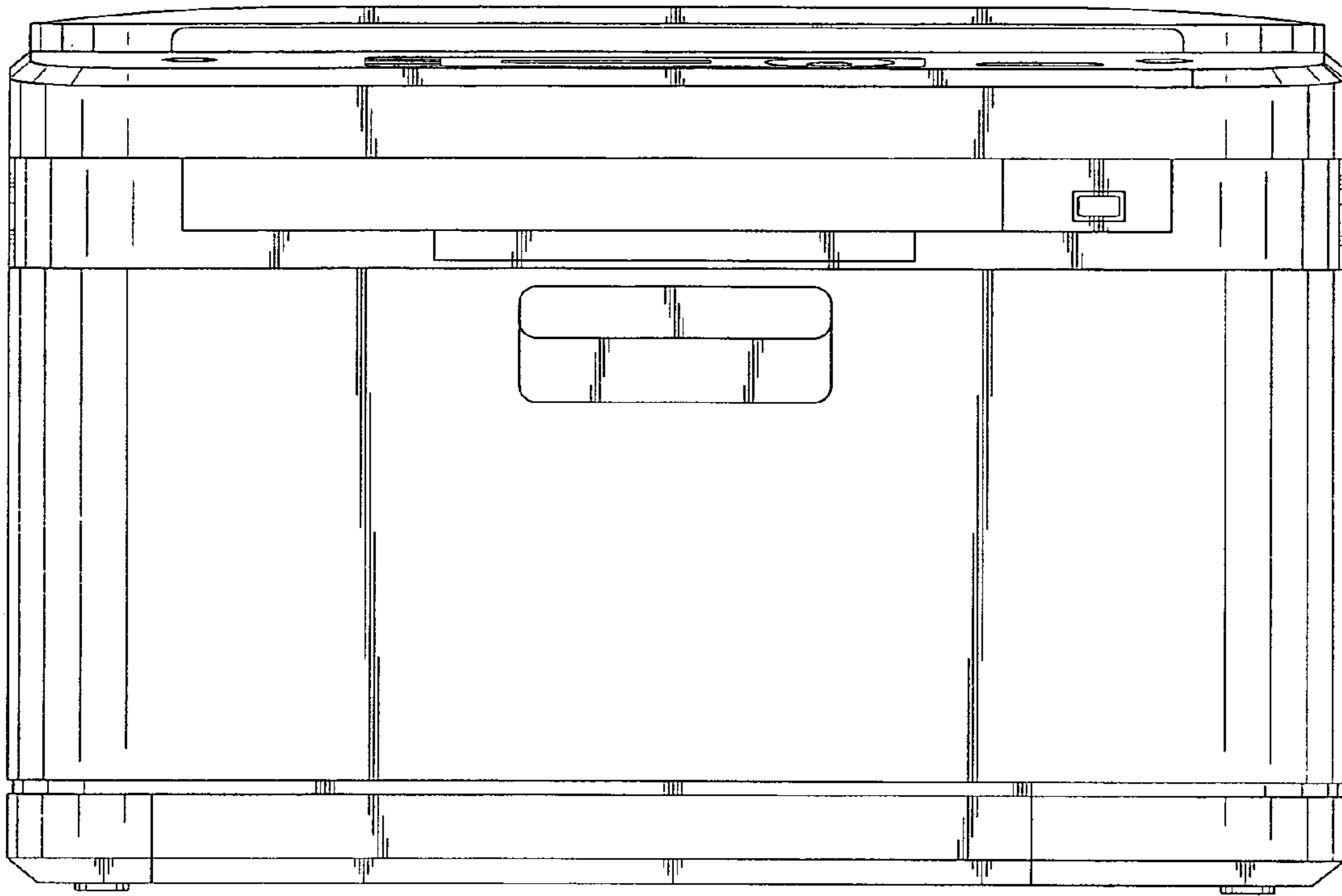


FIG. 2

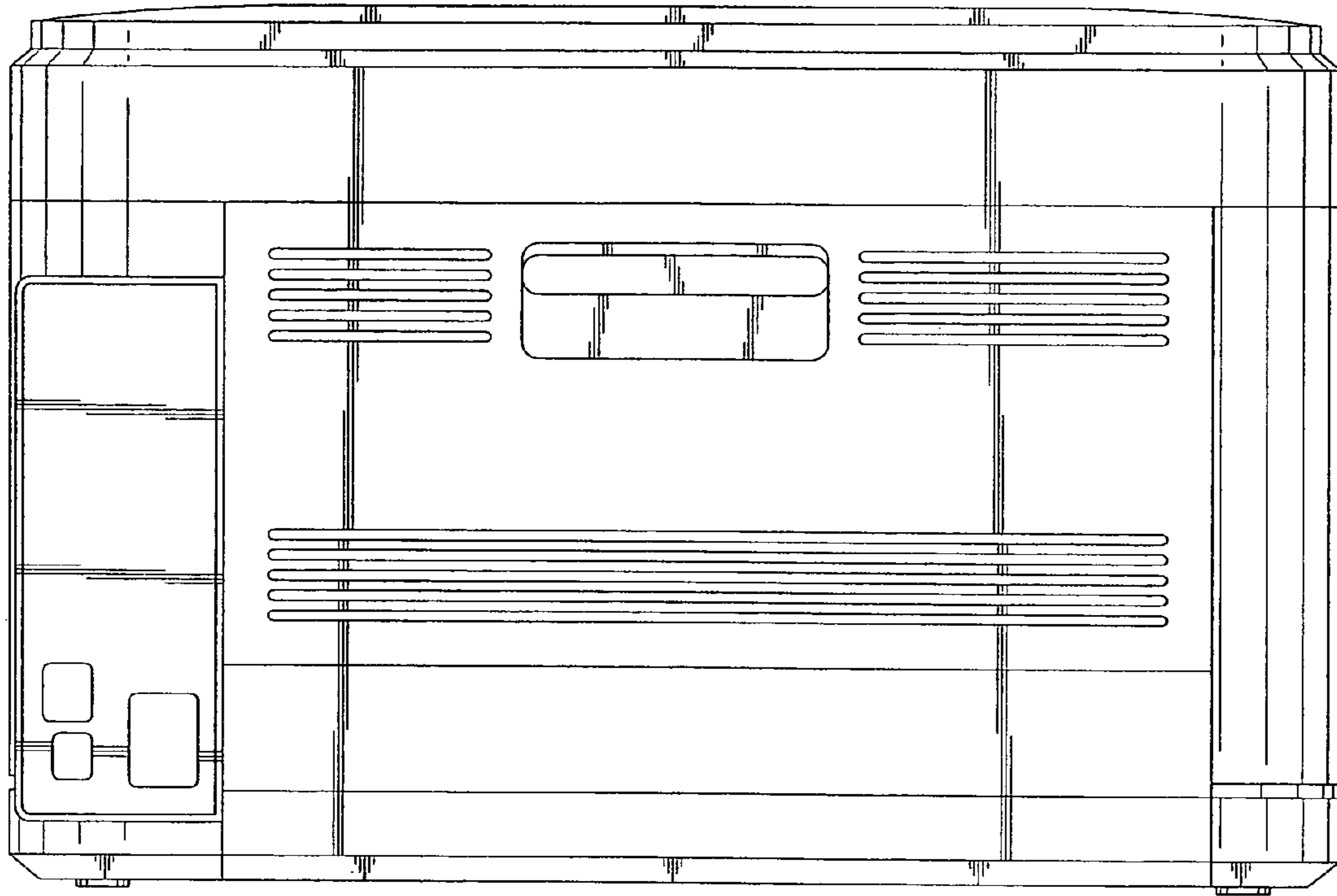


FIG. 3

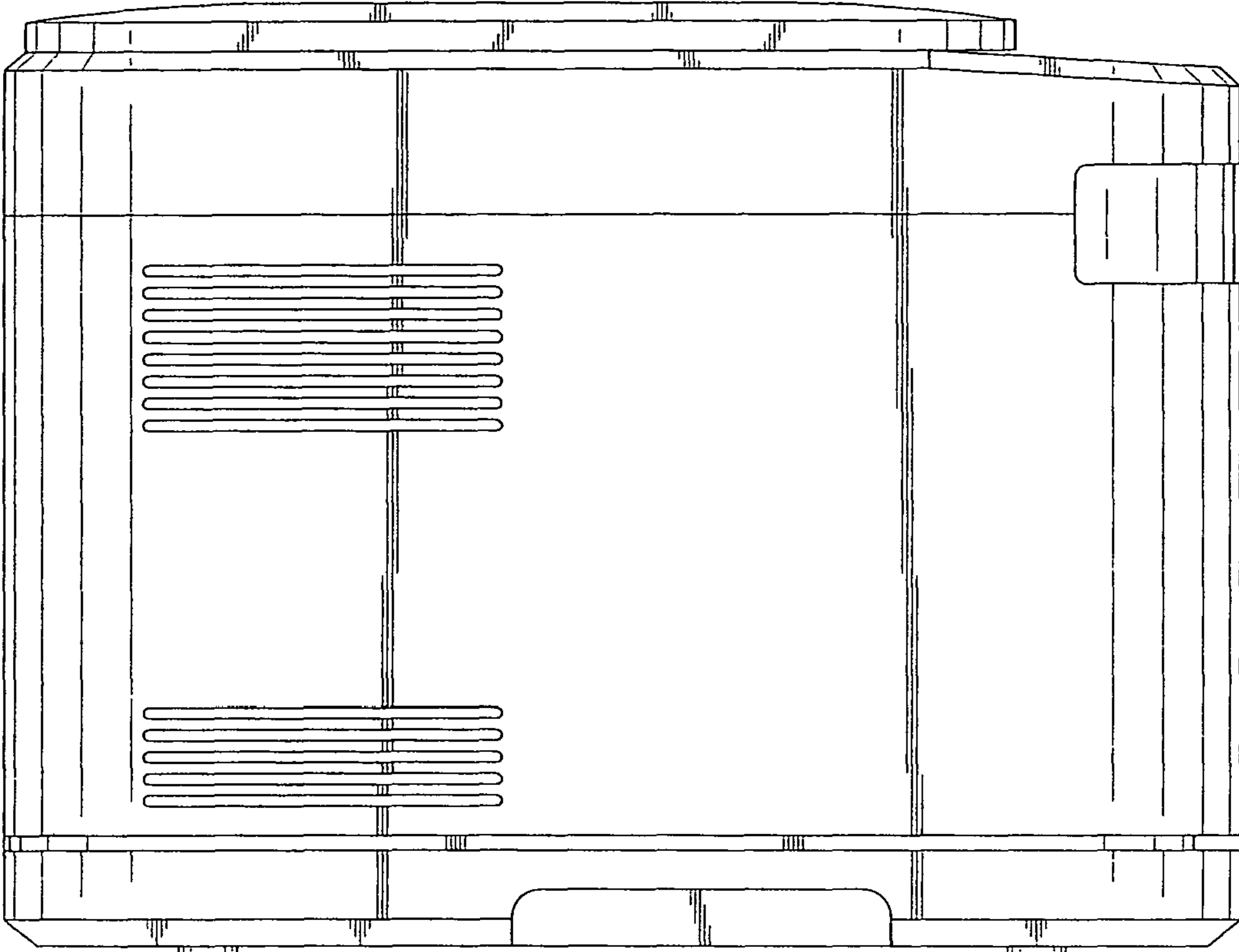


FIG. 4

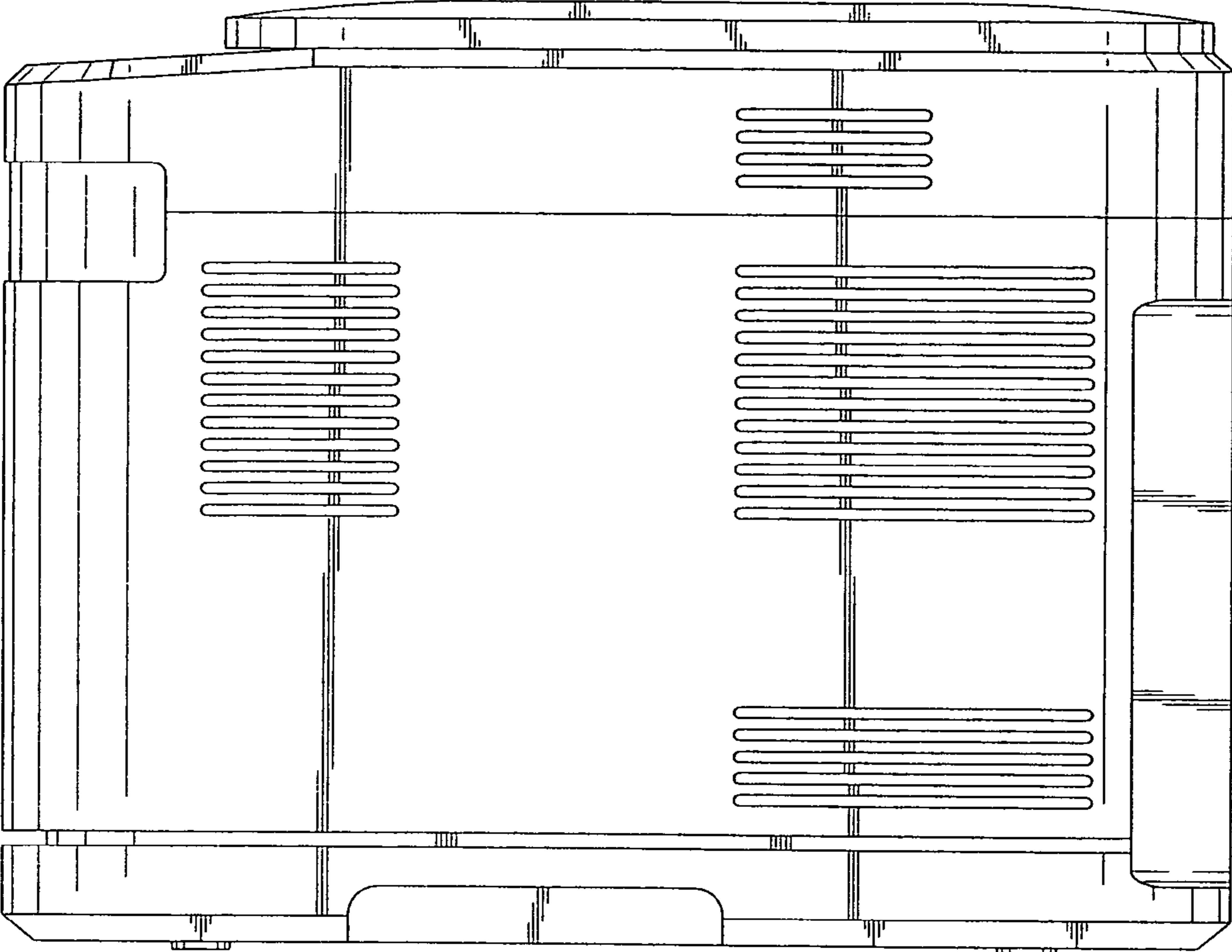


FIG. 5

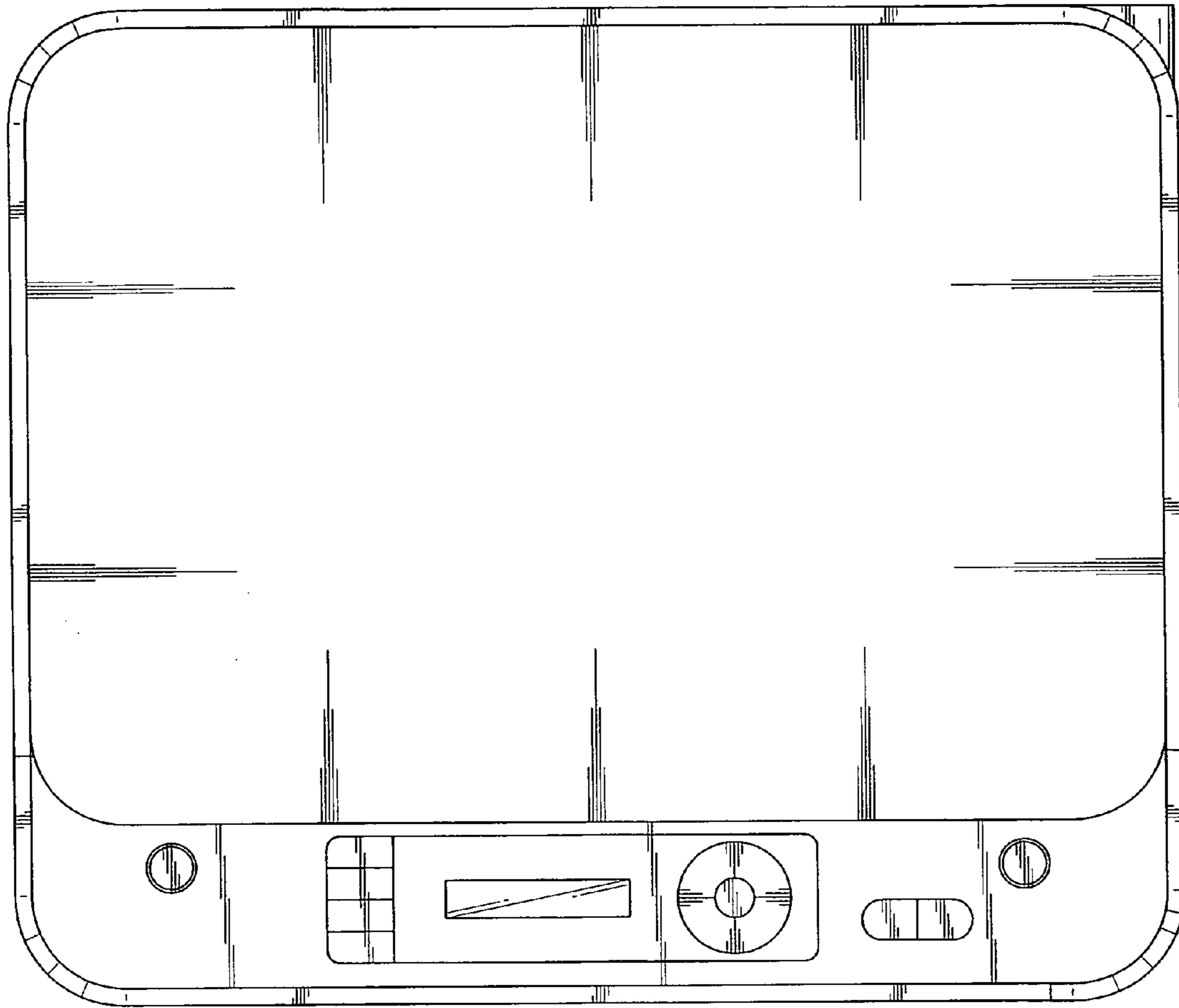


FIG. 6

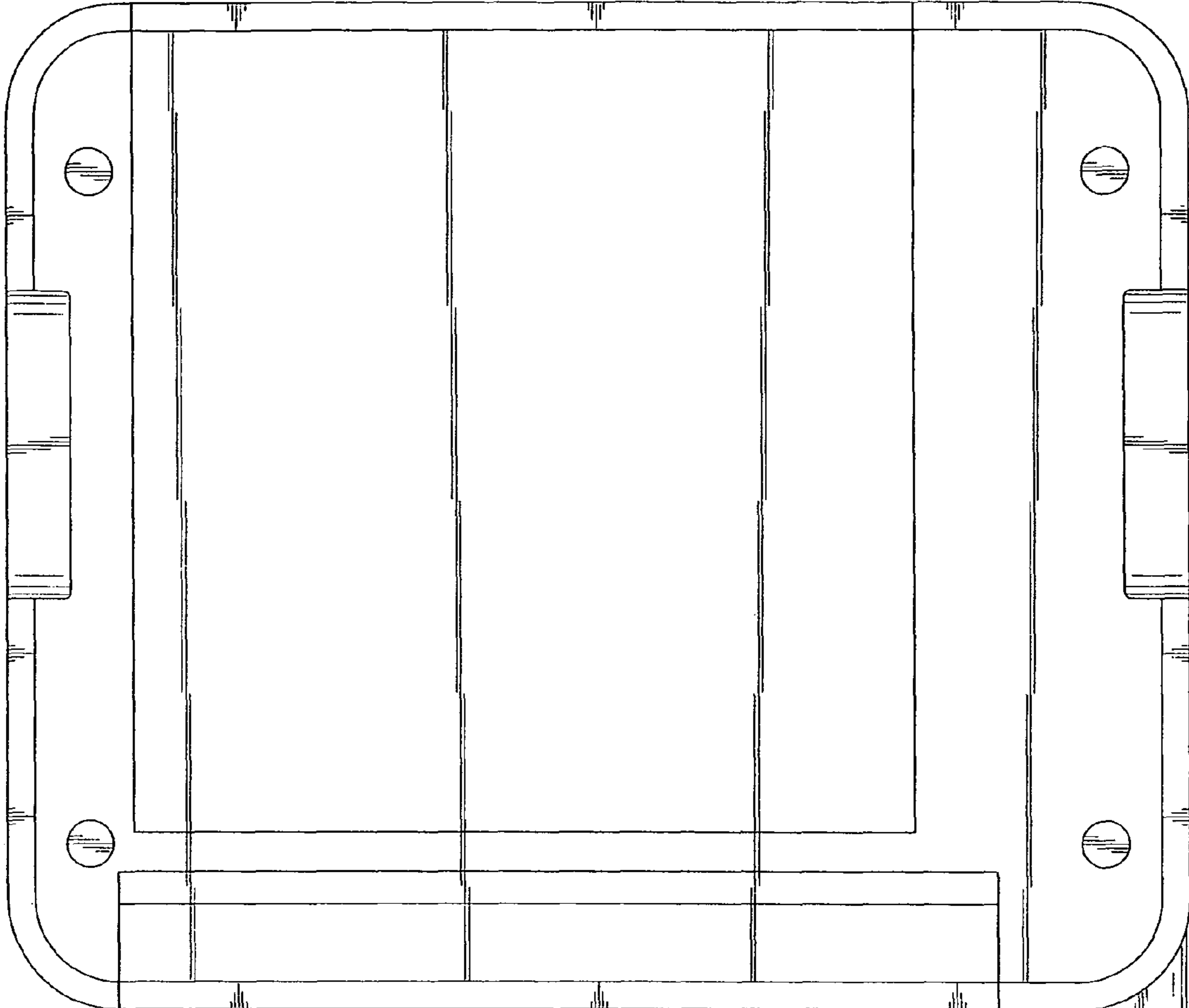


FIG. 7