



US00D647129S

(12) **United States Design Patent**
Kim et al.

(10) **Patent No.:** **US D647,129 S**
(45) **Date of Patent:** **** Oct. 18, 2011**

(54) **SHREDDER**

(75) Inventors: **Hyunchul Kim**, Chicago, IL (US); **Tong Jin Kim**, Evanston, IL (US); **Patrick M. Bodkin**, Chicago, IL (US)

(73) Assignee: **Fellowes, Inc.**, Itasca, IL (US)

(**) Term: **14 Years**

(21) Appl. No.: **29/360,516**

(22) Filed: **Apr. 27, 2010**

(51) **LOC (9) Cl.** **18-04**

(52) **U.S. Cl.** **D18/34.9; D18/34.5**

(58) **Field of Classification Search** D18/34.1–34.9,
D18/50, 54, 55; 241/100, 236, 37.5, 101.78,
241/36; 270/58.16, 58.17; 83/613, 614,
83/623, 485, 57–68; D15/146; 30/275.4,
30/276; D23/356, 359, 366

See application file for complete search history.

(56) **References Cited**

U.S. PATENT DOCUMENTS

4,637,560	A *	1/1987	Goldhammer	241/100
D320,228	S *	9/1991	Isomoto et al.	D18/34.1
D444,809	S *	7/2001	Chang	D18/34.4
D449,850	S *	10/2001	Ho	D18/34.6
D502,961	S *	3/2005	Lo	D18/34.6
6,962,301	B1 *	11/2005	Chang	241/100
6,964,386	B2 *	11/2005	Ho	241/236
7,014,133	B2 *	3/2006	Ho	241/36
D534,945	S *	1/2007	Bai	D18/34.4
D537,599	S *	2/2007	Lin	D34/7
D545,890	S *	7/2007	Abramson et al.	D18/34.9
D548,273	S *	8/2007	Joachim et al.	D18/34.5
D555,716	S *	11/2007	Chen	D18/34.6
D557,732	S *	12/2007	Ho	D18/34.6
D557,735	S *	12/2007	Ho	D18/34.6
D558,257	S *	12/2007	Joachim et al.	D18/34.6
RE40,042	E *	2/2008	Chang	241/36
D583,859	S	12/2008	Holderfield et al.		
D584,342	S	1/2009	Parratt et al.		

D591,335 S 4/2009 Holderfield et al.
7,513,448 B2 * 4/2009 Ko 241/100
D598,048 S 8/2009 Holderfield et al.

(Continued)

Primary Examiner — Jeffrey D Asch

(74) *Attorney, Agent, or Firm* — Pillsbury Winthrop Shaw Pittman LLP

(57) **CLAIM**

The ornamental design for a shredder, as shown and described.

DESCRIPTION

FIG. 1 is a perspective view of a shredder showing a first embodiment of the new design;

FIG. 2 is a top plan view of the shredder of FIG. 1;

FIG. 3 is a front elevation view of the shredder of FIG. 1;

FIG. 4 is a right side elevation view of the shredder of FIG. 1;

FIG. 5 is a left side elevation view of the shredder of FIG. 1;

FIG. 6 is a rear elevation of the shredder of FIG. 1;

FIG. 7 is a bottom plan view of the shredder of FIG. 1;

FIG. 8 is a perspective view of a shredder showing a second embodiment of the new design;

FIG. 9 is a top plan view of the shredder of FIG. 8;

FIG. 10 is a front elevation view of the shredder of FIG. 8;

FIG. 11 is a right side elevation view of the shredder of FIG. 8;

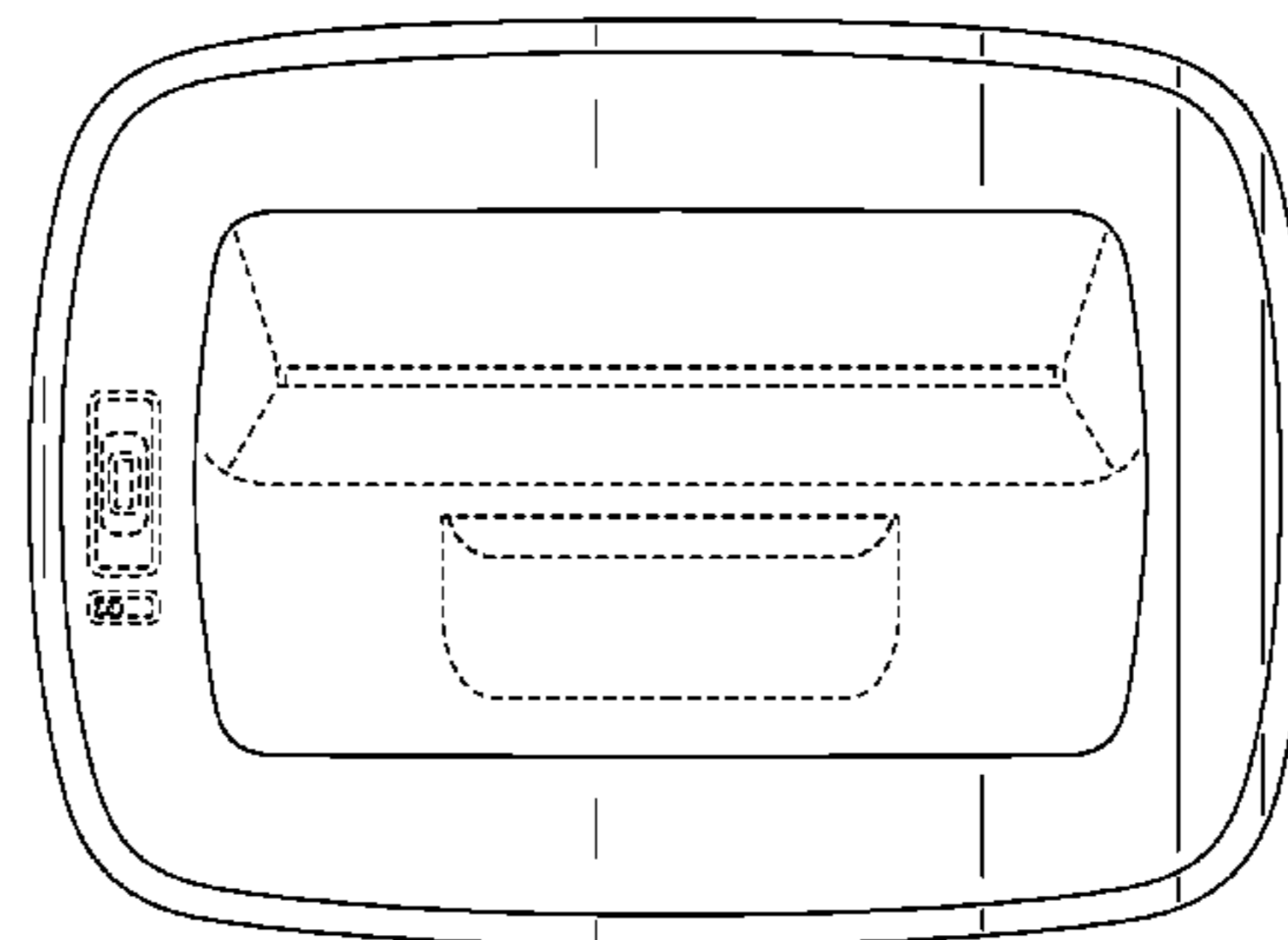
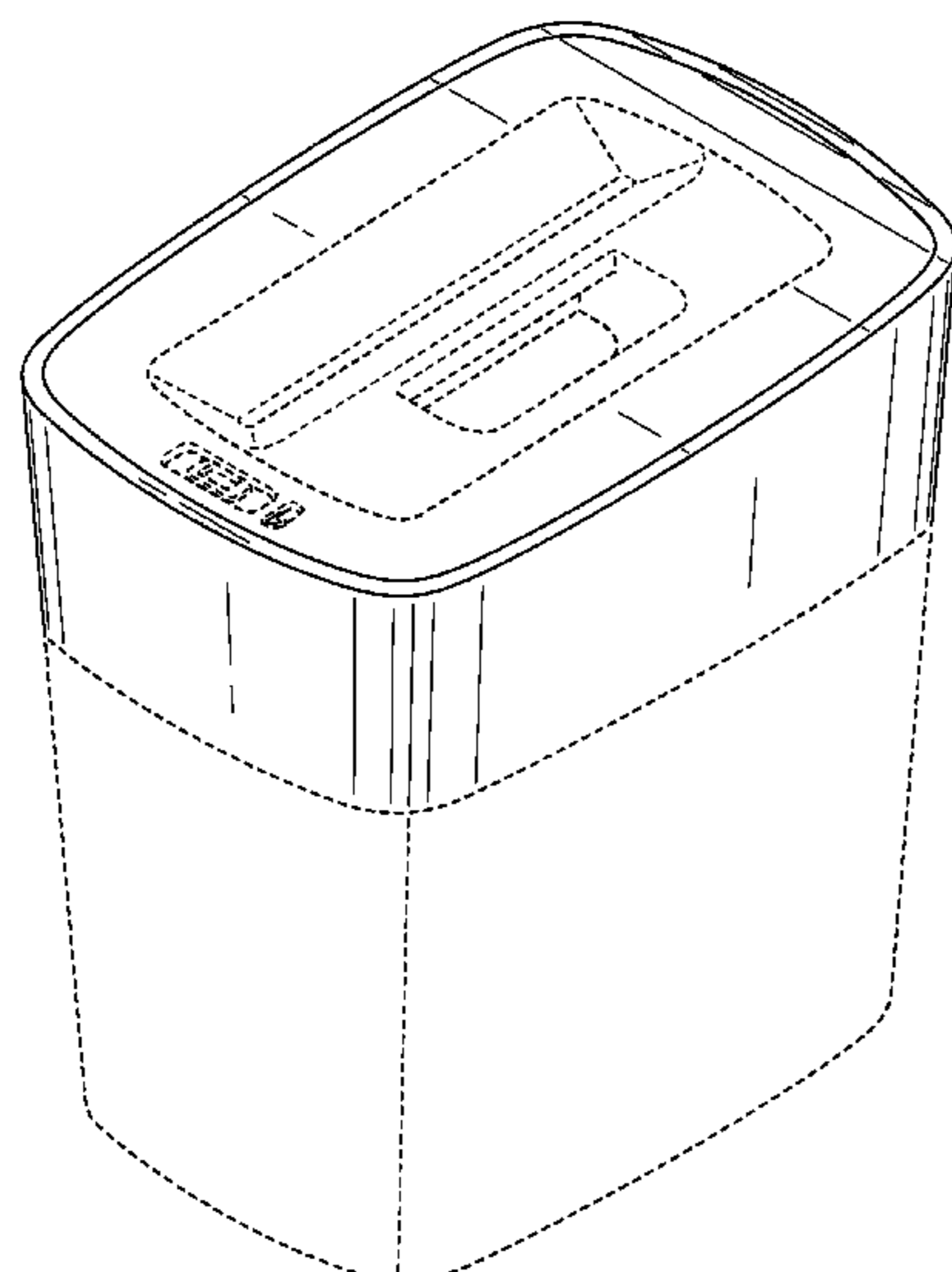
FIG. 12 is a left side elevation view of the shredder of FIG. 8;

FIG. 13 is a rear elevation of the shredder of FIG. 8; and,

FIG. 14 is a bottom plan view of the shredder of FIG. 8.

The broken lines shown in the figures that are immediately adjacent to the shaded areas and define unshaded regions, represent the bounds of the embodiment in which they are shown, while all other broken lines are directed to environment and are for illustrative purposes only; the broken lines form no part of the embodiment in which they are shown. The non-shaded area at the center top of the second embodiment, which contains broken lines, forms no part of the embodiment in which it is shown.

1 Claim, 14 Drawing Sheets



US D647,129 S

Page 2

U.S. PATENT DOCUMENTS					
D602,073 S	10/2009	Holderfield et al.	D609,102 S	2/2010	Matlin
D602,074 S	10/2009	Holderfield et al.	D611,089 S	3/2010	Maitlin et al.
D602,517 S	10/2009	Parratt et al.	D618,275 S *	6/2010	Wing et al. D18/34.5
D602,518 S	10/2009	Holderfield et al.	7,762,486 B2 *	7/2010	Mussig et al. 241/100
D602,983 S *	10/2009	Kit et al. D18/34.5	7,823,815 B2 *	11/2010	Jensen 241/36
D604,762 S	11/2009	Parratt et al.	2007/0295842 A1 *	12/2007	Wang 241/100
D604,763 S	11/2009	Holderfield et al.	2008/0210794 A1 *	9/2008	Schwelling et al. 241/225
7,611,083 B2 *	11/2009	Zhang 241/37.5	2010/0001111 A1 *	1/2010	Matlin et al. 241/222

* cited by examiner

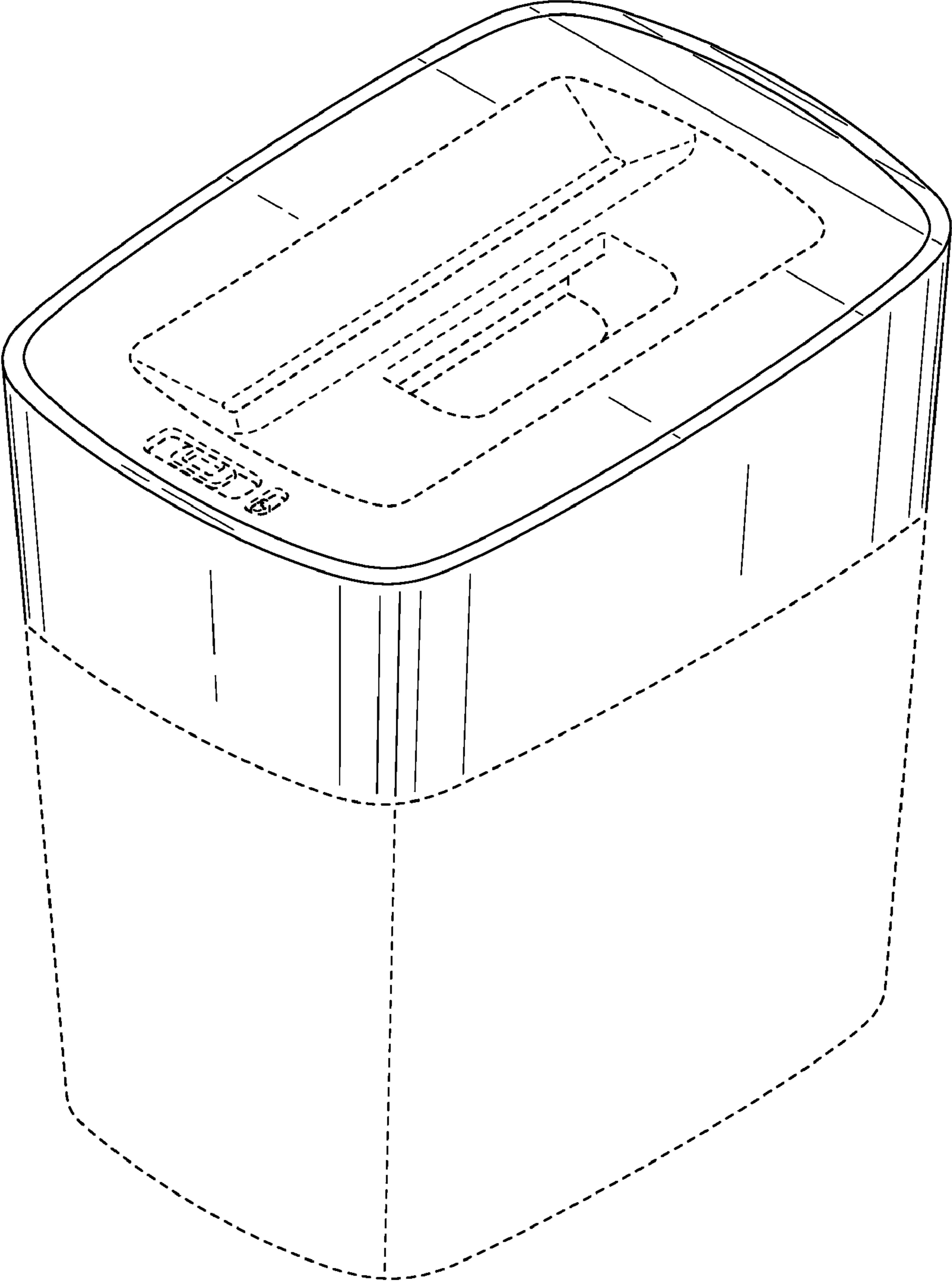


FIG. 1

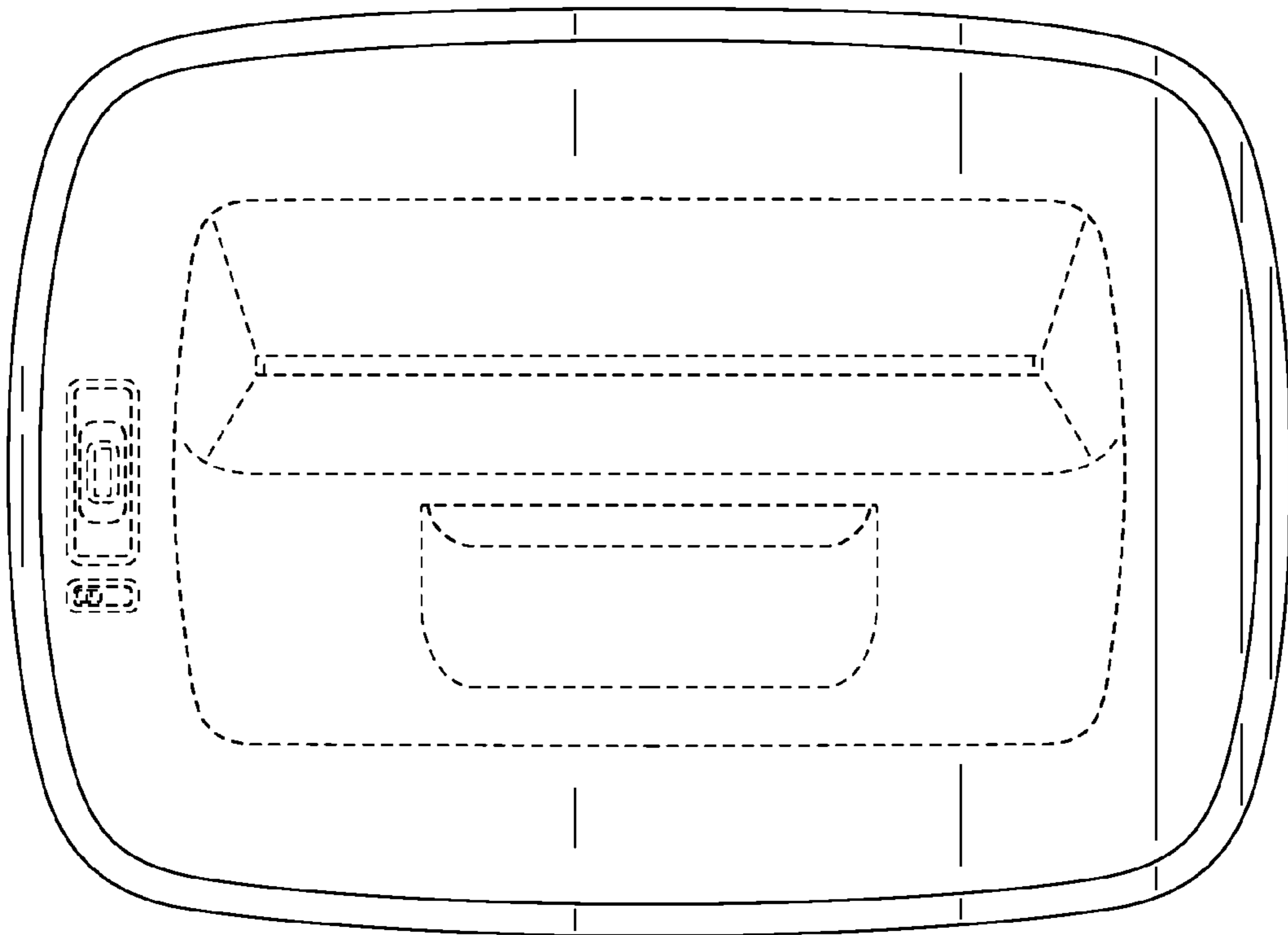


FIG. 2

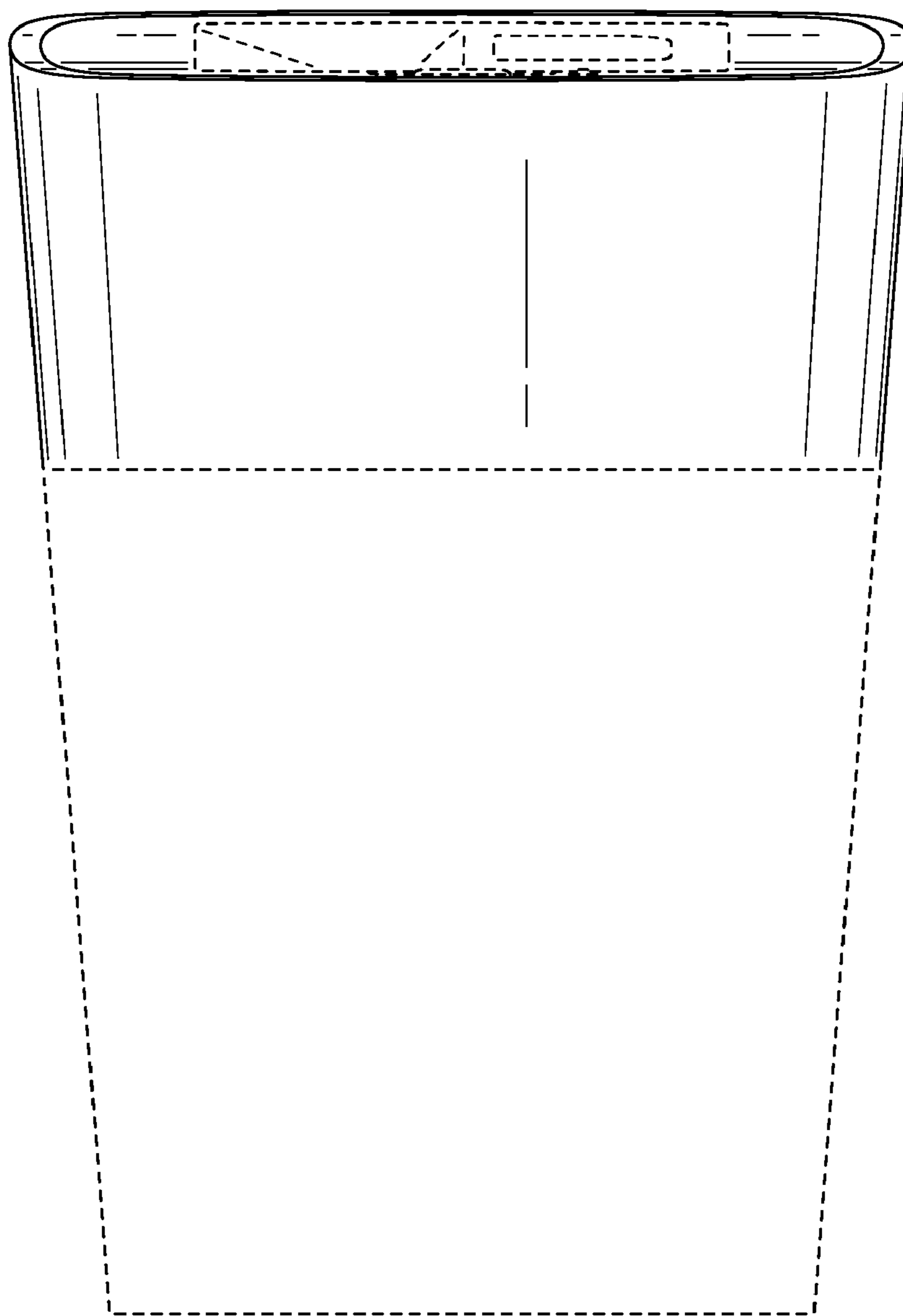


FIG. 3

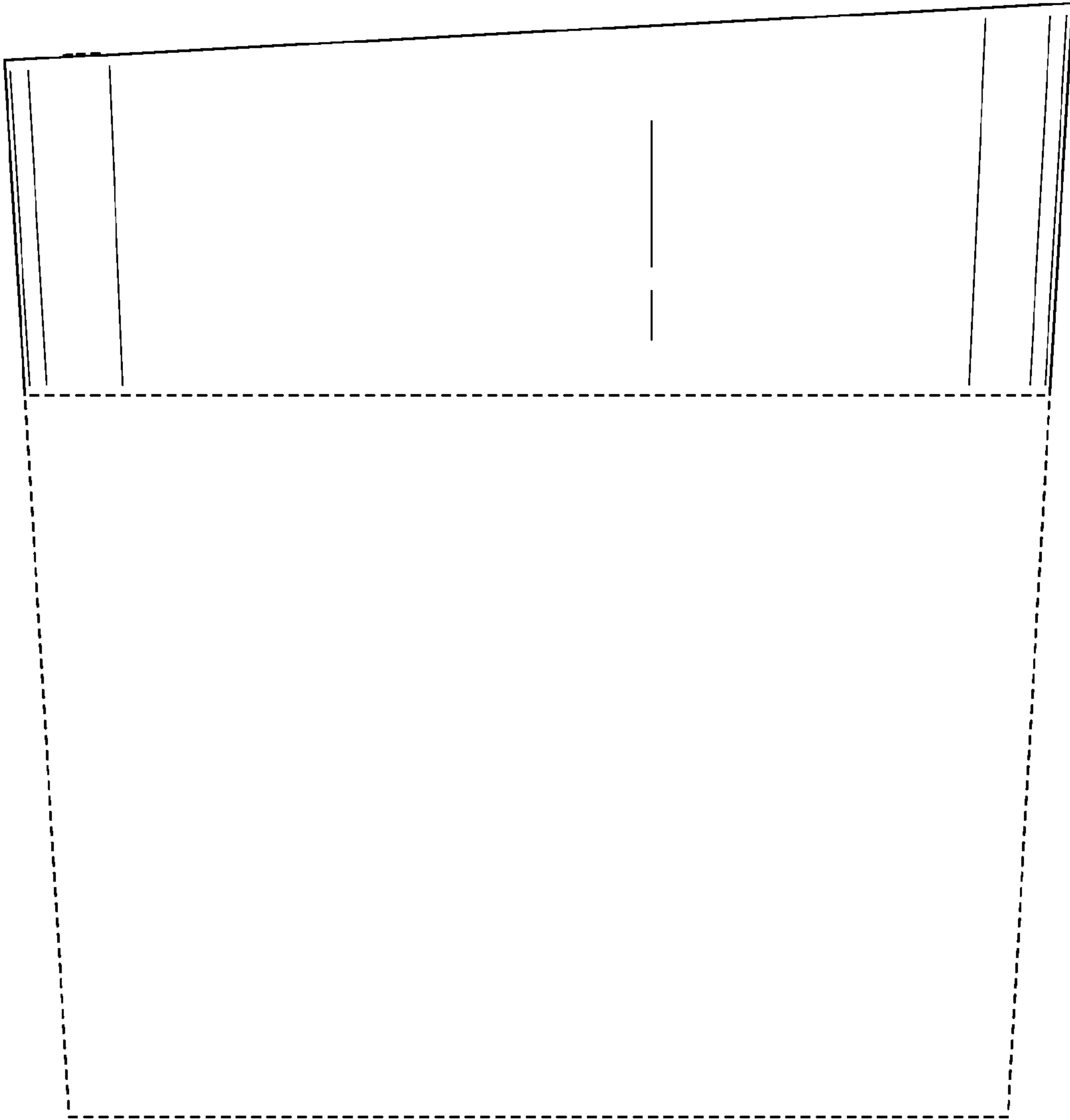


FIG. 4

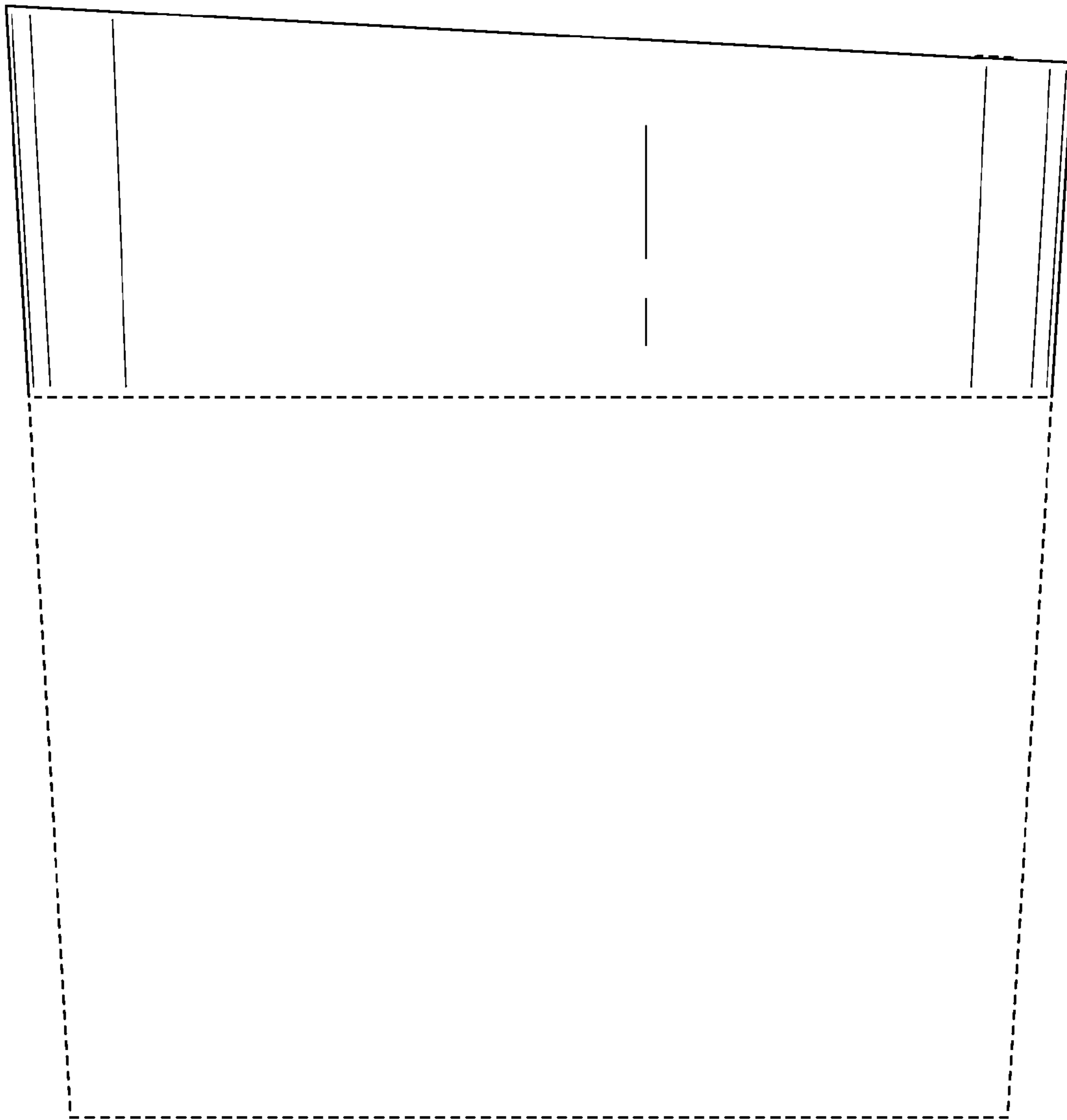


FIG. 5

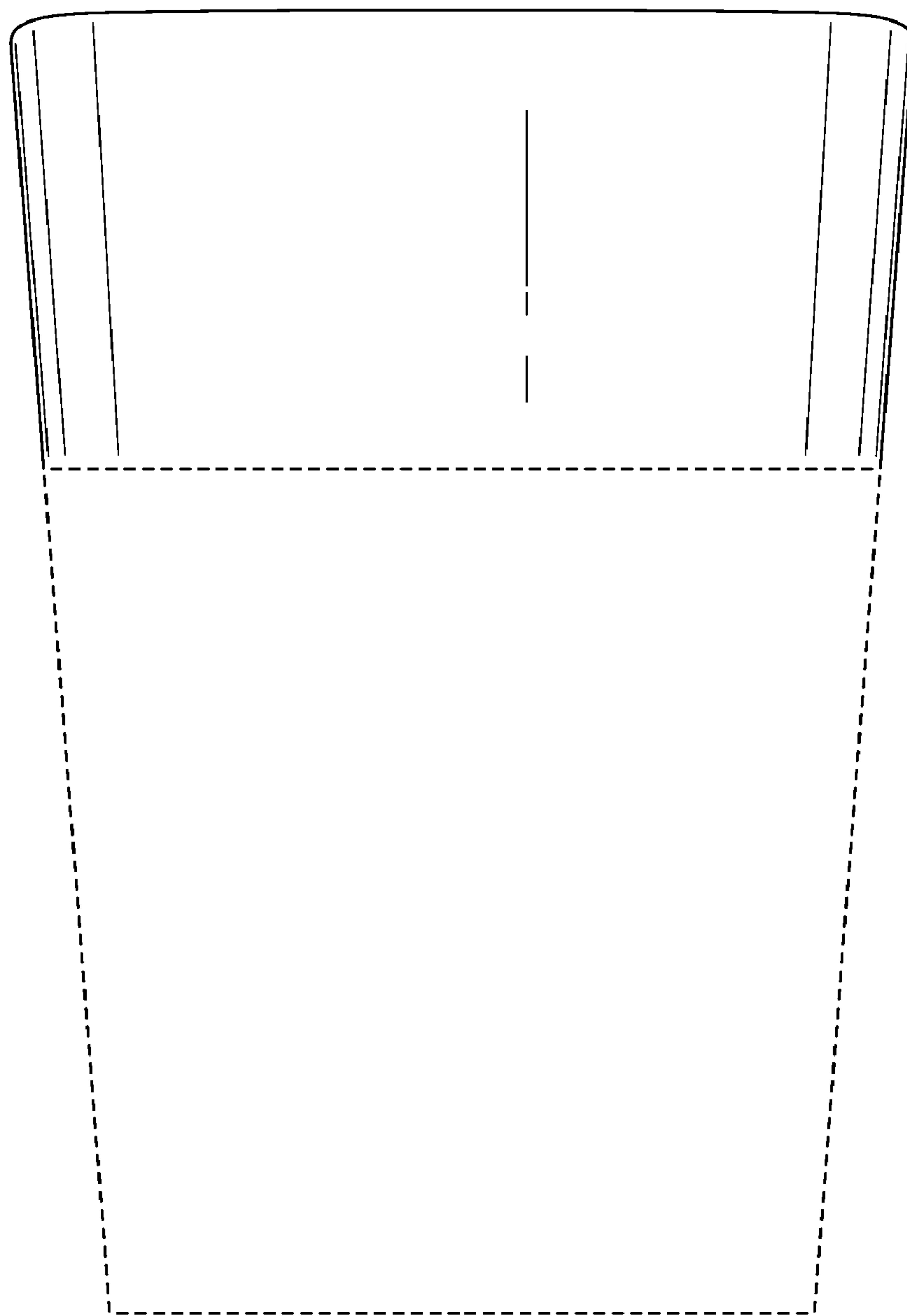


FIG. 6

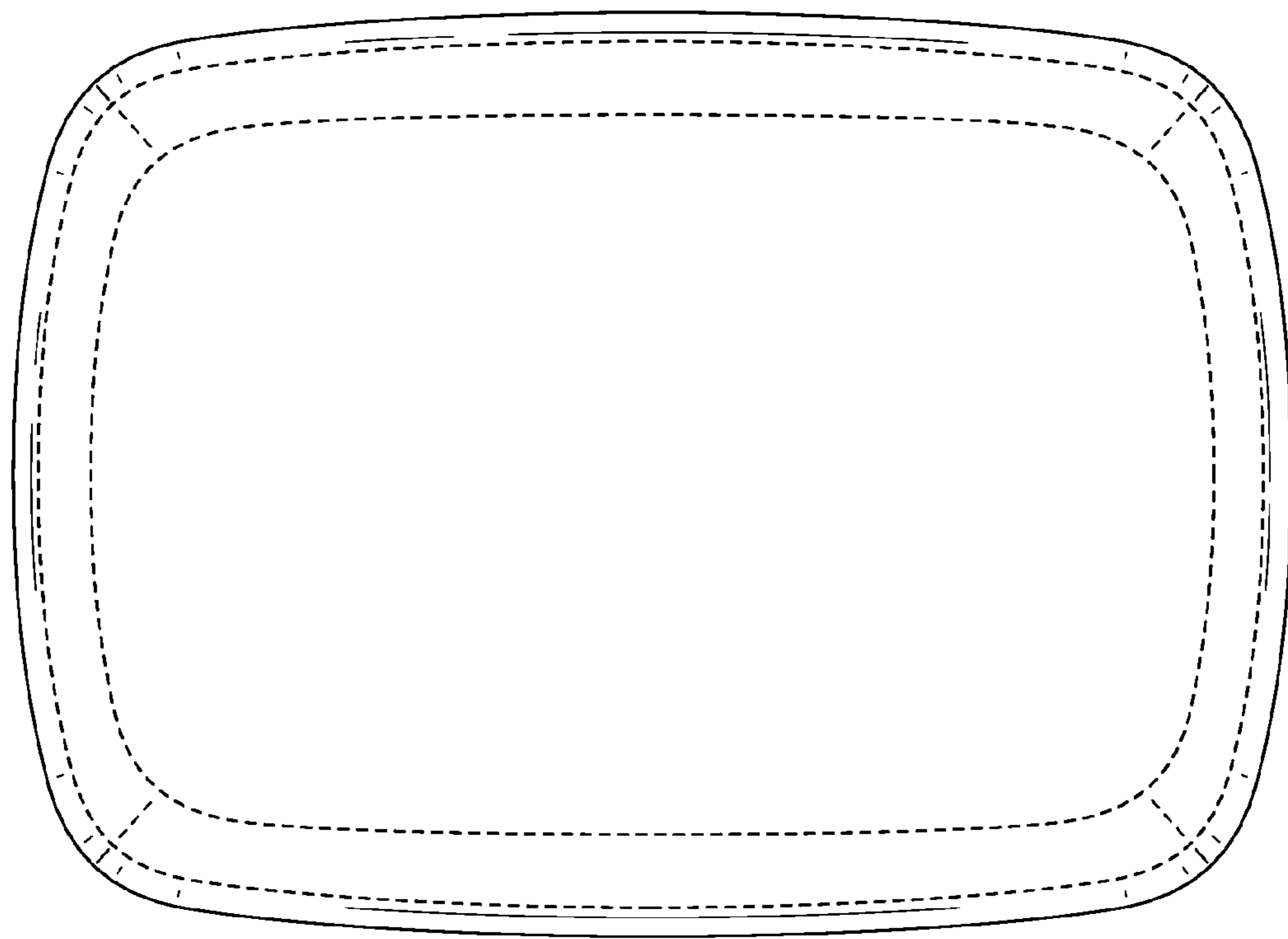


FIG. 7

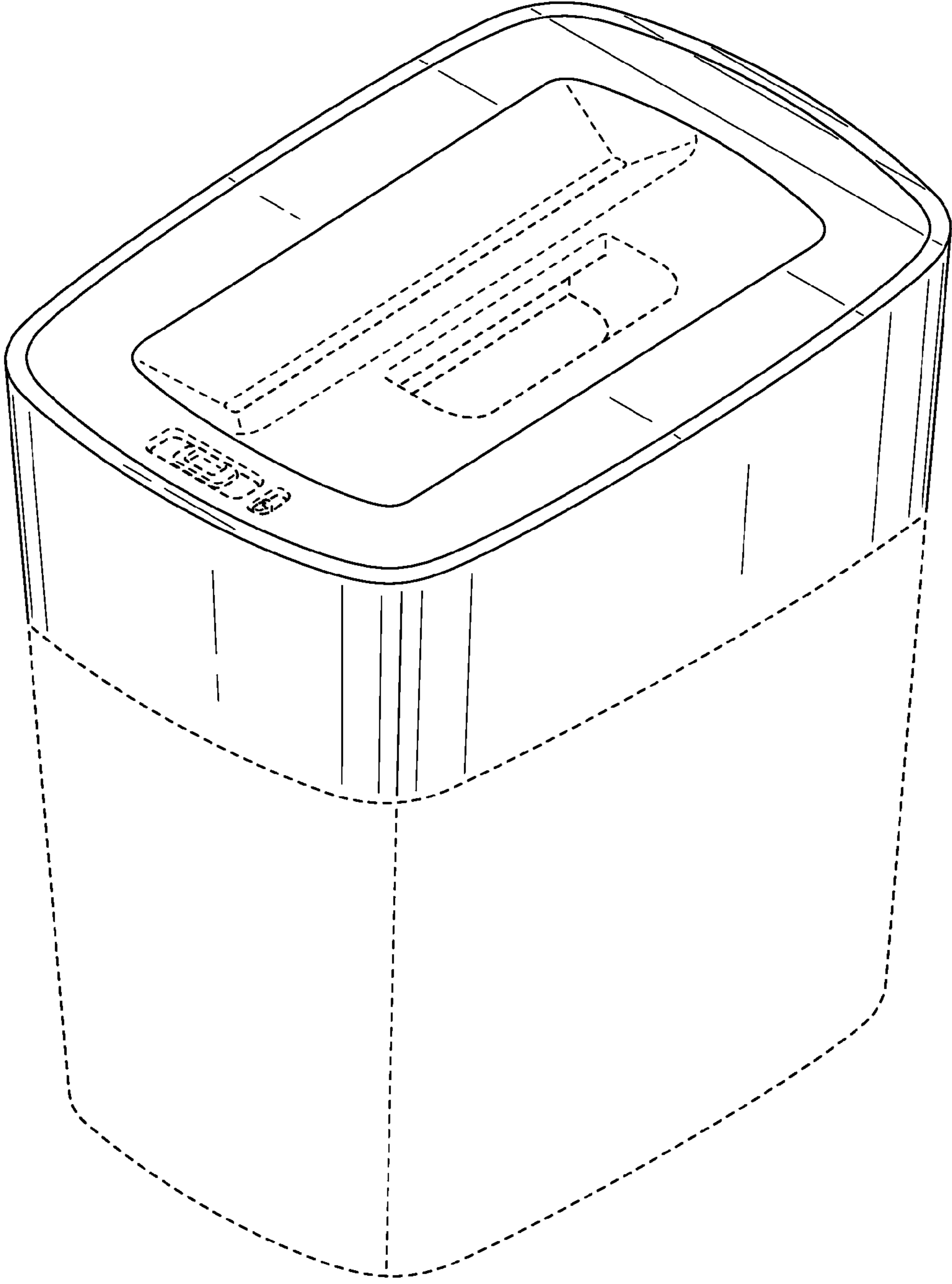


FIG. 8

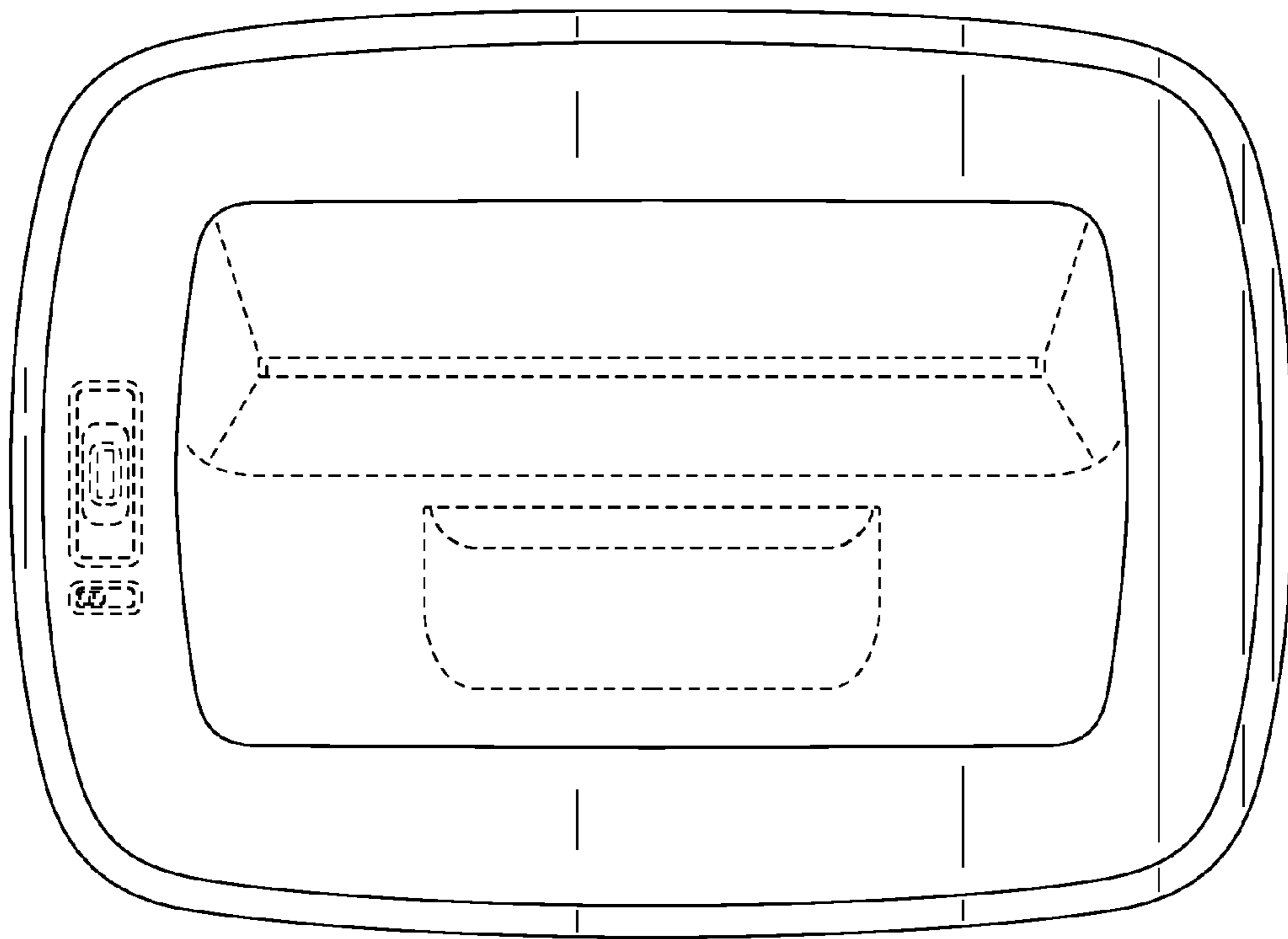


FIG. 9

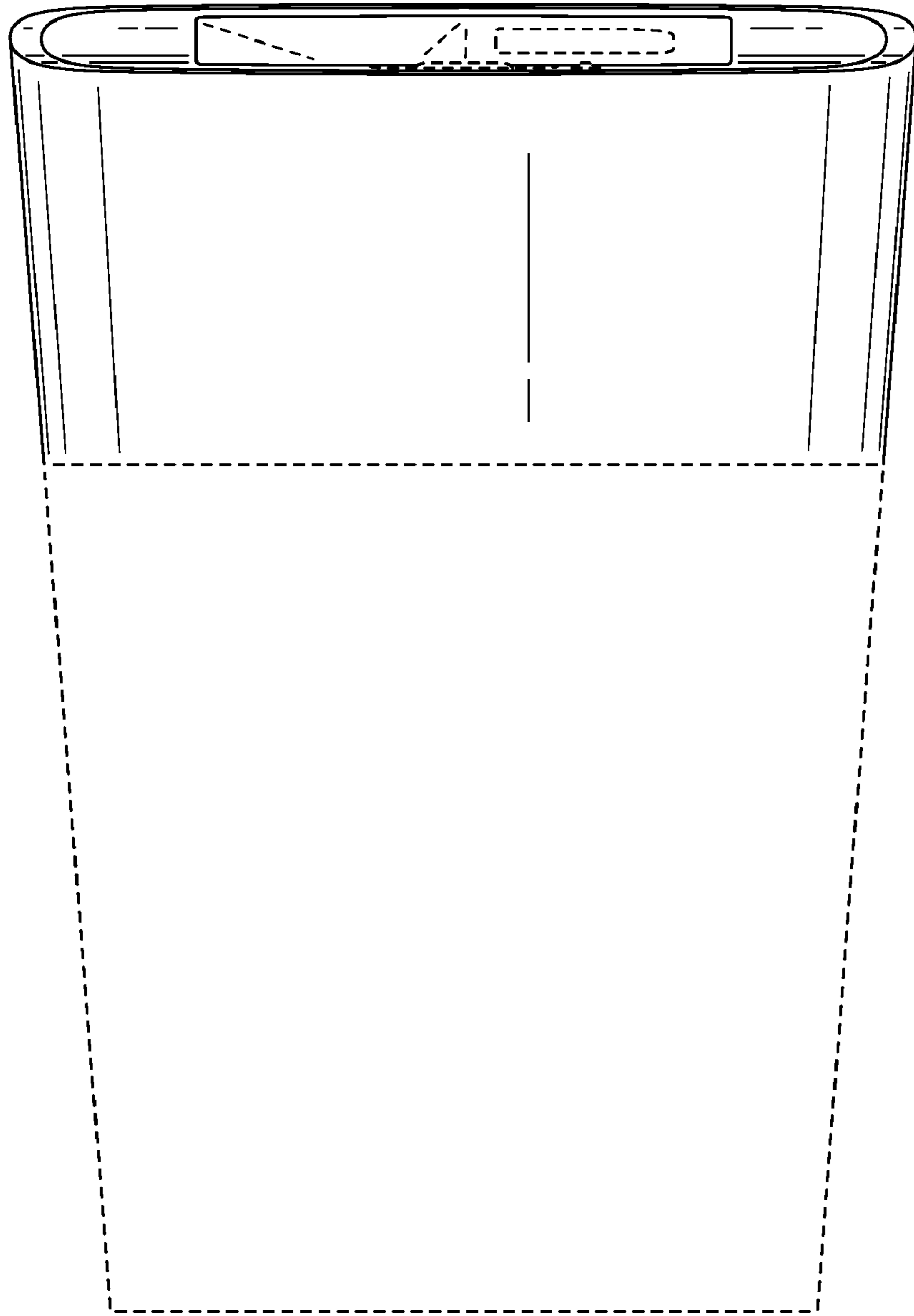


FIG. 10

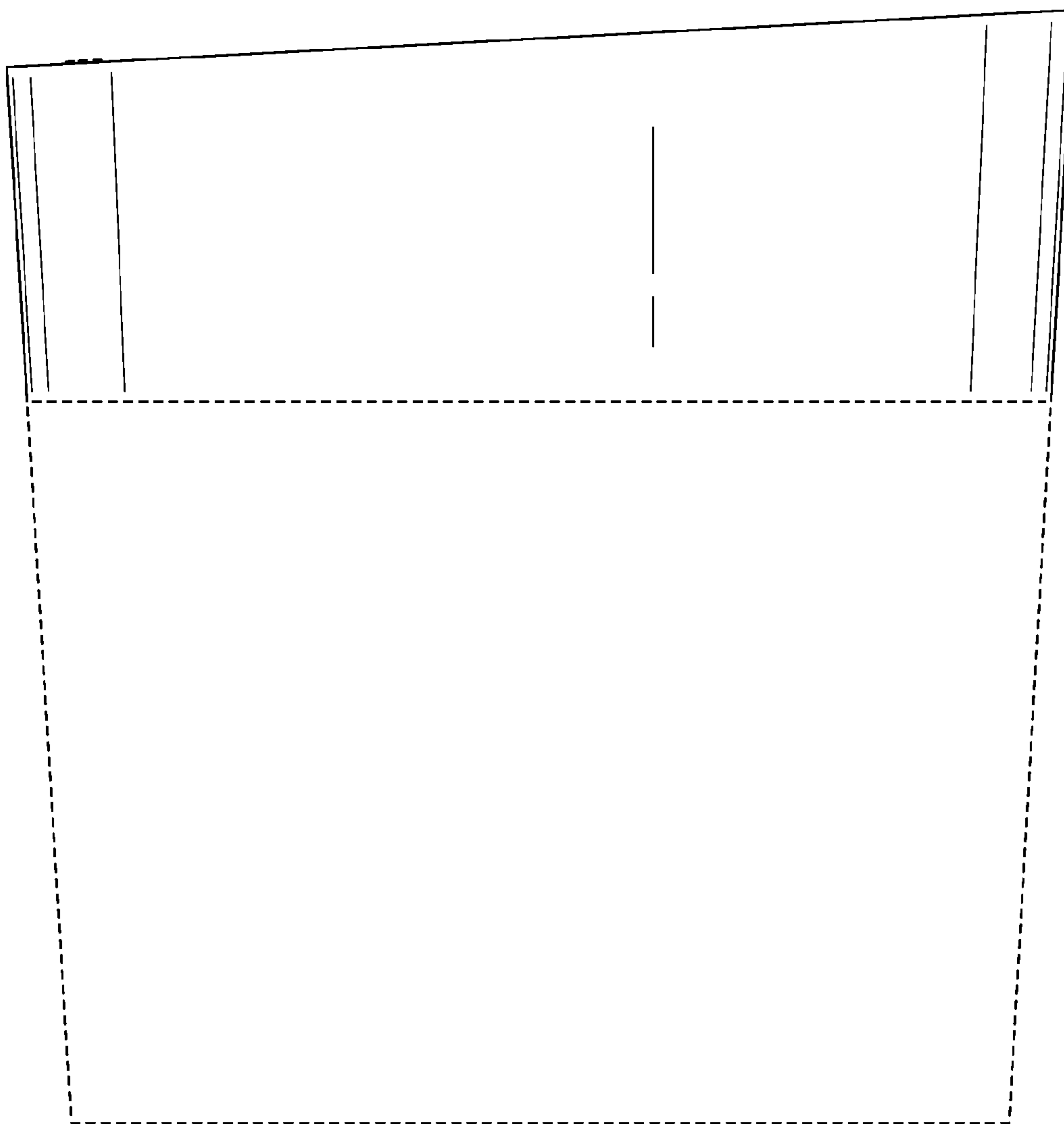


FIG. 11

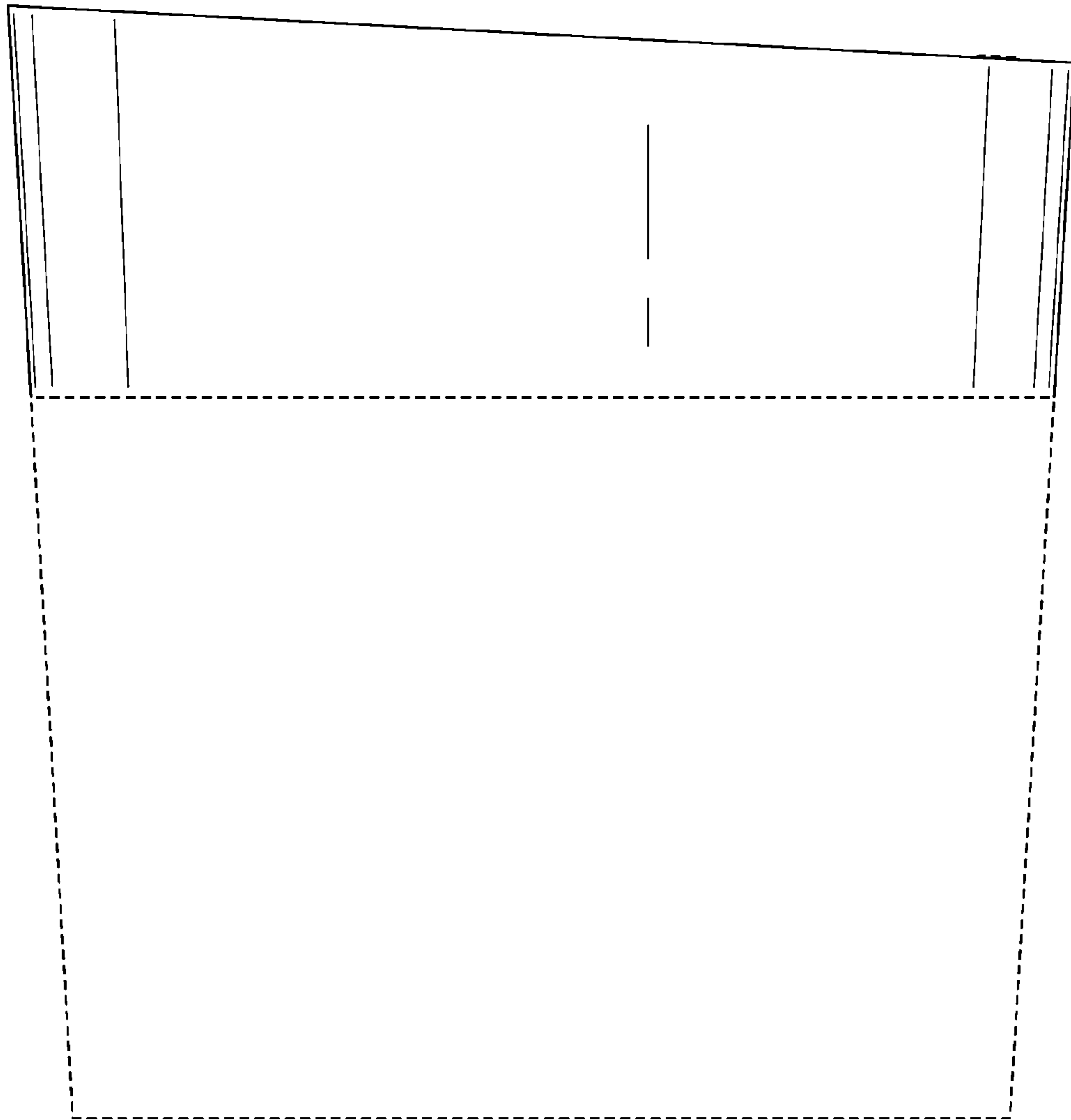


FIG. 12

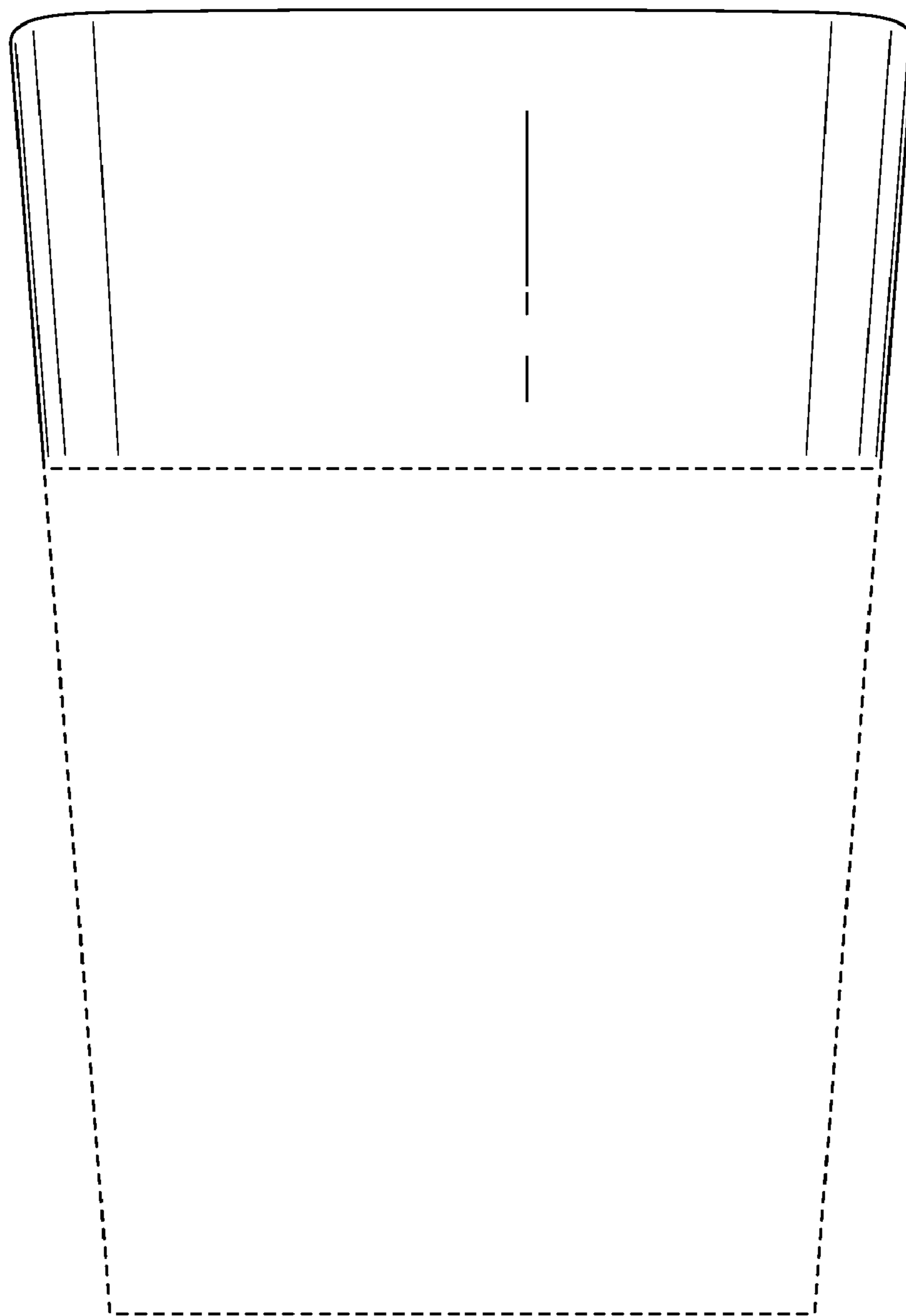


FIG. 13

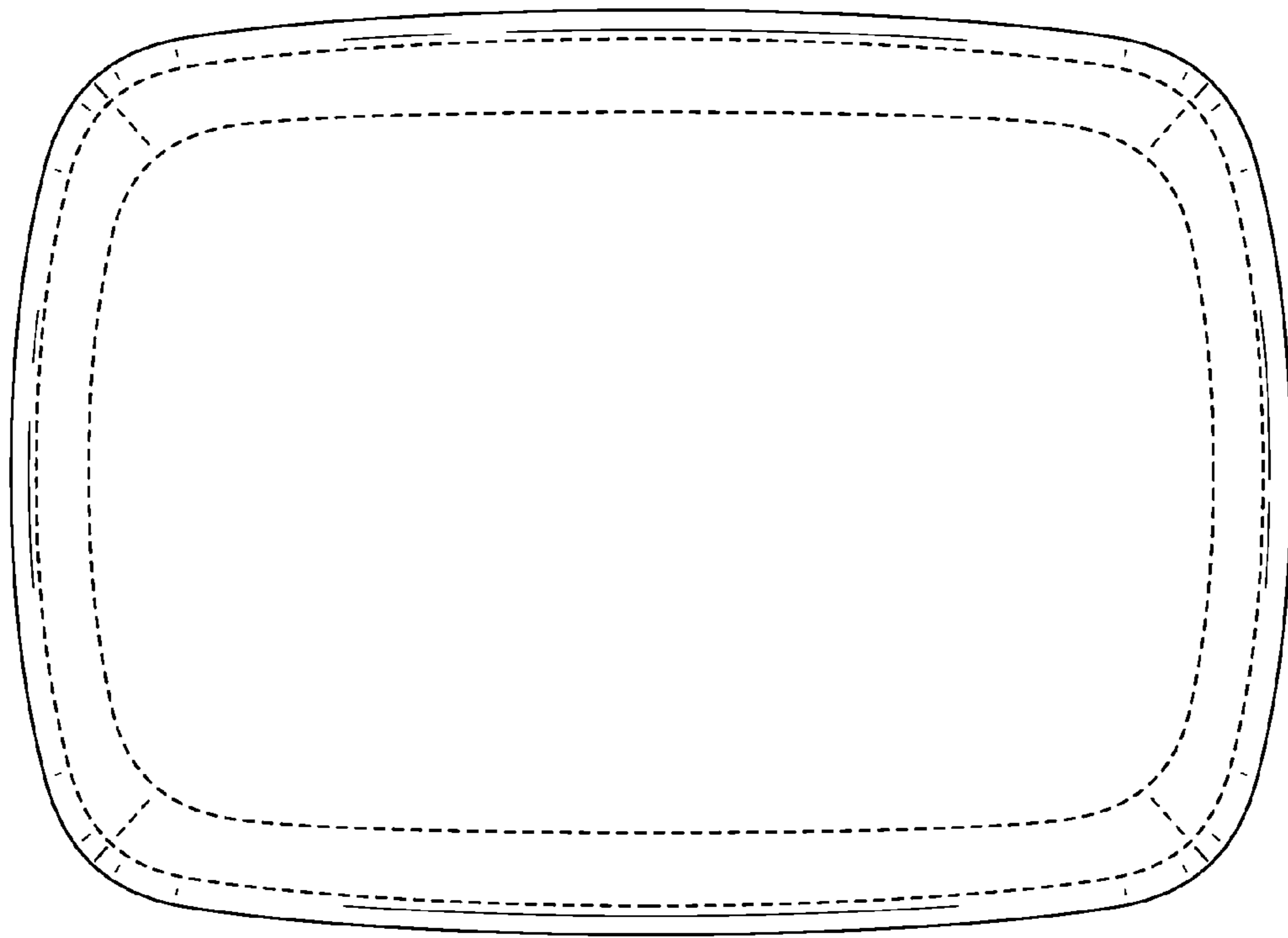


FIG. 14