



US00D647127S

(12) **United States Design Patent**
Mita et al.

(10) **Patent No.:** **US D647,127 S**
(45) **Date of Patent:** **** Oct. 18, 2011**

(54) **TAPE CARTRIDGE FOR TAPE PRINTING MACHINE**

FOREIGN PATENT DOCUMENTS

JP D941805 12/1995

(75) Inventors: **Masayoshi Mita**, Nagoya (JP); **Toshiya Inada**, Nagoya (JP)

OTHER PUBLICATIONS

Japanese Office Action in Japanese Design Patent Application No. 2009-015367 dated Nov. 27, 2009.

(73) Assignee: **Brother Industries, Ltd.**, Nagoya (JP)

Primary Examiner — Holly Baynham

(**) Term: **14 Years**

Assistant Examiner — Michelle E Wilson

(21) Appl. No.: **29/353,264**

(74) *Attorney, Agent, or Firm* — Oliff & Berridge, PLC

(22) Filed: **Jan. 6, 2010**

(57) **CLAIM**

The ornamental design for a tape cartridge for tape printing machine, as shown and described.

(30) **Foreign Application Priority Data**

DESCRIPTION

Jul. 6, 2009 (JP) 2009-015367
Jul. 6, 2009 (JP) 2009-015368

(51) **LOC (9) Cl.** **18-01**

(52) **U.S. Cl.** **D18/12**

(58) **Field of Classification Search** D18/1,
D18/36, 40, 43, 44, 56; D14/562, 469–471,
D14/474–484; 222/DIG. 1; 347/49, 86,
347/87, 197, 214, 222; 399/24–28, 107–112,
399/119, 222–224; 400/194, 196, 207, 208
See application file for complete search history.

FIG. 1 is a perspective view of a tape cartridge for tape printing machine according to a first embodiment; FIG. 2 is another perspective view thereof; FIG. 3 is a top view thereof; FIG. 4 is a front view thereof; FIG. 5 is a right-side view thereof; FIG. 6 is a left-side view thereof; FIG. 7 is a bottom view thereof; FIG. 8 is a rear view thereof; FIG. 9 is a cross-sectional view thereof taken along the line 9-9 of FIG. 3;

(56) **References Cited**

U.S. PATENT DOCUMENTS

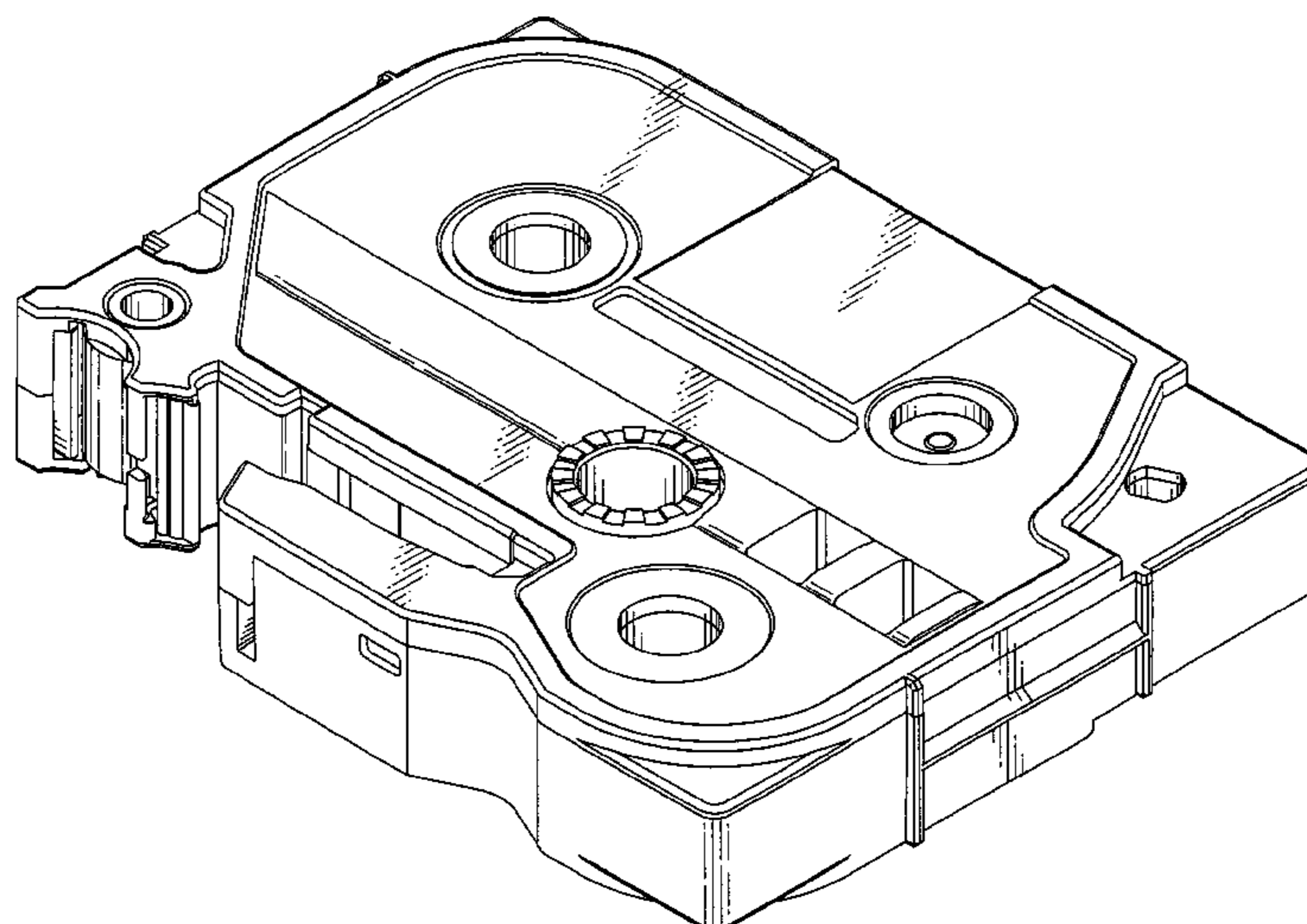
D211,791 S * 7/1968 Adell D14/475
D224,683 S * 8/1972 Wada et al. D14/475
D281,333 S * 11/1985 Nibley et al. D18/56
D305,549 S * 1/1990 Bellini D18/12
D311,416 S * 10/1990 Richardson et al. D18/12
D342,275 S * 12/1993 Cooper D18/56
D342,276 S * 12/1993 Tsushima D18/12
5,316,235 A * 5/1994 East et al. 242/346
D349,895 S * 8/1994 Gramuglia D14/476
D352,305 S * 11/1994 Cooper D18/12
D359,303 S * 6/1995 Gray et al. D18/12
5,425,481 A * 6/1995 Makie et al. 222/160

FIG. 10 is a perspective view of the tape cartridge for tape printing machine according to a second embodiment; FIG. 11 is another perspective view thereof; FIG. 12 is a top view thereof; FIG. 13 is a front view thereof; FIG. 14 is a right-side view thereof; FIG. 15 is a left-side view thereof; FIG. 16 is a bottom view thereof; FIG. 17 is a rear view thereof; and, FIG. 18 is a cross-sectional view thereof taken along the line 18-18 of FIG. 12.

The broken lines depict environmental subject matter only and form no part of the claimed design.

(Continued)

1 Claim, 16 Drawing Sheets



US D647,127 S

Page 2

U.S. PATENT DOCUMENTS

5,435,658	A *	7/1995	Hasegawa	400/241	5,949,467	A *	9/1999	Gunther et al.	347/214
5,618,119	A *	4/1997	Misu et al.	400/208	D432,561	S *	10/2000	Shimamura et al.	D18/12
5,620,268	A *	4/1997	Yamaguchi et al.	400/613	D435,589	S *	12/2000	Huss	D18/56
5,653,542	A *	8/1997	Sugimoto et al.	400/248	6,485,206	B1 *	11/2002	Takahashi	400/207
D384,055	S *	9/1997	Luo	D14/476	6,493,937	B1 *	12/2002	Axtell et al.	29/890.1
5,771,803	A *	6/1998	Takami	101/128.21	6,520,696	B2 *	2/2003	Huss et al.	400/208
5,813,773	A *	9/1998	Kawai	400/207	D509,531	S *	9/2005	Geserich	D18/12

* cited by examiner

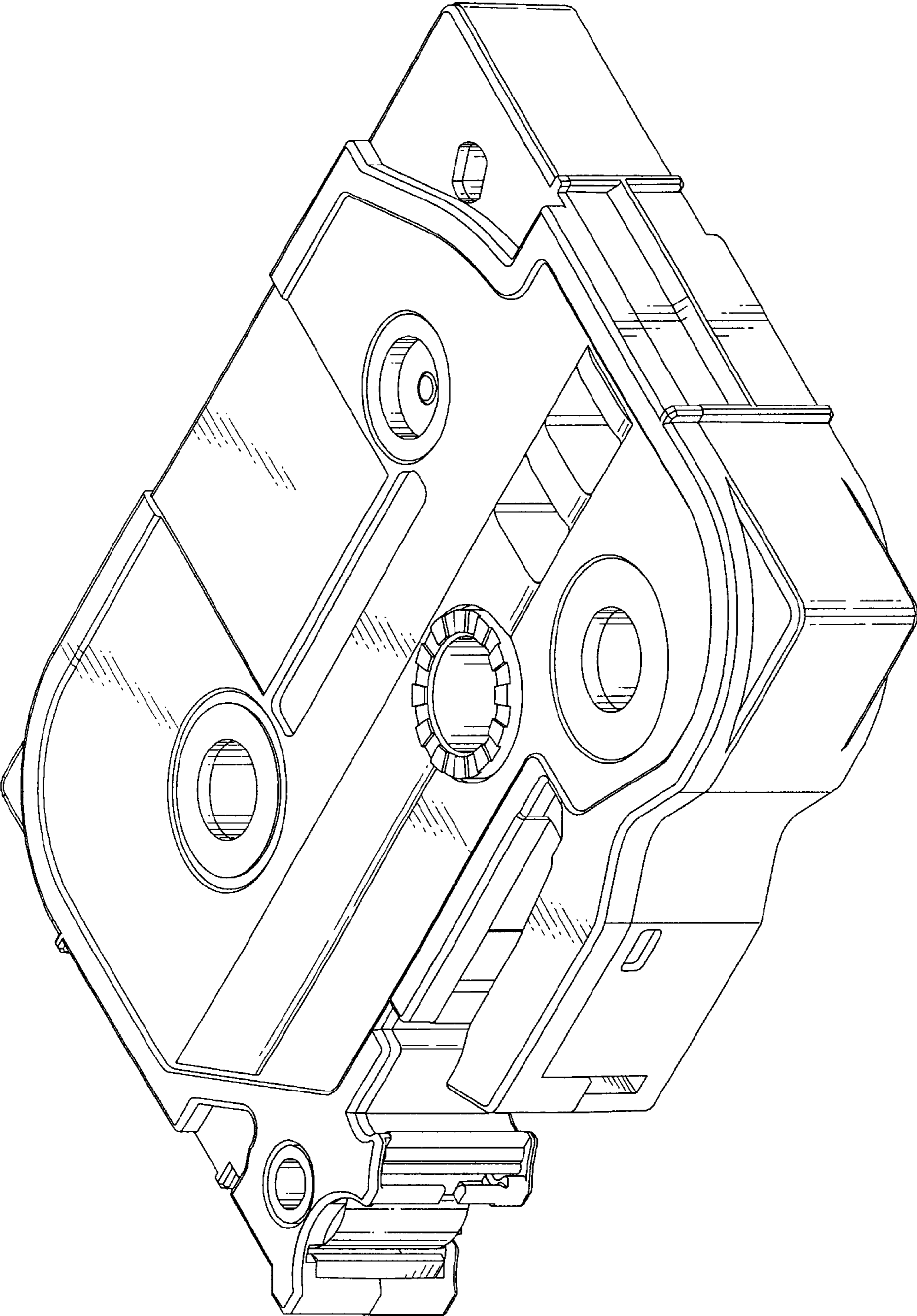


FIG. 1

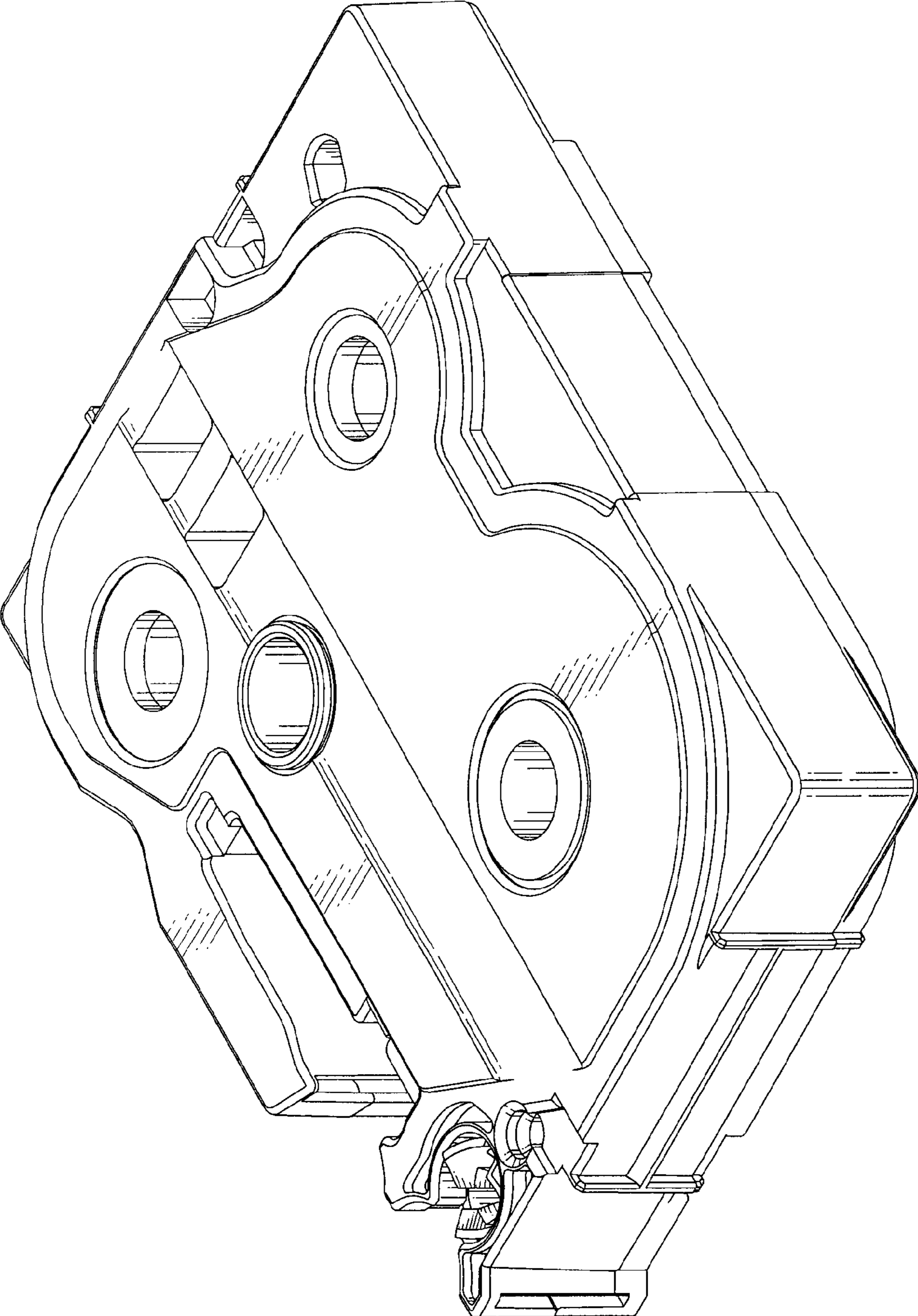


FIG. 2

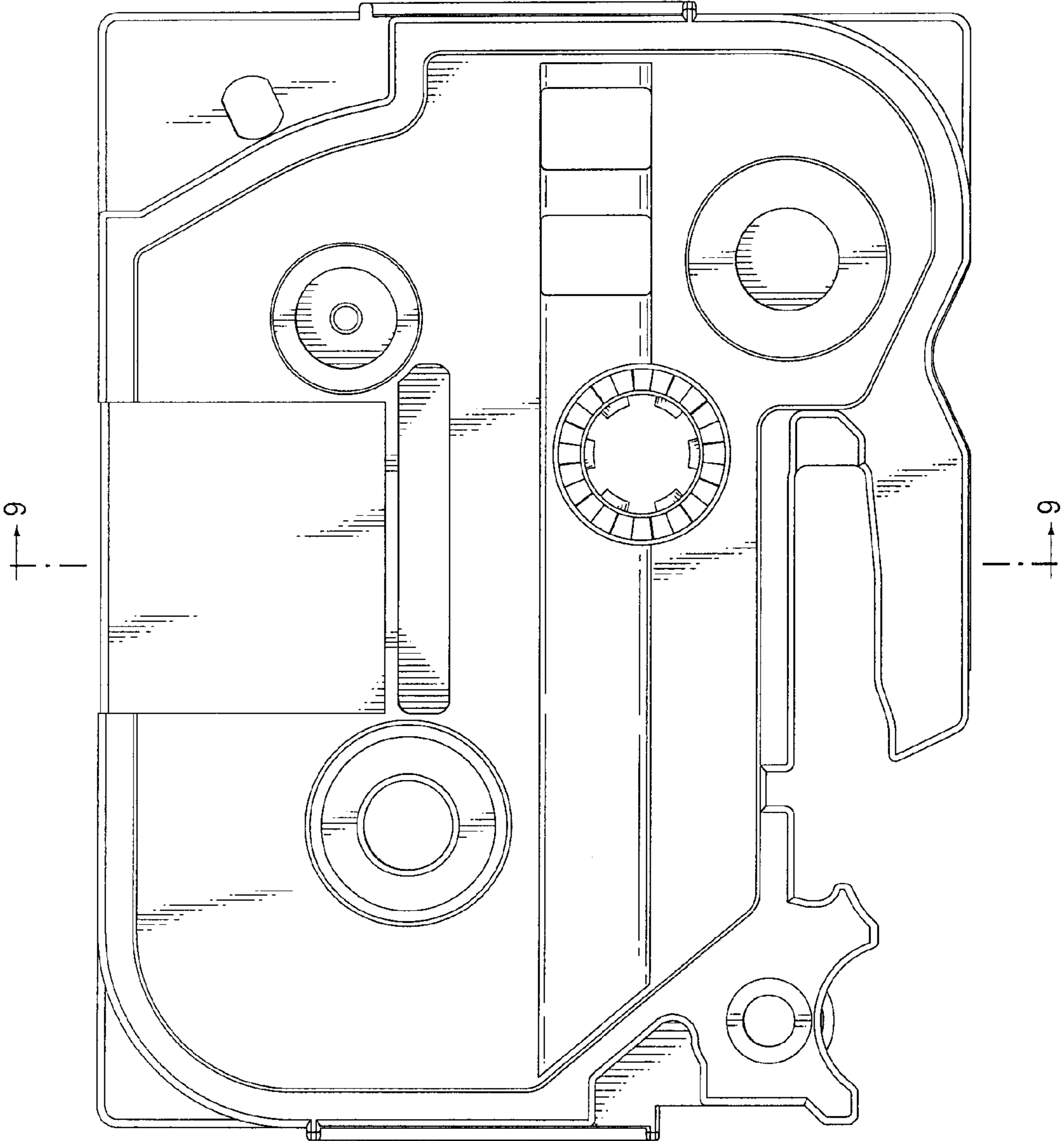


FIG. 3

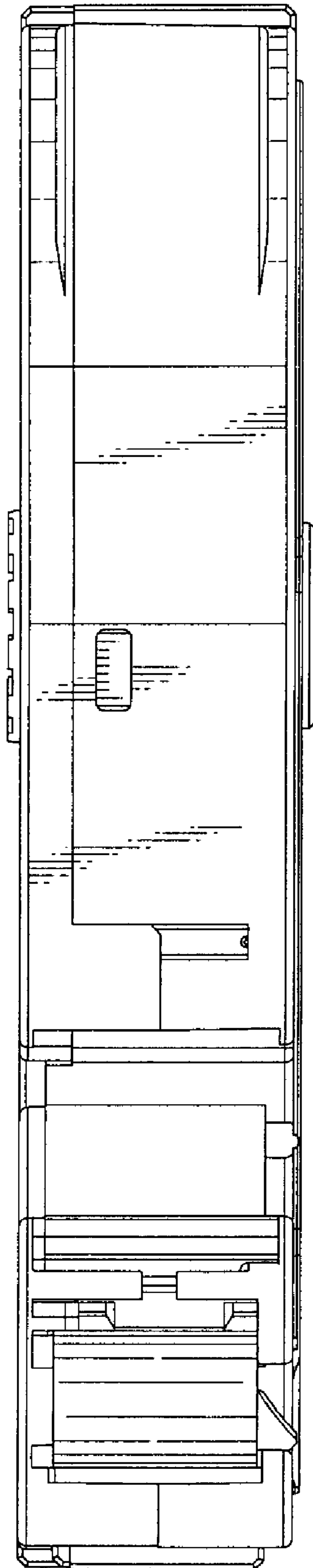


FIG. 4

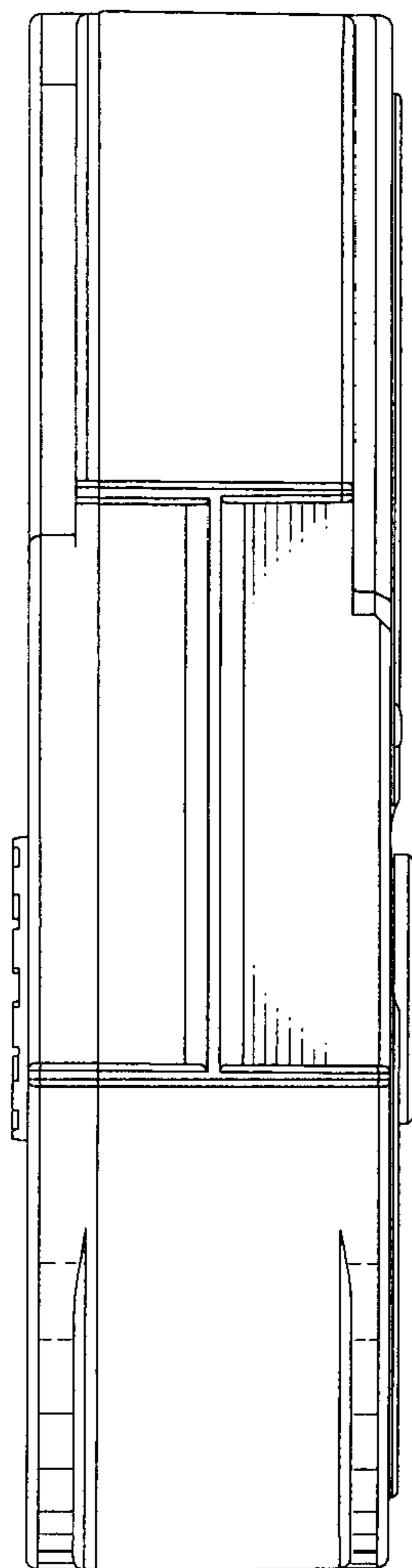


FIG. 5

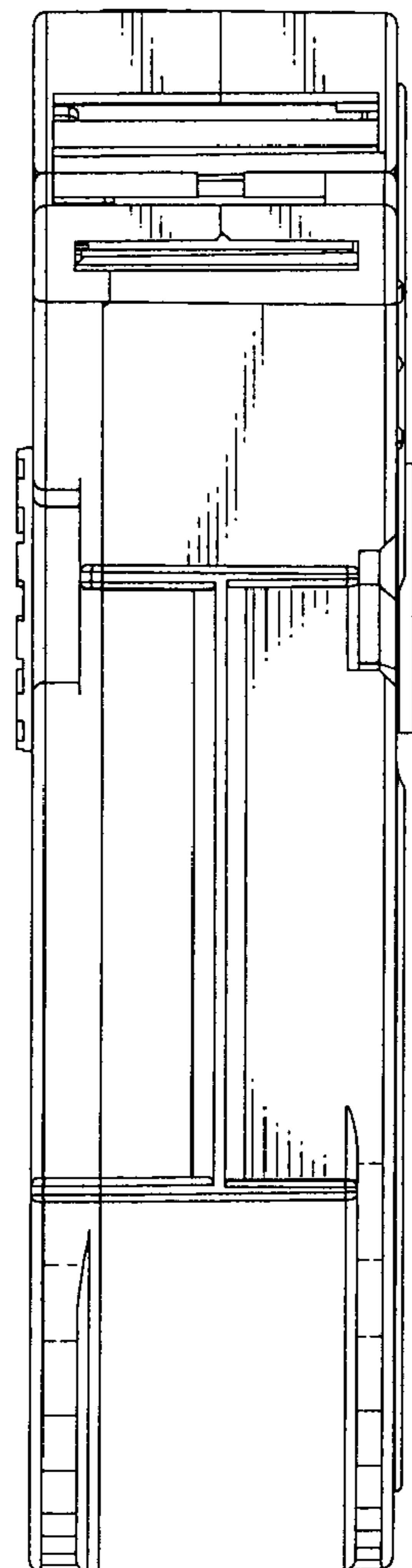


FIG. 6

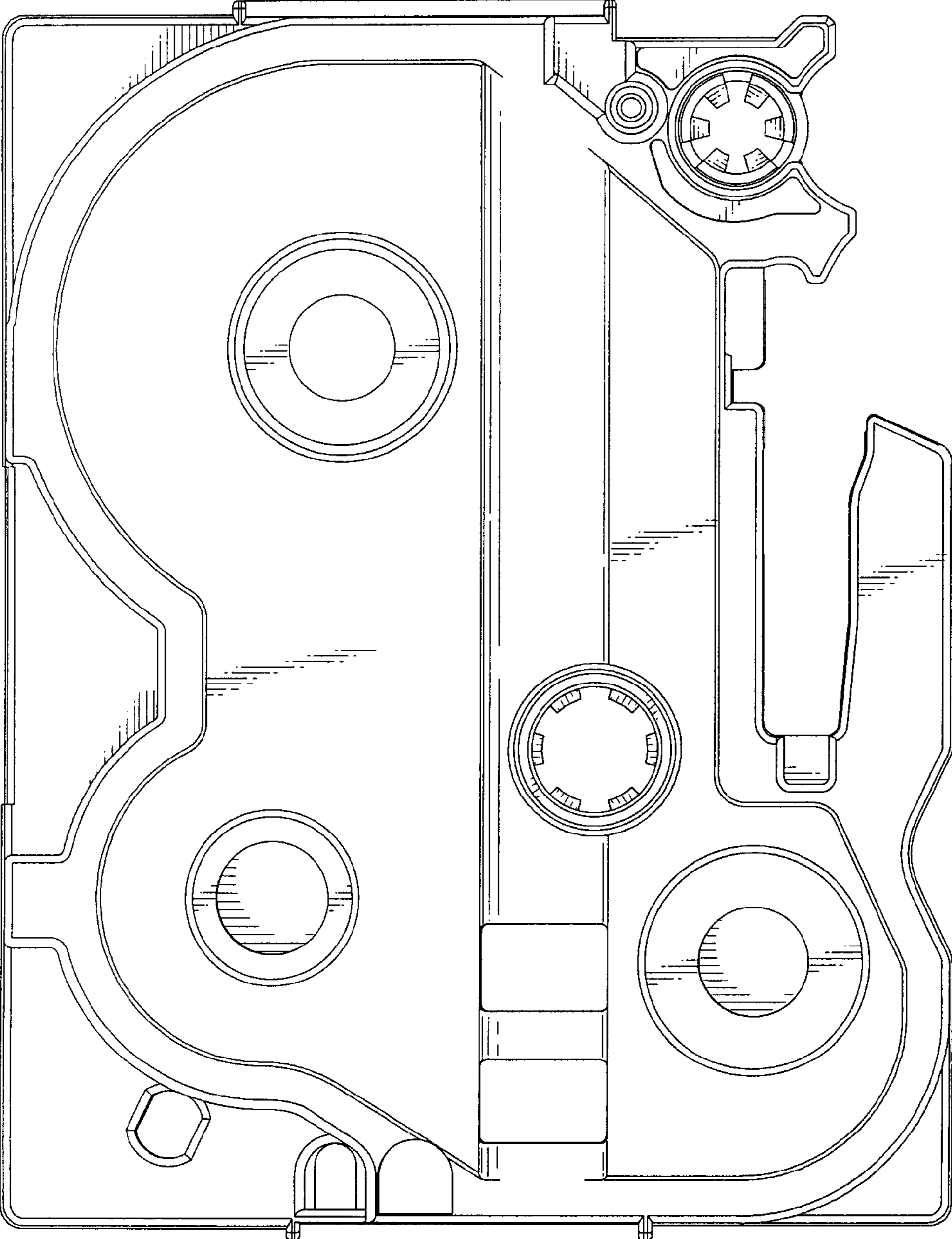


FIG. 7

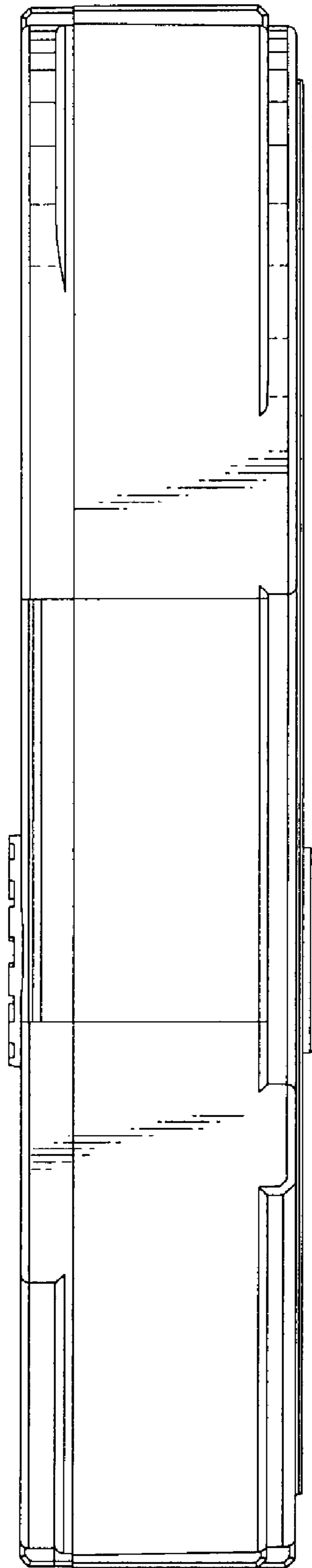


FIG. 8

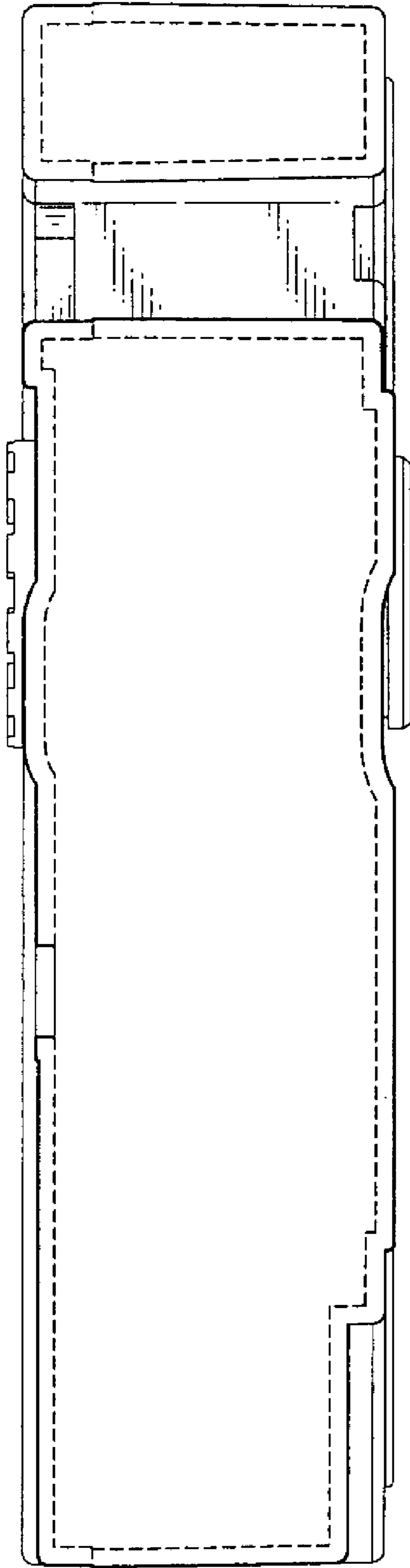


FIG. 9

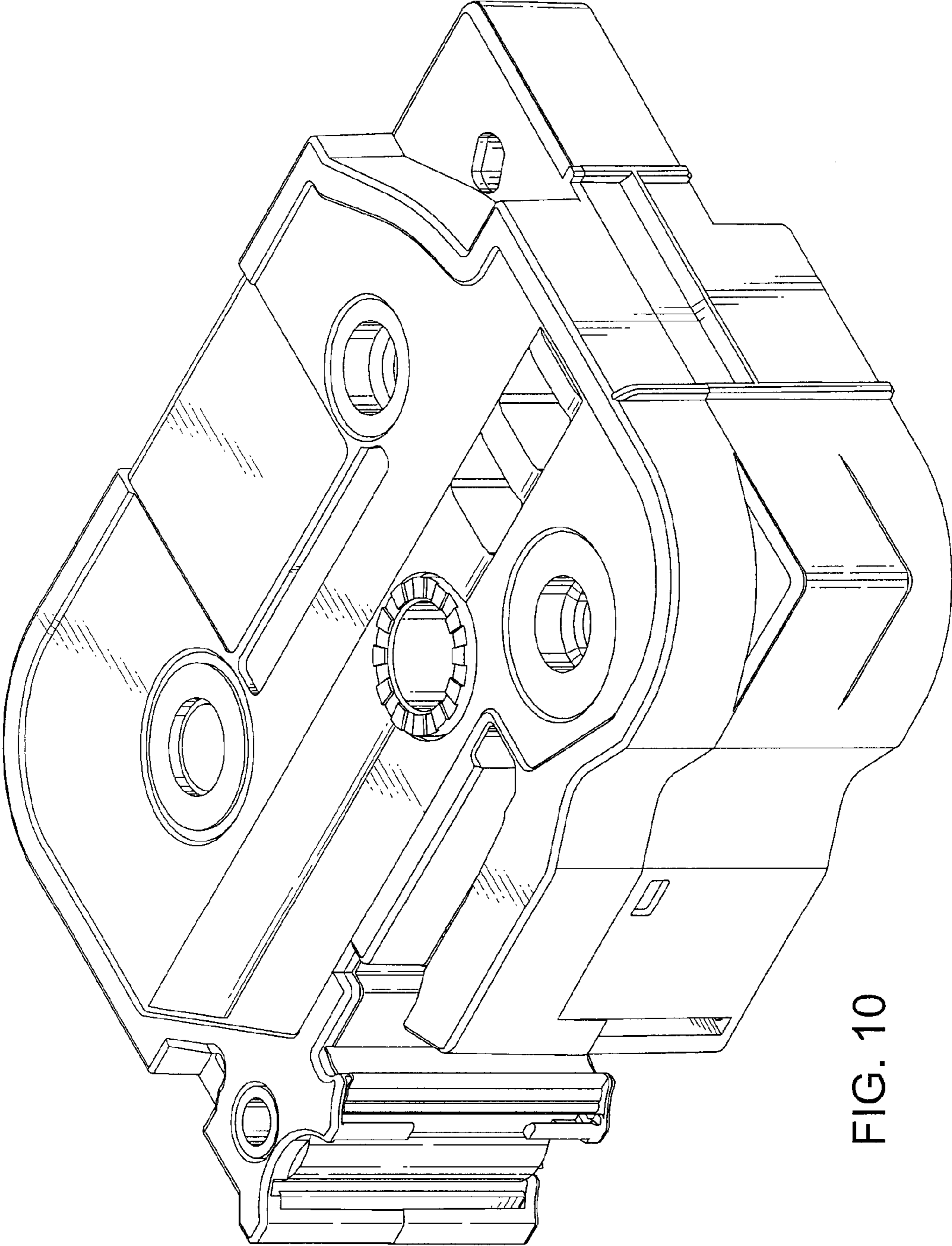


FIG. 10

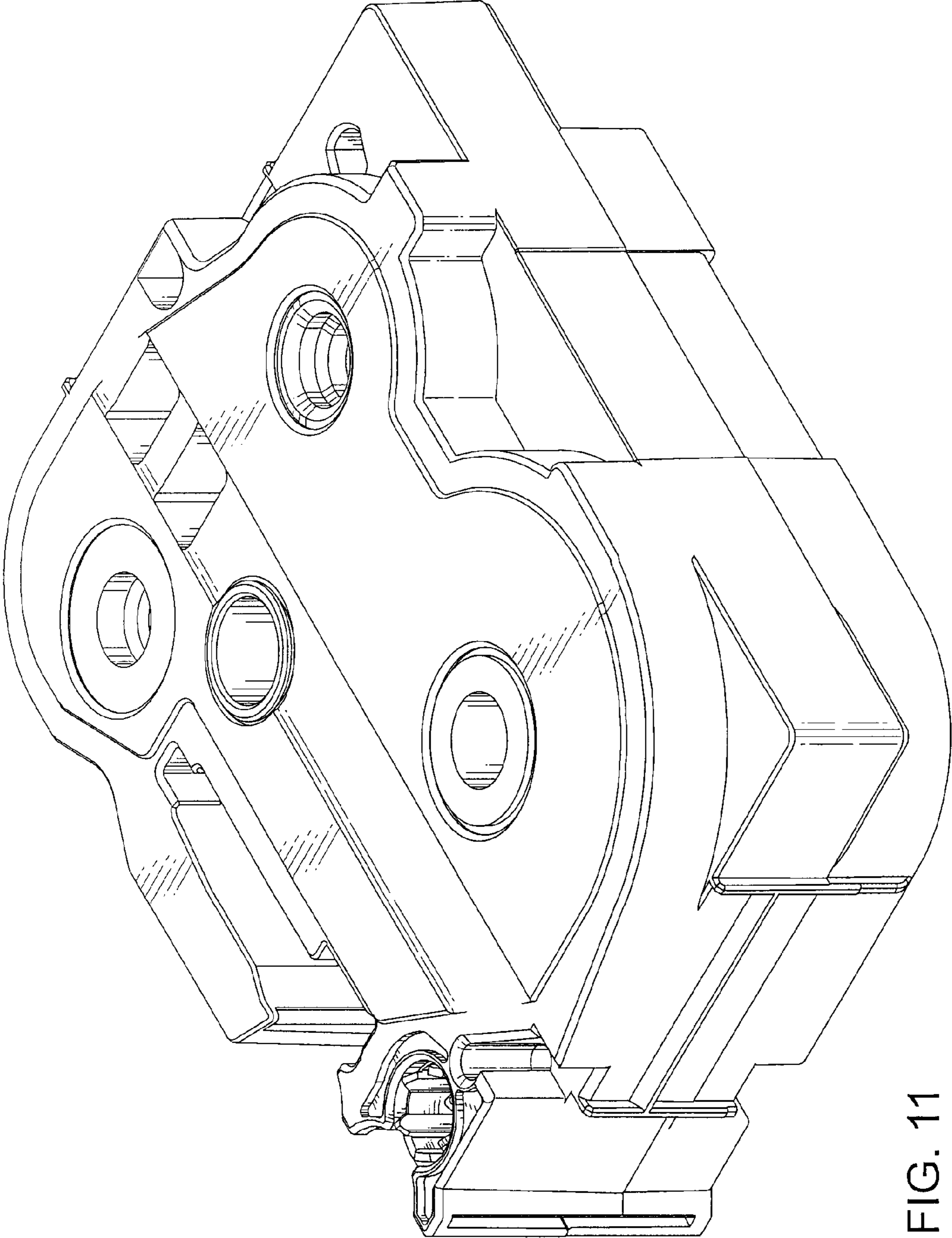


FIG. 11

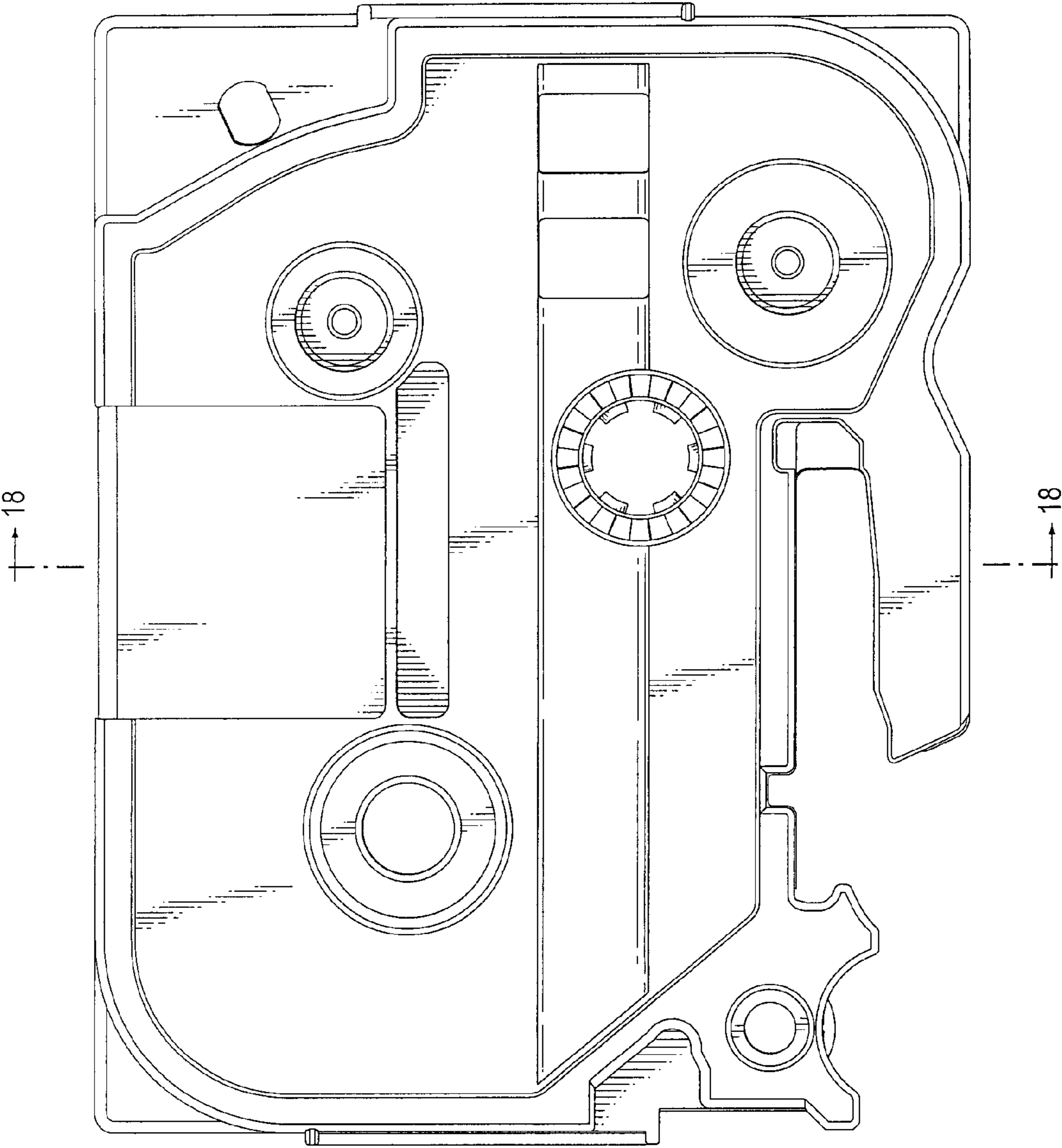


FIG. 12

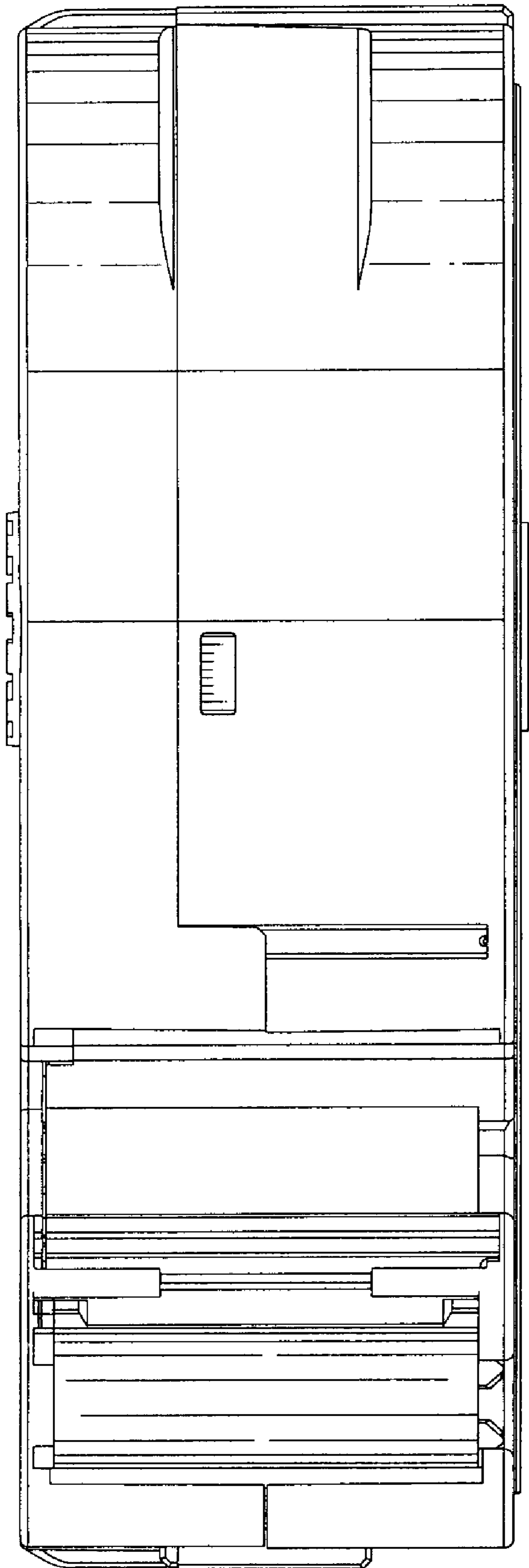


FIG. 13

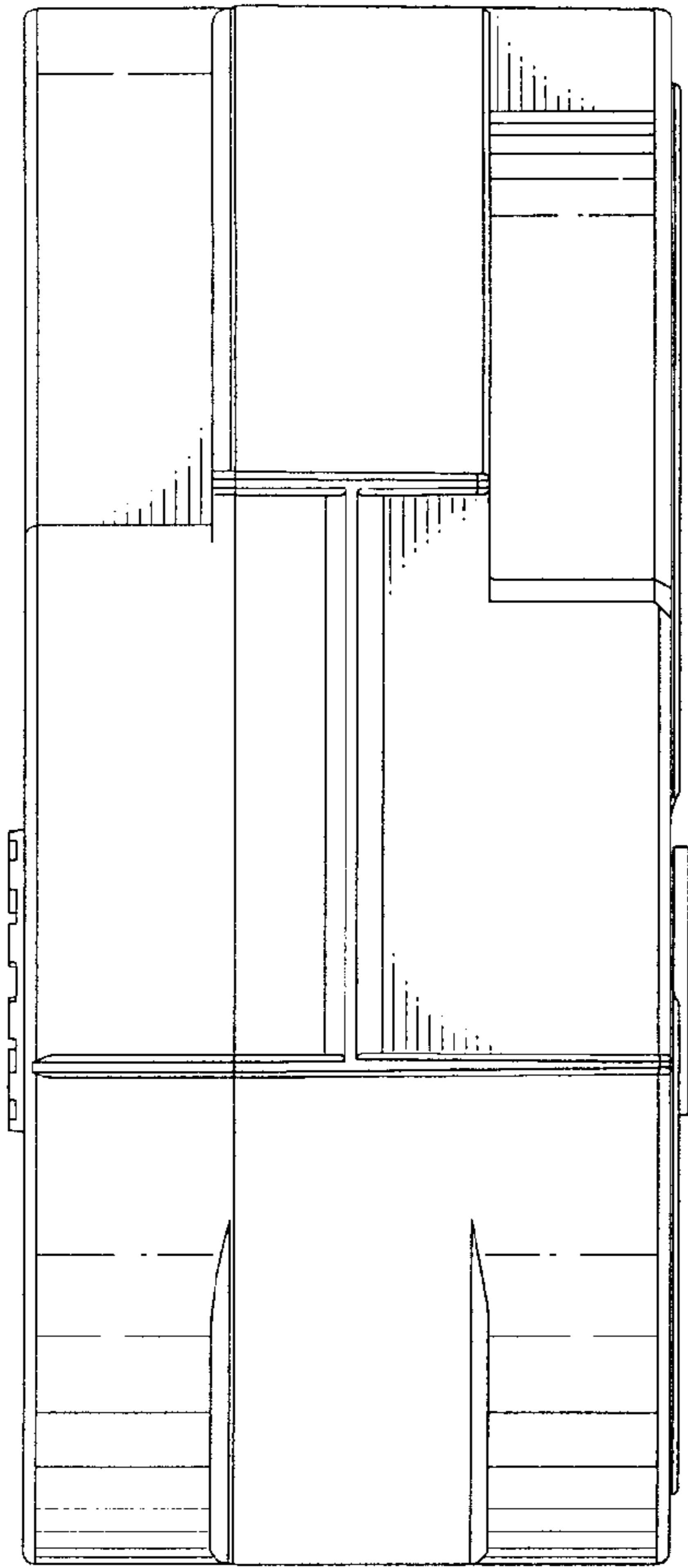


FIG. 14

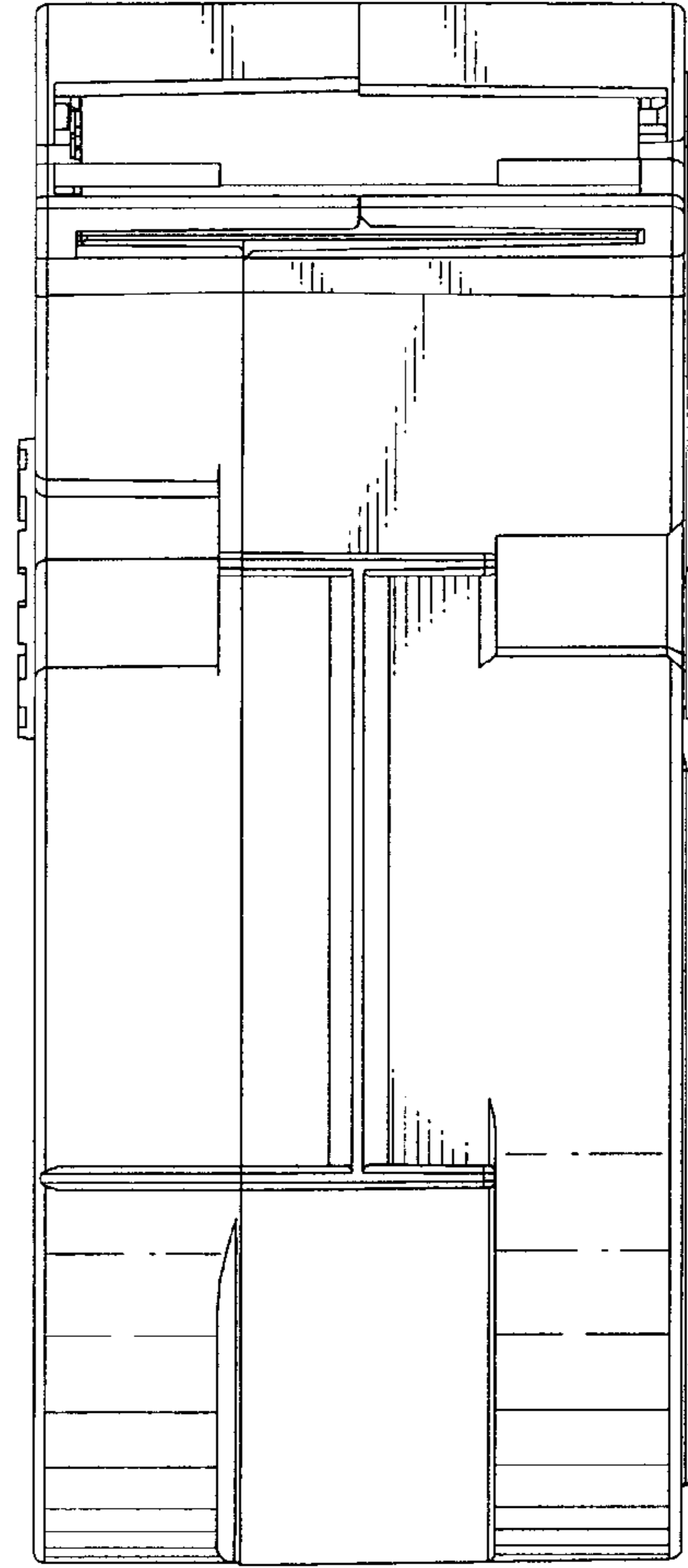


FIG. 15

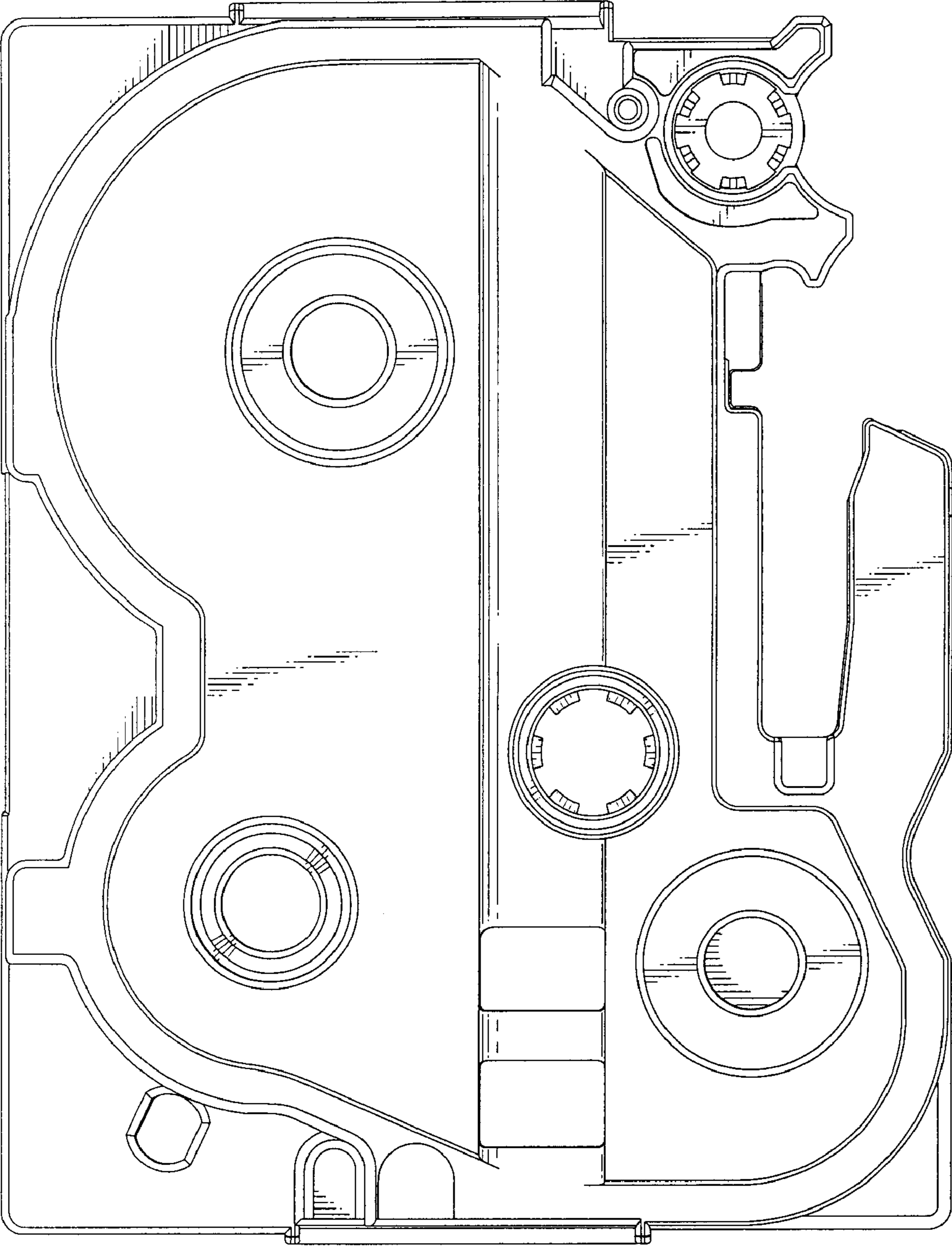


FIG. 16

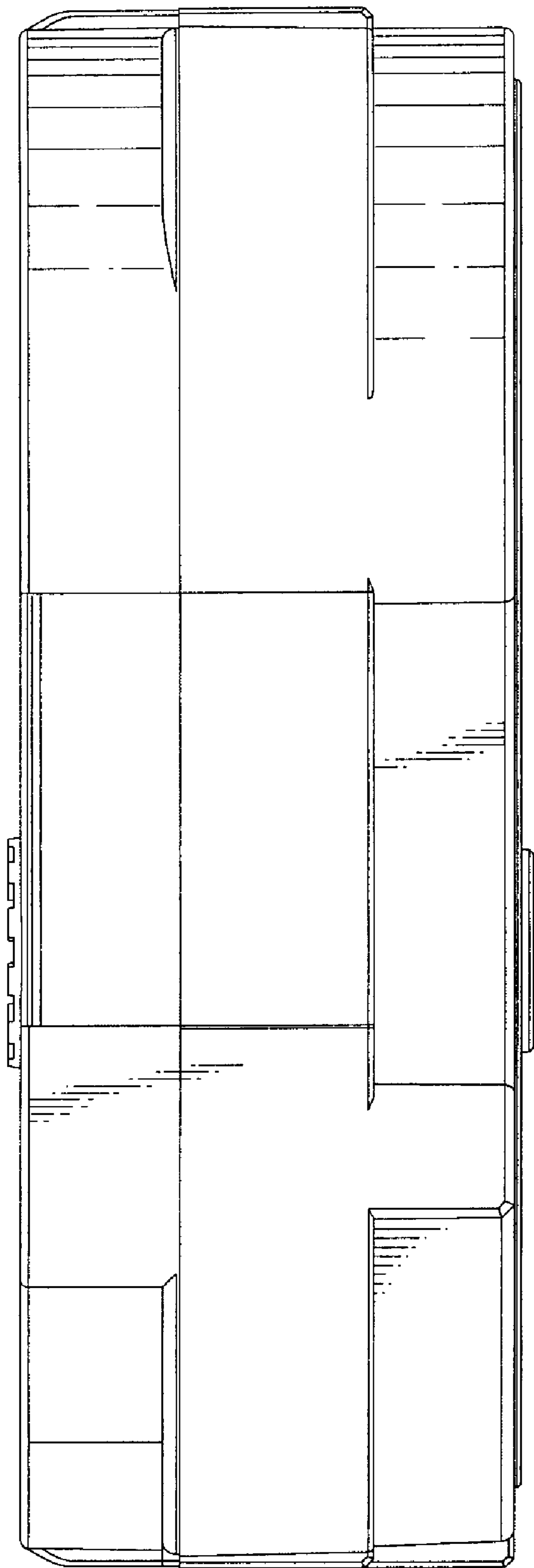


FIG. 17

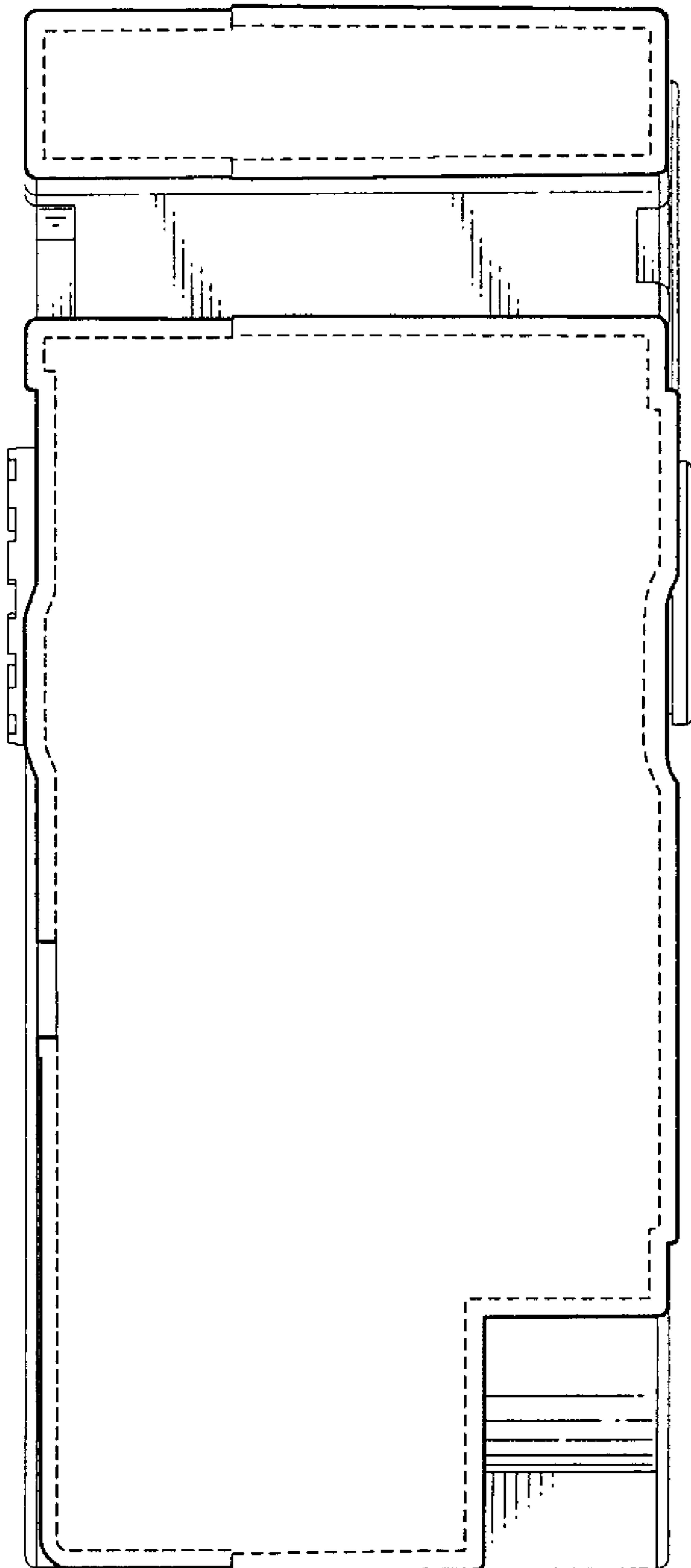


FIG. 18