



US00D647120S

(12) **United States Design Patent**
Kawabe et al.

(10) **Patent No.:** **US D647,120 S**
(45) **Date of Patent:** **** Oct. 18, 2011**

(54) **PROJECTOR**

(75) Inventors: **Genta Kawabe**, Matsumoto (JP); **Saeko Inoue**, Matsumoto (JP); **Yasutomo Takahashi**, Matsumoto (JP); **Mika Koyama**, Matsumoto (JP); **Yukihiro Horiko**, Matsumoto (JP)

(73) Assignee: **Seiko Epson Corporation**, Tokyo (JP)

(**) Term: **14 Years**

(21) Appl. No.: **29/381,502**

(22) Filed: **Dec. 20, 2010**

(30) **Foreign Application Priority Data**

Sep. 16, 2010 (JP) 2010-022305

(51) **LOC (9) Cl.** **16-02**

(52) **U.S. Cl.** **D16/230; D16/225**

(58) **Field of Classification Search** D16/205,
D16/208, 221, 225, 230-231, 234; D21/514;
353/15, 57, 61, 115, 119, 122

See application file for complete search history.

(56) **References Cited**

U.S. PATENT DOCUMENTS

6,793,343 B2 * 9/2004 Nakano et al. 353/61
7,008,180 B2 * 3/2006 Fujimori et al. 353/57

D544,898 S *	6/2007	Kawabe et al.	D16/230
D551,691 S *	9/2007	Sakamaki et al.	D16/230
D555,697 S *	11/2007	Kawabe et al.	D16/230
D574,406 S *	8/2008	Sakamaki et al.	D16/230
D578,150 S *	10/2008	Sakamaki et al.	D16/230
D591,784 S *	5/2009	Inoue et al.	D16/230
D606,110 S *	12/2009	Inoue et al.	D16/230
D615,575 S *	5/2010	Inoue et al.	D16/230
2009/0168024 A1 *	7/2009	Hayashi	353/15

* cited by examiner

Primary Examiner — Wan Laymon

(74) *Attorney, Agent, or Firm* — Oliff & Berridge, PLC

(57) **CLAIM**

The ornamental design for a projector, as shown and described.

DESCRIPTION

FIG. 1 is a front, top and right-side perspective view of a projector;

FIG. 2 is a rear, bottom and left-side view thereof;

FIG. 3 is a front view of the projector;

FIG. 4 is rear view thereof;

FIG. 5 is a left-side view thereof;

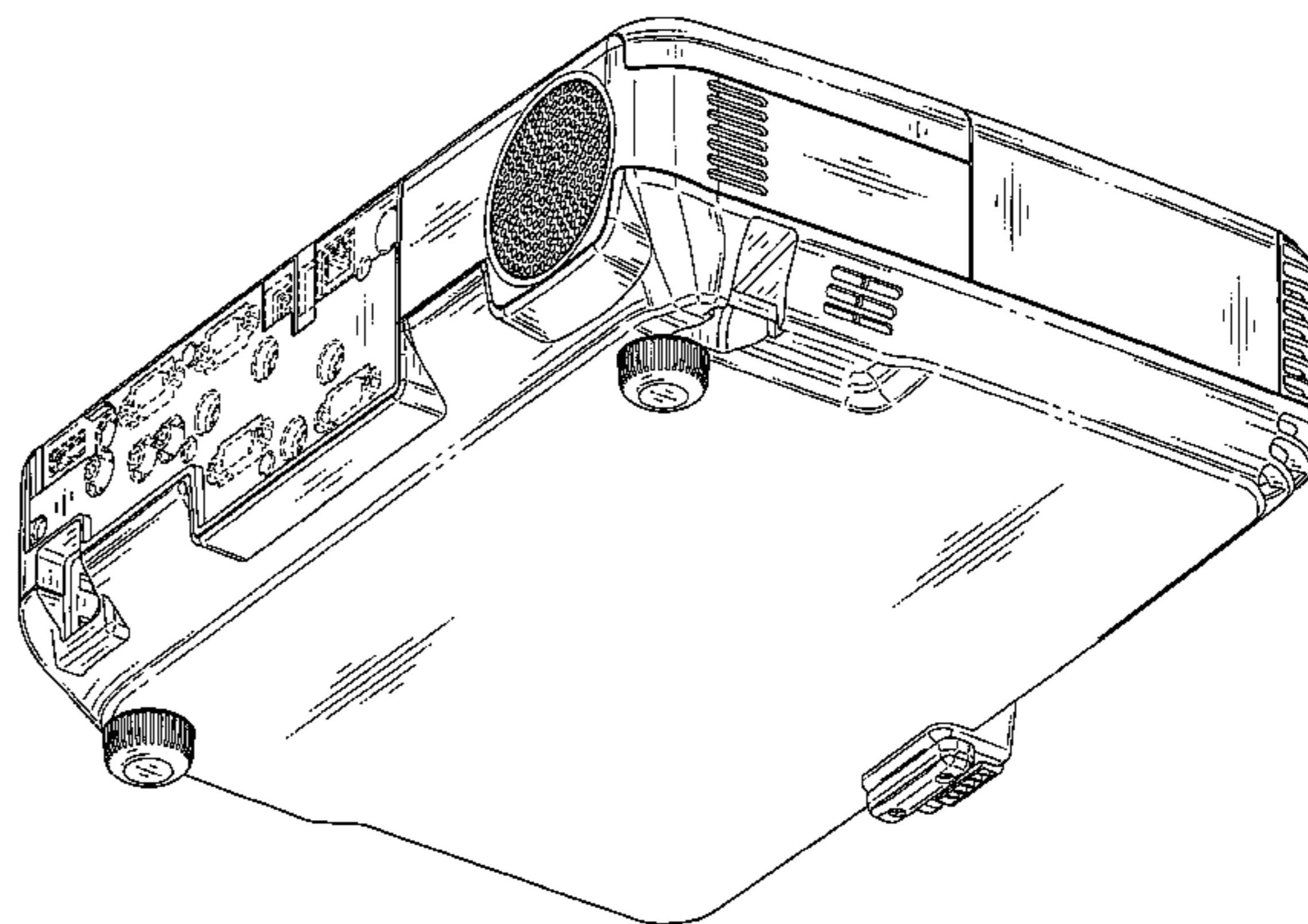
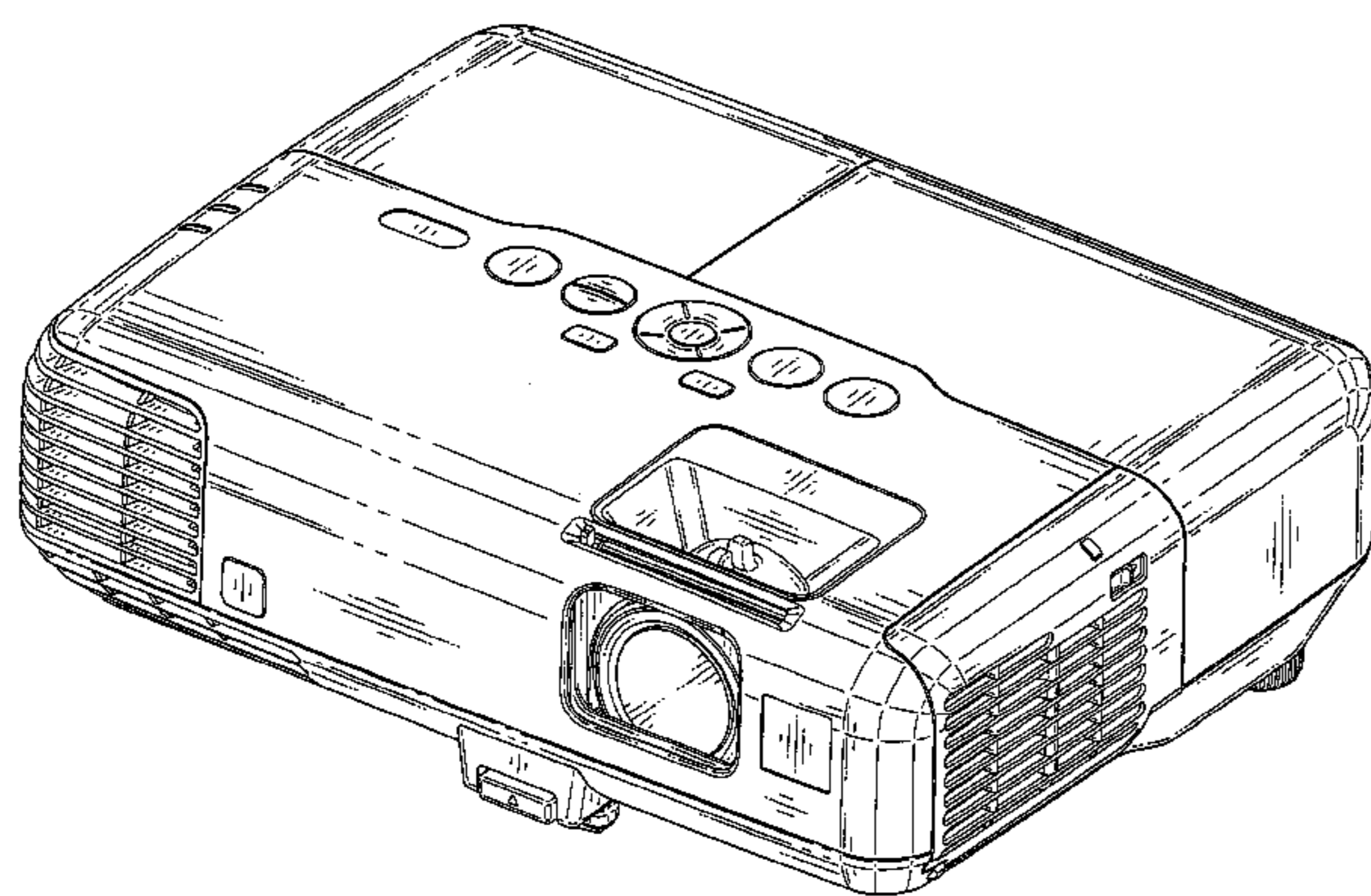
FIG. 6 is a right-side view thereof;

FIG. 7 is a top view thereof; and,

FIG. 8 is a bottom view thereof.

The broken lines depict environmental subject matter only and form no part of the claimed design.

1 Claim, 6 Drawing Sheets



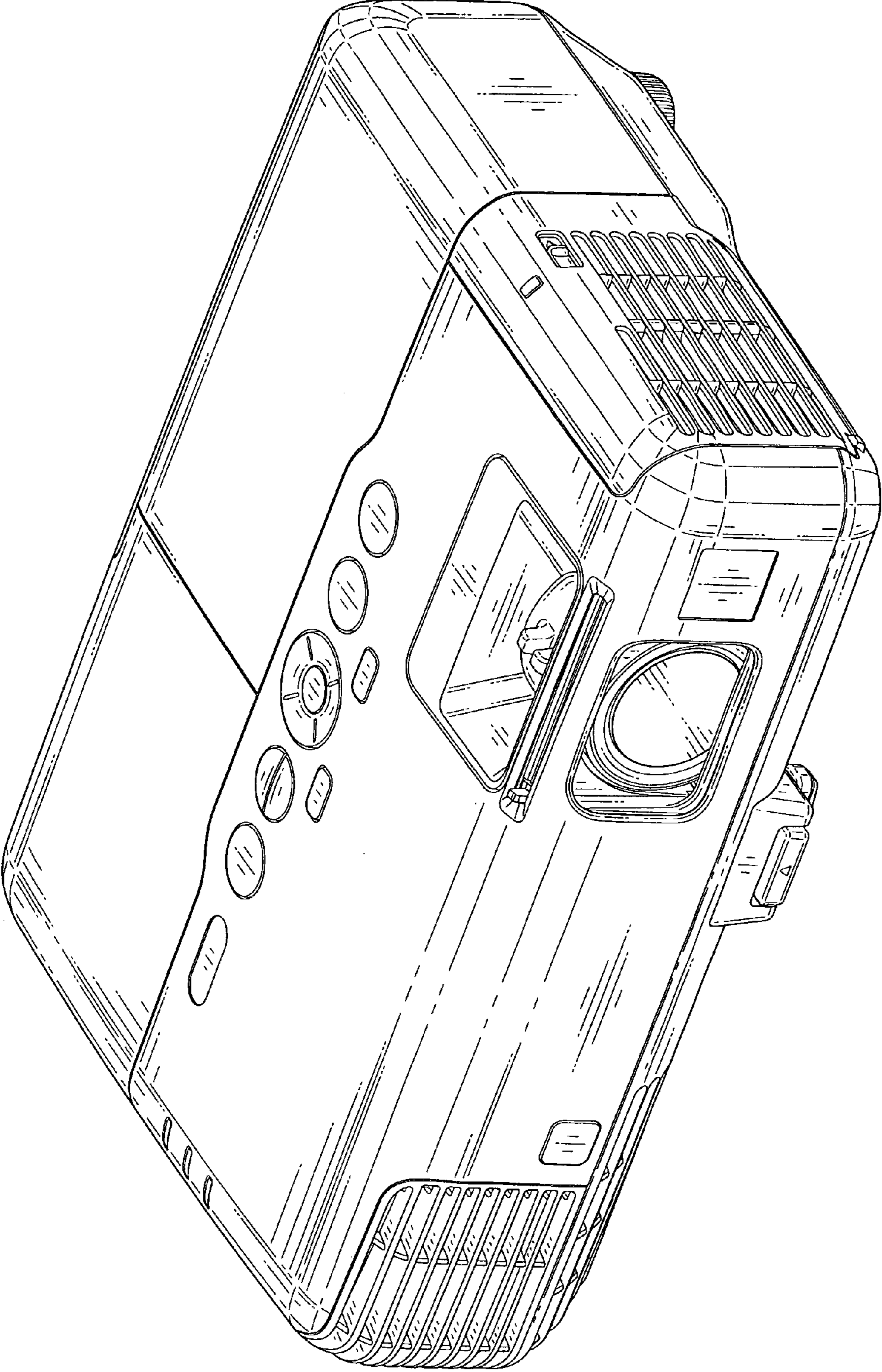


FIG. 1

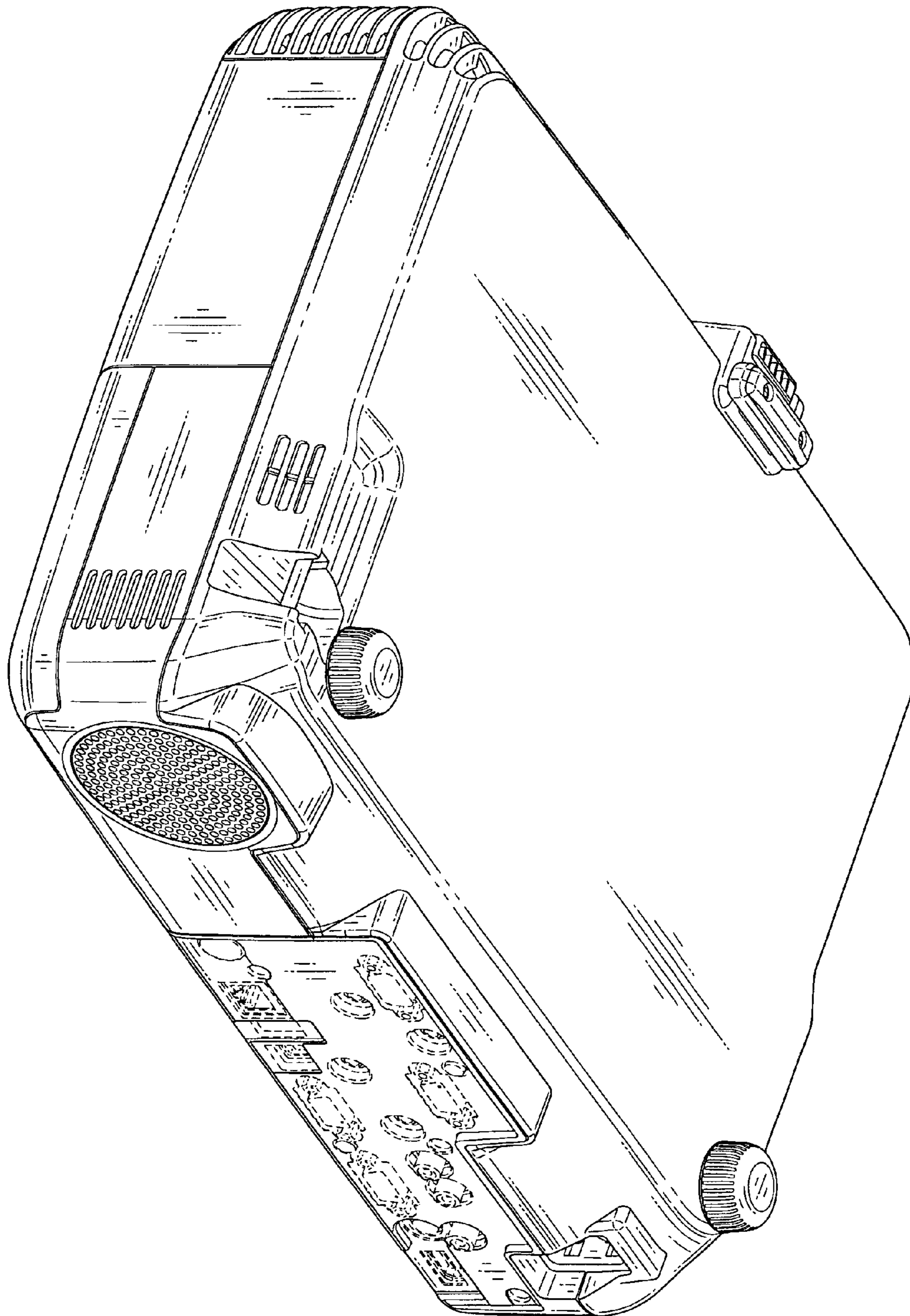


FIG. 2

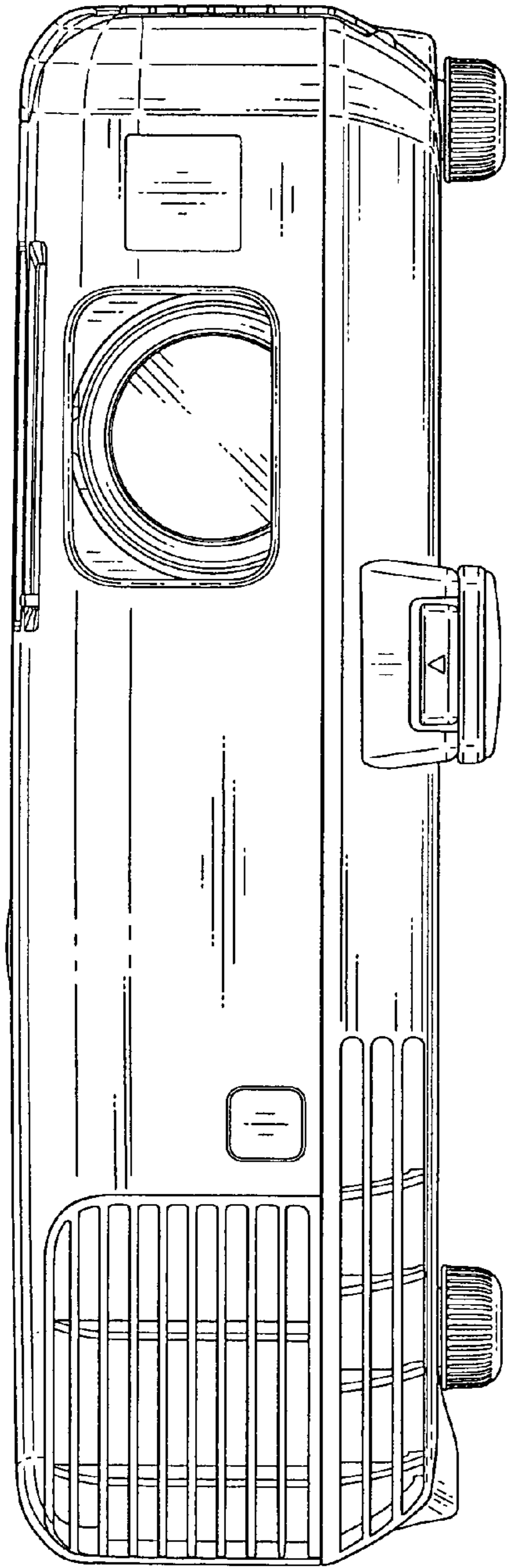


FIG. 3

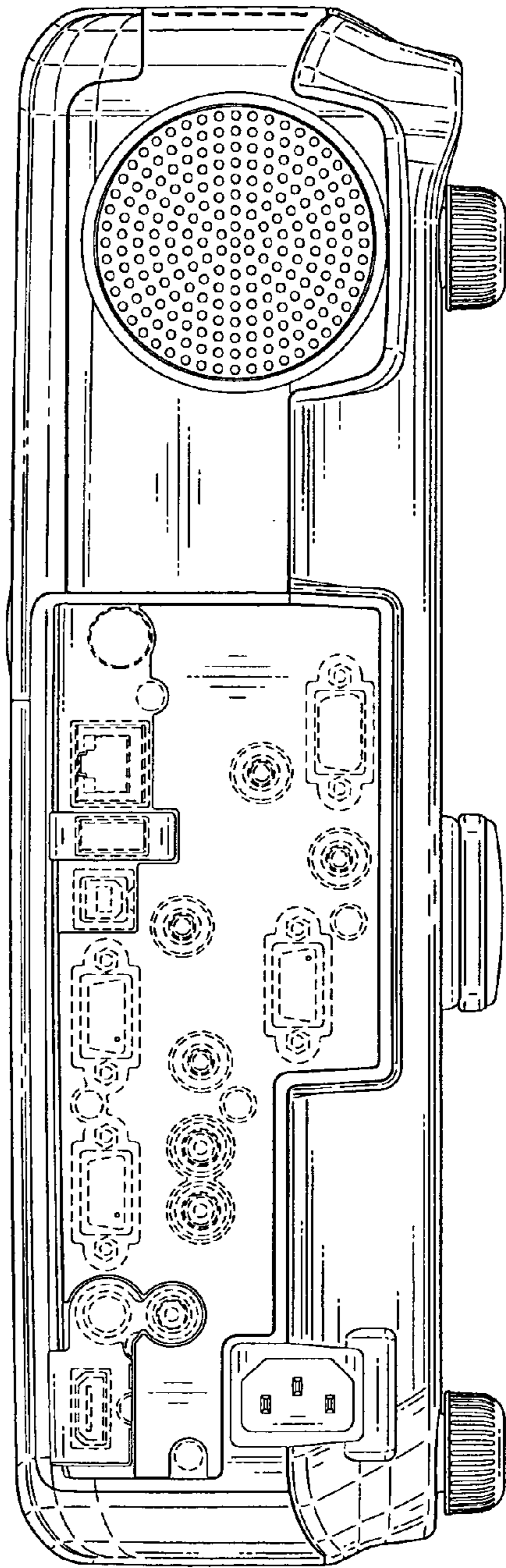


FIG. 4

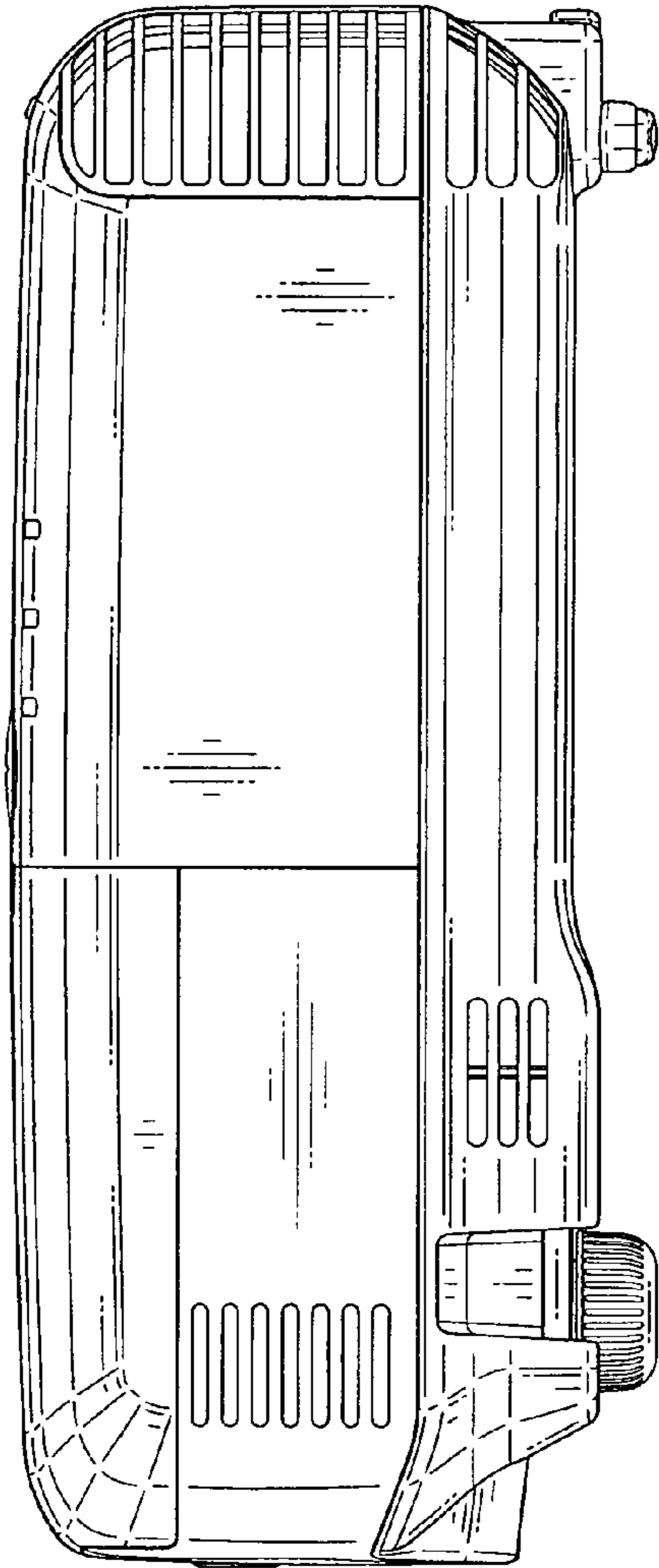


FIG. 5

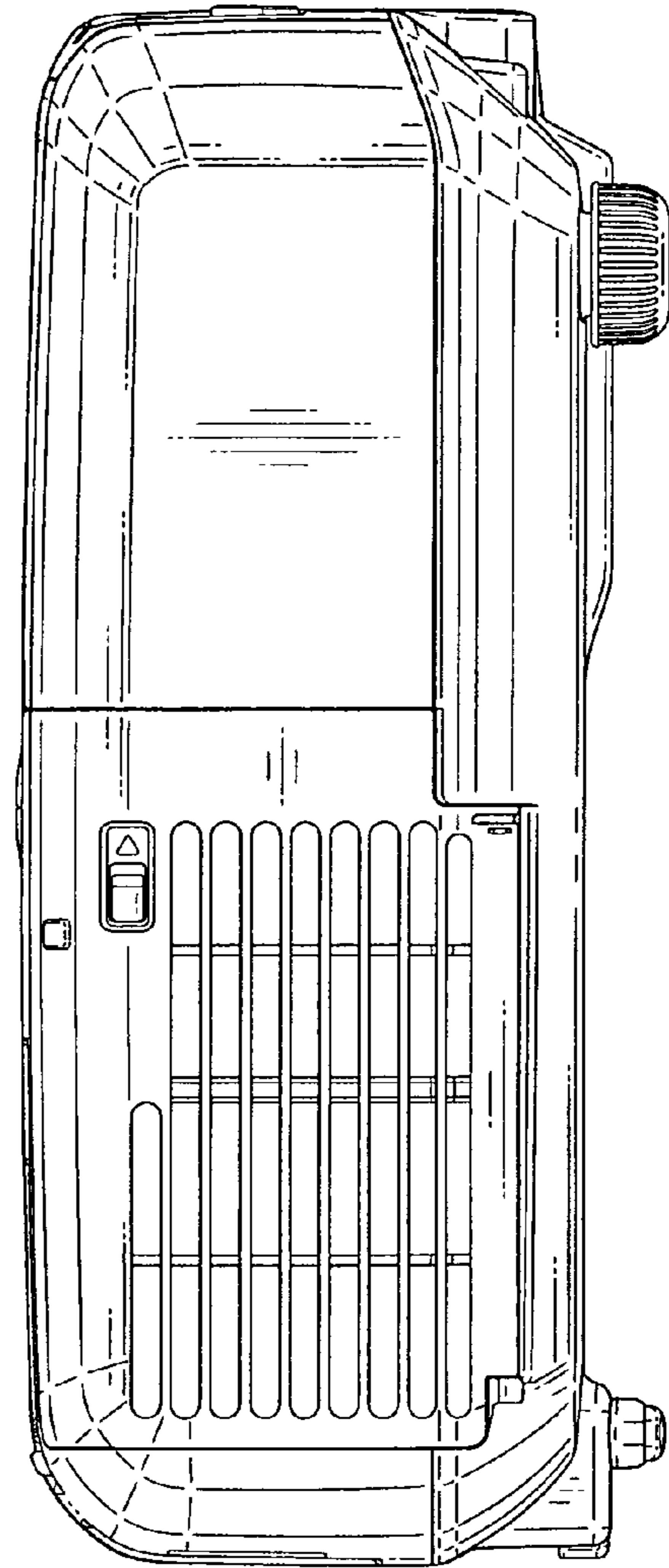


FIG. 6

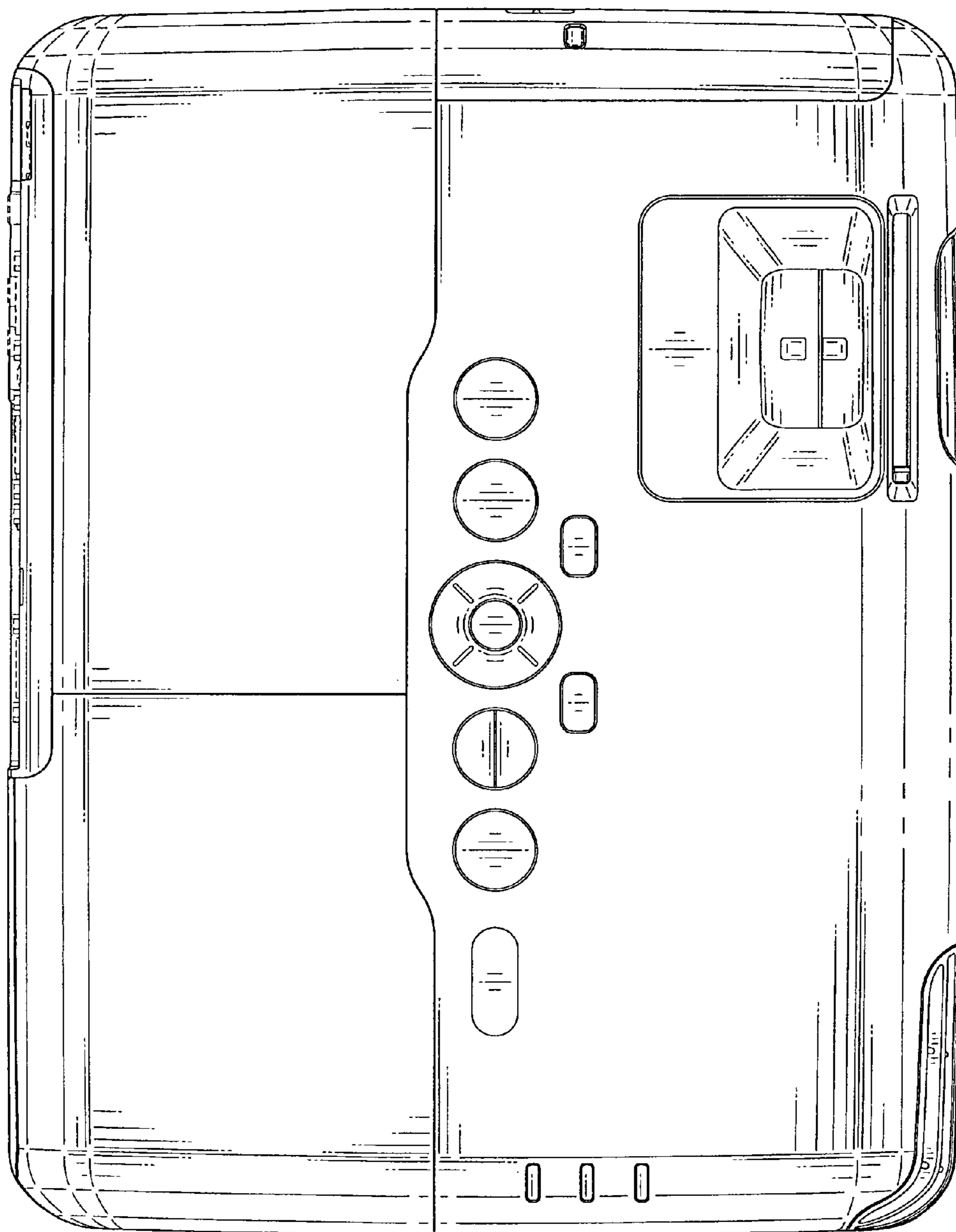


FIG. 7

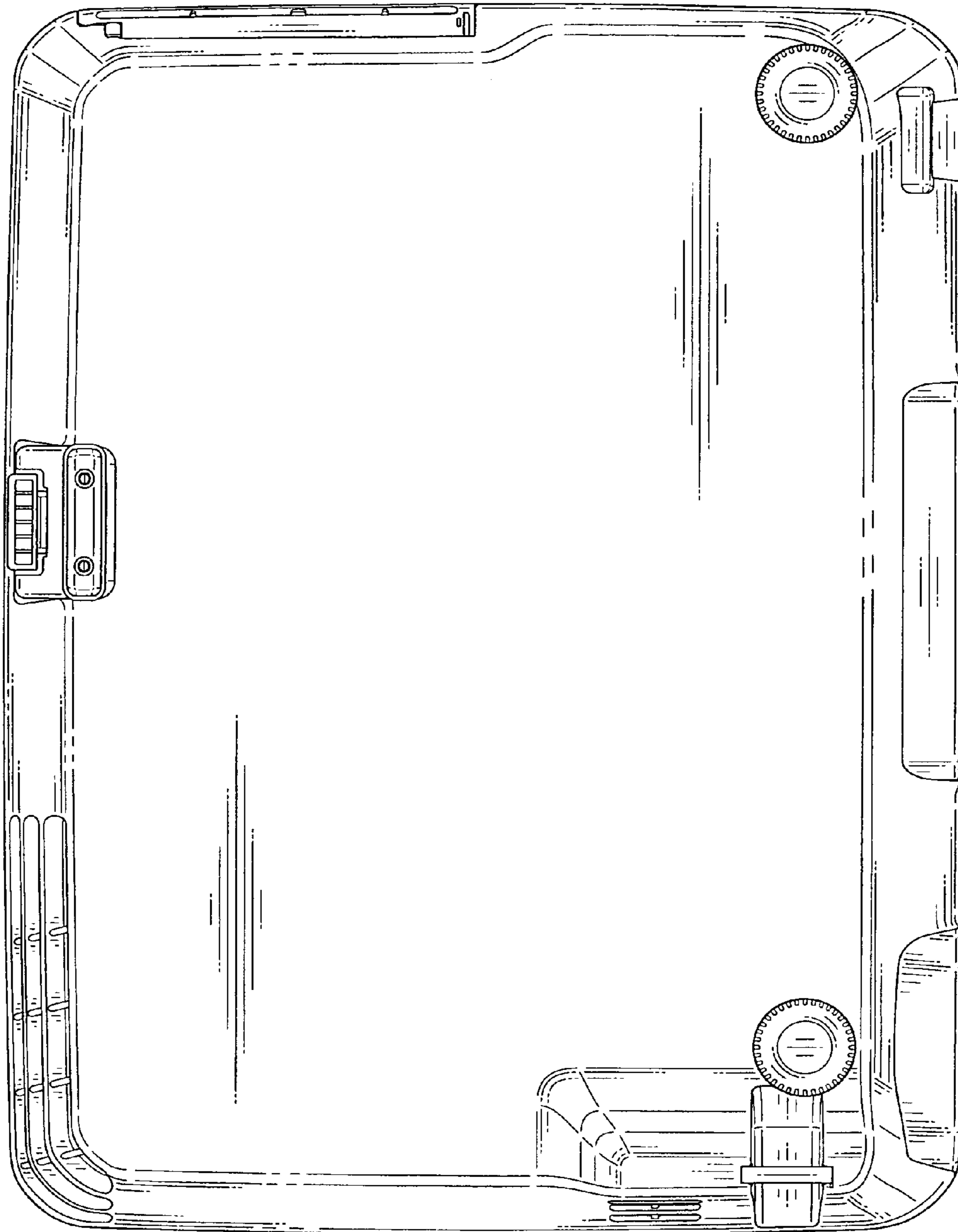


FIG. 8