



US00D647119S

(12) **United States Design Patent**
Piet et al.

(10) **Patent No.:** **US D647,119 S**

(45) **Date of Patent:** **** Oct. 18, 2011**

(54) **INFLATOR AND FLAT TIRE REPAIR MACHINE**

(75) Inventors: **Craig Piet**, Rochester Hills, MI (US);
Torben Pedersen, Rochester Hills, MI (US);
Ben Spencer, Rochester Hills, MI (US);
Krystal Kay Mikulin, Rochester Hills, MI (US);
Peter Boldsen, Risskov (DK);
Raymond Or, Dongguan (CN);
Jeffrey Li, Dongguan (CN)

(73) Assignee: **Active Tools International (HK) Ltd.**,
Hong Kong (HK)

(**) Term: **14 Years**

(21) Appl. No.: **29/339,438**

(22) Filed: **Jun. 30, 2009**

(51) **LOC (9) Cl.** **15-99**

(52) **U.S. Cl.** **D15/199**

(58) **Field of Classification Search** D8/105,
D8/499; D15/199; 141/38, 67, 100, 415
See application file for complete search history.

(56) **References Cited**

U.S. PATENT DOCUMENTS

4,284,451	A *	8/1981	Conley	156/97
6,283,172	B1 *	9/2001	Thurner	141/38
D509,838	S *	9/2005	Wong	D15/199
D534,447	S	1/2007	Marini	
D544,895	S *	6/2007	Izumoto et al.	D15/199
D557,299	S	12/2007	Marini et al.	
D574,866	S *	8/2008	Yoshida	D15/199
D597,574	S *	8/2009	Rittweger	D15/199
D611,076	S *	3/2010	Yoshida	D15/199

D613,320	S *	4/2010	Marini	D15/199
2004/0221439	A1 *	11/2004	Villarreal	29/407.08
2008/0029181	A1 *	2/2008	Marini	141/38
2010/0154925	A1 *	6/2010	Steele et al.	141/38

FOREIGN PATENT DOCUMENTS

EM	000497177-0001	5/2006
EM	000535034-0001	7/2006
EM	000785068-0001	10/2007
EM	000832647-0001	1/2008
EM	000961719-0001	7/2008
EM	00970710-0002	8/2008
EM	000998869-0001	12/2008
EM	000178983-0001	8/2009

* cited by examiner

Primary Examiner — Patricia Palasik

(74) *Attorney, Agent, or Firm* — Dobrusin & Thennisch PC

(57) **CLAIM**

The ornamental design for an inflator and flat tire repair machine, as shown and described.

DESCRIPTION

The patent or application file contains a least one drawing executed in color. Copies of this patent or patent application publication with color drawing(s) will be provided by the Office upon request and payment of the necessary fee.

FIG. 1 is a perspective view of a inflator and flat tire repair machine showing my new design;

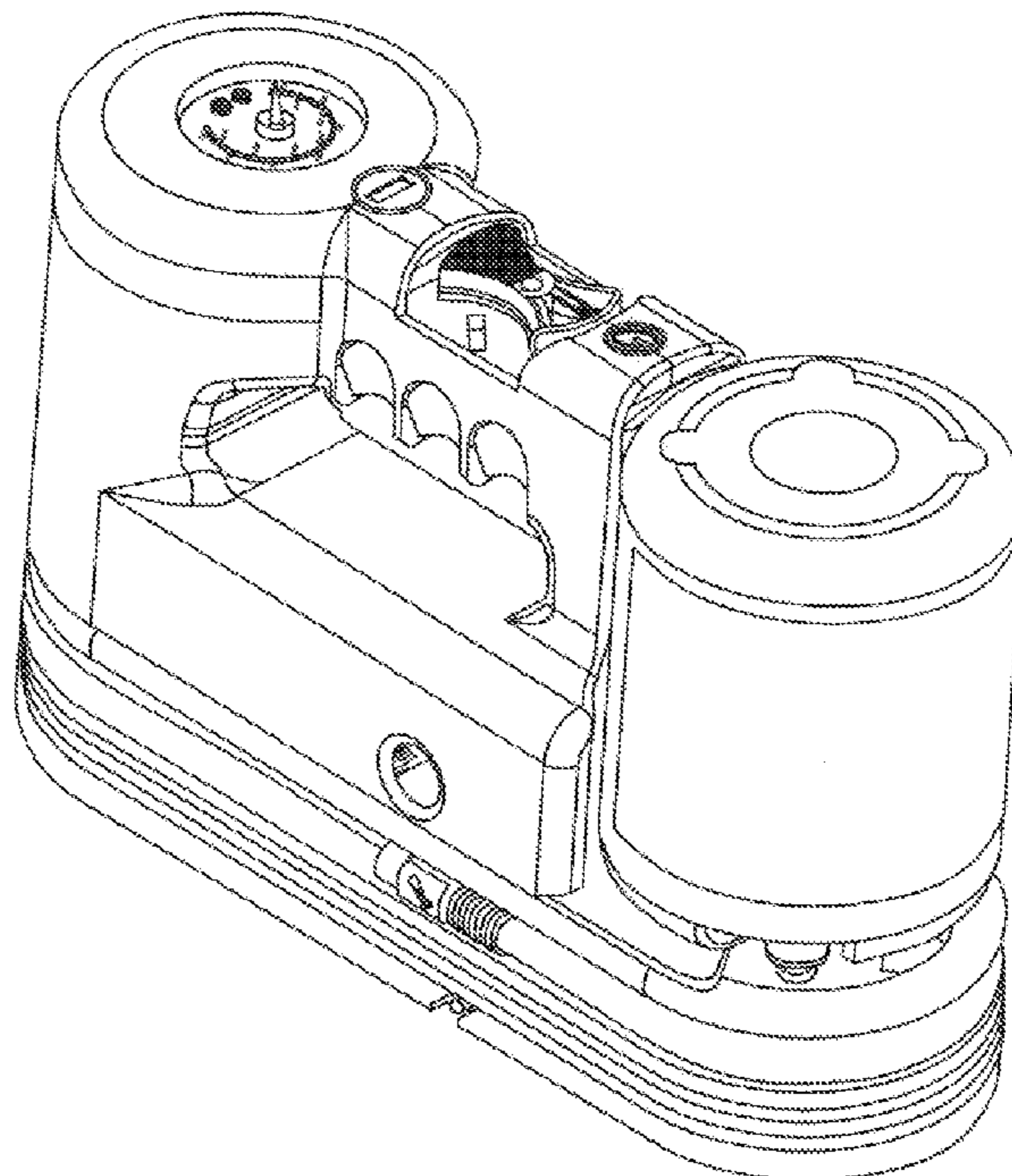
FIG. 2 is a right side elevation view thereof;

FIG. 3 is a left side elevation view thereof; and,

FIG. 4 is a top plan view thereof;

Bottom view portions of the machine and any other portions not shown form no part of the claimed design.

1 Claim, 4 Drawing Sheets



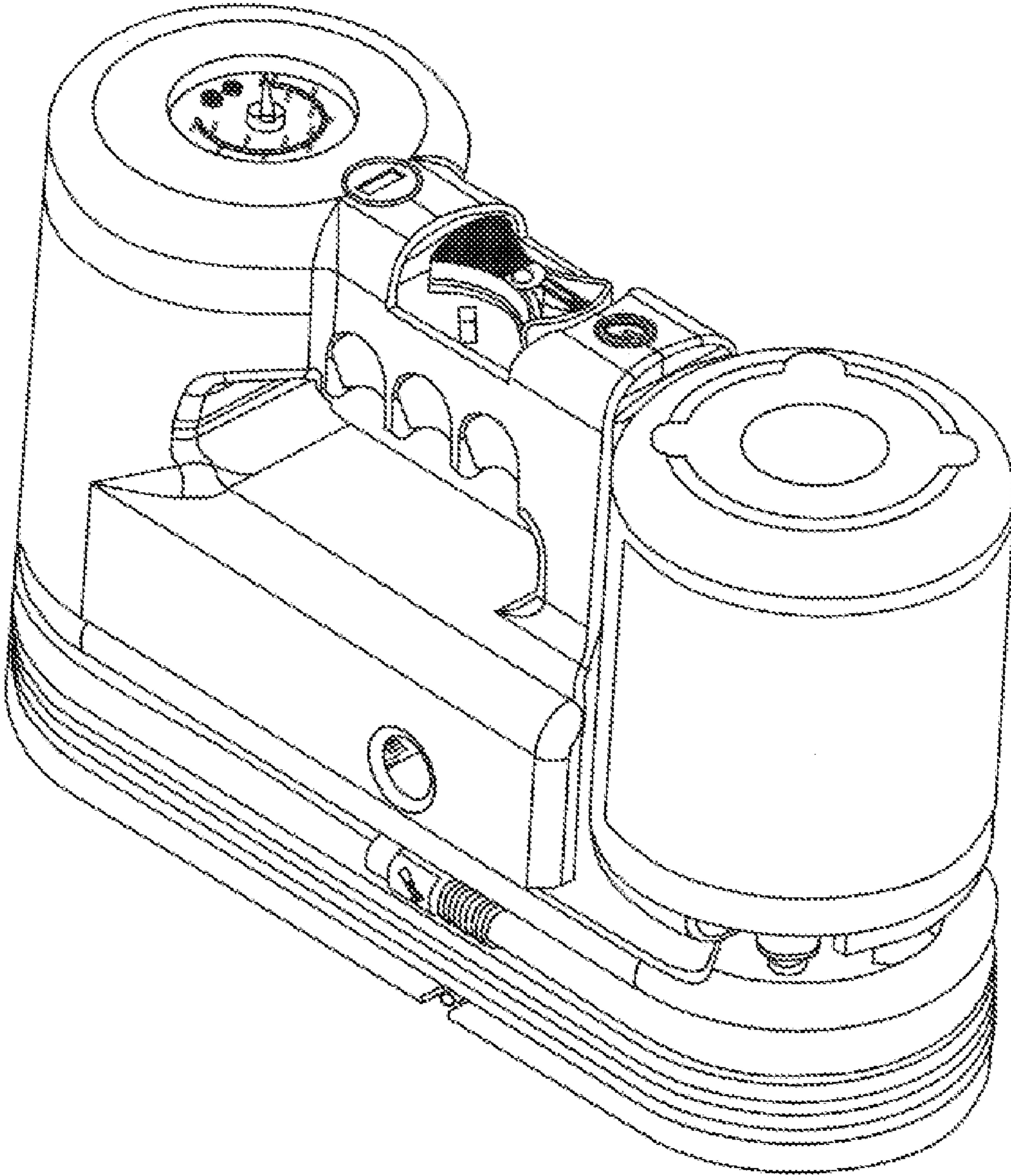


Fig. 1

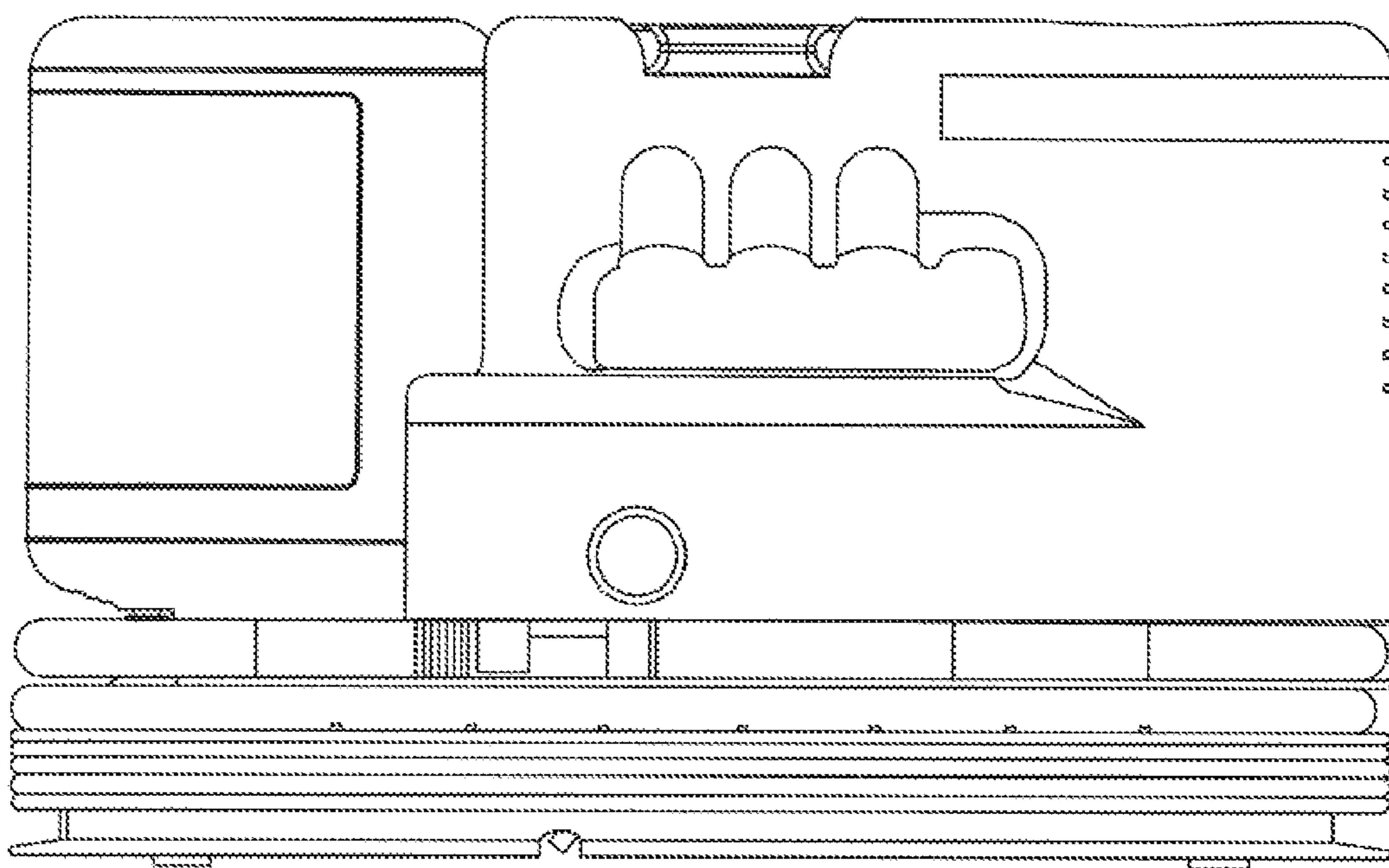


Fig. 2

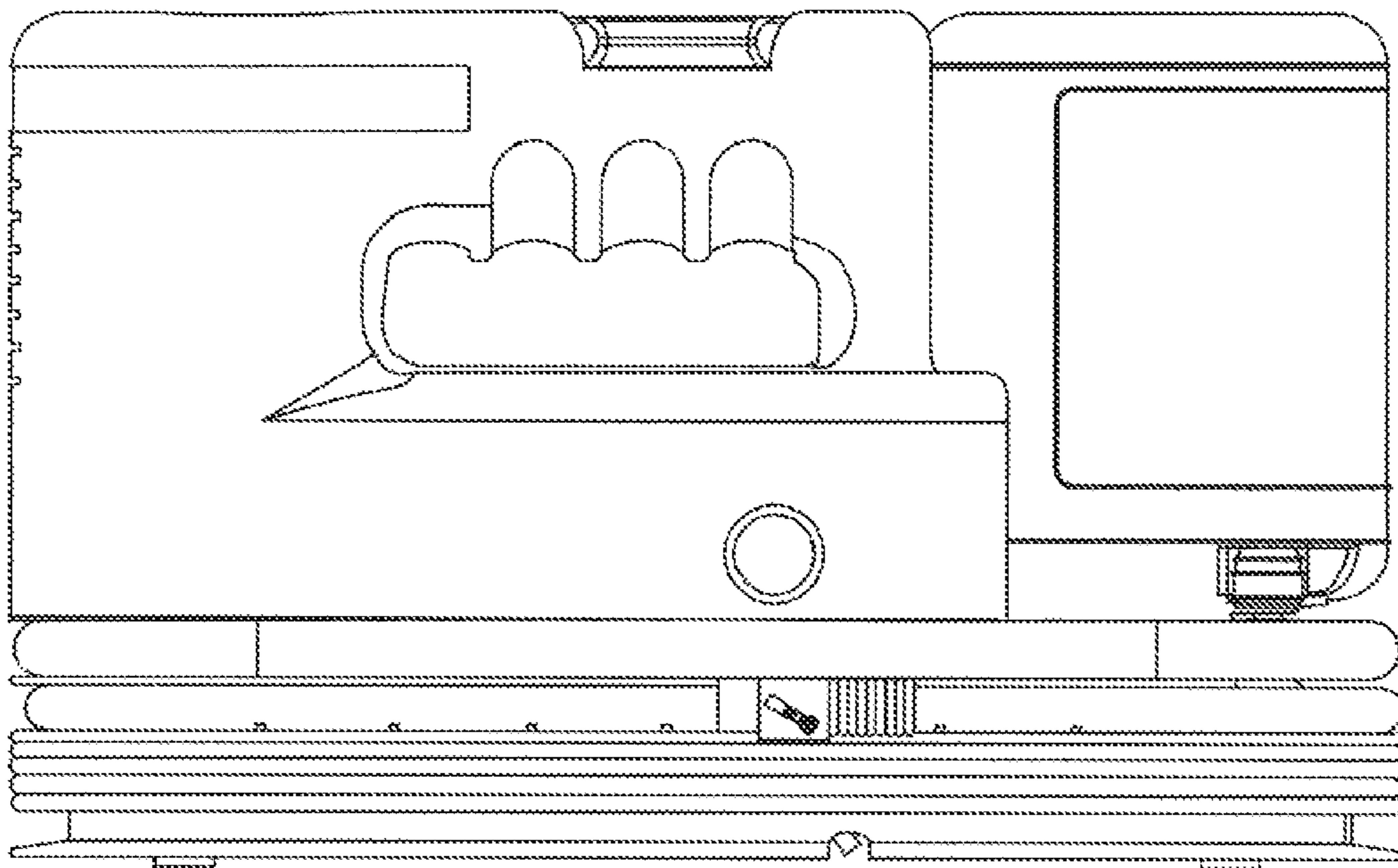


Fig. 3

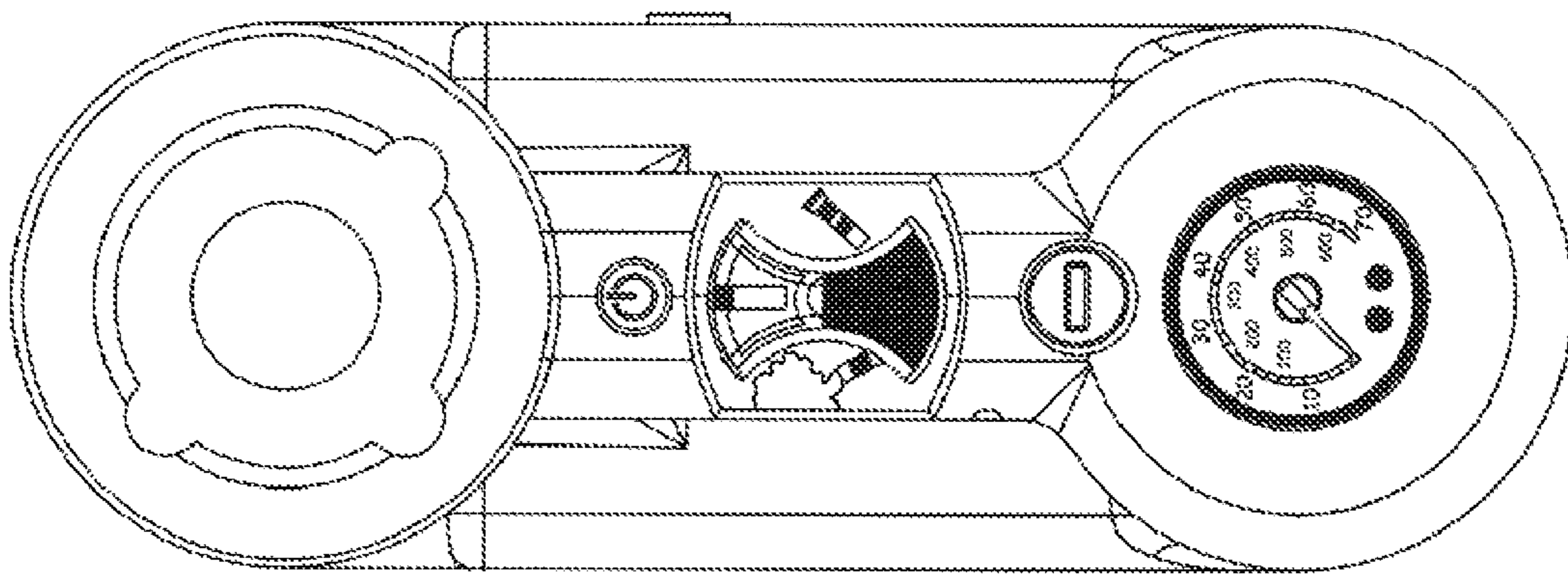


Fig. 4