



US00D647118S

(12) **United States Design Patent**
Parker et al.

(10) **Patent No.:** **US D647,118 S**

(45) **Date of Patent:** **** Oct. 18, 2011**

(54) **DRIVE WHEEL**

(75) Inventors: **Brian Parker**, Eastwood (AU); **Andrew Stevens**, Hilton (AU)

(73) Assignee: **Glidestore Freetrack Pty Ltd**, Eastwood, South Australia (AU)

(**) Term: **14 Years**

(21) Appl. No.: **29/388,301**

(22) Filed: **Mar. 28, 2011**

(30) **Foreign Application Priority Data**

Sep. 28, 2010 (AU) 14156/2010

(51) **LOC (9) Cl.** **15-09**

(52) **U.S. Cl.** **D15/148**

(58) **Field of Classification Search** D15/143,
D15/148, 149; 81/60, 63, 63.2; 123/90.17;
144/208.1, 208.5; 305/57, 130, 195; 474/94,
474/152, 331

See application file for complete search history.

(56) **References Cited**

U.S. PATENT DOCUMENTS

1,431,362	A *	10/1922	Bolinski	301/46
1,494,383	A *	5/1924	Shimonek	301/46
2,836,982	A *	6/1958	Voss et al.	476/72
4,690,656	A *	9/1987	Friedman et al.	446/95
5,161,867	A *	11/1992	Johnson	305/199
5,190,363	A *	3/1993	Brittain et al.	305/199

D364,657	S *	11/1995	Schmidt et al.	D21/488
6,062,661	A *	5/2000	Juncker et al.	305/130
6,085,708	A *	7/2000	Trzmiel et al.	123/90.17
D461,481	S *	8/2002	Carlson	D15/5
6,679,208	B2 *	1/2004	Stephan et al.	123/90.17
6,798,098	B1 *	9/2004	Tai	310/67 R
D498,778	S *	11/2004	Hu	D15/148
6,976,515	B2 *	12/2005	Duval	144/208.5
D544,894	S *	6/2007	Clarke	D15/148
D565,617	S *	4/2008	Chang et al.	D15/148
2002/0130552	A1 *	9/2002	Juncker et al.	305/195
2002/0177503	A1 *	11/2002	Beyerlein	475/331
2003/0127065	A1 *	7/2003	Stephan et al.	123/90.17
2003/0139240	A1 *	7/2003	Chen	474/152
2005/0162024	A1 *	7/2005	Lim et al.	310/51
2006/0131087	A1 *	6/2006	Bonnaud et al.	180/89.1
2008/0307782	A1 *	12/2008	Dong et al.	60/325
2008/0312014	A1 *	12/2008	Stief et al.	474/94
2011/0044819	A1 *	2/2011	Licznerski	416/223 R

* cited by examiner

Primary Examiner — Patricia Palasik

(74) *Attorney, Agent, or Firm* — Sand & Sebolt

(57) **CLAIM**

The ornamental design for a drive wheel, as shown and described.

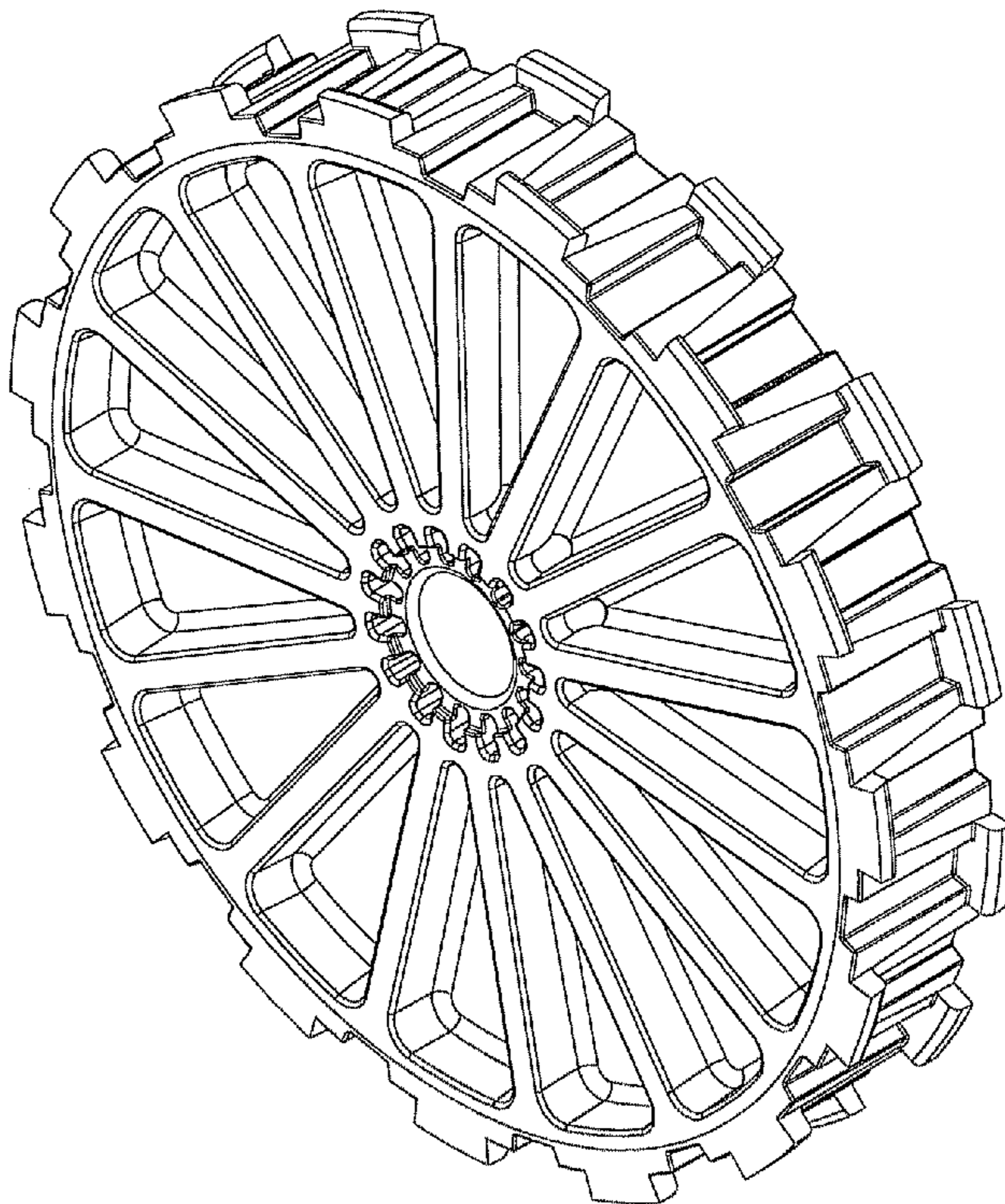
DESCRIPTION

FIG. 1 is a perspective view of the drive wheel in accordance with the present design;

FIG. 2 is a front view thereof. The rear view of the drive wheel is the same as the front view; and,

FIG. 3 is a side view of the drive wheel.

1 Claim, 3 Drawing Sheets



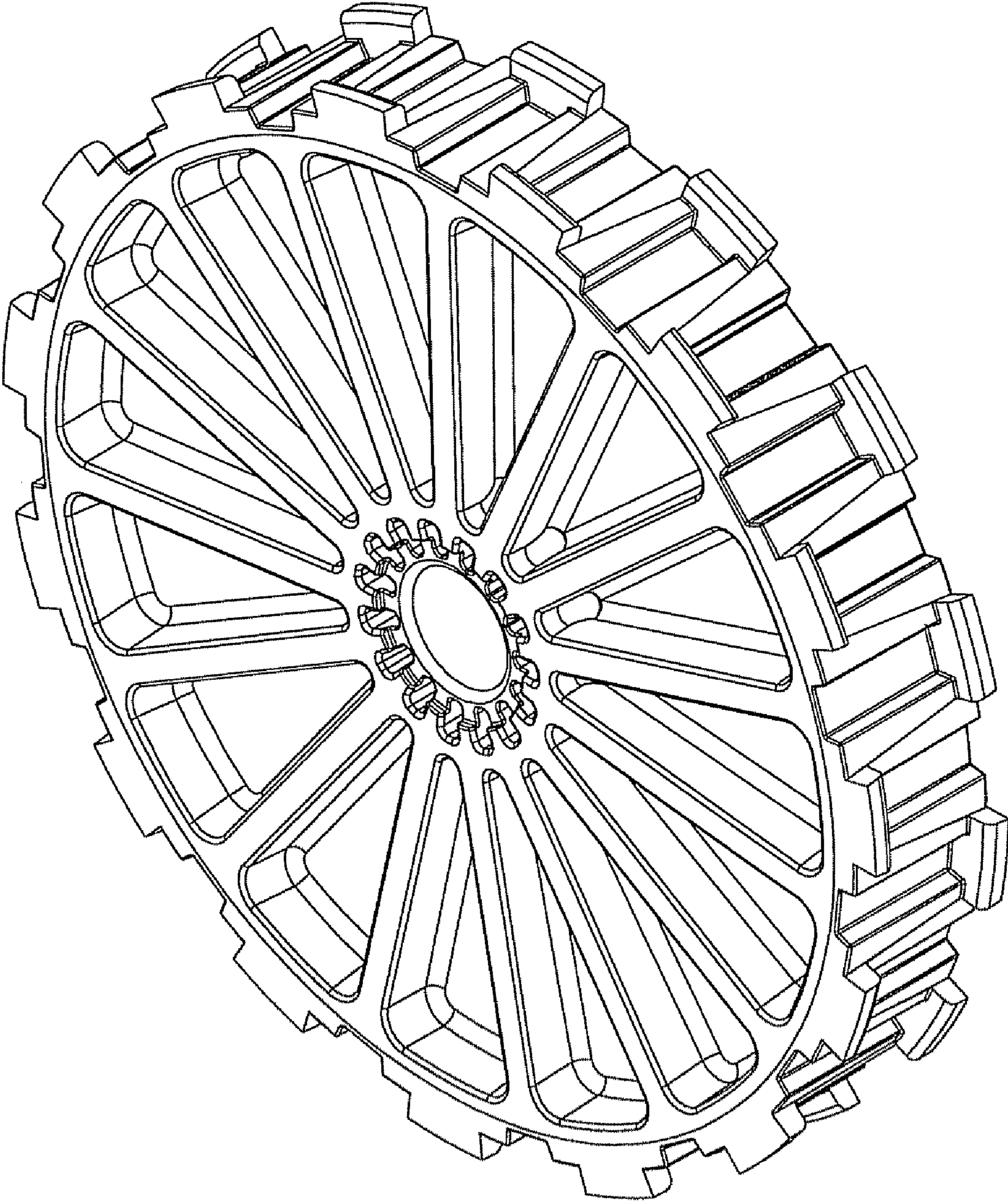


Fig. 1

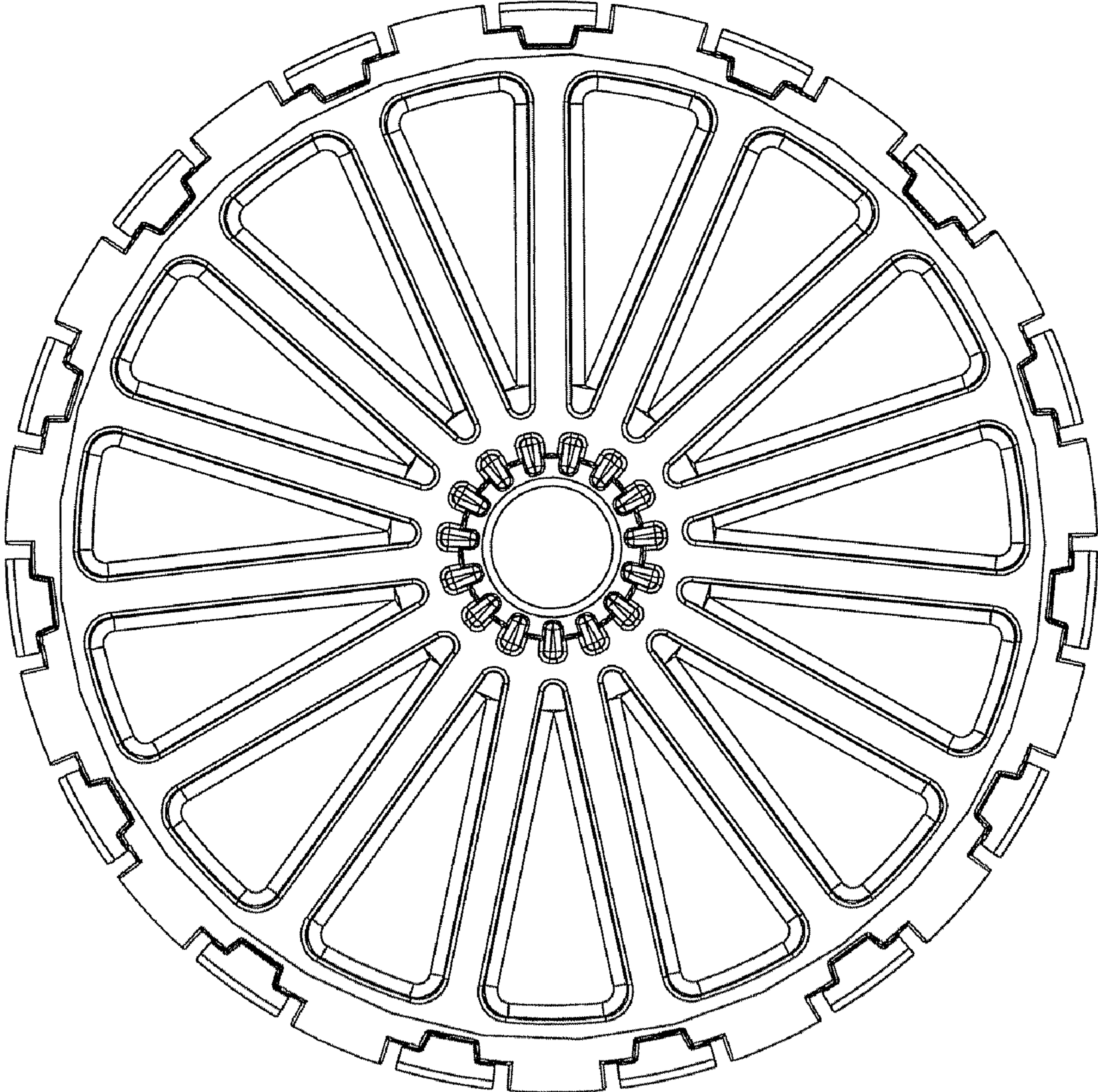


Fig. 2

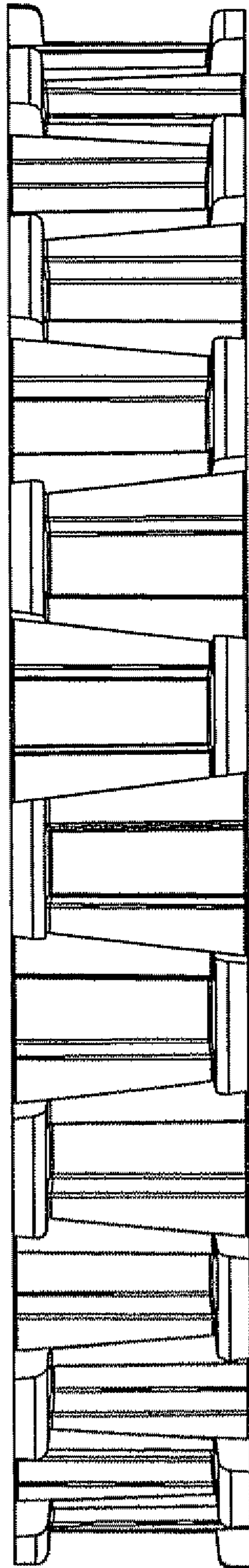


Fig. 3