



US00D647112S

(12) **United States Design Patent**  
**Okamoto et al.**

(10) **Patent No.:** **US D647,112 S**

(45) **Date of Patent:** **\*\* Oct. 18, 2011**

(54) **FREEZER**

*Primary Examiner* — Mitchell Siegel

(74) *Attorney, Agent, or Firm* — Rabin & Berdo, PC

(75) Inventors: **Yasutoshi Okamoto**, Osaka (JP);  
**Akihiro Mochizuki**, Osaka (JP)

(73) Assignee: **Sanyo Electric Co., Ltd.**, Osaka (JP)

(57) **CLAIM**

The ornamental design for a freezer, as shown and described.

(\*\*) Term: **14 Years**

(21) Appl. No.: **29/311,613**

**DESCRIPTION**

(22) Filed: **Apr. 30, 2009**

(30) **Foreign Application Priority Data**

Nov. 20, 2008 (JP) ..... 2008-029838

(51) **LOC (9) Cl.** ..... **15-07**

(52) **U.S. Cl.** ..... **D15/81**

(58) **Field of Classification Search** ..... D15/79-82,  
D15/85-88; 62/3.1, 3.63, 3.64, 389, 391,  
62/440, 246, 248, 251, 275, 441, 449; 312/401,  
312/402, 404, 405, 405.1, 408, 119, 138.1

See application file for complete search history.

FIG. 1 is a perspective view of a freezer showing our new design;

FIG. 2 is a front elevation view thereof;

FIG. 3 is a rear elevation view thereof;

FIG. 4 is a top plan view thereof;

FIG. 5 is a bottom plan view thereof;

FIG. 6 is a right side view thereof;

FIG. 7 is a left side view thereof;

FIG. 8 is a perspective view showing the doors in an open position;

FIG. 9 is a cross-sectional view taken on line 9-9 of FIG. 2;

FIG. 10 is a cross-sectional view taken on line 10-10 of FIG. 2;

FIG. 11 is an enlarged cross-sectional view taken on line 11-11 of FIG. 9;

FIG. 12 is an enlarged cross-sectional view taken within lines 12A-12A and 12B-12B of FIG. 10; and,

FIG. 13 is an enlarged elevational view taken within the lines 13-13 of FIG. 2.

(56) **References Cited**

U.S. PATENT DOCUMENTS

D440,987 S \* 4/2001 Okamoto et al. .... D15/81

D496,372 S \* 9/2004 Sato et al. .... D15/81

D501,488 S \* 2/2005 Sato et al. .... D15/81

D532,799 S \* 11/2006 Sato et al. .... D15/81

\* cited by examiner

**1 Claim, 11 Drawing Sheets**

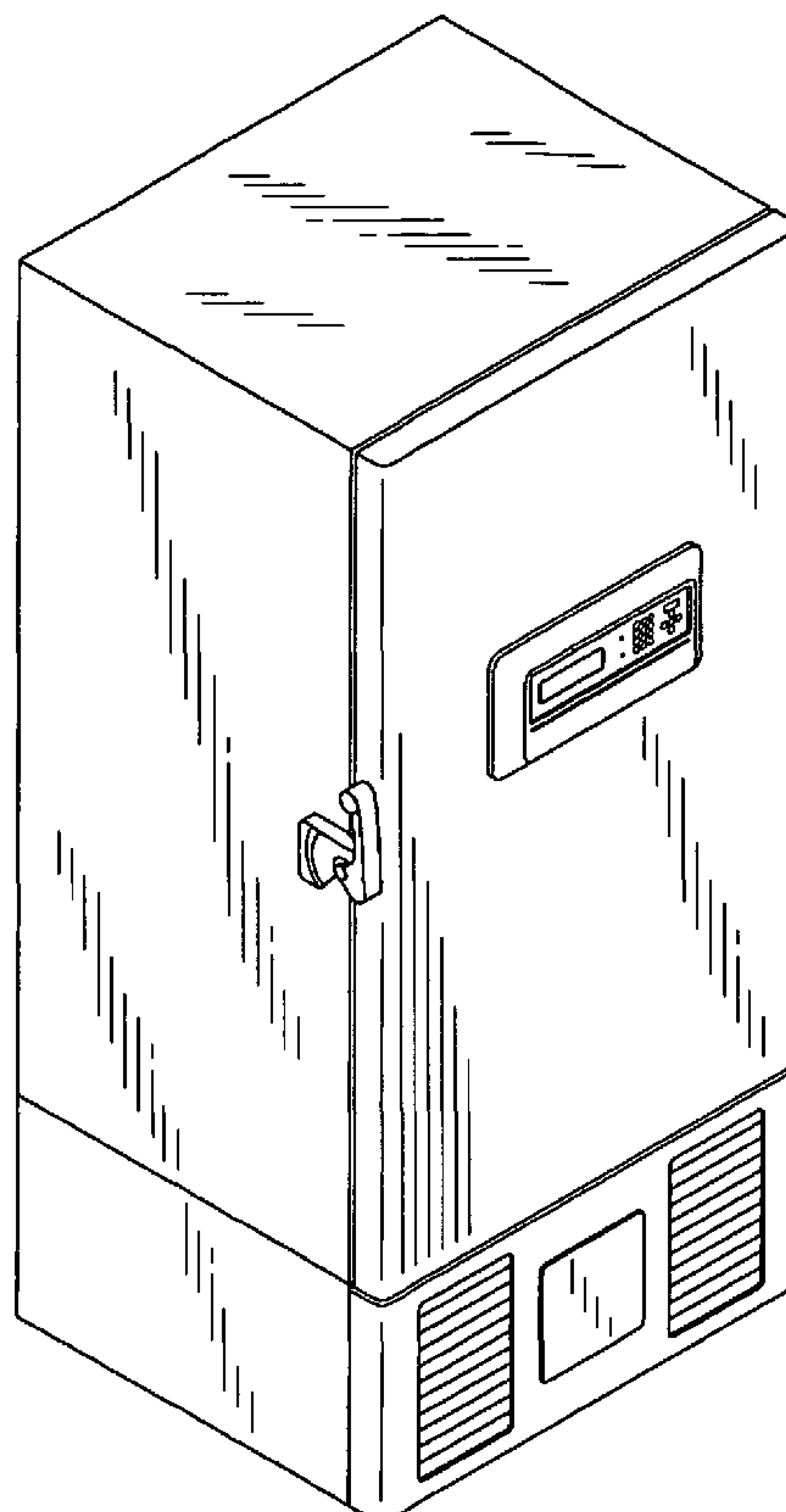


FIG. 1

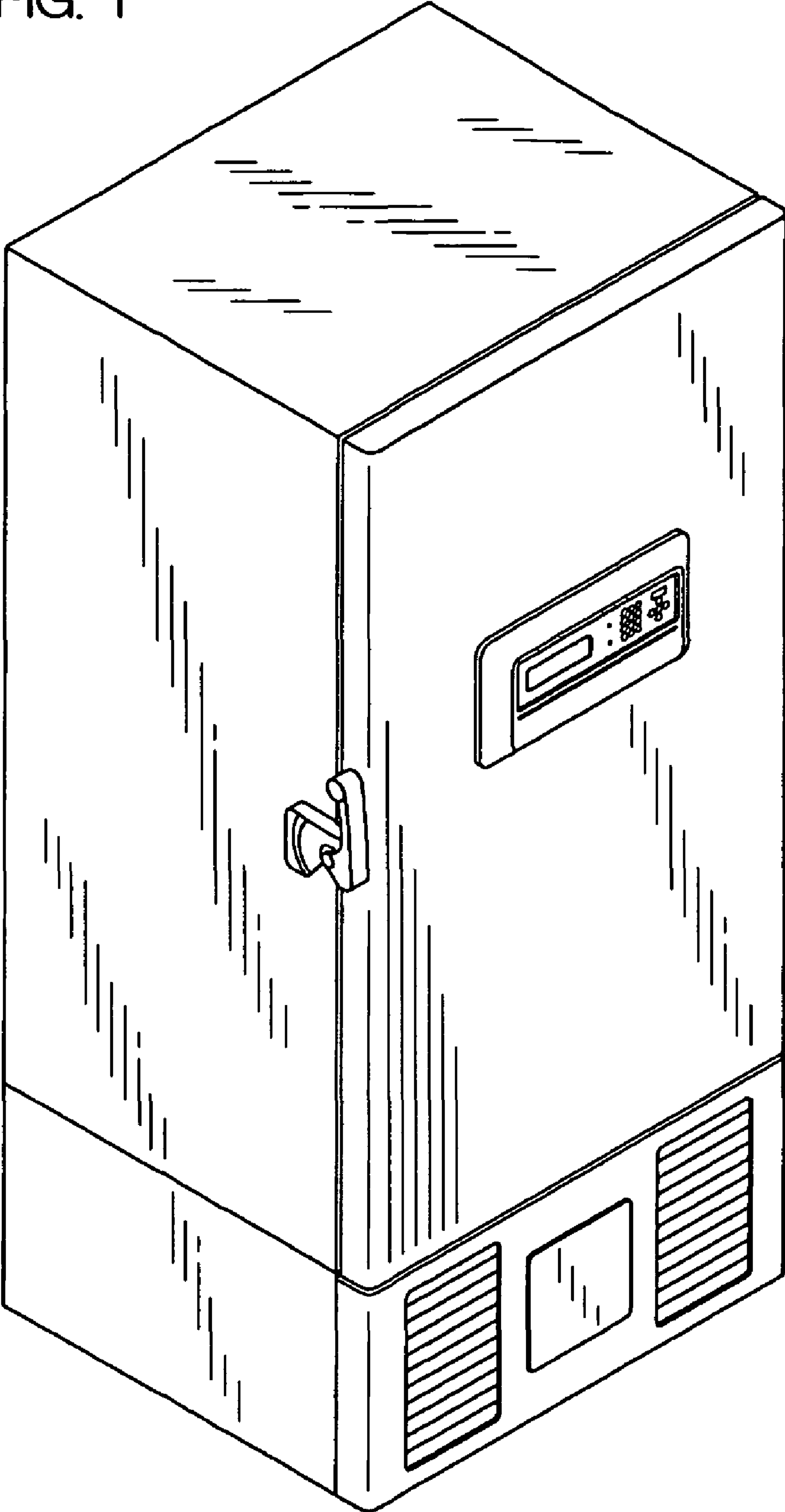


FIG. 2

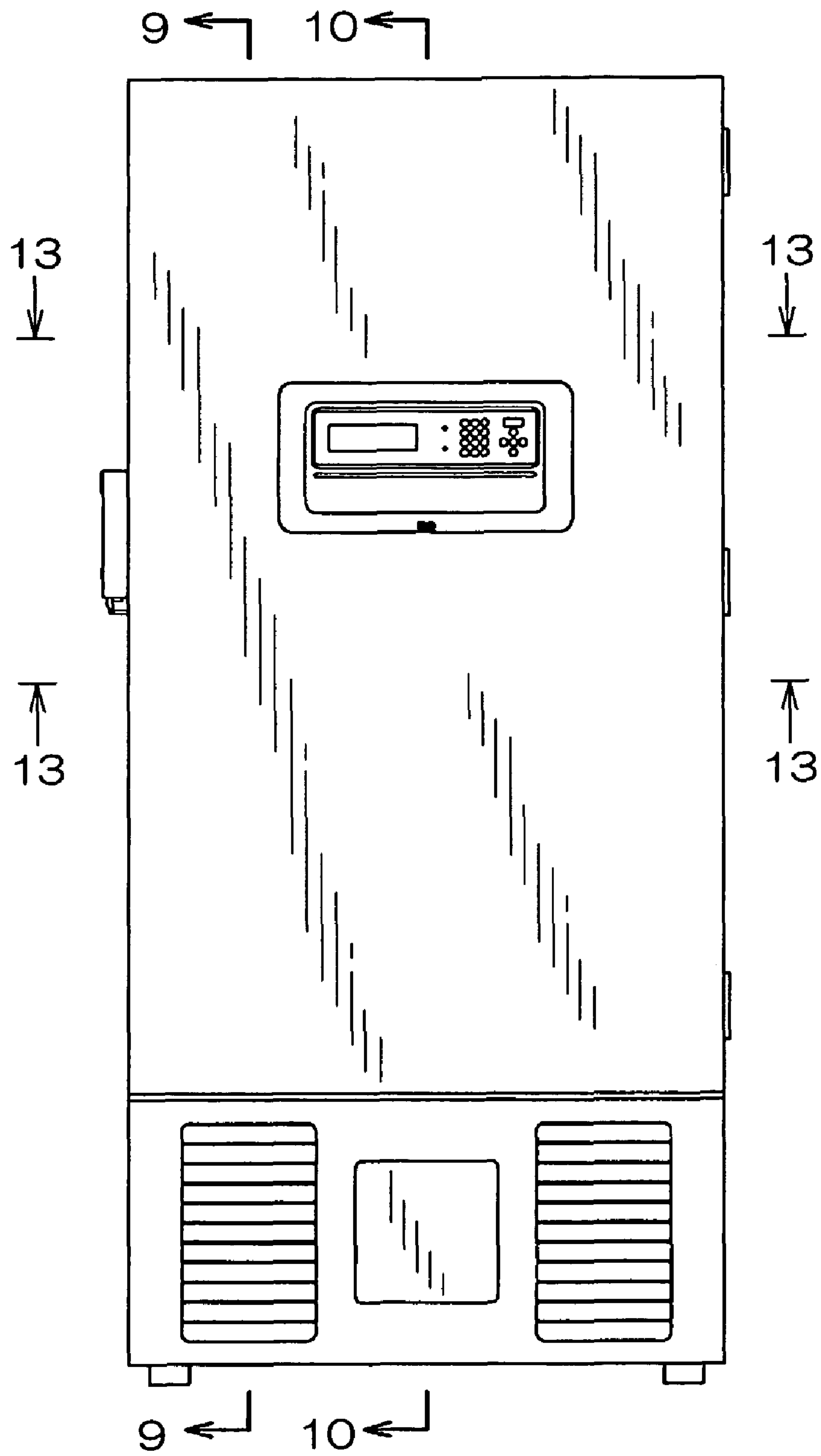


FIG. 3

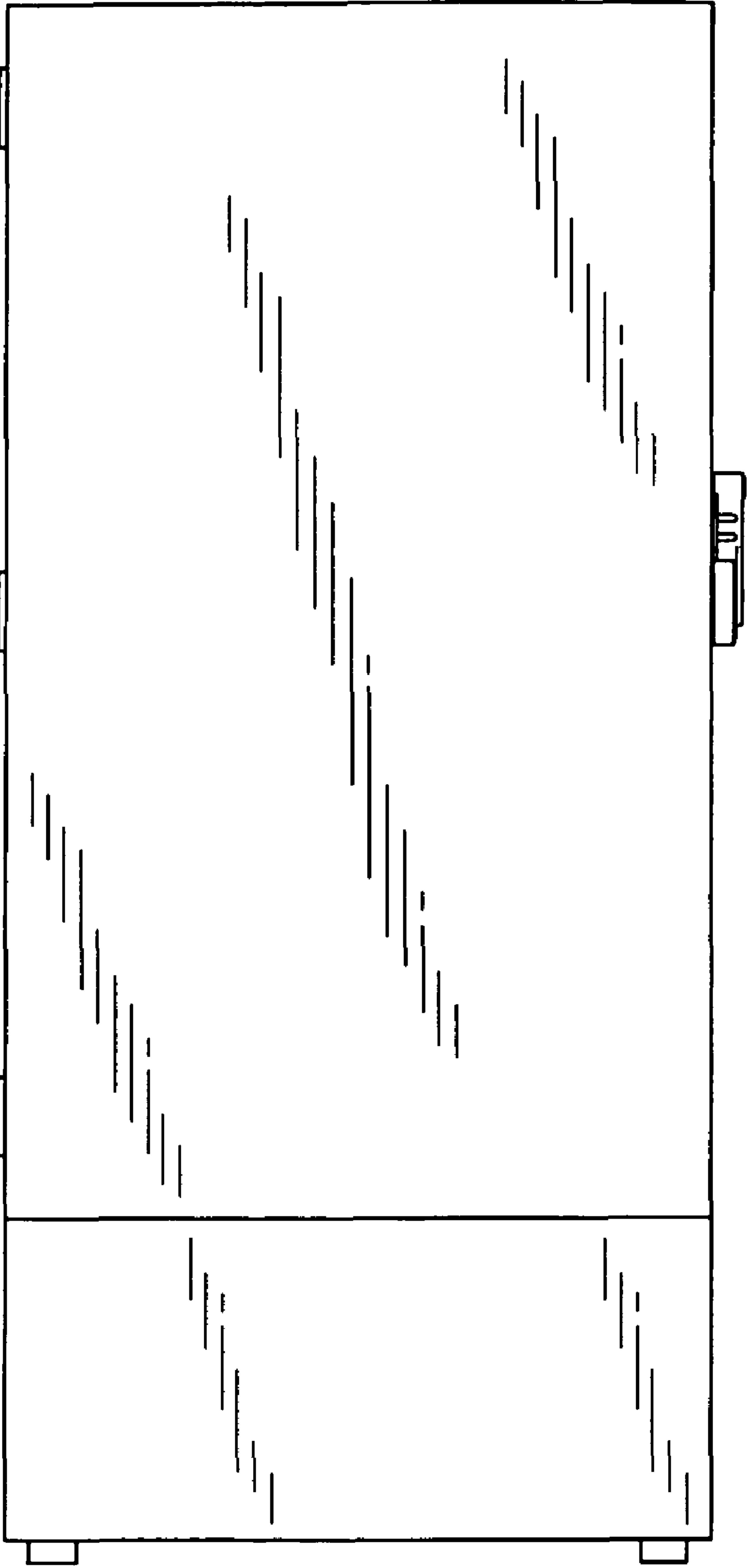


FIG. 4

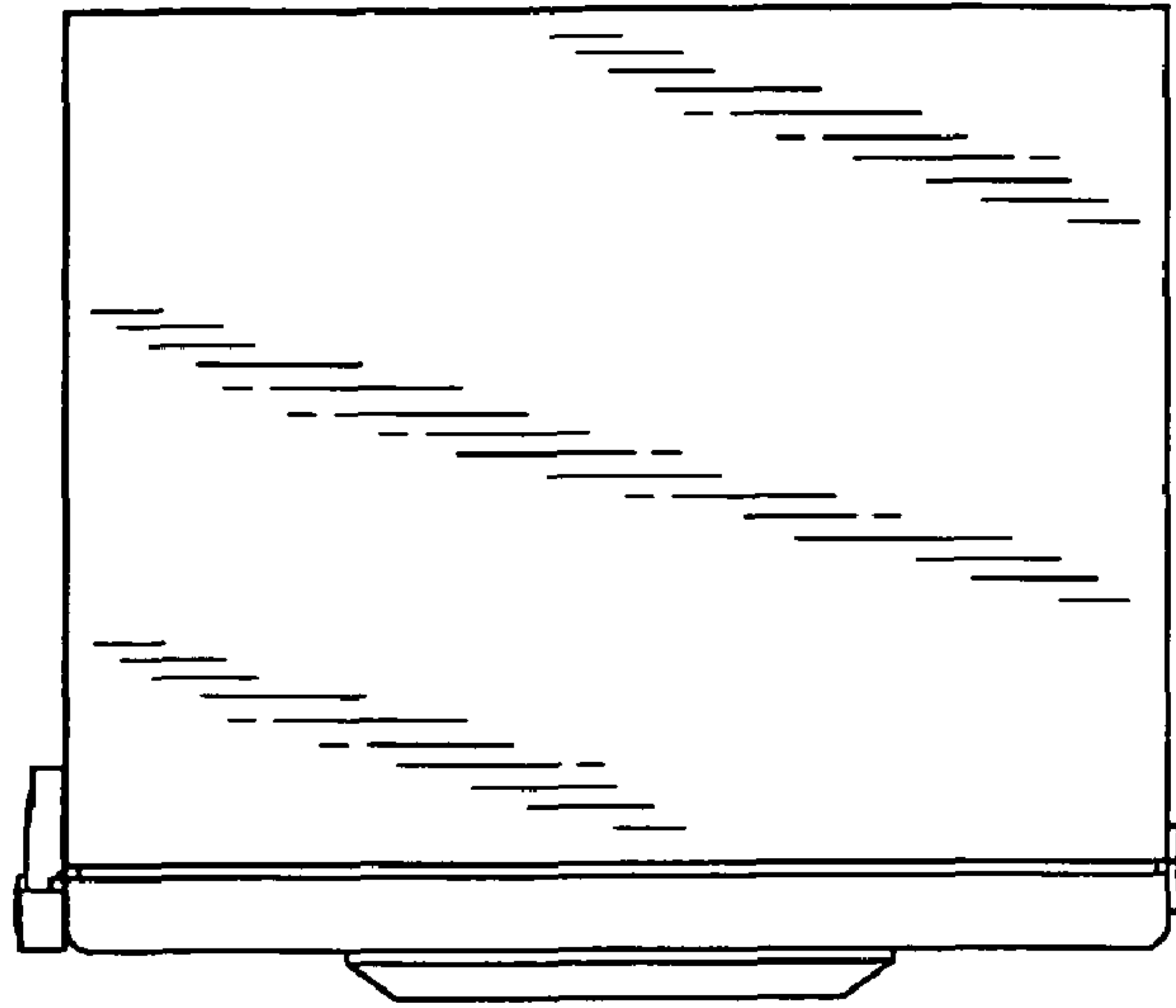


FIG. 5

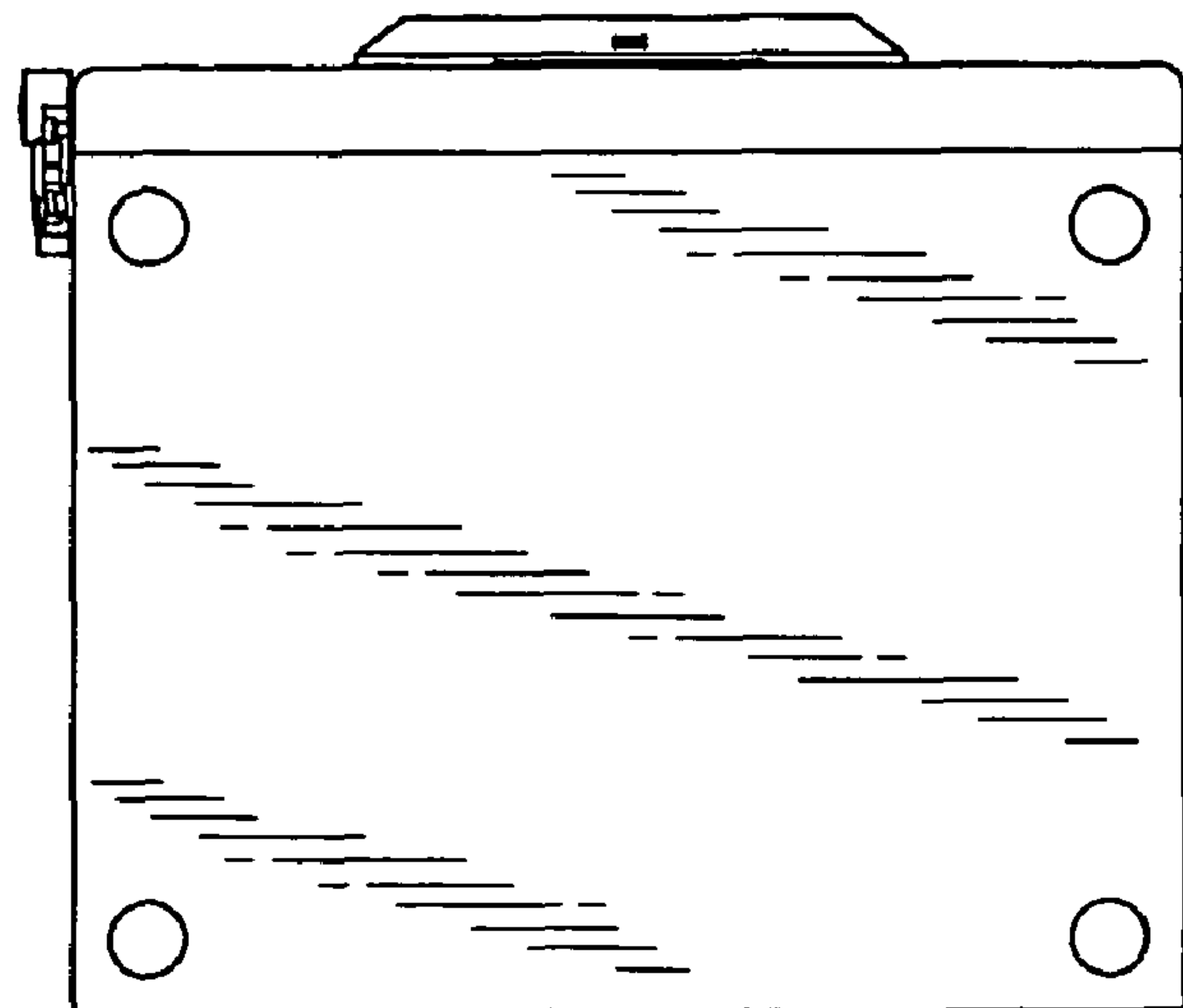


FIG. 6

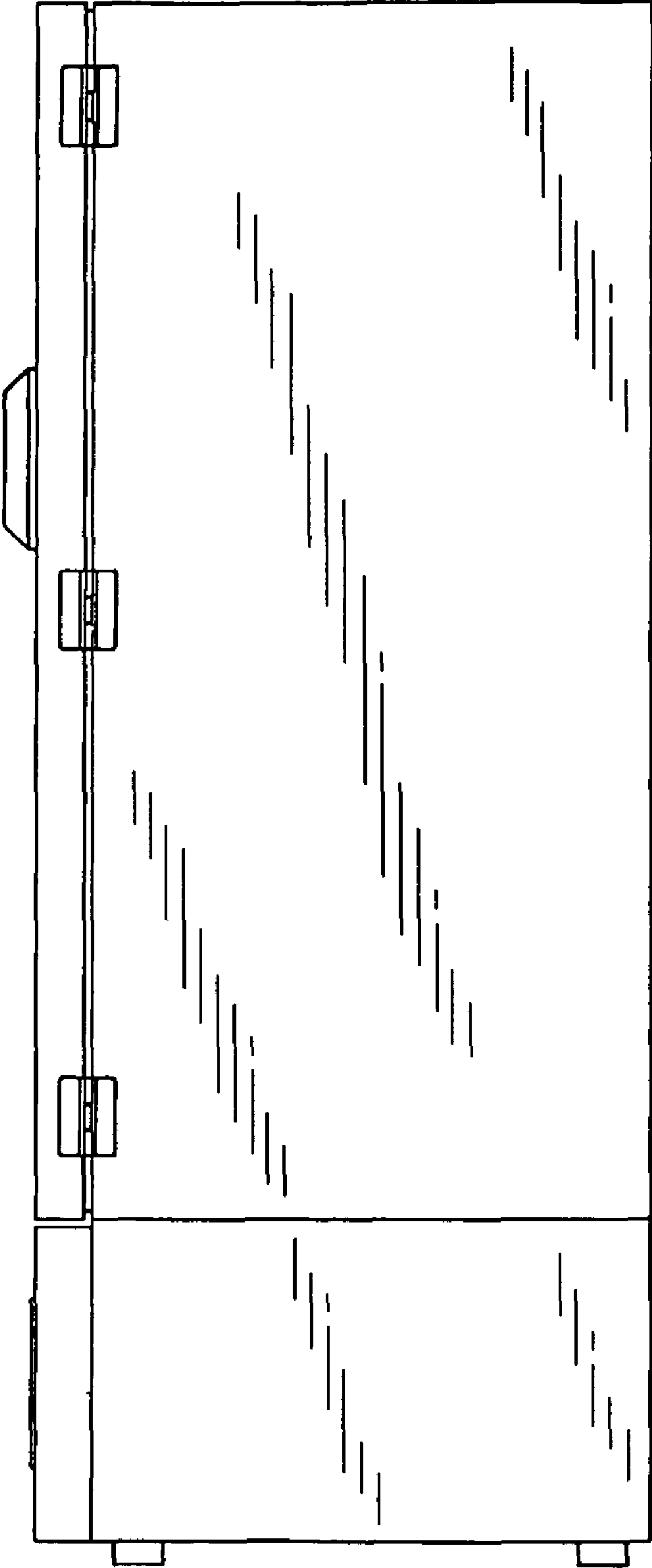


FIG. 7

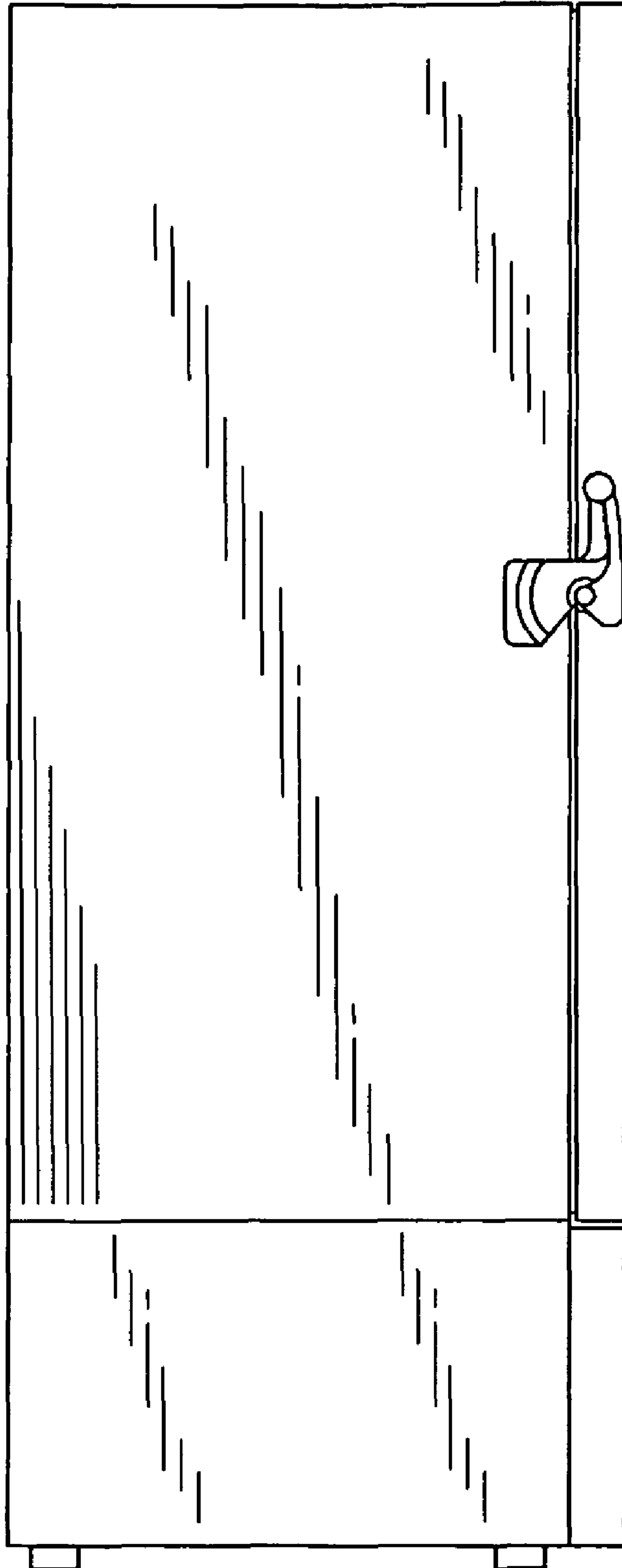


FIG. 8

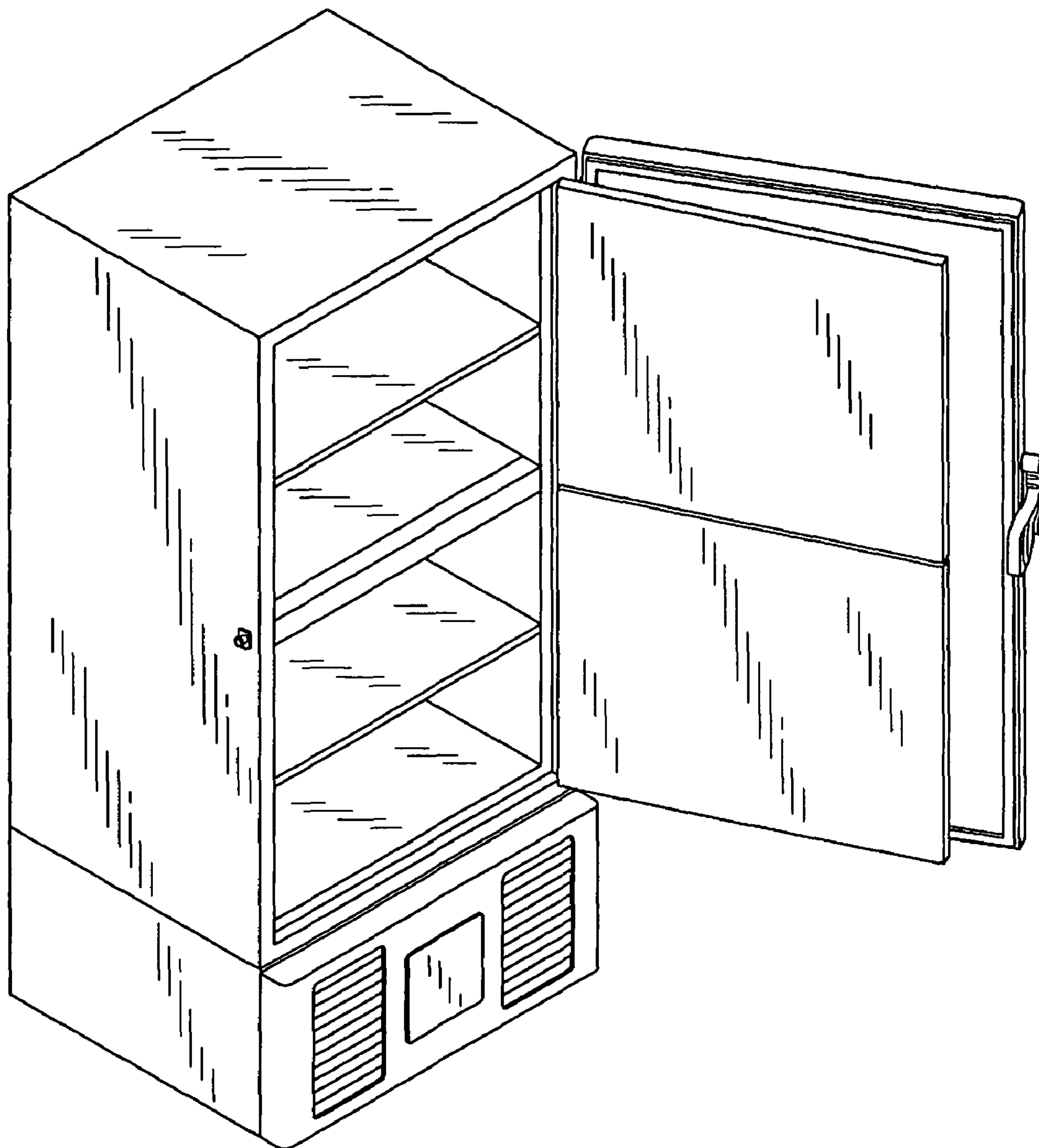




FIG. 9

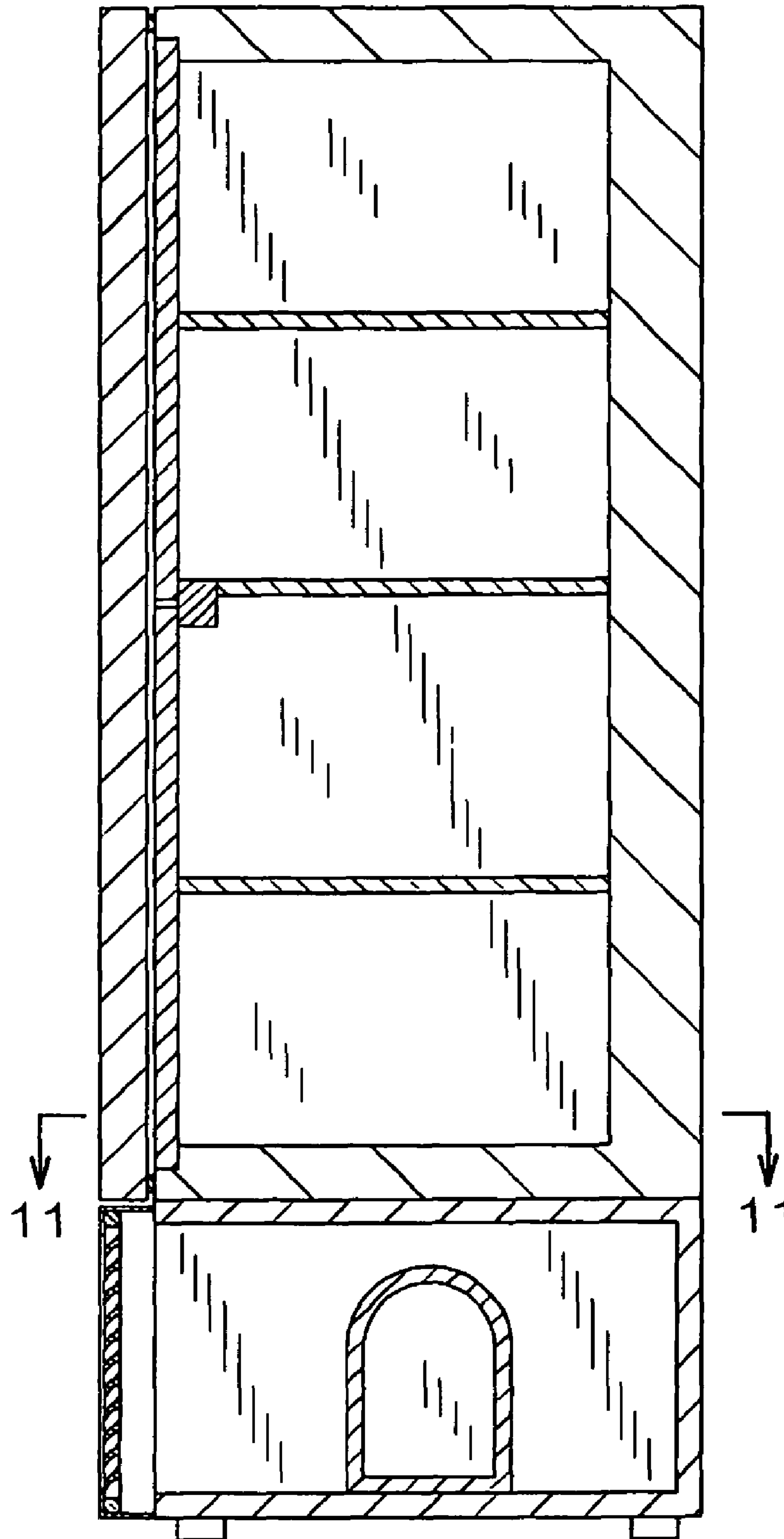


FIG. 10

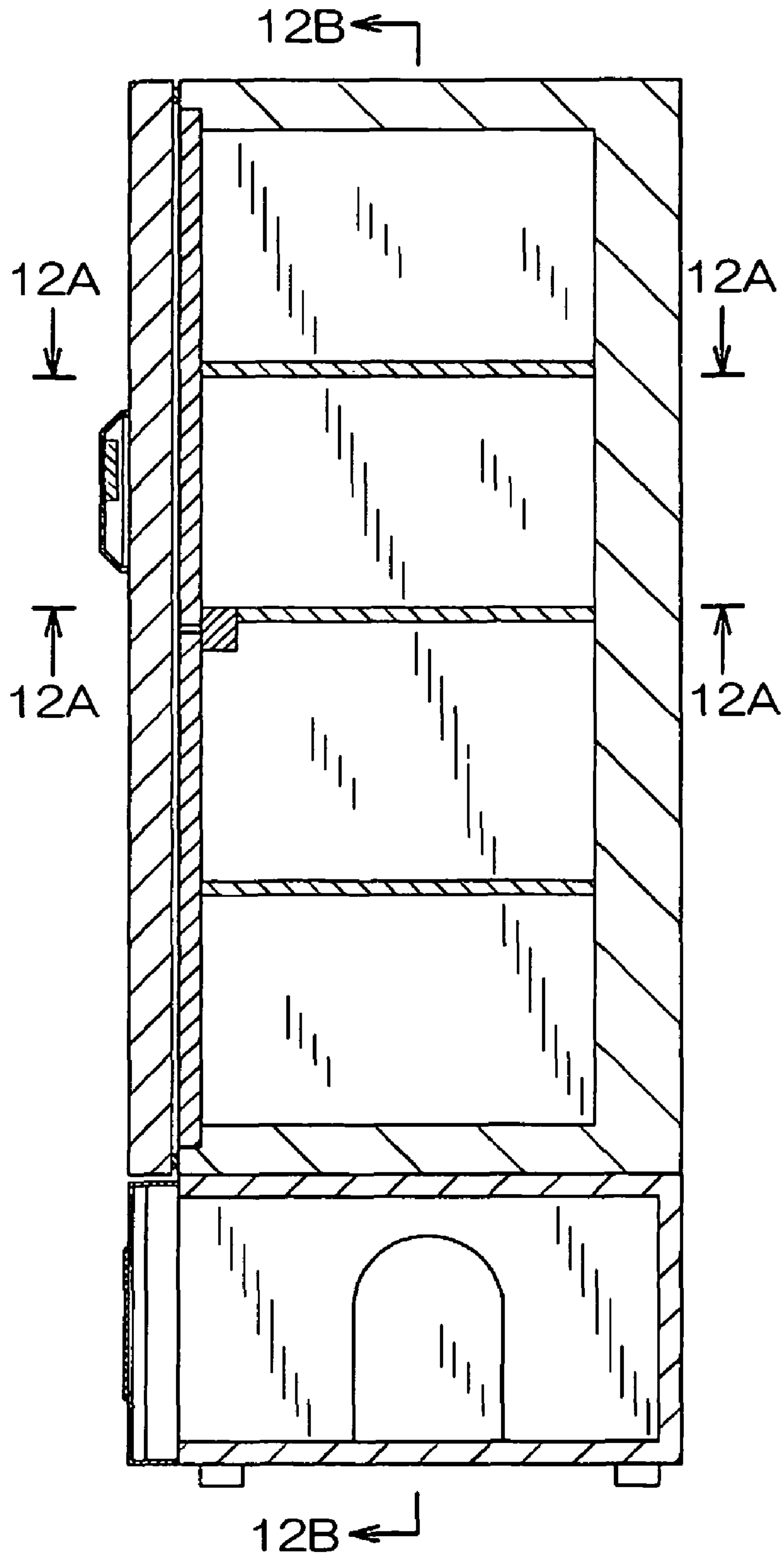


FIG. 11

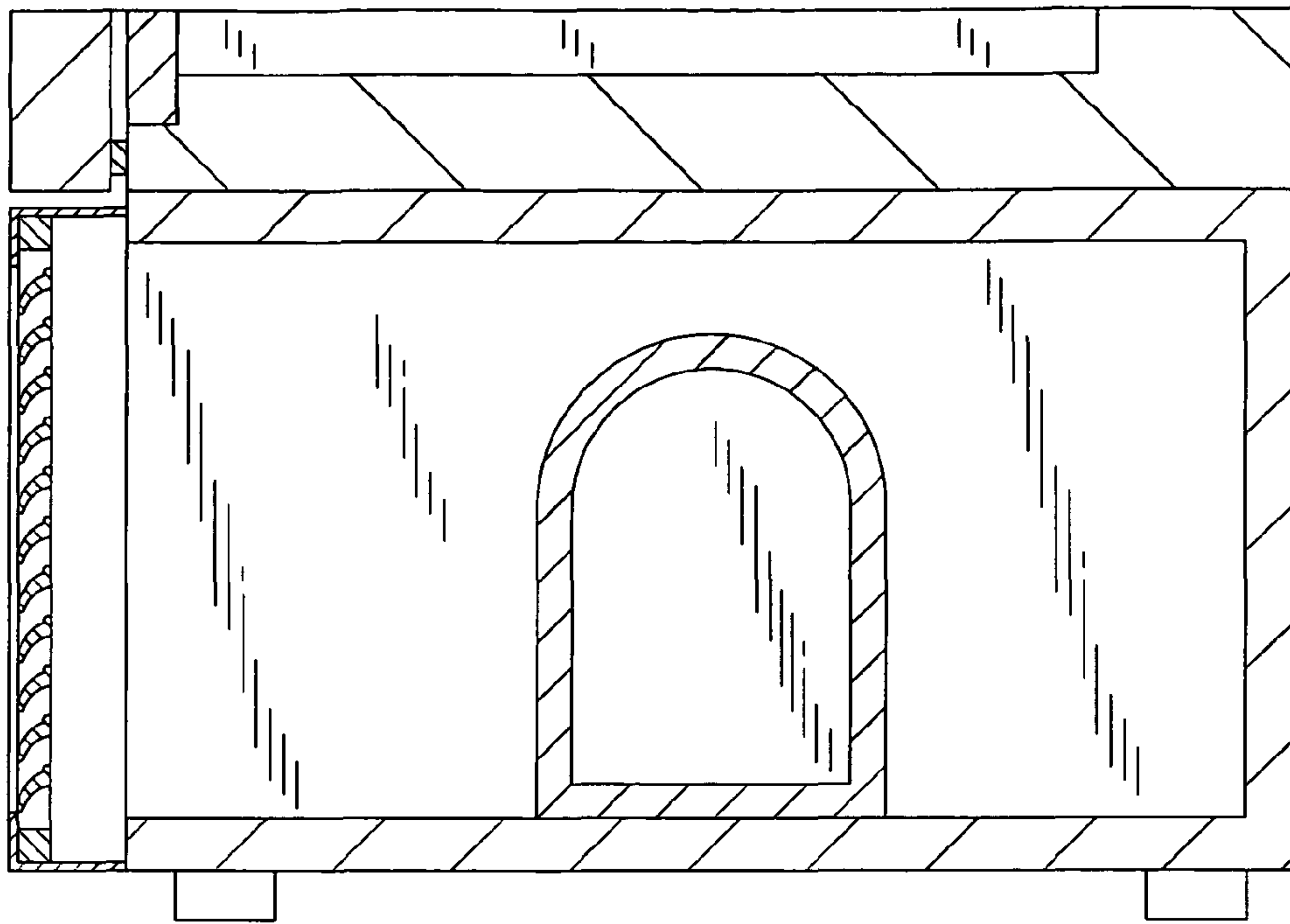


FIG. 12

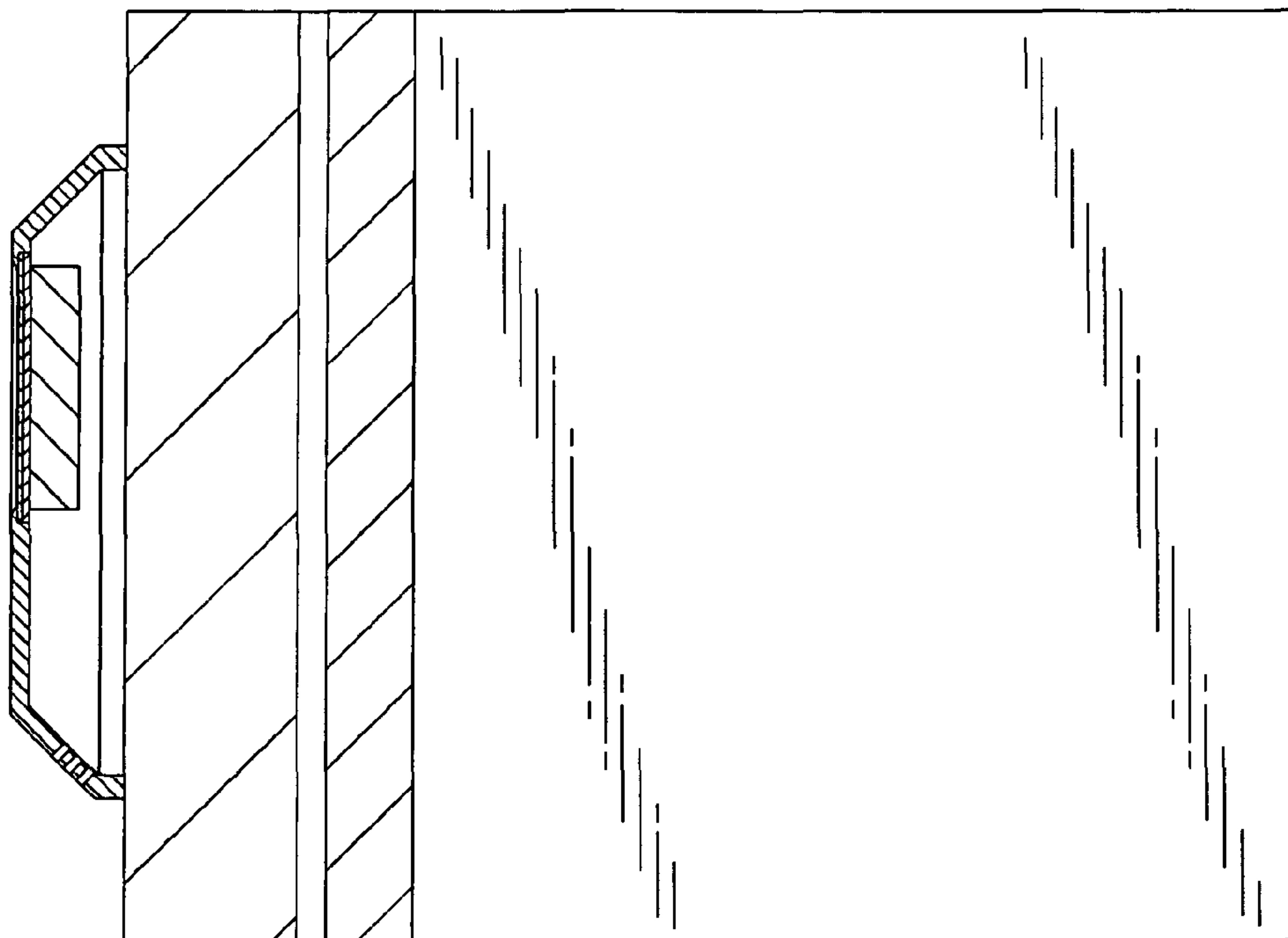


FIG. 13

