



US00D647111S

(12) **United States Design Patent**
Pages

(10) **Patent No.:** **US D647,111 S**
(45) **Date of Patent:** **** Oct. 18, 2011**

(54) **PUMP FOR LIQUIDS**

(75) Inventor: **Josep Pages**, Banyoles (ES)

(73) Assignee: **ESPA 2025, S.L.**, Banyoles (ES)

(**) Term: **14 Years**

(21) Appl. No.: **29/384,960**

(22) Filed: **Feb. 7, 2011**

(30) **Foreign Application Priority Data**

Aug. 5, 2010 (EM) 1740598-0009

(51) **LOC (9) Cl.** **15-02**

(52) **U.S. Cl.** **D15/7**

(58) **Field of Classification Search** D15/7-9;
D23/231, 232, 225; 417/60, 235, 265, 321,
417/355, 358, 363, 359, 410.1, 415-416,
417/405, 900; 60/408, 412; 184/26-37;
415/140-147; 123/495, 509

See application file for complete search history.

(56) **References Cited**

U.S. PATENT DOCUMENTS

D479,248 S * 9/2003 Gist et al. D15/9
D498,242 S * 11/2004 Song et al. D15/7
D516,090 S * 2/2006 Gist et al. D15/9
D551,681 S * 9/2007 Rhea et al. D15/9
D605,663 S * 12/2009 Hopper D15/7

D606,563 S * 12/2009 Stimpson et al. D15/7
D615,558 S * 5/2010 Stimpson et al. D15/7
D620,499 S * 7/2010 Sulzer et al. D15/7

* cited by examiner

Primary Examiner — Ralf Seifert

(74) *Attorney, Agent, or Firm* — Edell, Shapiro & Finnan, LLC

(57) **CLAIM**

The ornamental design for a pump for liquids, as shown and described.

DESCRIPTION

FIG. 1 is a top plan view of a pump for liquids showing my new design;

FIG. 2 is a bottom plan view of the pump for liquids of FIG. 1;

FIG. 3 is a right side elevation view of the pump for liquids of FIG. 1;

FIG. 4 is a left side elevation view of the pump for liquids of FIG. 1;

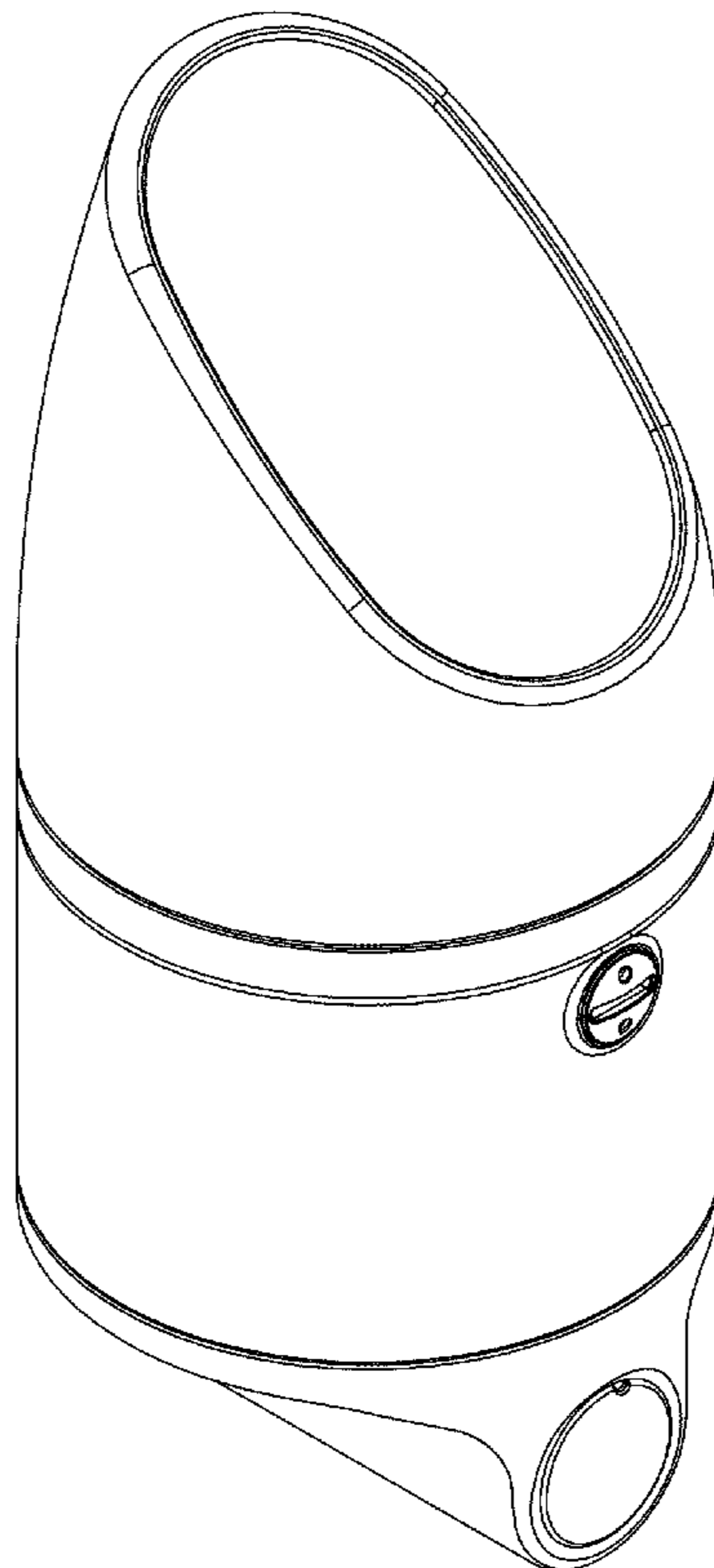
FIG. 5 is a front elevation view of the pump for liquids of FIG. 1;

FIG. 6 is a rear elevation view of the pump for liquids of FIG. 1;

FIG. 7 is a left, front perspective view from above of the pump for liquids of FIG. 1; and,

FIG. 8 is a right, front perspective view from below of the pump for liquids of FIG. 1.

1 Claim, 5 Drawing Sheets



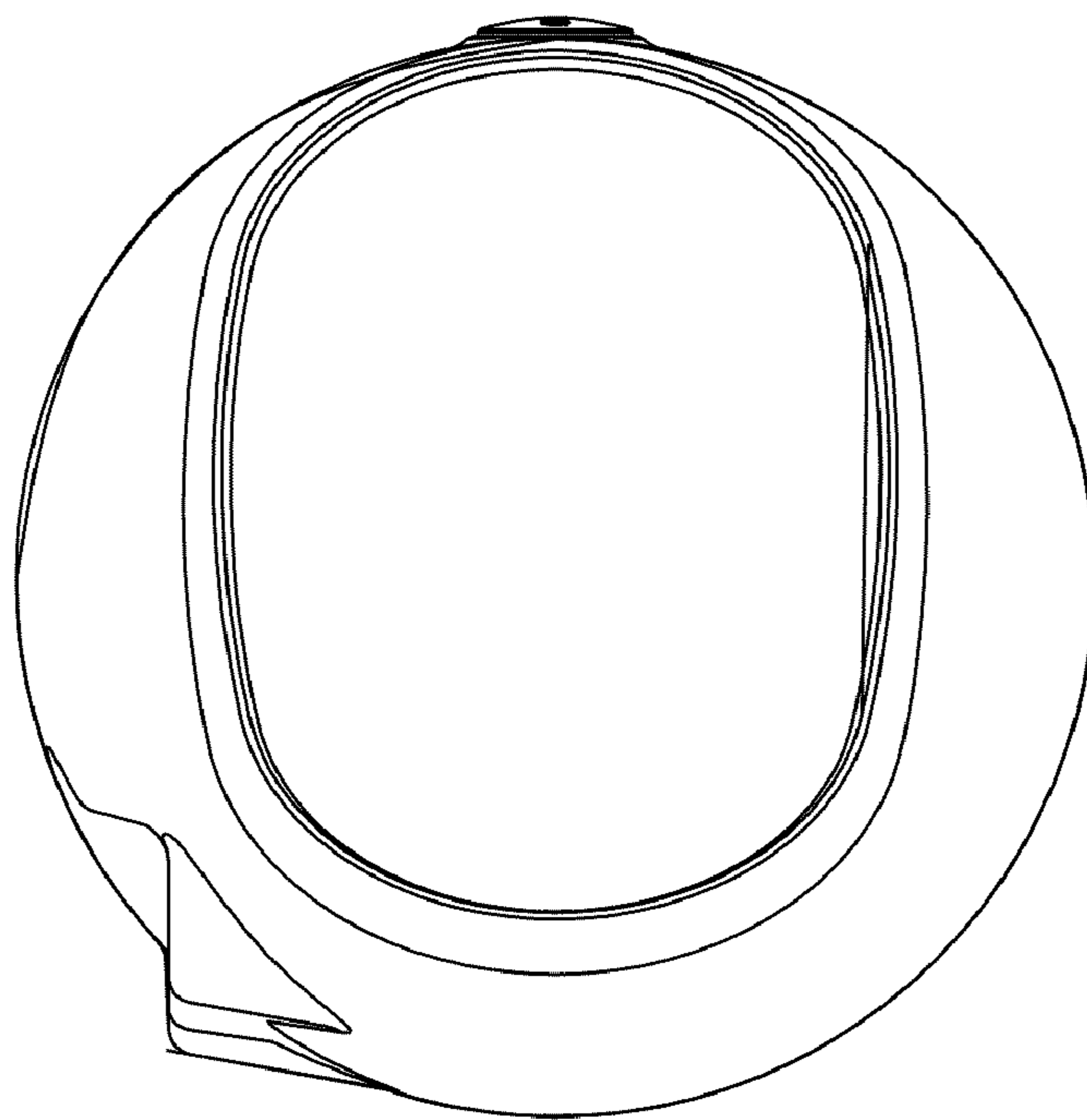


FIG.1

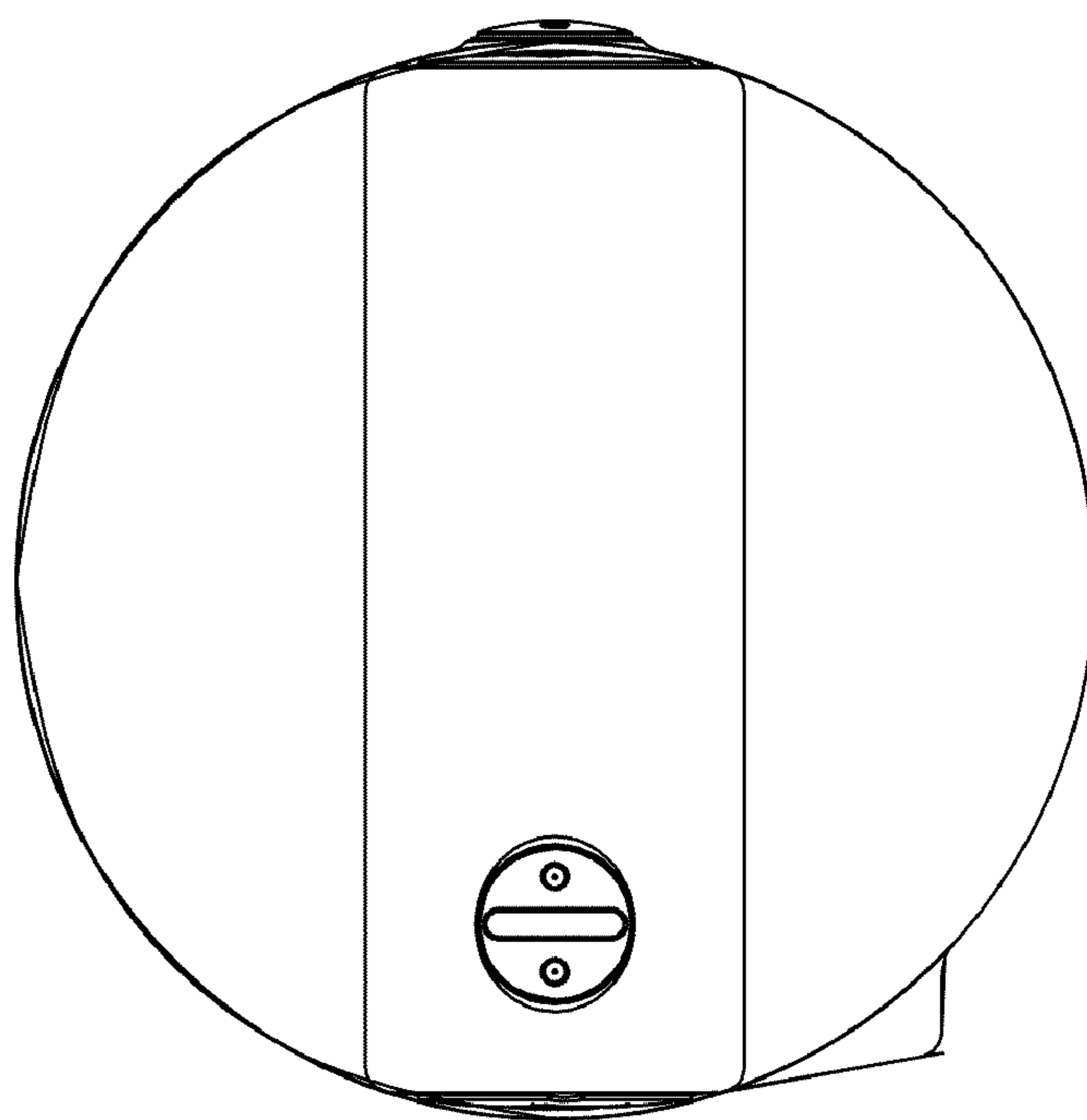


FIG.2

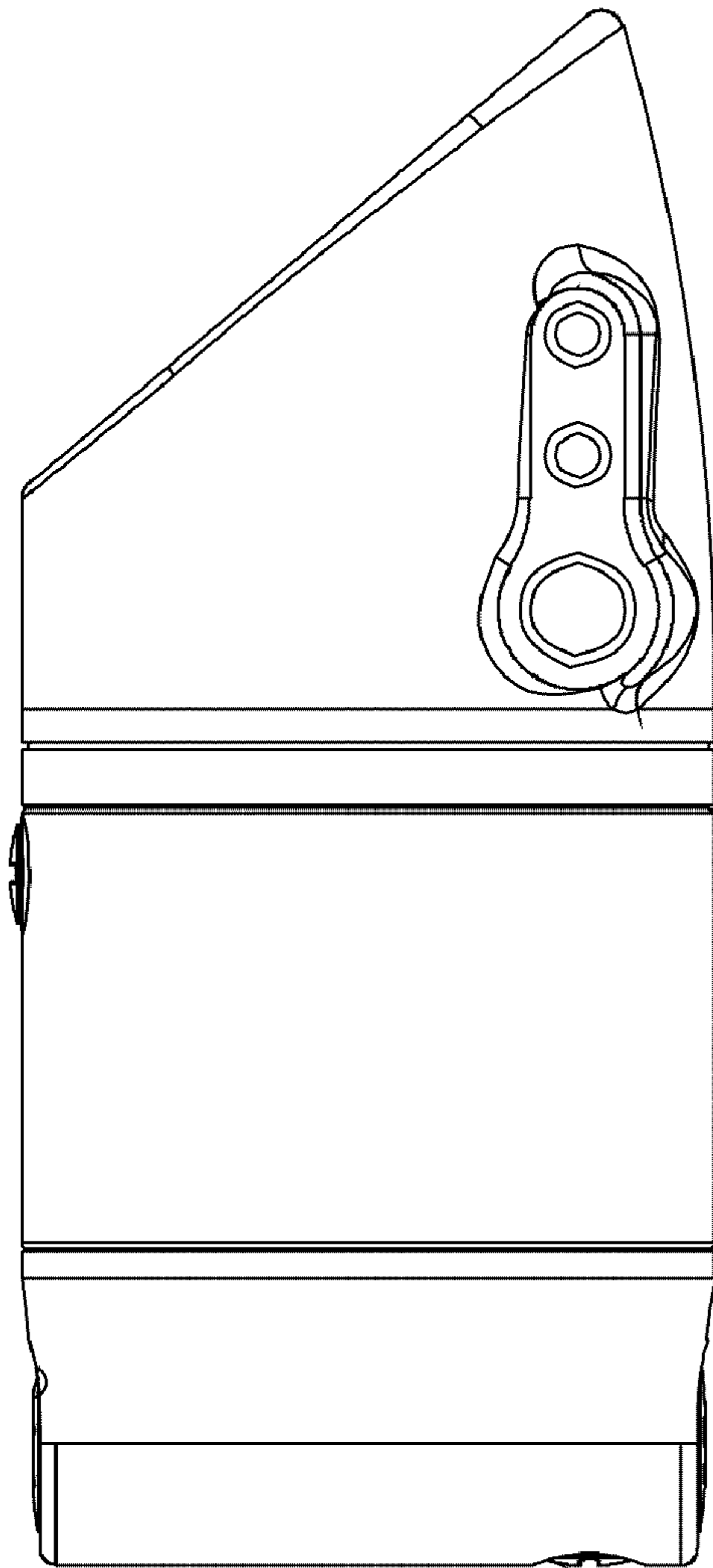


FIG.3

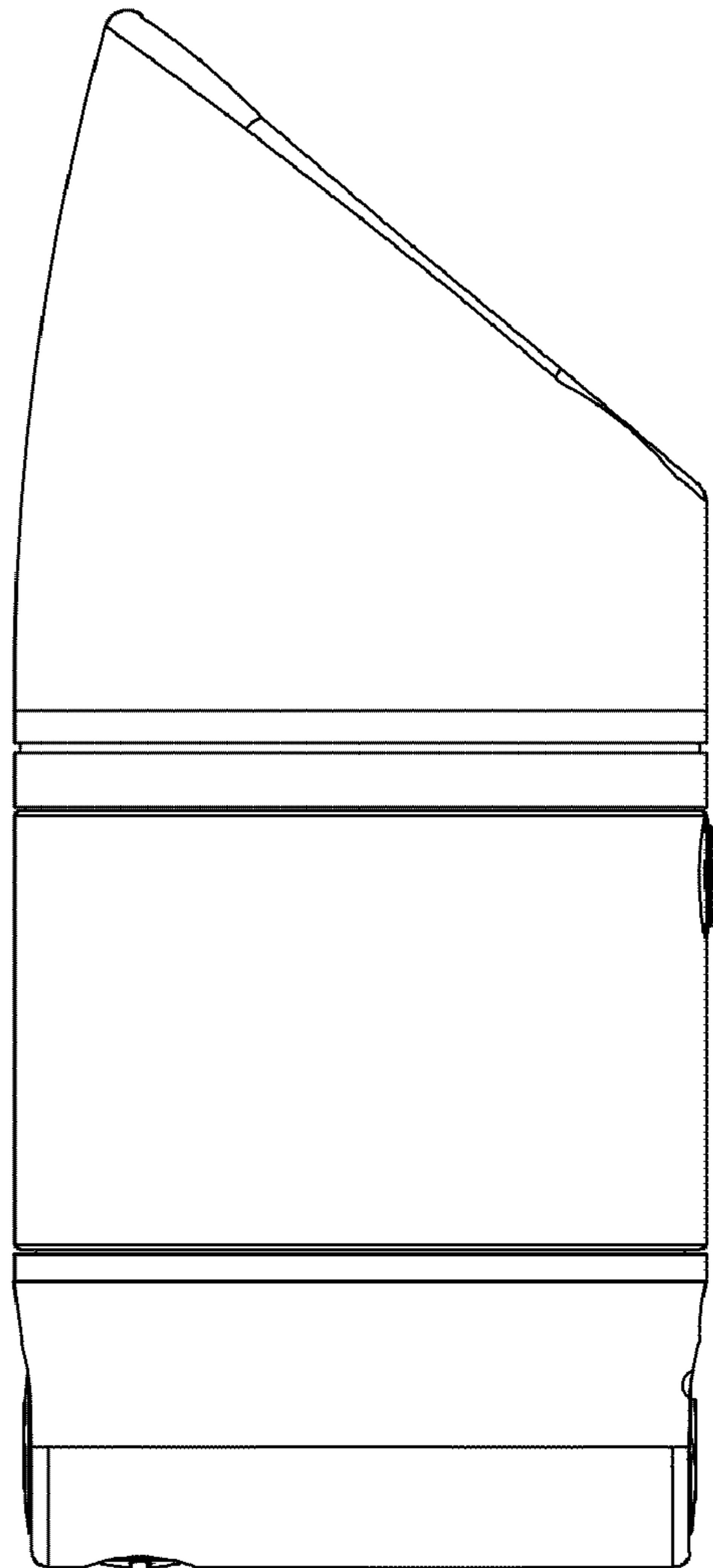


FIG.4

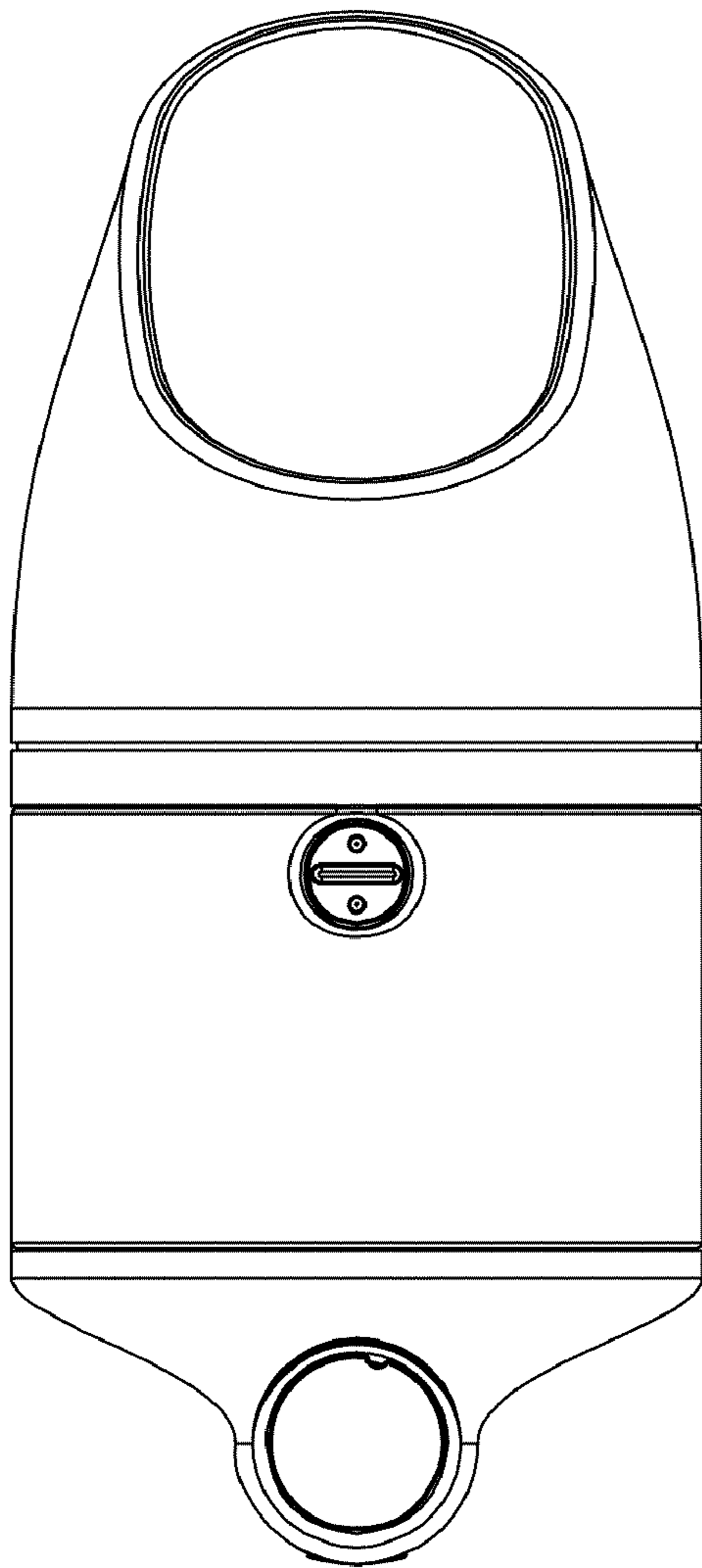


FIG.5

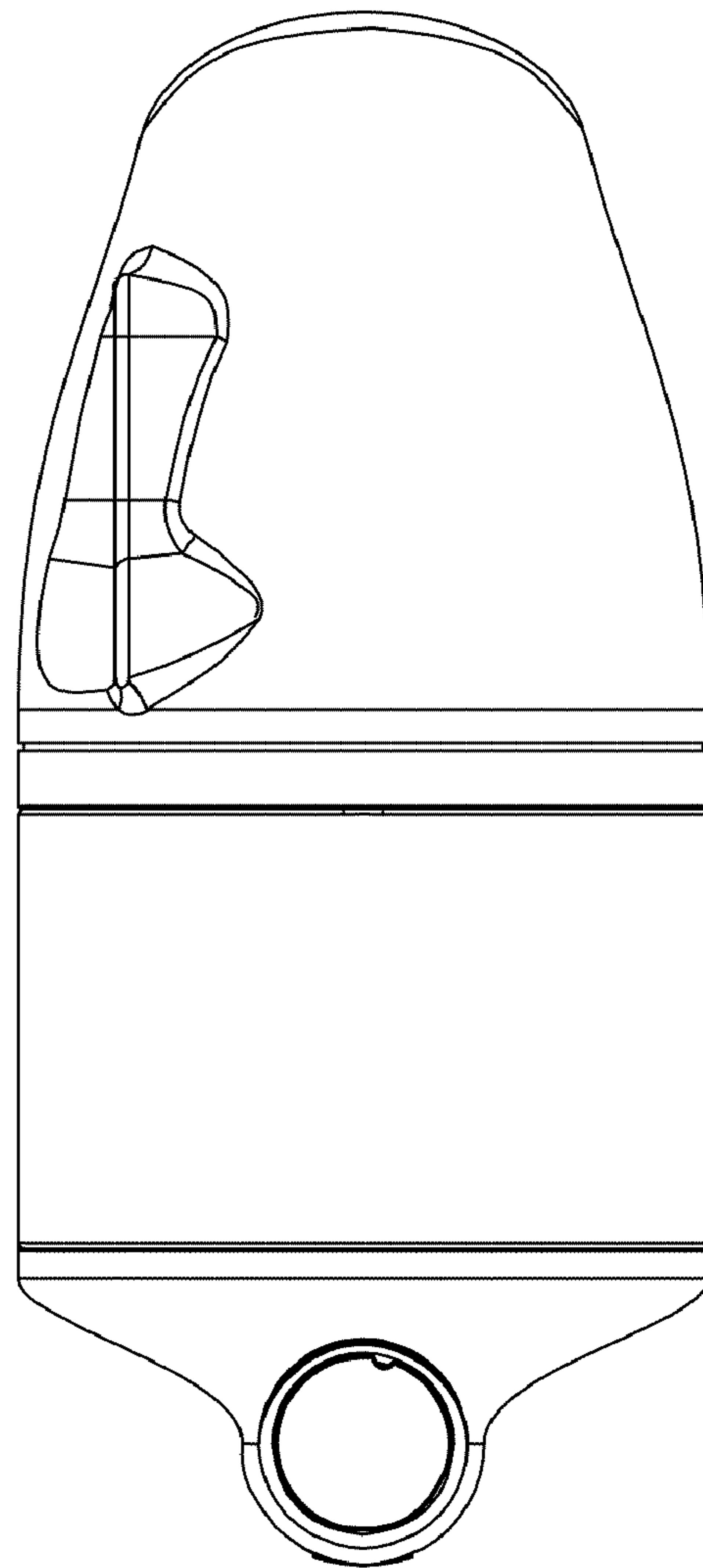


FIG.6

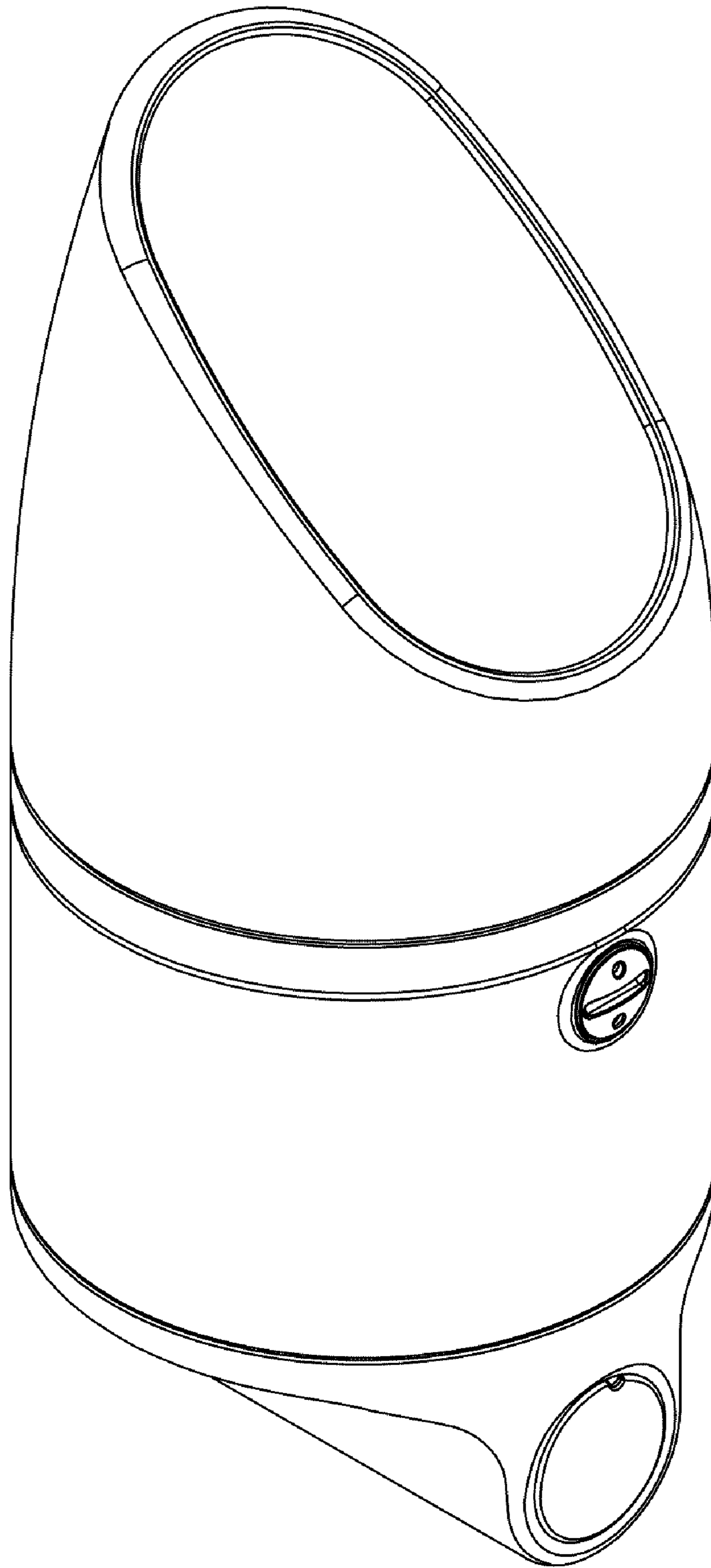


FIG.7

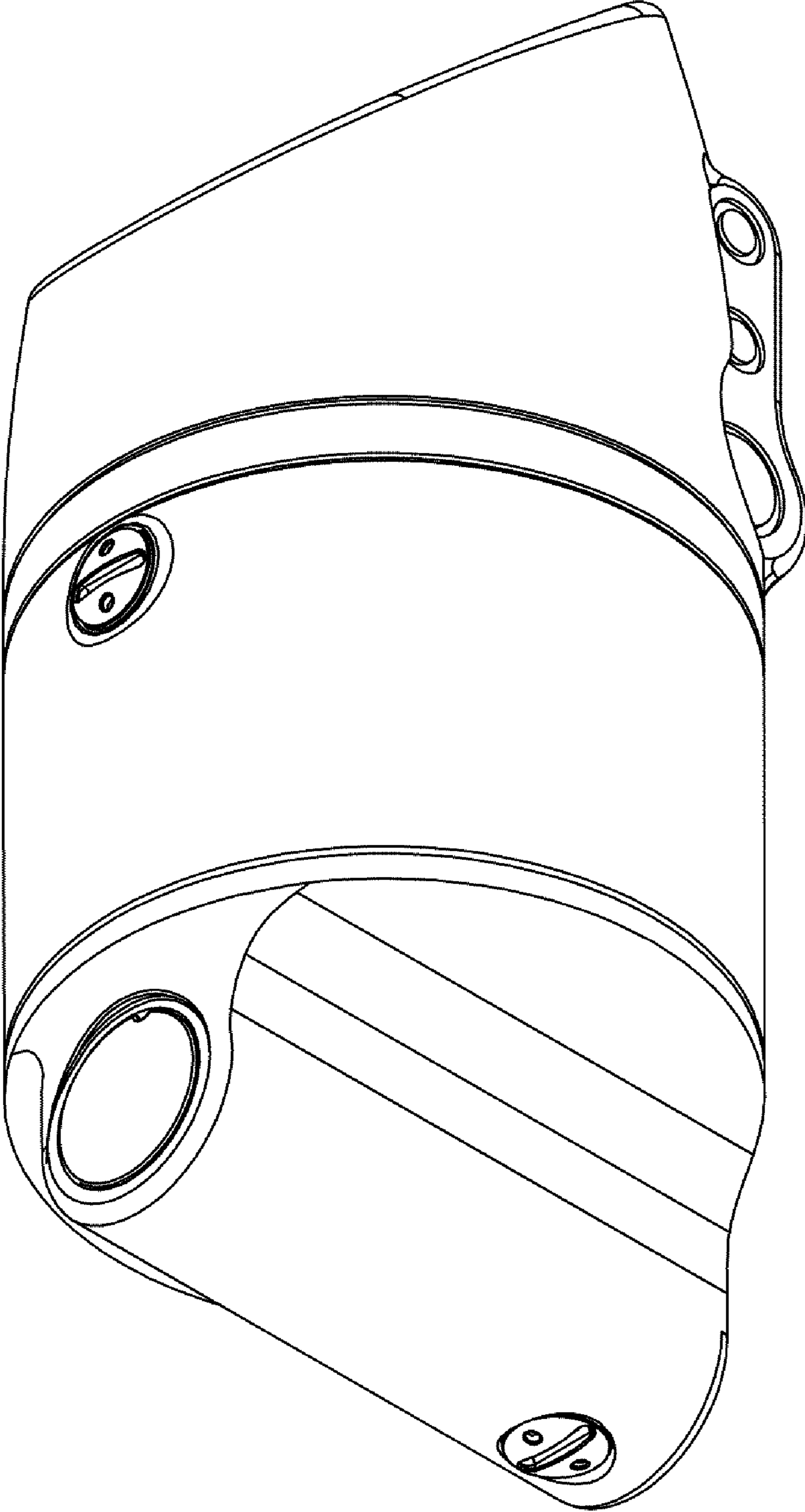


FIG.8