



US00D647110S

(12) **United States Design Patent**
Pages

(10) **Patent No.:** **US D647,110 S**
(45) **Date of Patent:** **** Oct. 18, 2011**

(54) **PUMP FOR LIQUIDS**
(75) Inventor: **Josep Pages**, Banyoles (ES)
(73) Assignee: **ESPA 2025, S.L.**, Banyoles (ES)
(**) Term: **14 Years**
(21) Appl. No.: **29/384,958**
(22) Filed: **Feb. 7, 2011**
(30) **Foreign Application Priority Data**

D565,983 S * 4/2008 Ni et al. D10/106.8
D589,983 S * 4/2009 Sinico D15/7
D590,420 S * 4/2009 Casalini D15/7
D603,870 S * 11/2009 Mehnert et al. D15/7
D623,201 S * 9/2010 Yu D15/7
* cited by examiner

Primary Examiner — Ralf Seifert
(74) *Attorney, Agent, or Firm* — Edell, Shapiro & Finnan, LLC

(57) **CLAIM**
The ornamental design for a pump for liquids, as shown and described.

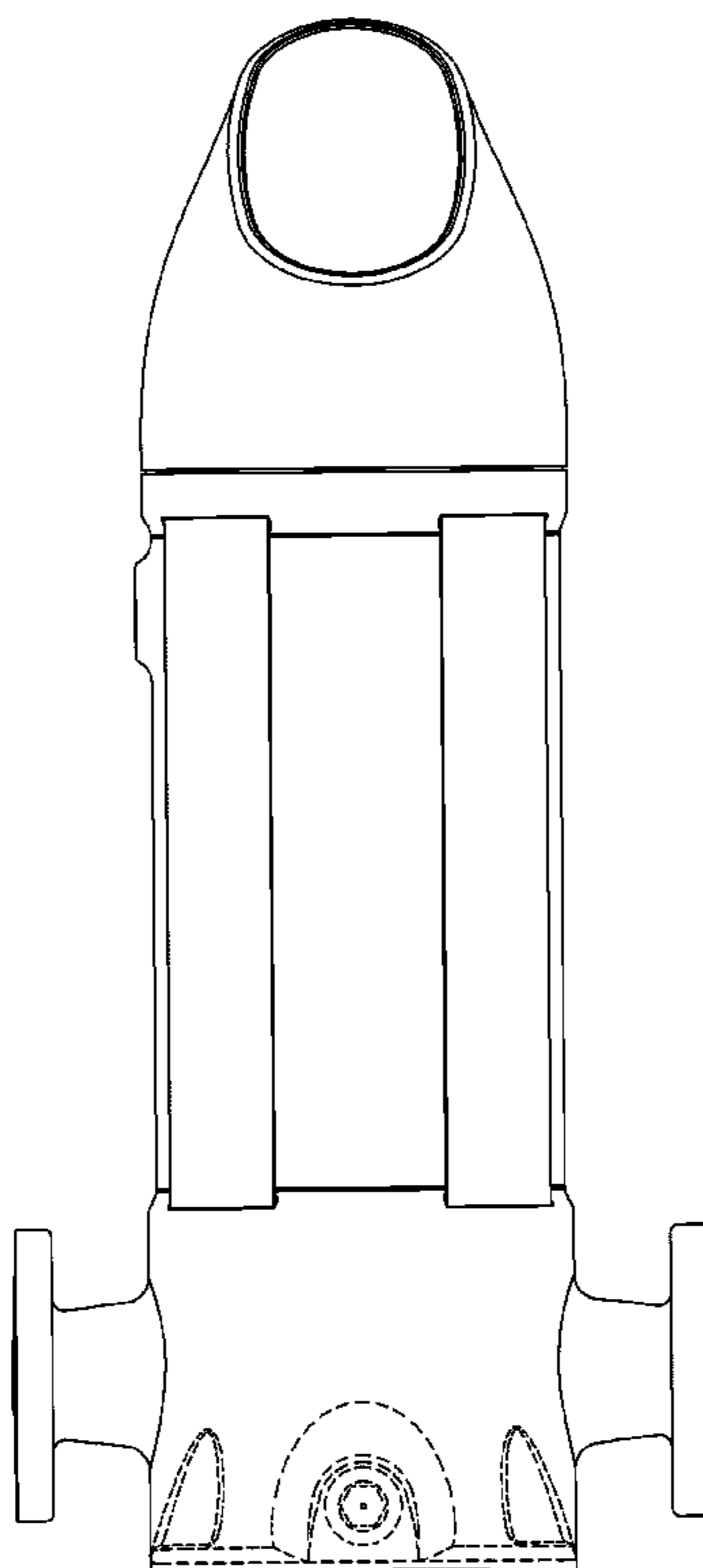
Aug. 5, 2010 (EM) 1740598-0005
(51) **LOC (9) Cl.** **15-02**
(52) **U.S. Cl.** **D15/7**
(58) **Field of Classification Search** D15/7-9;
D23/231, 232, 225; 417/60, 235, 265, 321,
417/355, 358, 363, 359, 410.1, 415-416,
417/405, 900; 60/408, 412; 184/26-37;
415/140-147; 123/495, 509
See application file for complete search history.

DESCRIPTION

FIG. 1 is a front elevation view of a pump for liquids showing my new design;
FIG. 2 is a rear elevation view of the pump for liquids of FIG. 1;
FIG. 3 is a right side elevation view of the pump for liquids of FIG. 1;
FIG. 4 is a left side elevation view of the pump for liquids of FIG. 1;
FIG. 5 is a top plan view of the pump for liquids of FIG. 1;
FIG. 6 is a bottom plan view of the pump for liquids of FIG. 1; and,
FIG. 7 is a front, right perspective view from above of the pump for liquids of FIG. 1.
The portions shown in phantom (broken lines) are for illustrative purposes only and form no part of the claimed design.

(56) **References Cited**
U.S. PATENT DOCUMENTS
D258,210 S * 2/1981 Shure D15/7
D440,230 S * 4/2001 Craford et al. D15/7
D440,231 S * 4/2001 Craford et al. D15/7
D491,577 S * 6/2004 Akimoto et al. D15/7
D492,324 S * 6/2004 Stevens D15/7
D565,600 S * 4/2008 Tazioli D15/7

1 Claim, 6 Drawing Sheets



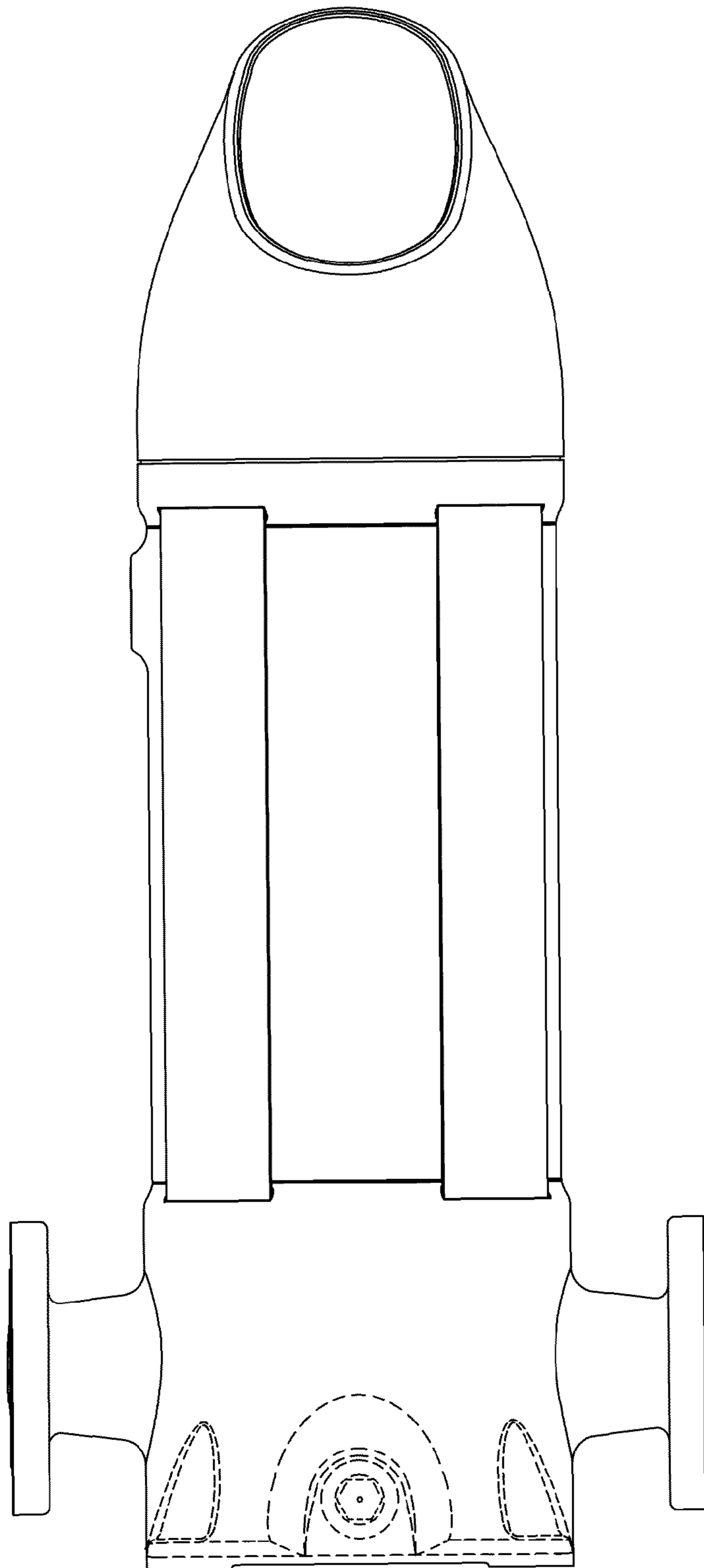


FIG.1

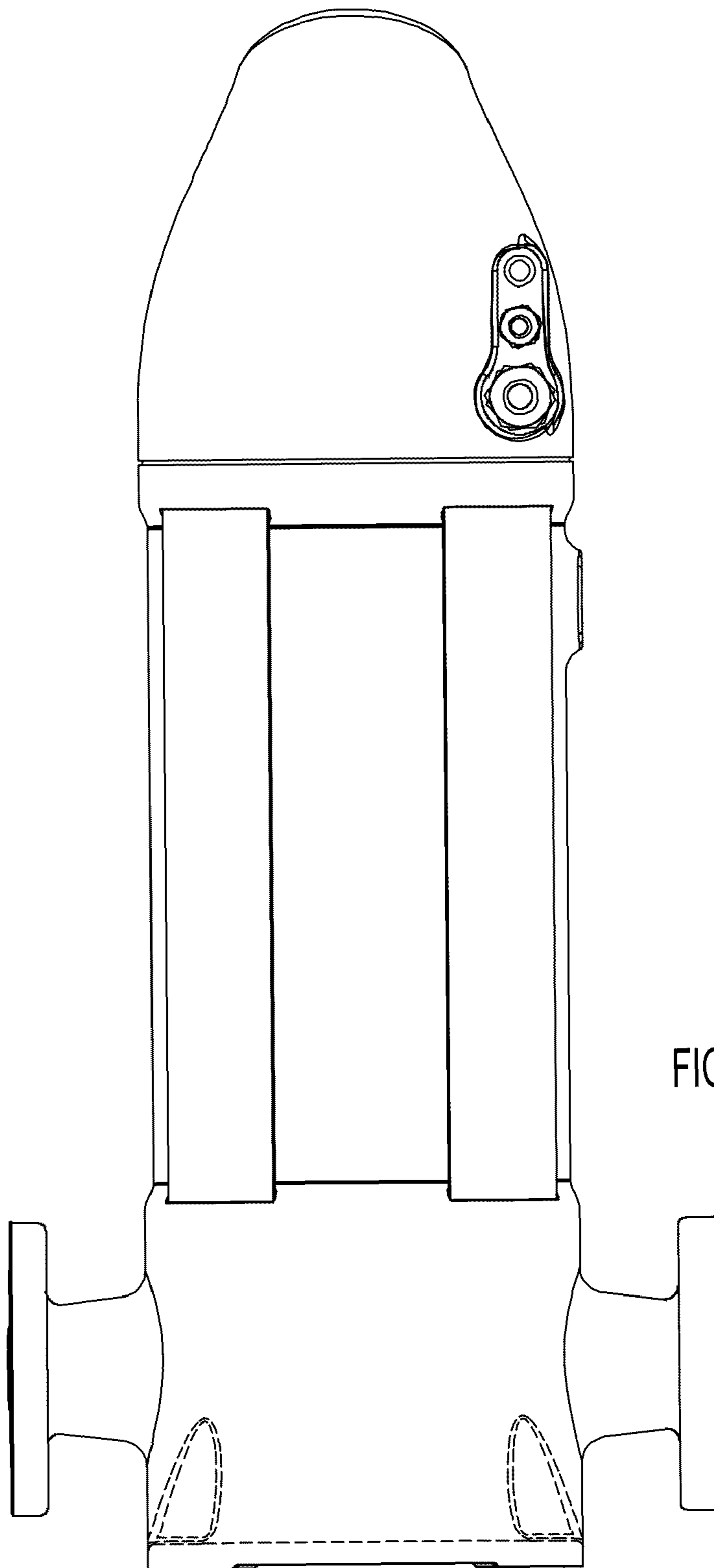


FIG. 2

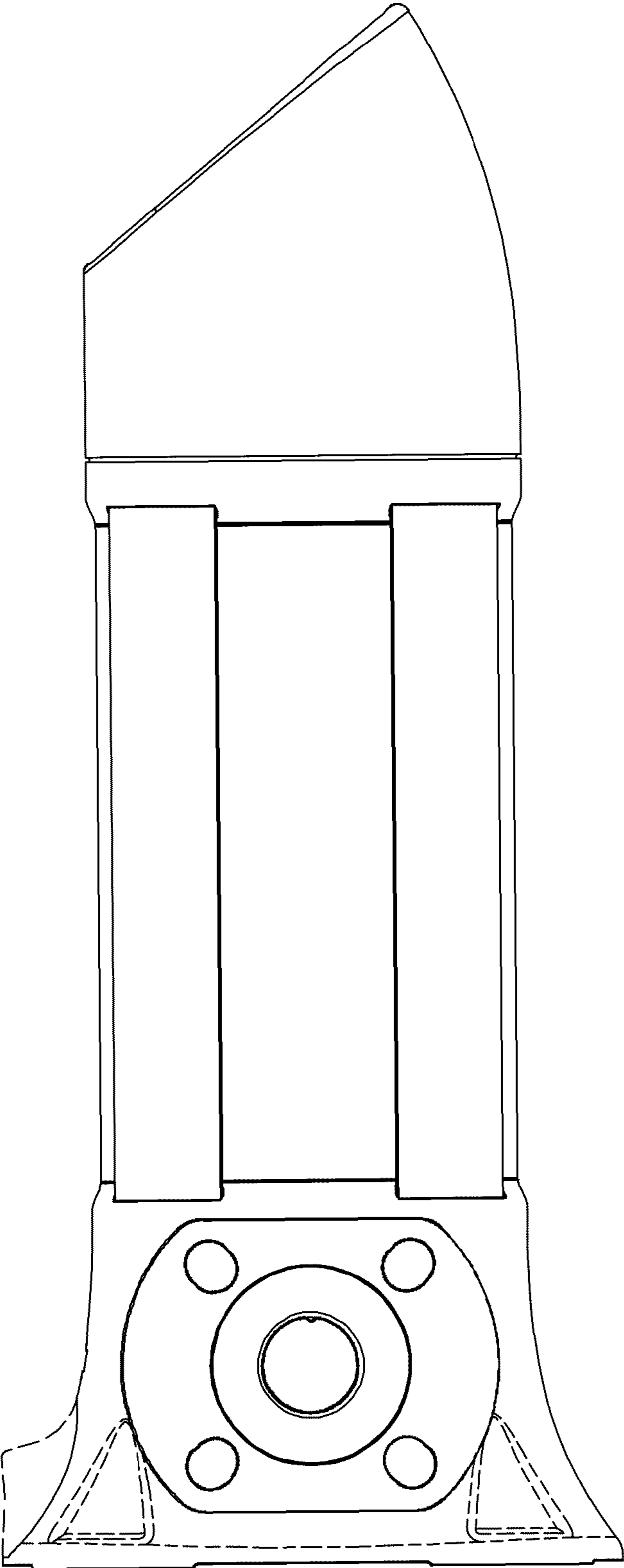


FIG.3

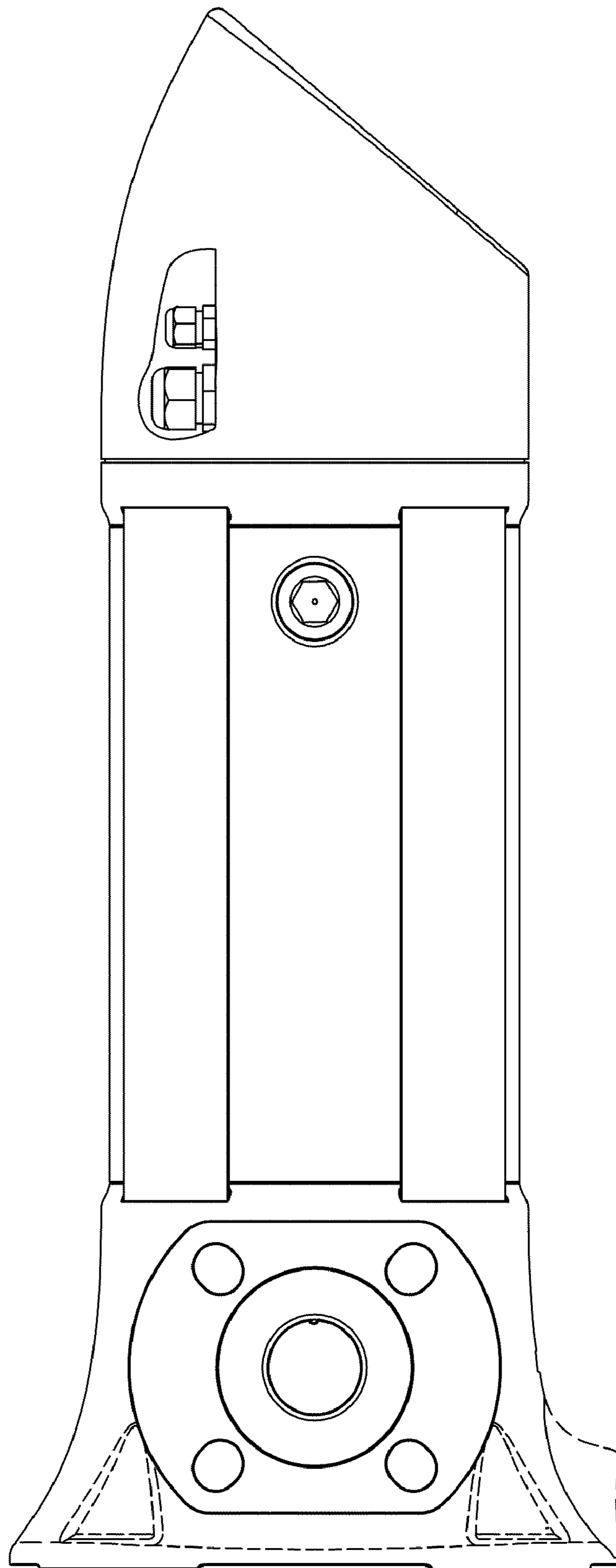


FIG.4

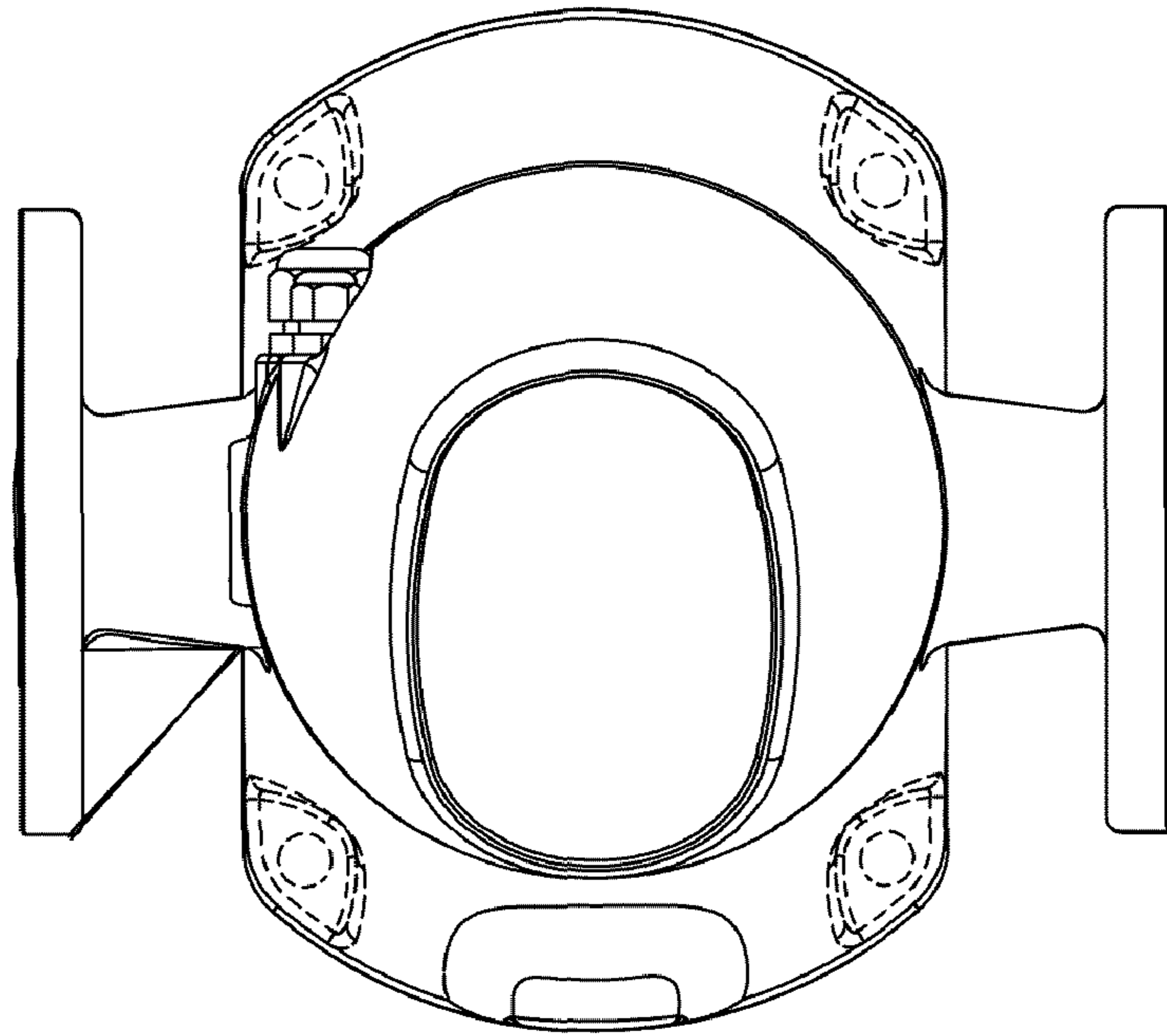


FIG.5

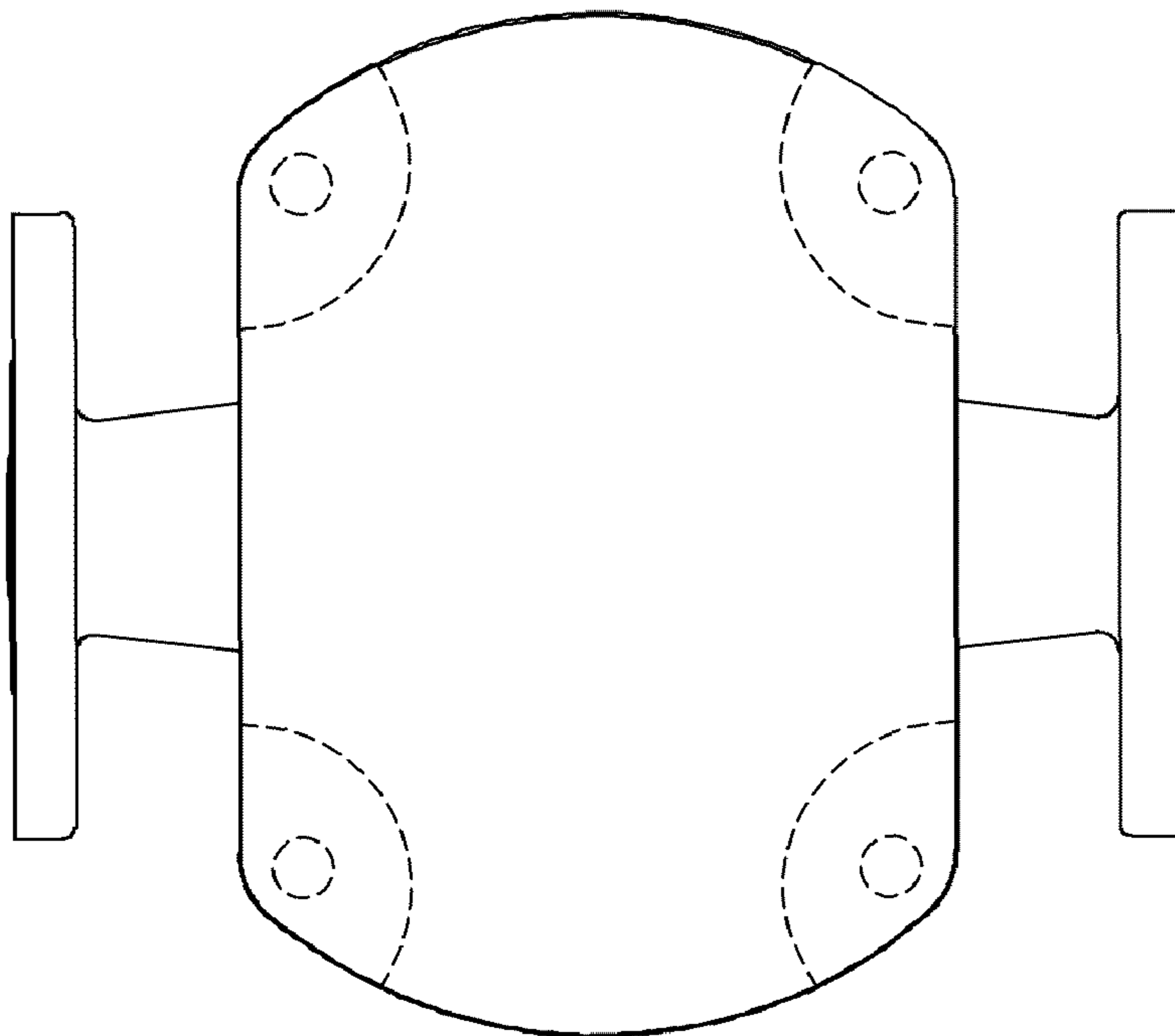


FIG.6

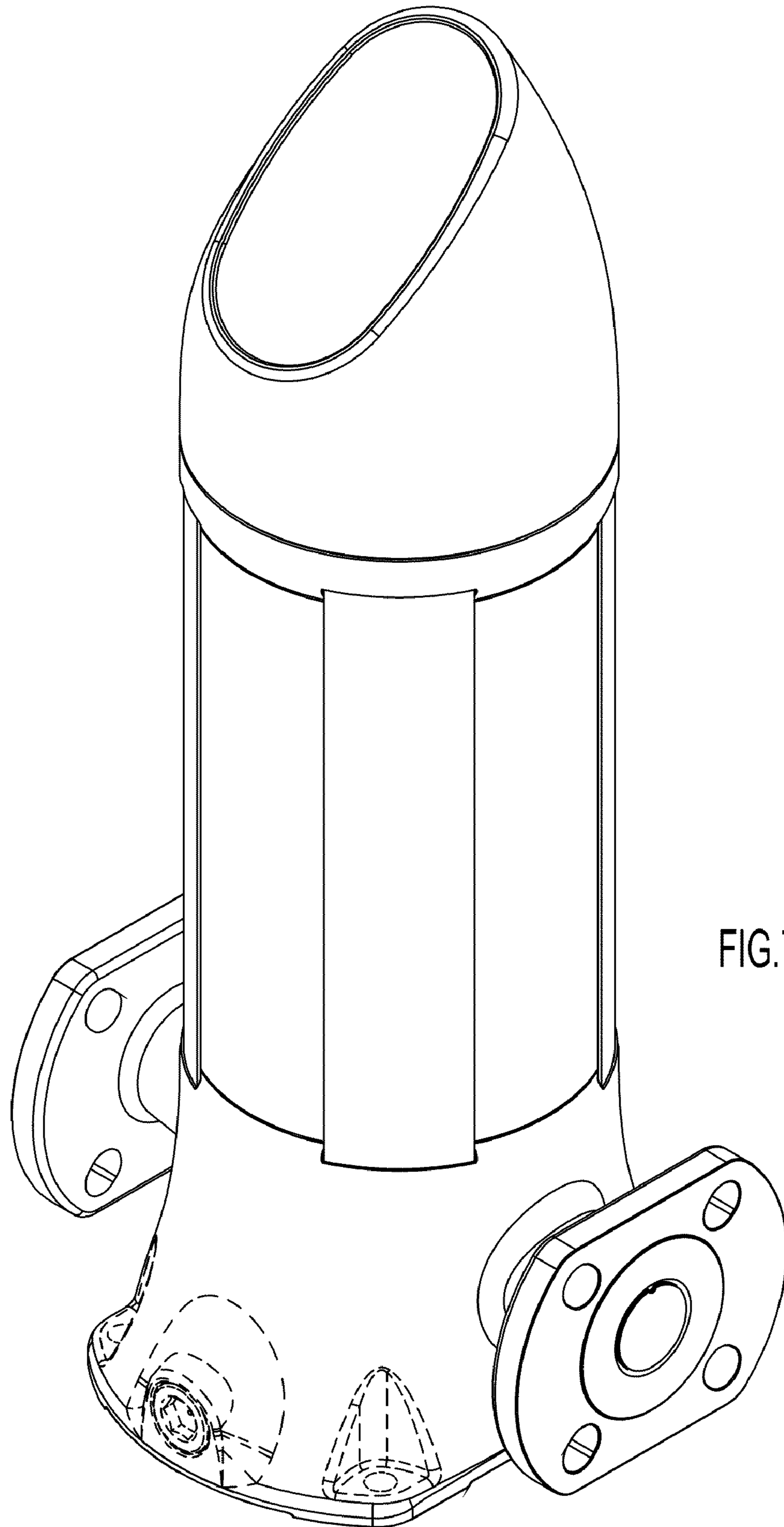


FIG.7