



US00D647107S

(12) **United States Design Patent**
Akana et al.

(10) **Patent No.:** **US D647,107 S**

(45) **Date of Patent:** **** Oct. 18, 2011**

(54) **HOUSING FOR AN ELECTRONIC DEVICE**

455/344–347, 93, 95, 3.01–3.06, 550.1, 573.1;
370/342–344; 369/1, 2, 6–12; 463/43–47;
273/148 B

(75) Inventors: **Jody Akana**, San Francisco, CA (US);
Bartley K. Andre, Menlo Park, CA
(US); **Jeremy Bataillou**, San Francisco,
CA (US); **Daniel J. Coster**, San
Francisco, CA (US); **Teodor Dabov**, San
Francisco, CA (US); **Daniele De Iuliis**,
San Francisco, CA (US); **Evans**
Hankey, San Francisco, CA (US);
Richard P. Howarth, San Francisco, CA
(US); **Jonathan P. Ive**, San Francisco,
CA (US); **Duncan Robert Kerr**, San
Francisco, CA (US); **Anthony**
Montevirgen, San Francisco, CA (US);
Shin Nishibori, Portola Valley, CA (US);
Matthew Dean Rohrbach, San
Francisco, CA (US); **Peter**
Russell-Clarke, San Francisco, CA
(US); **Christopher J. Stringer**,
Woodside, CA (US); **Eugene Antony**
Whang, San Francisco, CA (US); **Kyle**
Yeates, Palo Alto, CA (US); **Rico**
Zorkendorfer, San Francisco, CA (US)

See application file for complete search history.

(56) **References Cited**

U.S. PATENT DOCUMENTS

4,359,220 A	11/1982	Morrison et al.	
D303,137 S	8/1989	Brown	
D306,519 S	3/1990	Nakata	
5,128,829 A *	7/1992	Loew	361/679.3
D344,511 S	2/1994	Ansai et al.	

(Continued)

OTHER PUBLICATIONS

U.S. Appl. No. 29/379,225, Andre et al., "Media Device", filed Nov. 16, 2010.

(Continued)

Primary Examiner — Prabhakar Deshmukh
(74) *Attorney, Agent, or Firm* — Sterne, Kessler, Goldstein & Fox PLLC

(73) Assignee: **Apple Inc.**, Cupertino, CA (US)

(**) Term: **14 Years**

(21) Appl. No.: **29/368,972**

(22) Filed: **Aug. 31, 2010**

Related U.S. Application Data

(62) Division of application No. 29/367,998, filed on Aug. 16, 2010, now Pat. No. Des. 638,443.

(51) **LOC (9) Cl.** **14-03**

(52) **U.S. Cl.** **D14/496; D14/203.3**

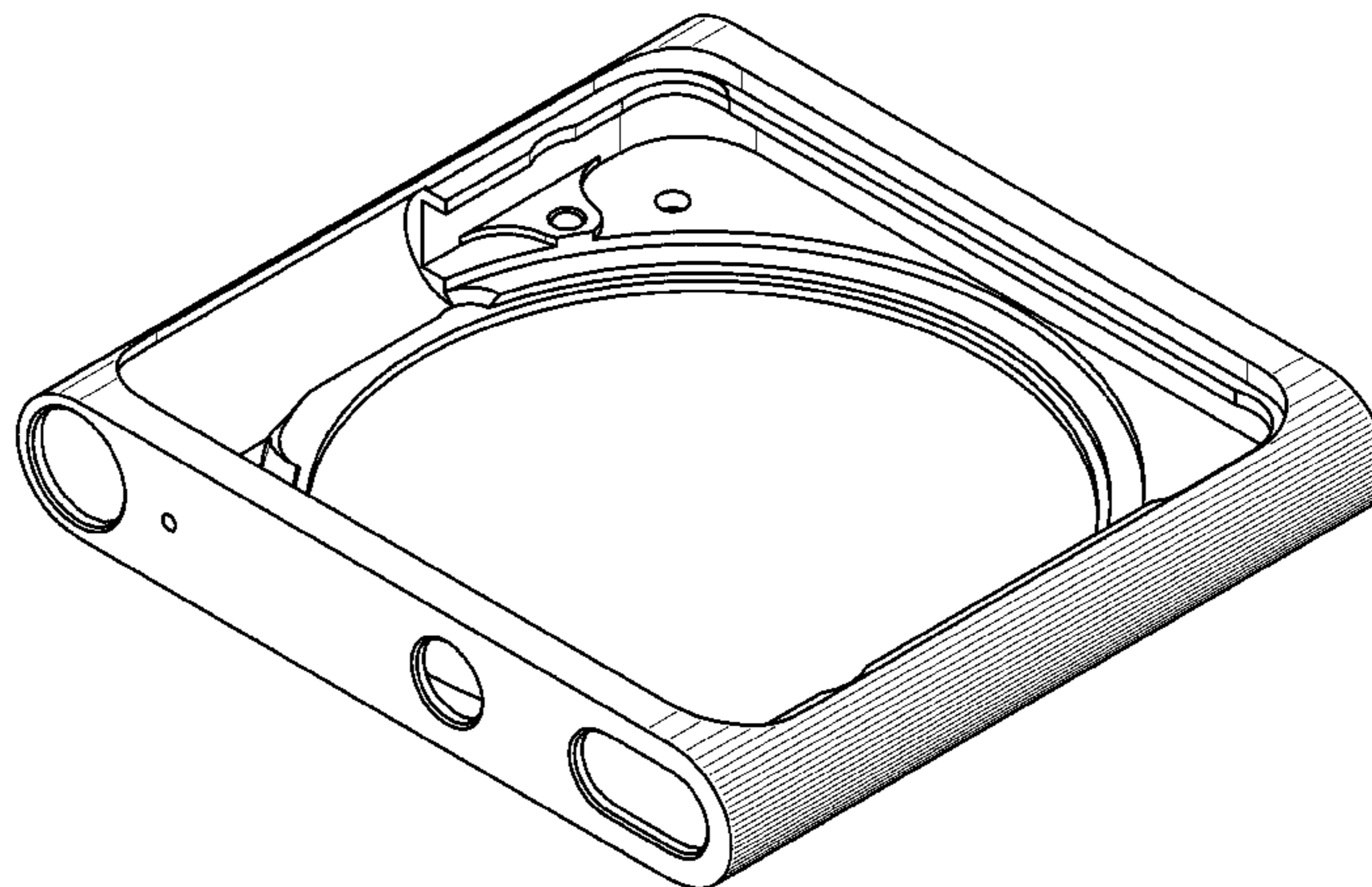
(58) **Field of Classification Search** D14/496,
D14/401, 435, 474, 483, 217, 137, 138, 160,
D14/168, 356, 203.1–203.8, 507; 345/156,
345/169, 173–179, 905; 715/727–729, 864;
710/1, 5, 8; 713/1, 600; 455/1.1, 1.7, 73,

(57) **CLAIM**
The ornamental design for a housing for an electronic device, as shown and described.

DESCRIPTION

FIG. 1 is a rear top perspective view of a housing for an electronic device showing our new design;
FIG. 2 is a front bottom perspective view thereof;
FIG. 3 is a rear view thereof;
FIG. 4 is a front view thereof;
FIG. 5 is a bottom view thereof;
FIG. 6 is top view thereof;
FIG. 7 is a side view thereof; and,
FIG. 8 is another side view thereof.
The shade lines in the Figures show contour and not surface ornamentation.

1 Claim, 6 Drawing Sheets



US D647,107 S

Page 2

U.S. PATENT DOCUMENTS

D345,304 S	3/1994	Leader	
6,122,526 A *	9/2000	Parulski et al.	455/556.1
D432,523 S	10/2000	Grinkus et al.	
D441,735 S	5/2001	Katayama	
D446,499 S	8/2001	Andre et al.	
6,354,477 B1 *	3/2002	Trummer	224/575
D473,207 S	4/2003	Tanio	
6,567,011 B1 *	5/2003	Young et al.	340/12.28
6,595,860 B1 *	7/2003	Yamamoto et al.	463/43
D478,076 S *	8/2003	Hong	D14/345
D503,409 S	3/2005	Wong et al.	
D506,476 S	6/2005	Andre et al.	
D515,545 S	2/2006	Griffin	
D516,579 S	3/2006	Nakamura	
7,013,164 B2	3/2006	Lin	
D520,502 S	5/2006	Xu et al.	
D534,184 S	12/2006	Leija et al.	
D534,545 S	1/2007	Leija et al.	
D539,814 S	4/2007	Andre et al.	
D551,680 S	9/2007	Andre et al.	
D555,171 S *	11/2007	Dai	D14/496
D559,860 S	1/2008	Andre et al.	
D559,861 S	1/2008	Andre et al.	
D560,228 S	1/2008	Andre et al.	
D563,434 S *	3/2008	Dai	D14/496
D568,338 S	5/2008	Andre et al.	
D569,389 S	5/2008	Andre et al.	
D570,876 S	6/2008	Lee	
D574,014 S	7/2008	Dai	
D575,304 S	8/2008	Andre et al.	
D577,990 S	10/2008	Andre et al.	
D579,952 S	11/2008	Yamada	
D580,953 S	11/2008	Andre et al.	
D585,077 S	1/2009	Sheba et al.	
D586,740 S	2/2009	Song	
D586,741 S	2/2009	Song	
D588,545 S	3/2009	Andre et al.	
D589,530 S	3/2009	Andre et al.	
D590,826 S *	4/2009	Andre et al.	D14/341
D591,766 S	5/2009	Andre et al.	
D592,677 S	5/2009	Sheba et al.	
D593,994 S	6/2009	Andre et al.	
D597,090 S	7/2009	Bemelmans	
D597,558 S	8/2009	Andre et al.	
D601,172 S	9/2009	Andre et al.	
D606,040 S	12/2009	Andre et al.	
D608,342 S	1/2010	Andre et al.	
D616,899 S	6/2010	Andre et al.	
D618,206 S	6/2010	Andre et al.	
D618,207 S	6/2010	Andre et al.	
D627,367 S	11/2010	Andre et al.	
D629,789 S	12/2010	Andre et al.	
2005/0049015 A1	3/2005	Wang	

OTHER PUBLICATIONS

U.S. Appl. No. 29/380,889, Andre et al., "Media Device", filed Dec. 13, 2010.
U.S. Appl. No. 29/384,096, Andre et al., "Media Device", filed Jan. 26, 2011.

* cited by examiner

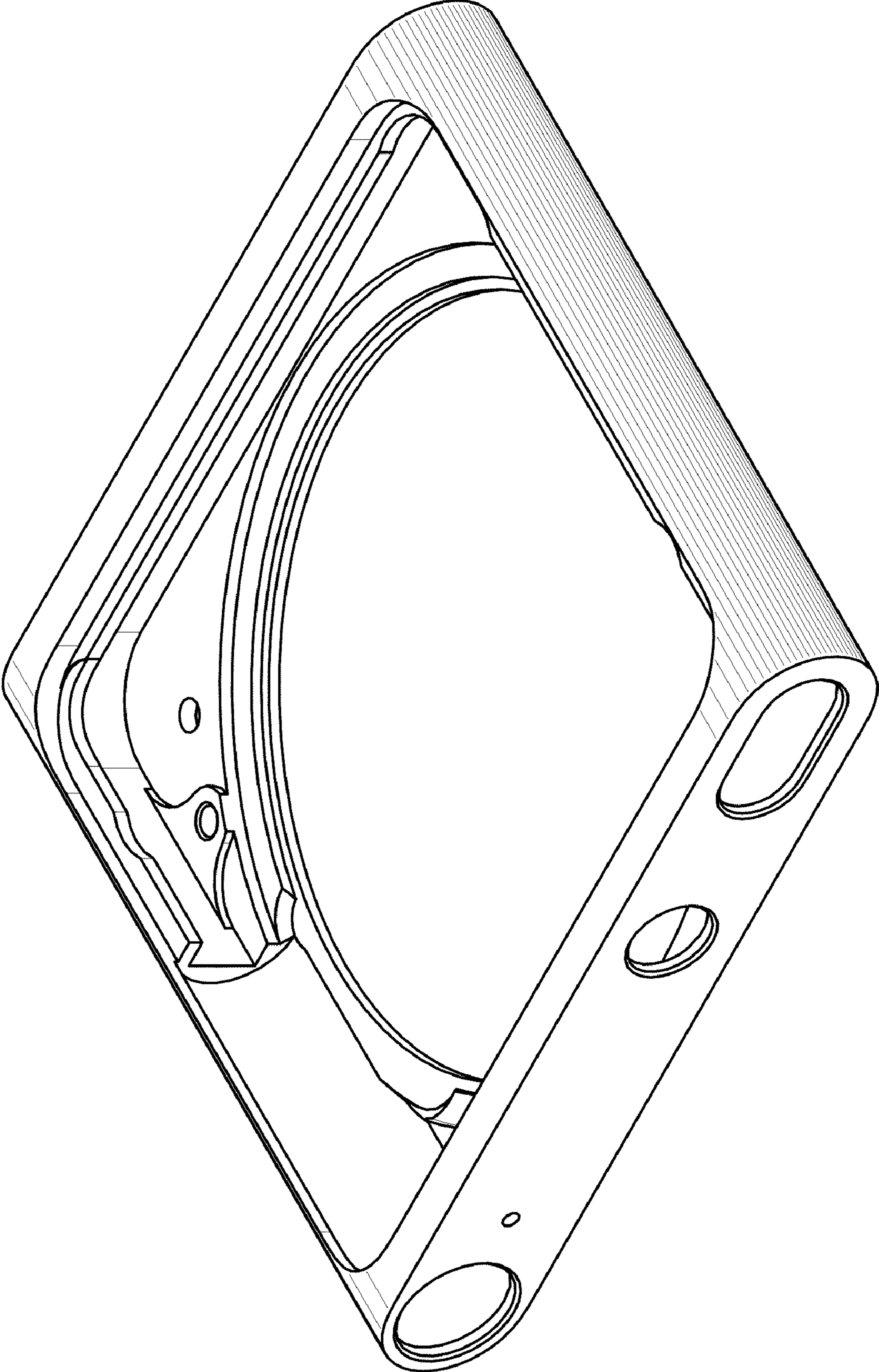


FIG. 1

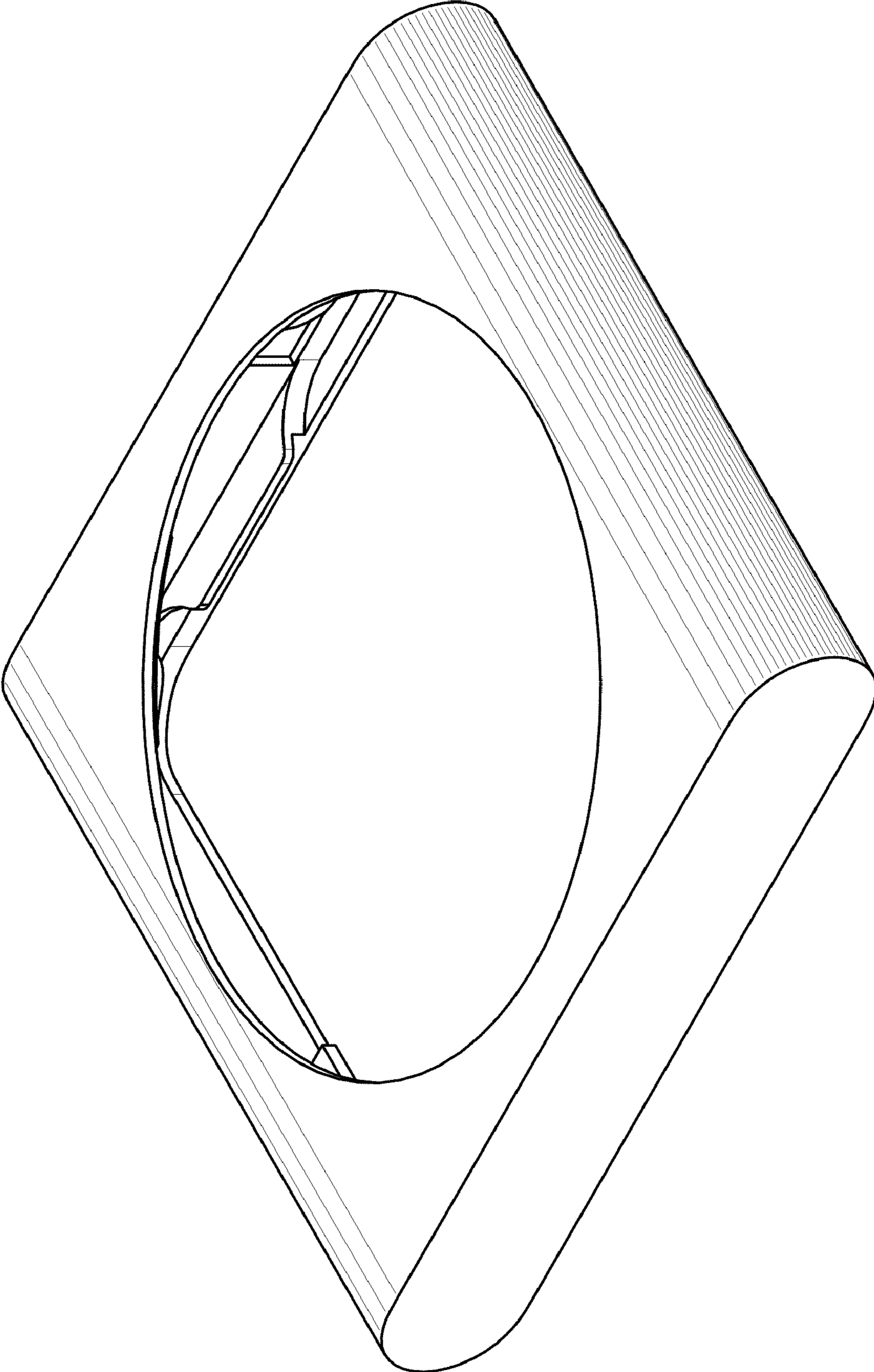


FIG.2

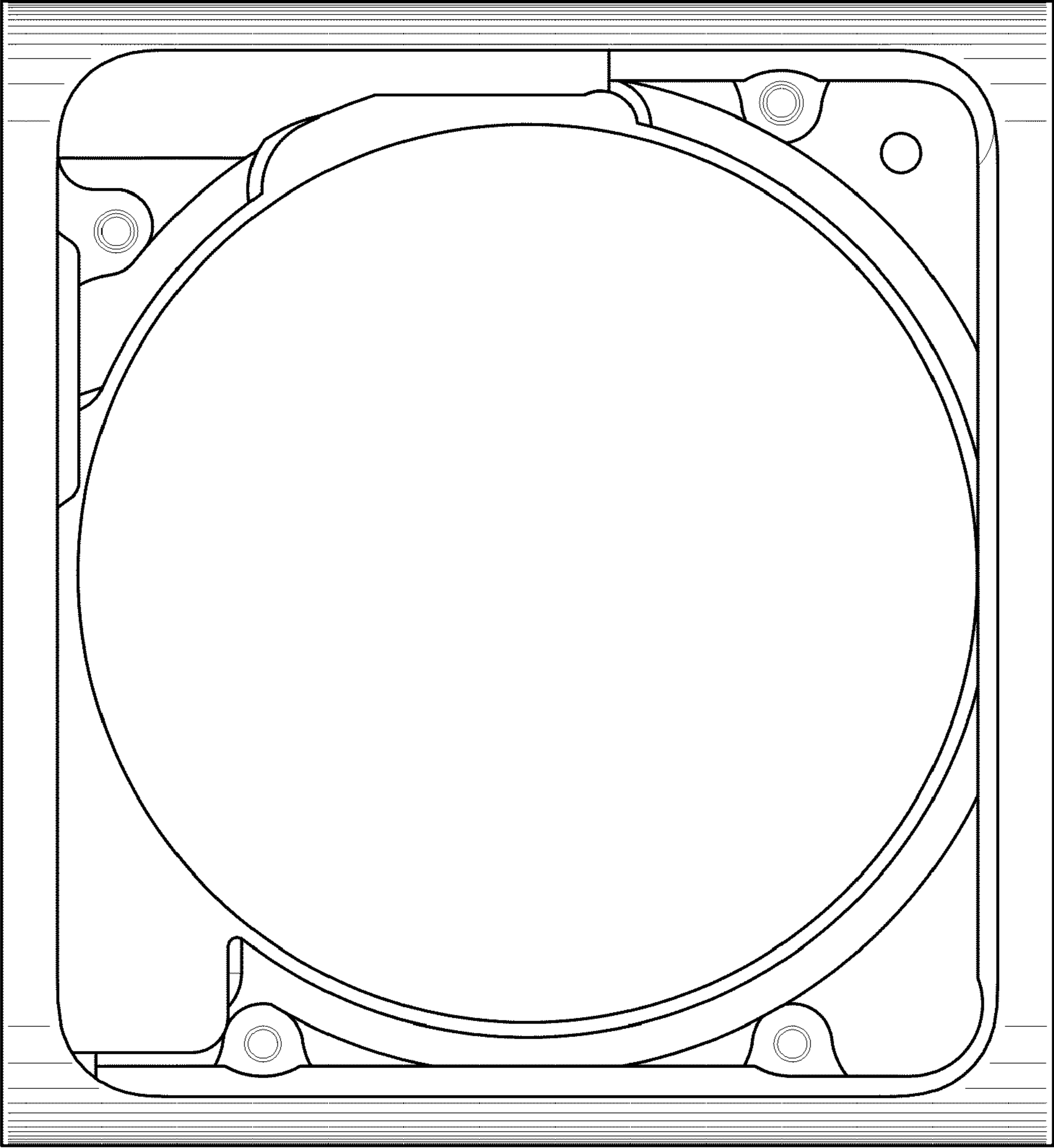


FIG.3

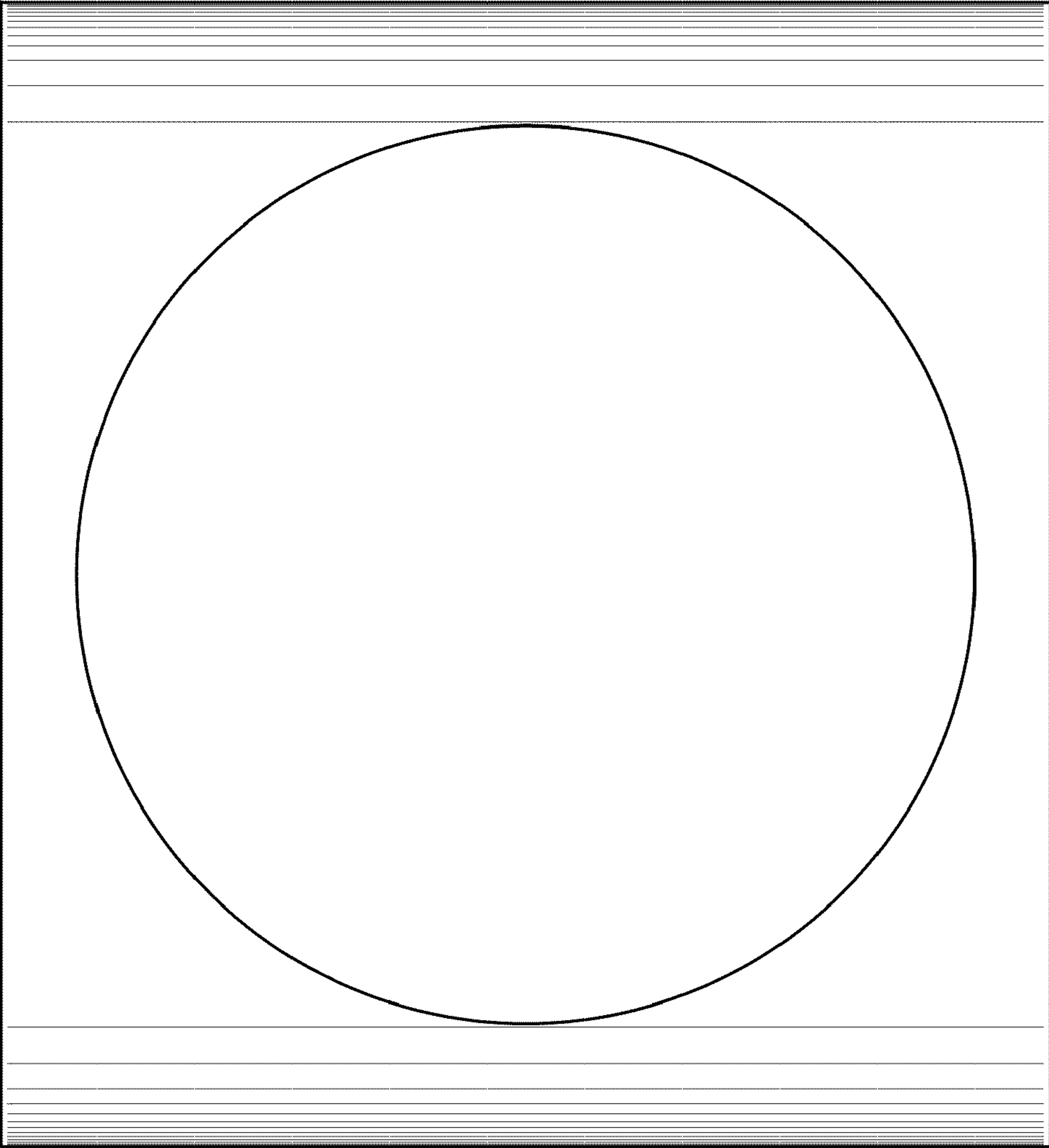


FIG.4

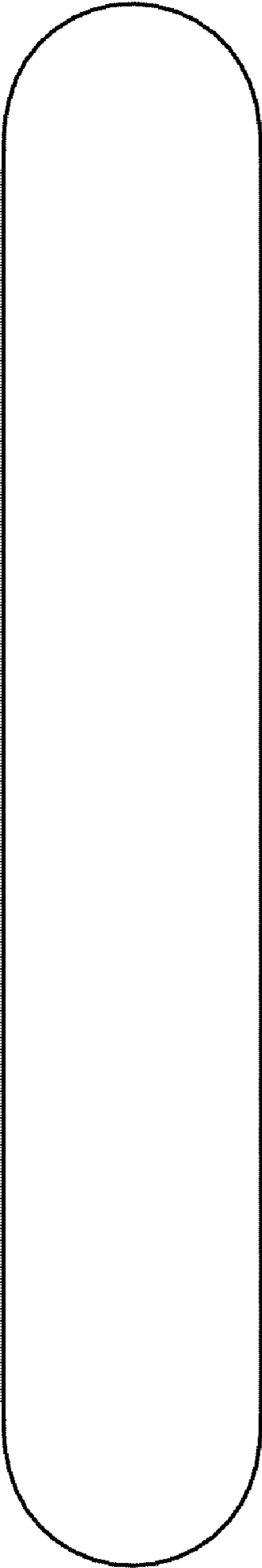


FIG. 5

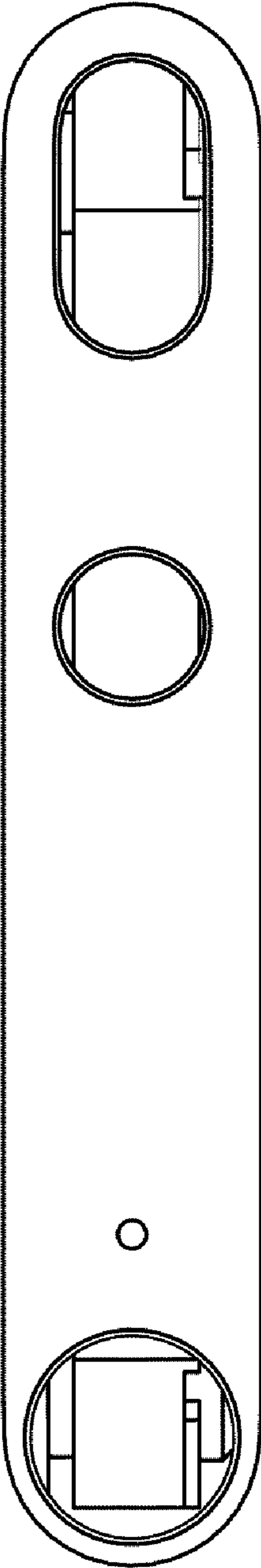


FIG. 6

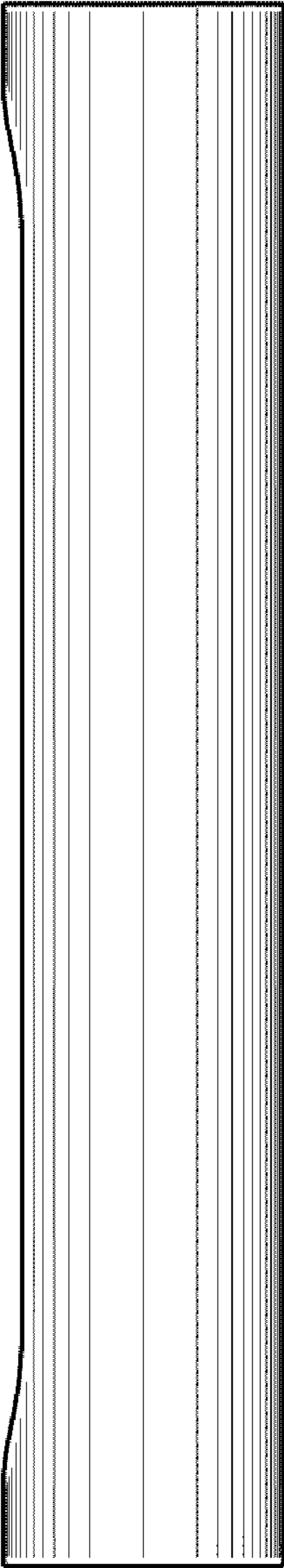


FIG. 7

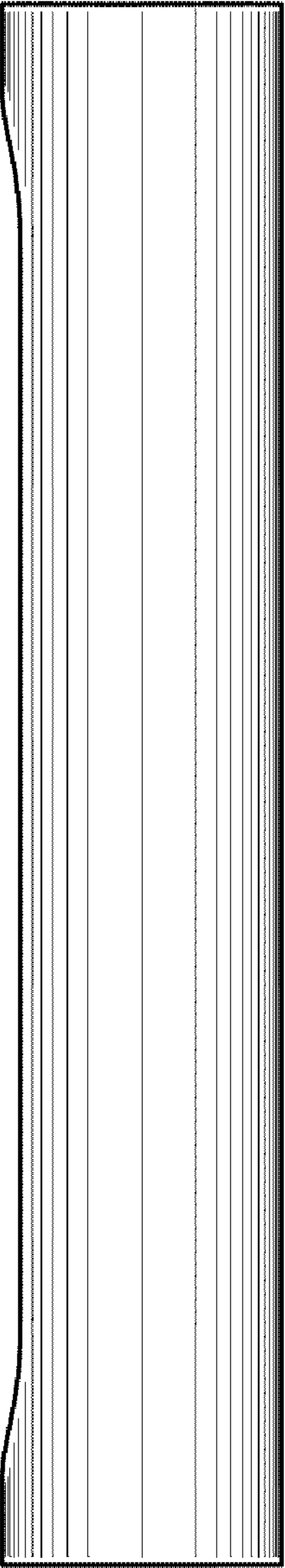


FIG. 8