



US00D647106S

(12) **United States Design Patent**
Akana et al.

(10) **Patent No.:** **US D647,106 S**
(45) **Date of Patent:** **** Oct. 18, 2011**

(54) **DISPLAY MODULE FOR AN ELECTRONIC DEVICE**

(75) Inventors: **Jody Akana**, San Francisco, CA (US); **Bartley K. Andre**, Menlo Park, CA (US); **Jeremy Bataillou**, San Francisco, CA (US); **Daniel J. Coster**, San Francisco, CA (US); **Daniele De Iuliis**, San Francisco, CA (US); **Evans Hankey**, San Francisco, CA (US); **Richard P. Howarth**, San Francisco, CA (US); **Jonathan P. Ive**, San Francisco, CA (US); **Duncan Robert Kerr**, San Francisco, CA (US); **Stephen Brian Lynch**, Portola Valley, CA (US); **Shin Nishibori**, Portola Valley, CA (US); **Matthew Dean Rohrbach**, San Francisco, CA (US); **Peter Russell-Clarke**, San Francisco, CA (US); **Emery Artemus Sanford**, San Francisco, CA (US); **Christopher J. Stringer**, Woodside, CA (US); **Eugene Antony Whang**, San Francisco, CA (US); **Rico Zorkendorfer**, San Francisco, CA (US)

(73) Assignee: **Apple Inc.**, Cupertino, CA (US)

(**) Term: **14 Years**

(21) Appl. No.: **29/368,957**

(22) Filed: **Aug. 31, 2010**

Related U.S. Application Data

(62) Division of application No. 29/367,996, filed on Aug. 16, 2010, now Pat. No. Des. 638,030.

(51) **LOC (9) Cl.** **14-03**

(52) **U.S. Cl.** **D14/496; D14/203.3**

(58) **Field of Classification Search** D14/496, D14/401, 435, 474, 483, 217, 137, 138, 160, D14/168, 356, 203.1-203.8, 507; 345/156, 345/169, 173-179, 905; 715/727-729, 864; 710/1, 5, 8; 713/1, 600; 455/1.1, 1.7, 73, 455/344-347, 93, 95, 3.01-3.06, 550.1, 573.1; 370/342-344; 369/1, 2, 6-12; 463/43-47; 273/148 B

See application file for complete search history.

(56) **References Cited**

U.S. PATENT DOCUMENTS

4,959,810	A *	9/1990	Darbee et al.	398/112
5,081,534	A *	1/1992	Geiger et al.	348/734
D340,701	S *	10/1993	Takeuchi	D14/341
D361,552	S *	8/1995	Iino	D14/341
D371,387	S *	7/1996	Woock	D19/20
D379,090	S *	5/1997	Maekawa et al.	D14/374
5,665,938	A *	9/1997	Boshear et al.	174/50
5,715,622	A *	2/1998	Giordano, Jr.	40/661.03
5,808,862	A *	9/1998	Robbins	361/679.09
D408,794	S *	4/1999	Ogasawara	D14/341
5,953,144	A *	9/1999	Darbee et al.	398/112
6,040,829	A *	3/2000	Croy et al.	715/864
D441,735	S	5/2001	Katayama	
D459,339	S	6/2002	Tong	
6,567,011	B1	5/2003	Young et al.	
D478,076	S	8/2003	Hong	
D488,472	S	4/2004	Haase et al.	
D517,065	S	3/2006	Ko et al.	
7,055,271	B2 *	6/2006	Lutz et al.	40/605
D546,202	S	7/2007	Chang	
D556,193	S	11/2007	Laituri et al.	

* cited by examiner

Primary Examiner — Prabhakar Deshmukh

(74) *Attorney, Agent, or Firm* — Sterne, Kessler, Goldstein & Fox PLLC

(57) **CLAIM**

The ornamental design for a display module for an electronic device, as shown and described.

DESCRIPTION

FIG. 1 is a front bottom perspective view of a display module for an electronic device showing our new design;

FIG. 2 is a front view thereof;

FIG. 3 is a rear view thereof;

FIG. 4 is a bottom view thereof;

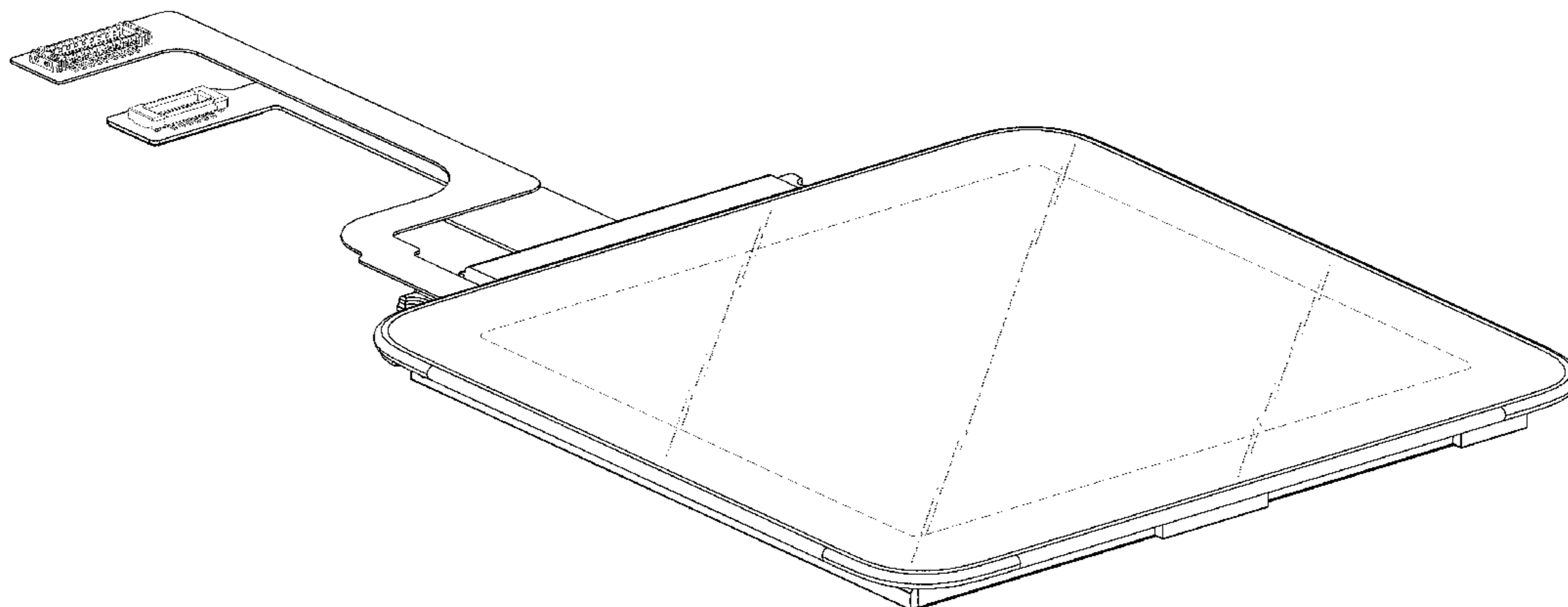
FIG. 5 is a top view thereof;

FIG. 6 is a side view thereof; and,

FIG. 7 is another side view thereof.

The shade lines in the Figures show transparency. The broken lines in the Figures show portions of the display module for an electronic device which form no part of the claimed design.

1 Claim, 5 Drawing Sheets



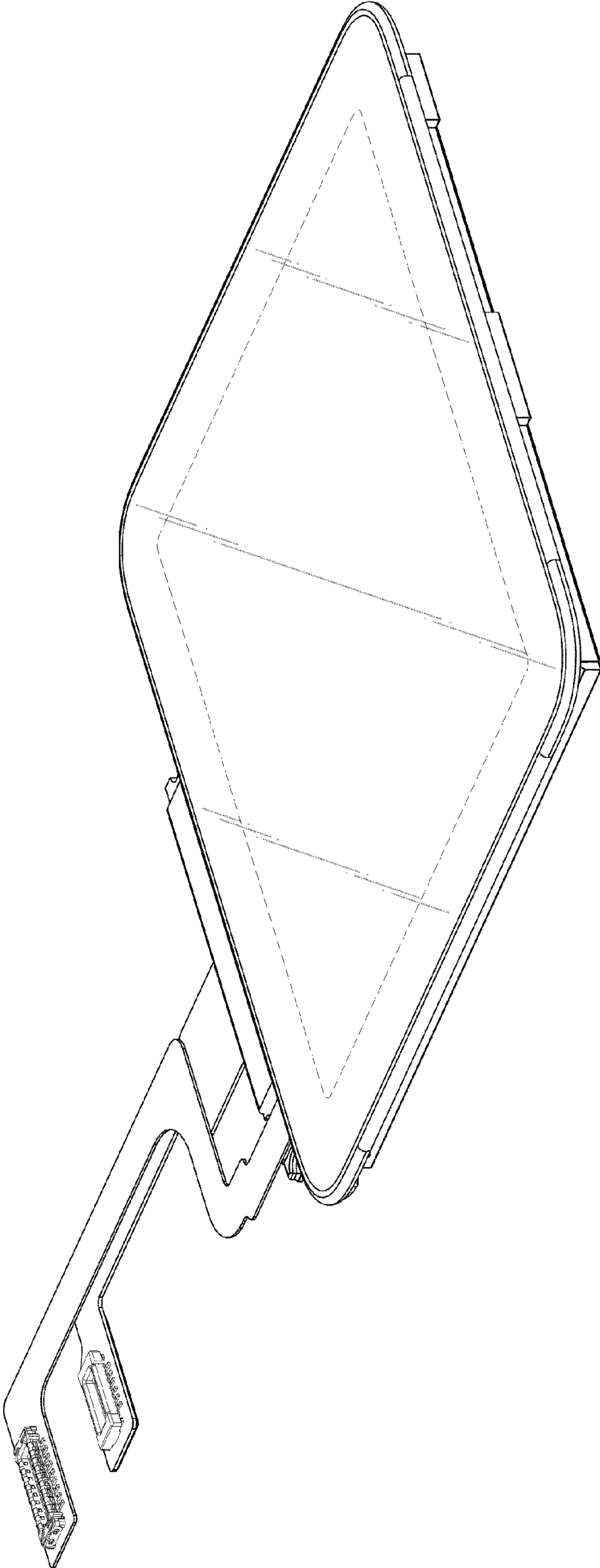


FIG.1

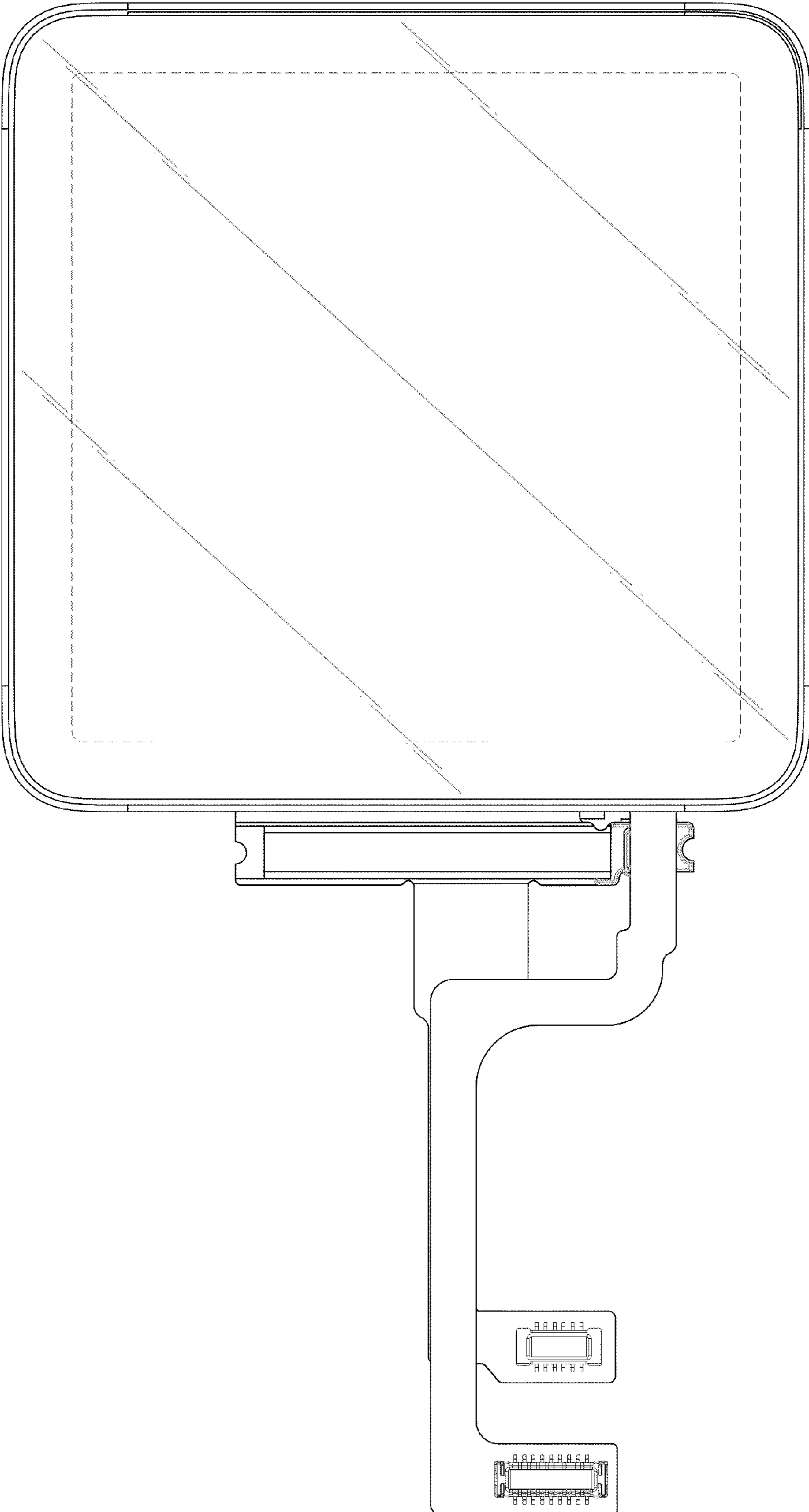


FIG.2

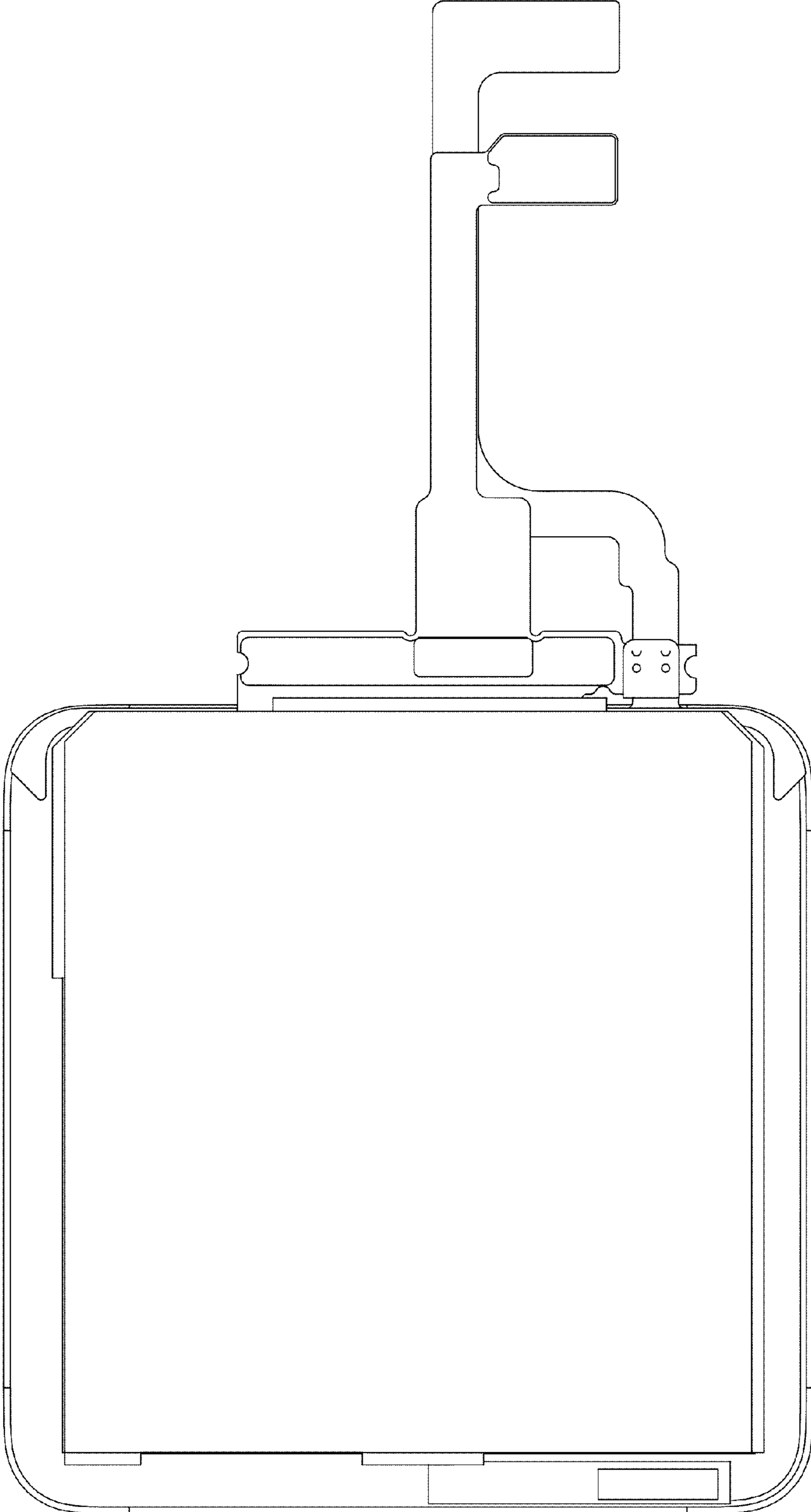


FIG.3

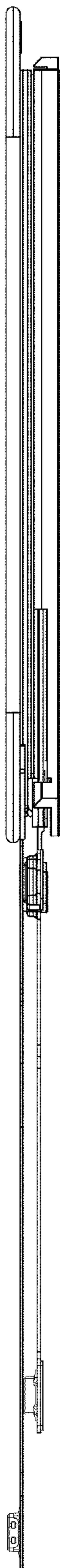


FIG. 4

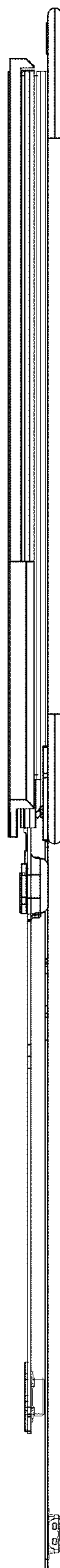


FIG. 5

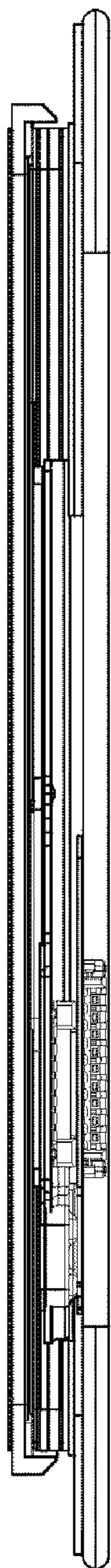


FIG. 6



FIG. 7