



US00D647100S

(12) **United States Design Patent**  
**Huang**

(10) **Patent No.:** **US D647,100 S**

(45) **Date of Patent:** **\*\* Oct. 18, 2011**

(54) **FLASH DRIVE**

(75) Inventor: **Chih-Hua Huang**, Shulin (TW)

(73) Assignee: **Askey Computer Corp.** (TW)

(\*\*) Term: **14 Years**

(21) Appl. No.: **29/369,720**

(22) Filed: **Sep. 13, 2010**

(30) **Foreign Application Priority Data**

Aug. 24, 2010 (TW) ..... 99304227

(51) **LOC (9) Cl.** ..... **14-02**

(52) **U.S. Cl.** ..... **D14/480.7**

(58) **Field of Classification Search** ..... D14/411,  
D14/433, 435.1, 436, 480.1-480.7, 484.1,  
D14/137, 155, 203.1-203.8, 240; D3/201,  
D3/273; D13/107, 108, 133, 154, 184; 710/300,  
710/301; 439/131, 135-147

See application file for complete search history.

(56) **References Cited**

**U.S. PATENT DOCUMENTS**

D271,970	S	*	12/1983	Velsher et al.	.....	D14/140.5
7,153,148	B2	*	12/2006	Chen et al.	.....	439/141
D547,311	S	*	7/2007	Chen et al.	.....	D14/480.7
D552,592	S	*	10/2007	Deguchi	.....	D14/480.7
D602,026	S	*	10/2009	Lo	.....	D14/480.7
D616,449	S	*	5/2010	Lo	.....	D14/480.7
D617,331	S	*	6/2010	Lo	.....	D14/480.7
D620,017	S	*	7/2010	Lo	.....	D14/480.7
D620,946	S	*	8/2010	Lo	.....	D14/480.5
2010/0124831	A1	*	5/2010	Chou et al.	.....	439/131
2010/0315762	A1	*	12/2010	Lo	.....	361/600

**FOREIGN PATENT DOCUMENTS**

TW D131905 11/2009

**OTHER PUBLICATIONS**

Techtree.com India > Reviews > Mobile Computing > Portable Storage > Kingston DataTraveler 200 64GB: USB Flash Drive, pp. 1 and 3 [online] posted Sep. 25, 2009 [retrieved on May 17, 2010]. Retrieved from the Internet <URL: [http://www.techtree.com/techtree/jsp/article.jsp?print=1&article\\_id=106549&cat\\_id=611](http://www.techtree.com/techtree/jsp/article.jsp?print=1&article_id=106549&cat_id=611)>.\*

CellMate Single-Slt Multi-Card Reader Manufacturer, [online], [retrieved on Jan. 8, 2007]. Retrieved from the Internet <URL: <http://www.globalsources.com/gsol/1/Memory-card/p/bg/1000647651.htm>>.\*

Concise Explanation of Relevance for non-English Language Information, Translation of Search Report from TIPO, 1 page.

\* cited by examiner

*Primary Examiner* — Cathron Brooks

*Assistant Examiner* — Karen E Kearney

(74) *Attorney, Agent, or Firm* — Schmeiser, Olsen & Watts, LLP

(57) **CLAIM**

The ornamental design for a flash drive, as shown and described.

**DESCRIPTION**

FIG. 1 is a perspective view of a flash drive showing my new design;

FIG. 2 is a front elevation thereof;

FIG. 3 is a rear elevation thereof;

FIG. 4 is a left side elevation thereof;

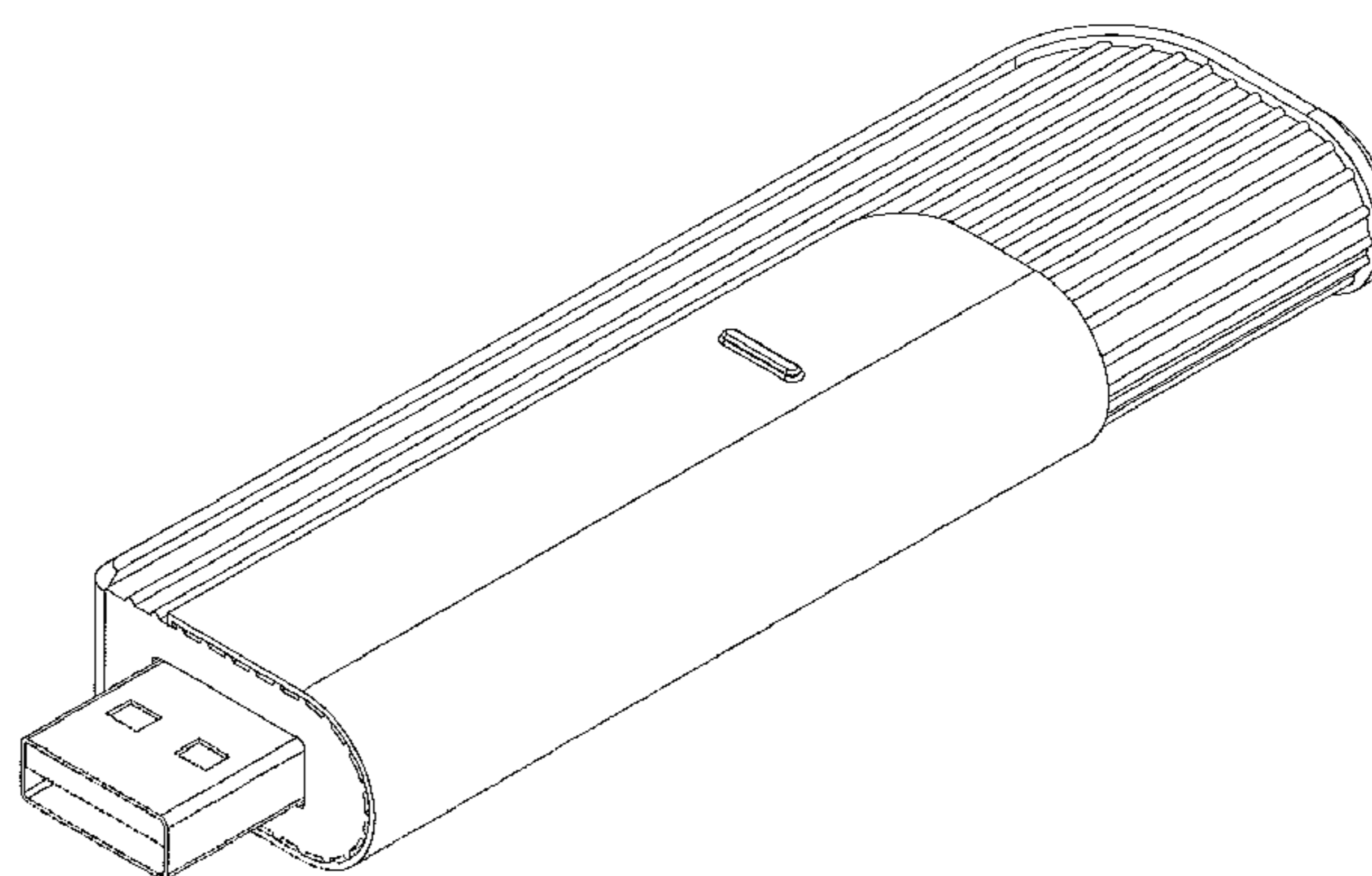
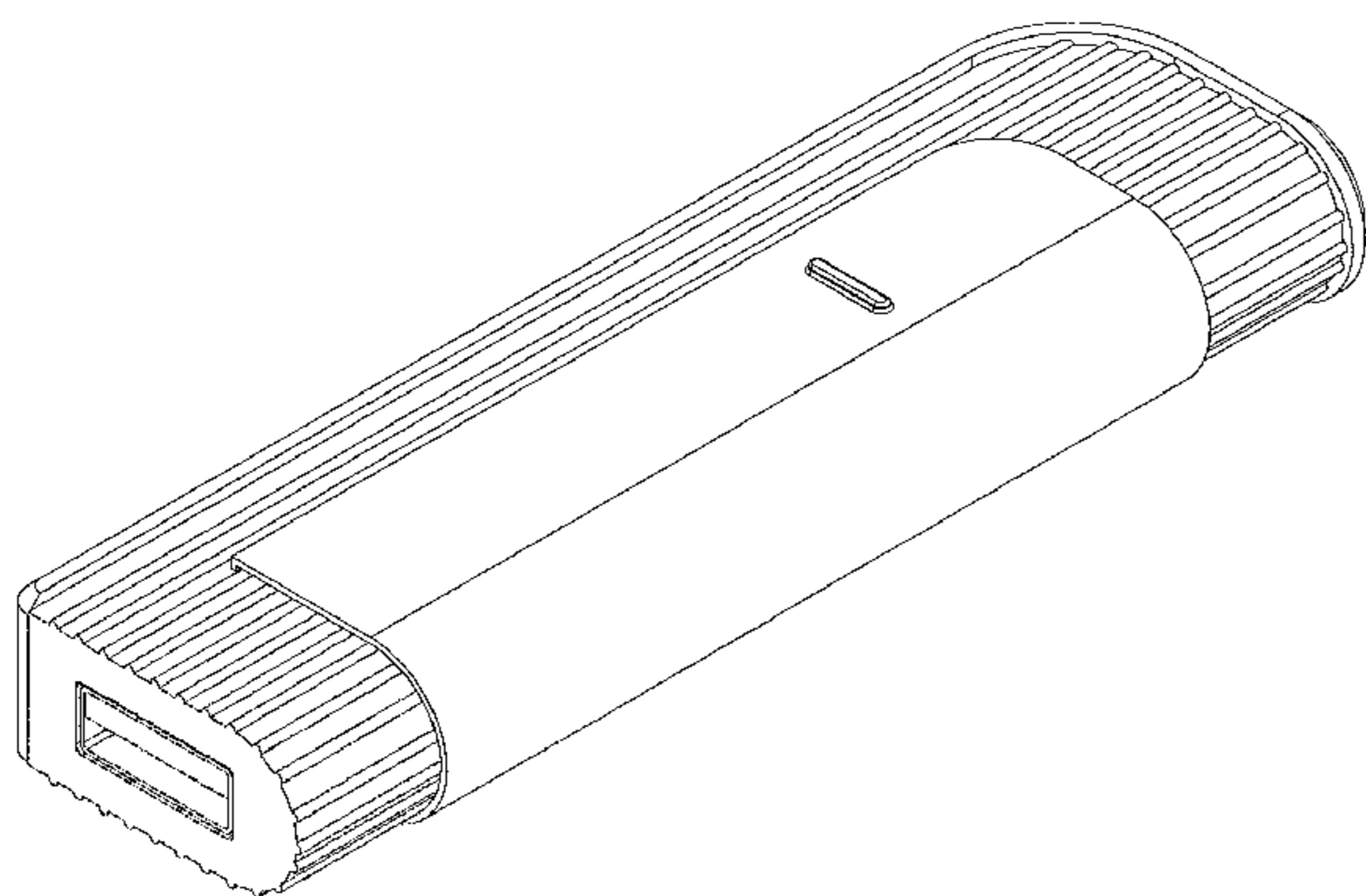
FIG. 5 is a right side elevation thereof;

FIG. 6 is a top plan view thereof;

FIG. 7 is a bottom plan view thereof; and,

FIG. 8 is a perspective view showing the flash drive in a position of use.

**1 Claim, 5 Drawing Sheets**



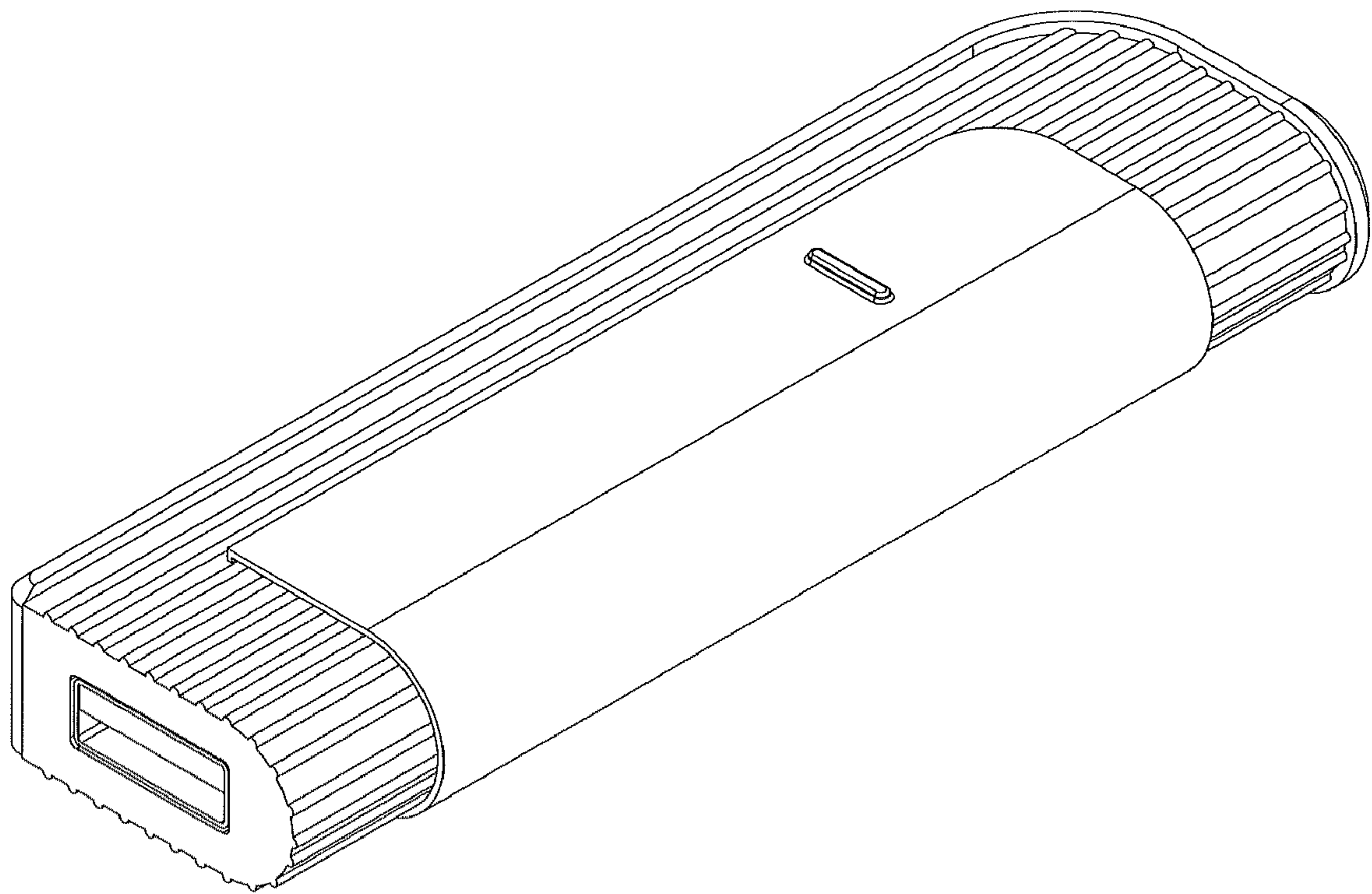


Fig. 1

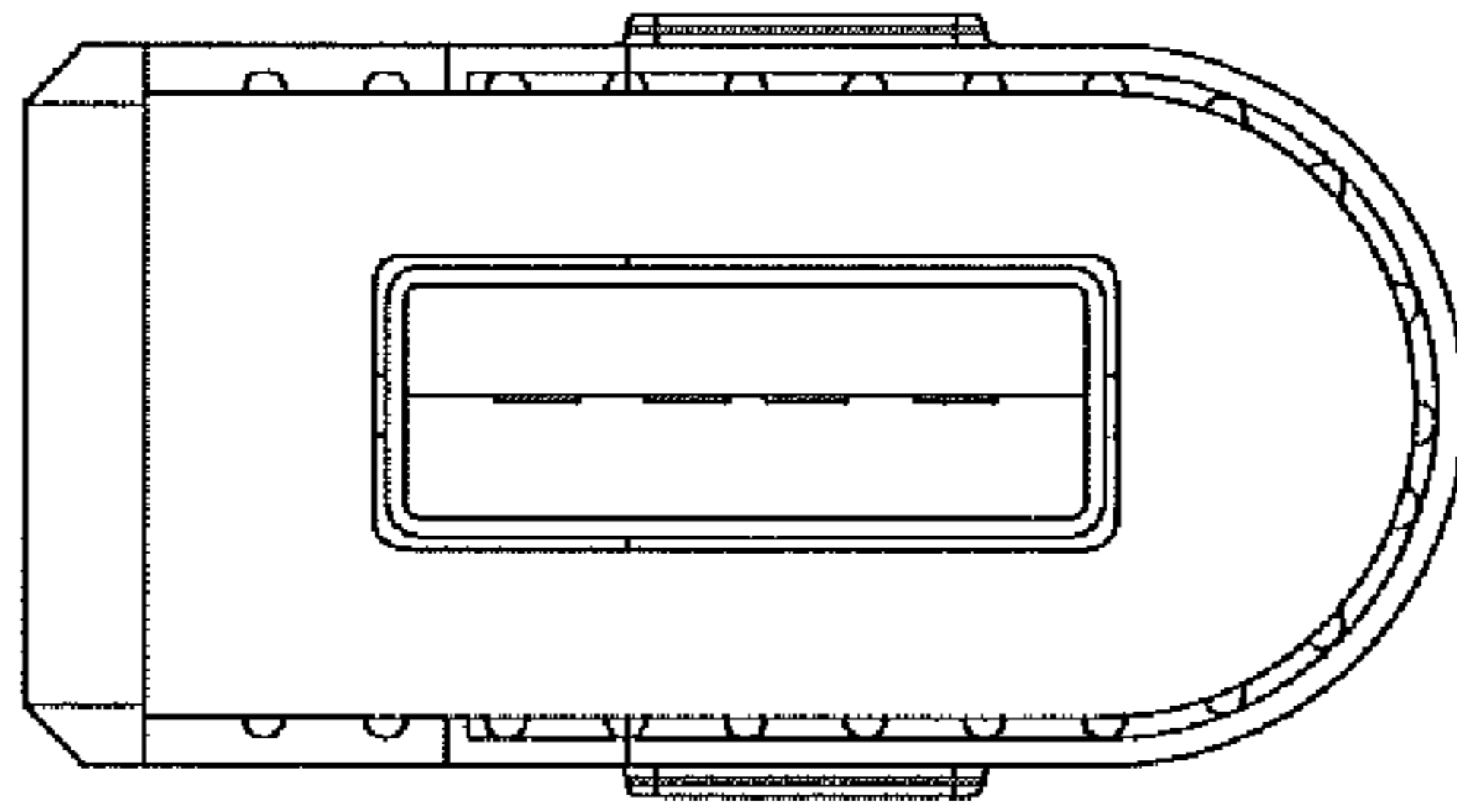


Fig. 2

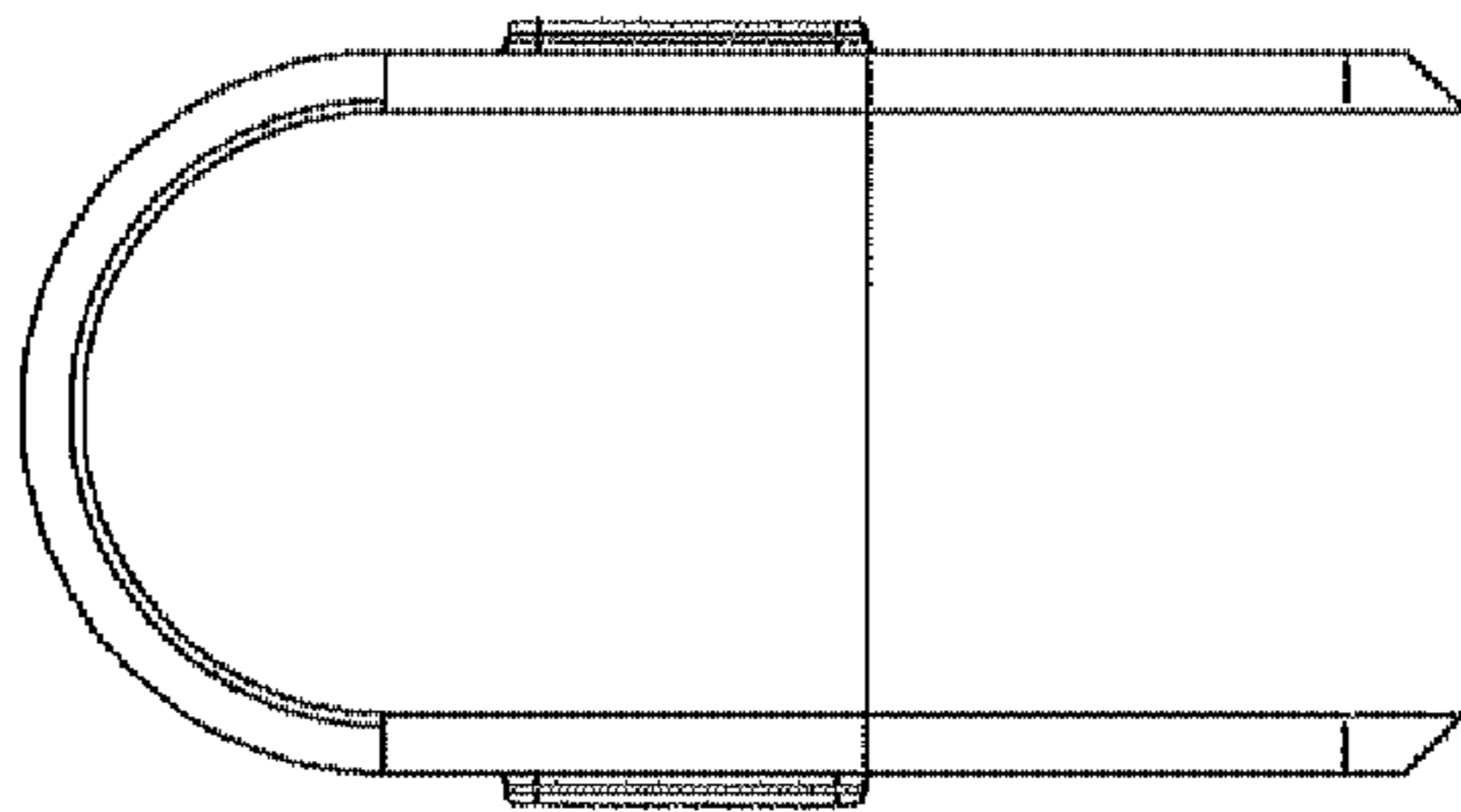


Fig. 3

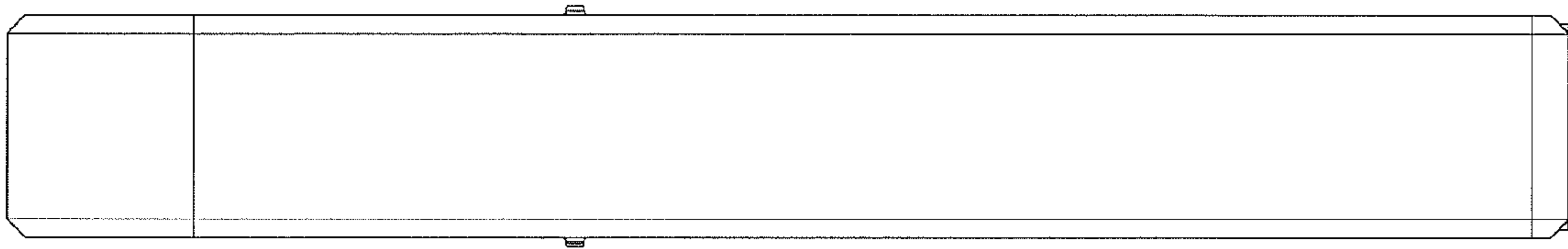


Fig. 4

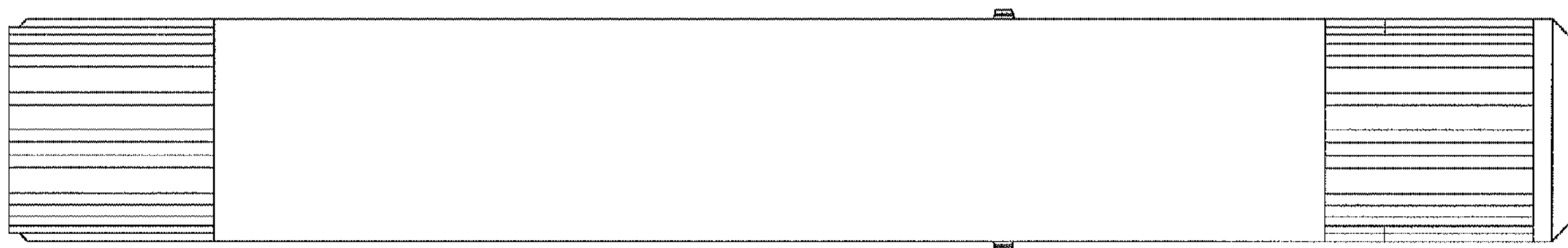


Fig. 5

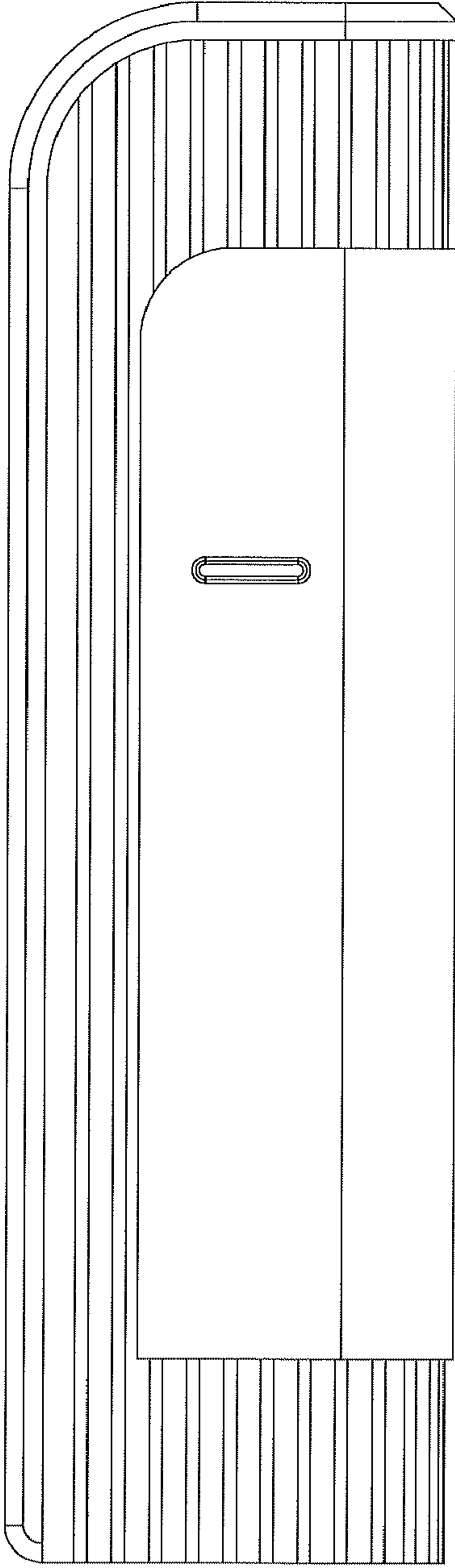


Fig. 6

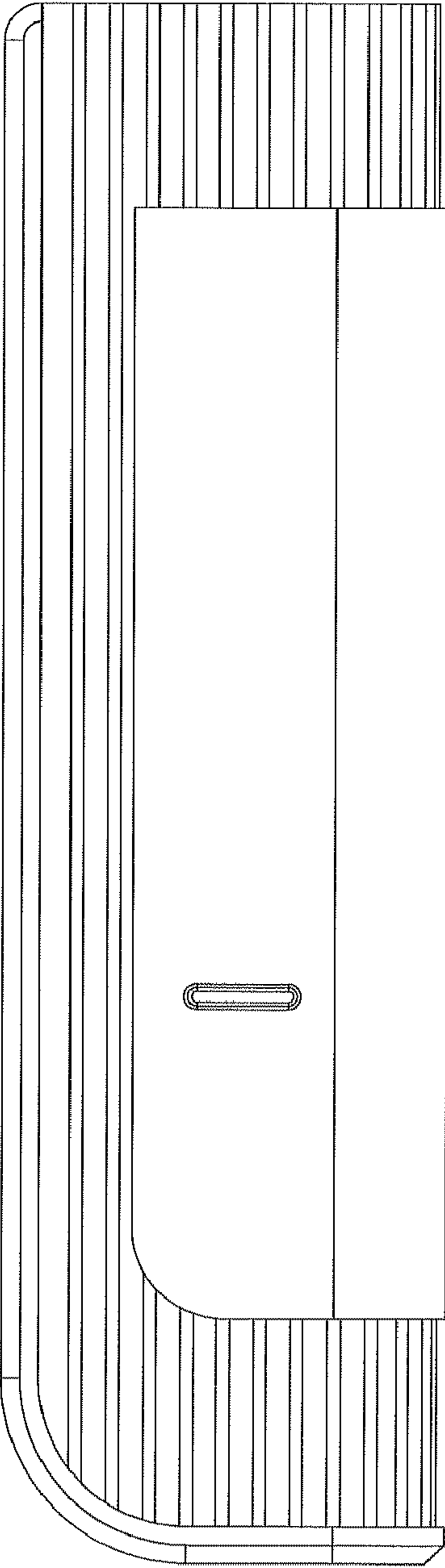


Fig. 7

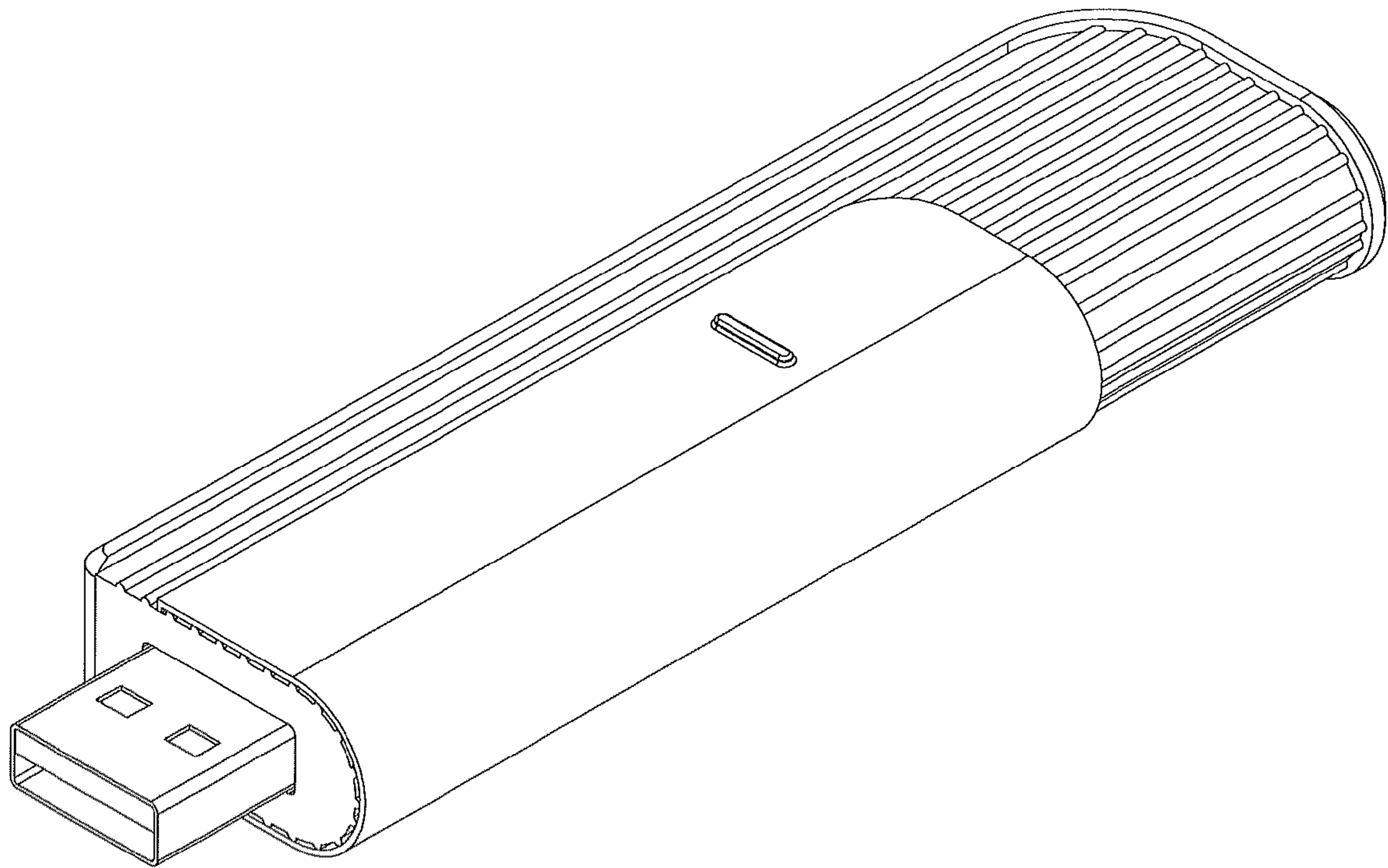


Fig. 8