



US00D647097S

(12) **United States Design Patent**  
**Tung et al.**

(10) **Patent No.:** **US D647,097 S**

(45) **Date of Patent:** **\*\* Oct. 18, 2011**

(54) **MEMORY CARD**

(75) Inventors: **Yueh Ming Tung**, Kaohsiung County (TW); **Chia Ming Yang**, Tainan (TW); **Hsiu Fang Tsai**, Kaohsiung County (TW); **Shu Hui Lin**, Kaohsiung County (TW); **Hung Lin Chiang**, Kaohsiung (TW)

(73) Assignee: **Orient Semiconductor Electronics, Limited**, Kaohsiung (TW)

(\*\*) Term: **14 Years**

(21) Appl. No.: **29/379,019**

(22) Filed: **Nov. 12, 2010**

(51) **LOC (9) Cl.** ..... **14-02**

(52) **U.S. Cl.** ..... **D14/480.1; D14/436**

(58) **Field of Classification Search** ..... D14/411, D14/433, 435.1, 436, 480.1–480.7, 484.1, D14/137, 155, 203.1–203.8, 240; D3/201, D3/273; D13/107, 108, 133, 154, 184; 710/300, 710/301; 439/131, 135–147; D9/415, 457; D11/79

See application file for complete search history.

(56) **References Cited**

**U.S. PATENT DOCUMENTS**

3,157,280	A *	11/1964	Perdue et al.	.....	206/468
4,697,705	A *	10/1987	Garganese	.....	206/488
D320,159	S *	9/1991	Wallach	.....	D9/415
5,609,253	A *	3/1997	Goade, Sr.	.....	206/460
D454,062	S *	3/2002	Garrant et al.	.....	D9/415
6,561,657	B1 *	5/2003	Schofield	.....	359/838
D475,317	S *	6/2003	Fernandez	.....	D11/79
D506,697	S *	6/2005	Lathrop	.....	D11/79

D518,483	S *	4/2006	Yu et al.	.....	D14/436
D531,078	S *	10/2006	Chan	.....	D11/79
7,172,460	B2 *	2/2007	Zhao et al.	.....	439/607.56
7,232,318	B2 *	6/2007	Wang	.....	439/135
D553,130	S *	10/2007	Fiorentino et al.	.....	D14/436
D561,184	S *	2/2008	Kozenitzky et al.	.....	D14/480.1
7,335,036	B1 *	2/2008	Lin	.....	439/131
D568,389	S *	5/2008	Hammad	.....	D19/10
D574,835	S *	8/2008	Ho	.....	D14/436
D592,217	S *	5/2009	Chen	.....	D14/480.2
D594,866	S *	6/2009	Lin	.....	D14/385
7,553,172	B2 *	6/2009	Chiu et al.	.....	439/131
D616,295	S *	5/2010	Britt et al.	.....	D9/414
D616,296	S *	5/2010	Britt et al.	.....	D9/415
D625,730	S *	10/2010	Cacioppo et al.	.....	D14/435.1
7,850,465	B1 *	12/2010	Wan et al.	.....	439/79
D632,298	S *	2/2011	DePaula	.....	D14/436
2009/0227144	A1 *	9/2009	Ma	.....	439/620.15
2010/0124831	A1 *	5/2010	Chou et al.	.....	439/131
2010/0281209	A1 *	11/2010	Ni et al.	.....	711/103

\* cited by examiner

*Primary Examiner* — Cathron Brooks

*Assistant Examiner* — Karen E Kearney

(57) **CLAIM**

The ornamental design for a memory card, as shown and described.

**DESCRIPTION**

FIG. 1 is a perspective view of a memory card showing the new design;

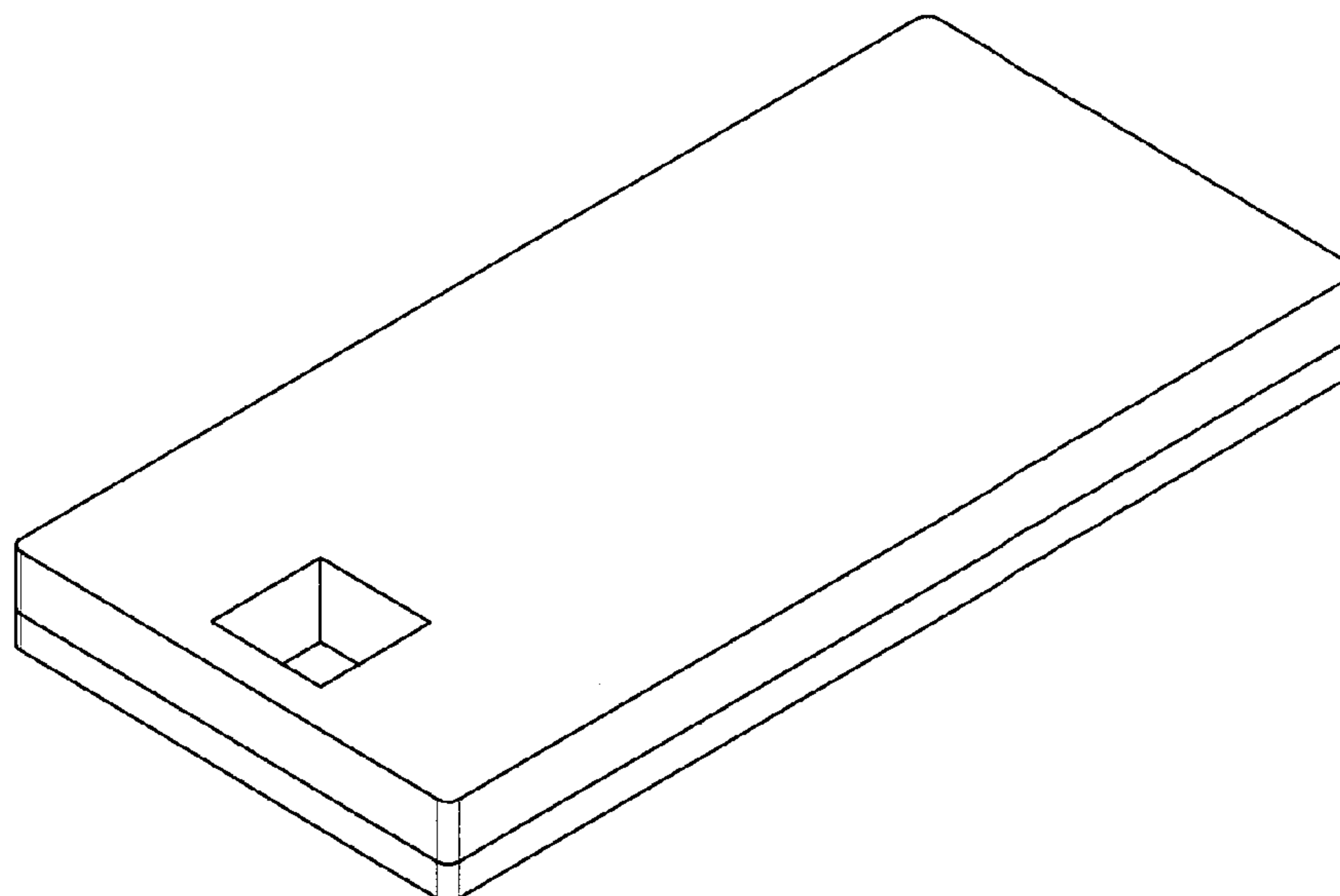
FIG. 2 is a top plan view thereof;

FIG. 3 is a bottom plan view thereof;

FIG. 4 is a front view thereof, the rear view being a mirror image thereof; and,

FIG. 5 is a left side view thereof, the right side view being a mirror image thereof.

**1 Claim, 3 Drawing Sheets**



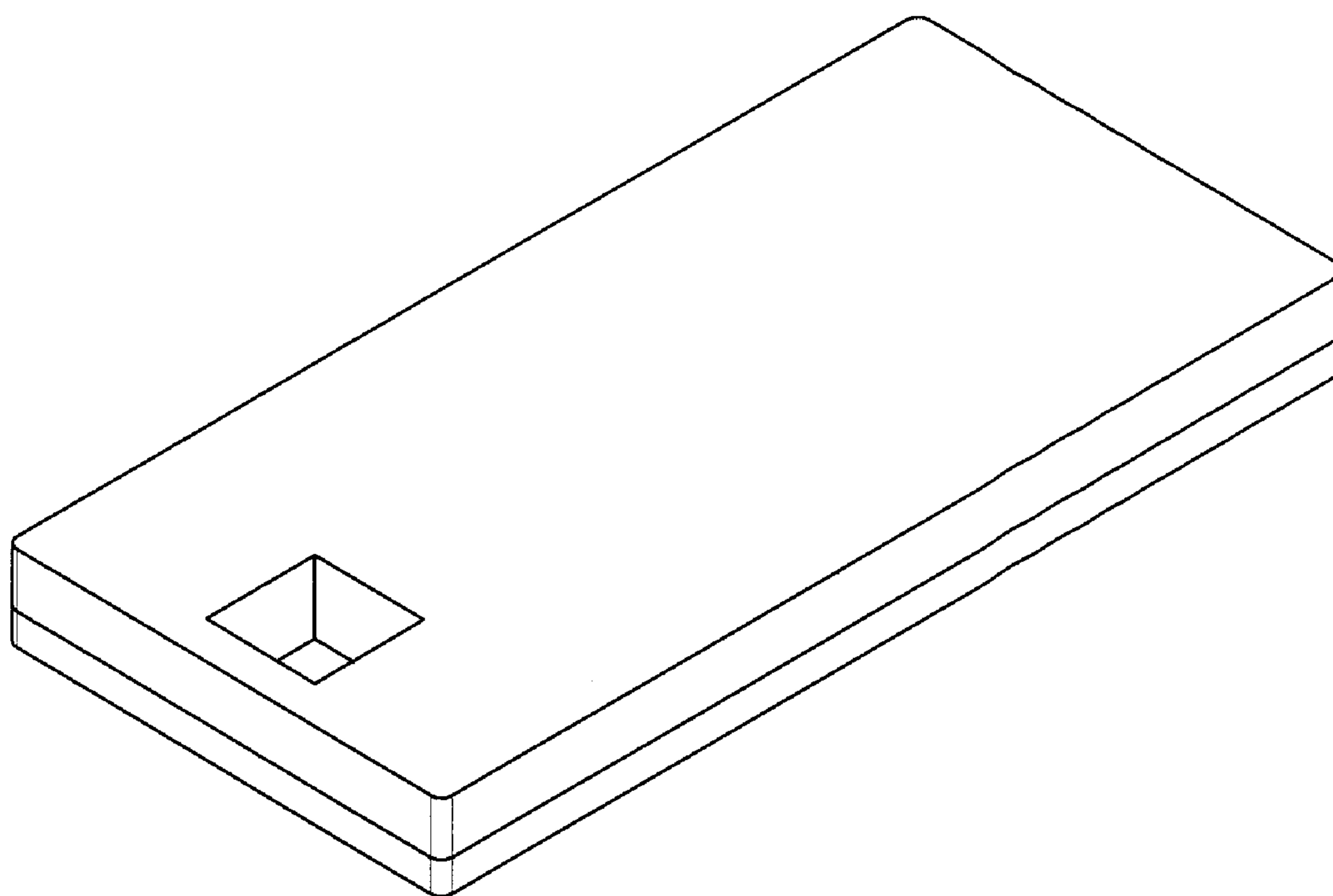


FIG. 1

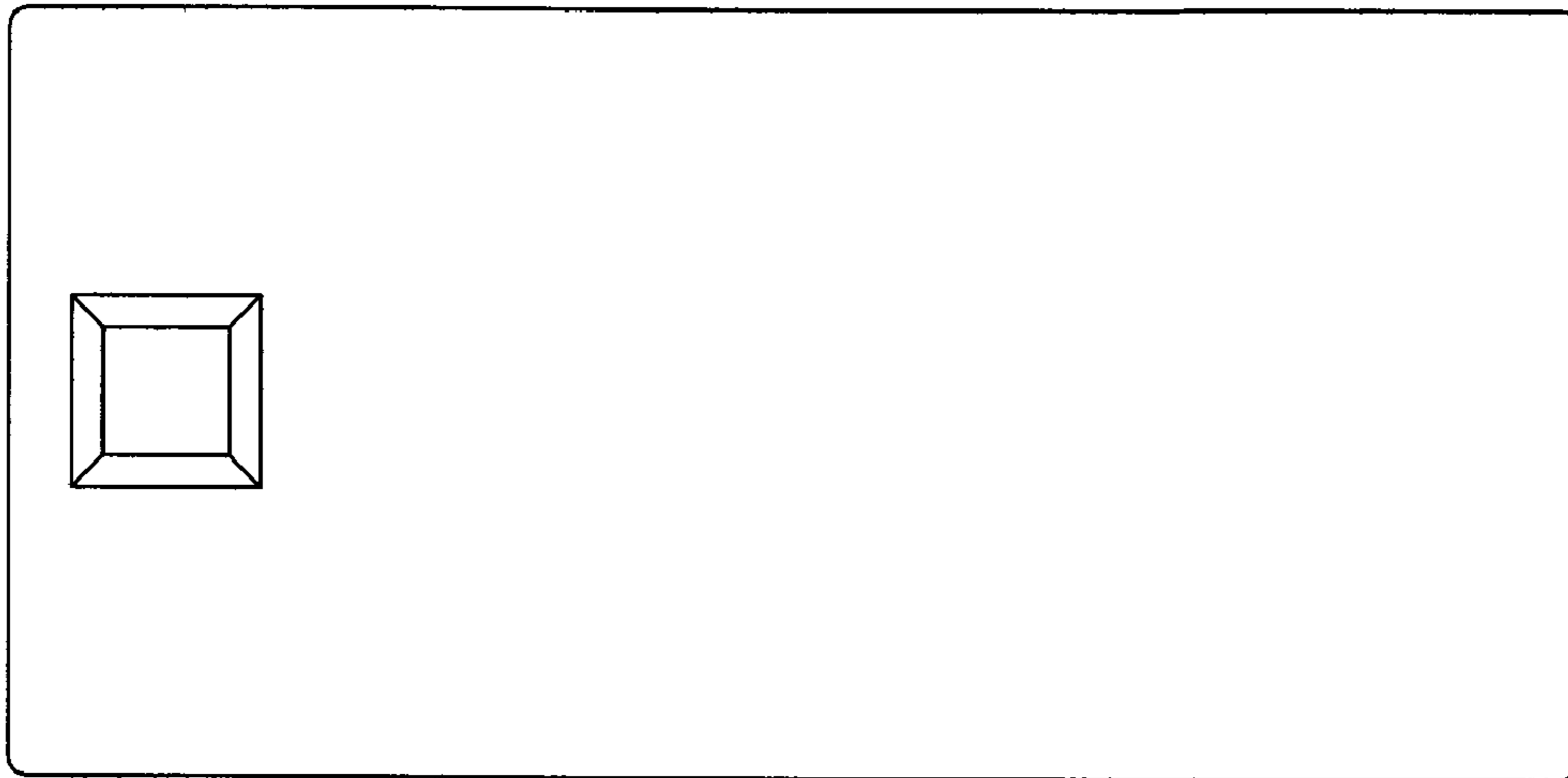


FIG. 2

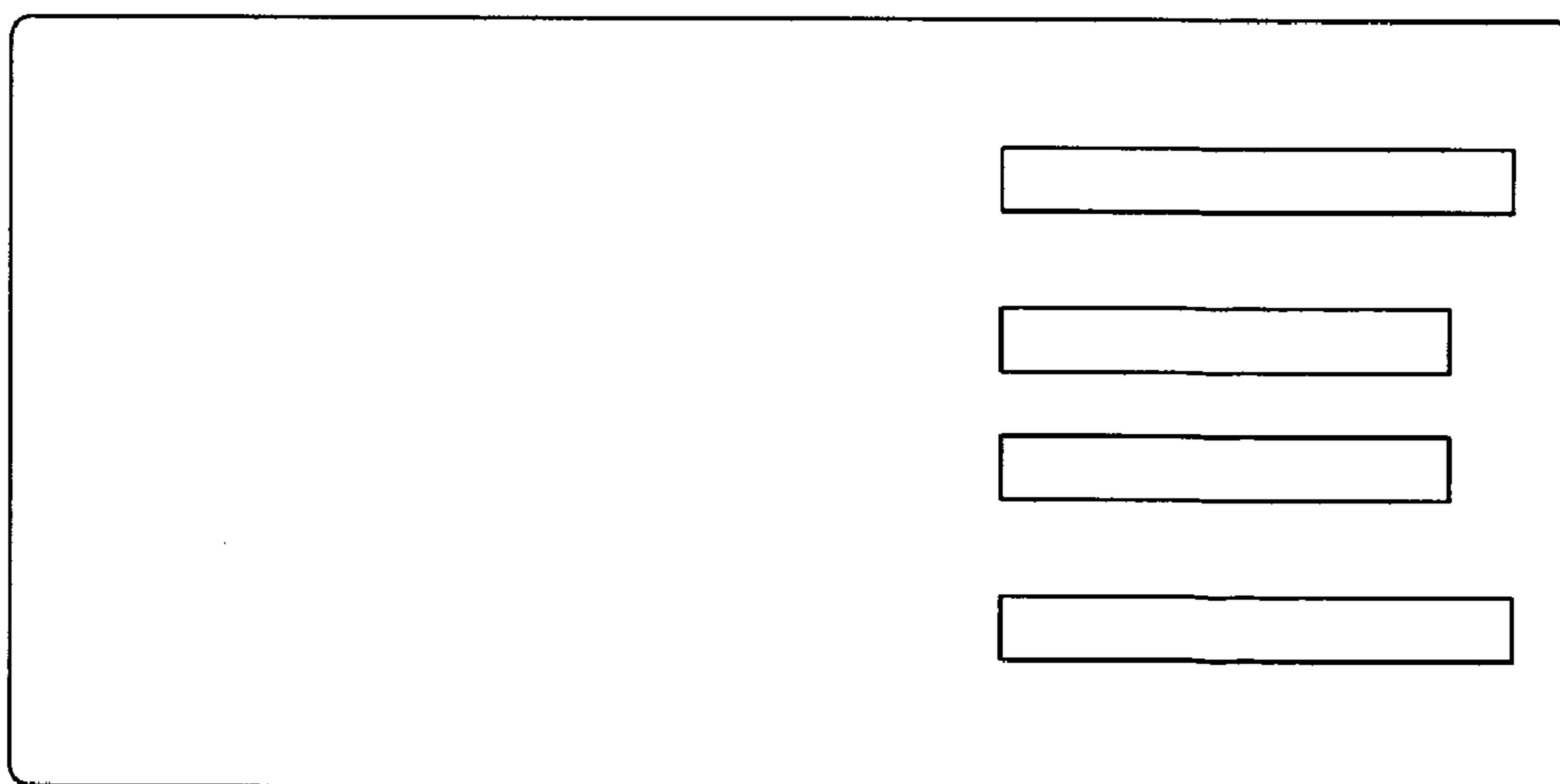


FIG. 3

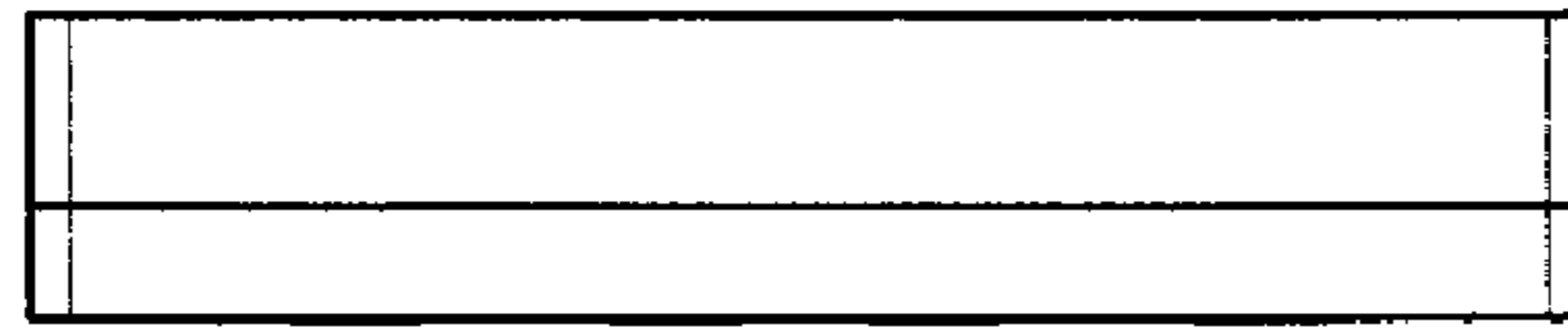


FIG. 4



FIG. 5