



US00D647096S

(12) **United States Design Patent**  
**Tung et al.**

(10) **Patent No.:** **US D647,096 S**

(45) **Date of Patent:** **\*\* Oct. 18, 2011**

(54) **MEMORY CARD**

(75) Inventors: **Yueh Ming Tung**, Kaohsiung County (TW); **Chia Ming Yang**, Tainan (TW); **Hsiu Fang Tsai**, Kaohsiung County (TW); **Shu Hui Lin**, Kaohsiung County (TW); **Hung Lin Chiang**, Kaohsiung (TW)

(73) Assignee: **Orient Semiconductor Electronics, Limited**, Kaohsiung (TW)

(\*\*) Term: **14 Years**

(21) Appl. No.: **29/378,674**

(22) Filed: **Nov. 8, 2010**

(51) **LOC (9) Cl.** ..... **14-02**

(52) **U.S. Cl.** ..... **D14/480.1; D14/436**

(58) **Field of Classification Search** ..... D14/411, D14/433, 435.1, 436, 480.1–480.7, 484.1, D14/137, 155, 203.1–203.8, 240; D3/201, D3/273; D13/107, 108, 133, 154, 184; 710/300, 710/301; 439/131, 135–147  
See application file for complete search history.

(56) **References Cited**

U.S. PATENT DOCUMENTS

D518,483	S *	4/2006	Yu et al.	.....	D14/436
7,172,460	B2 *	2/2007	Zhao et al.	.....	439/607.56
D553,130	S *	10/2007	Fiorentino	.....	D14/436
D562,818	S *	2/2008	Chen	.....	D14/385
7,335,036	B1 *	2/2008	Lin	.....	439/131
D594,866	S *	6/2009	Lin	.....	D14/385
7,553,172	B2 *	6/2009	Chiu et al.	.....	439/131
7,558,069	B2 *	7/2009	Chung	.....	361/737

7,850,465	B1 *	12/2010	Wan et al.	.....	439/79
D632,298	S *	2/2011	DePaula	.....	D14/436
2008/0059680	A1 *	3/2008	Hiew et al.	.....	710/301
2009/0227144	A1 *	9/2009	Ma	.....	439/620.15
2010/0221936	A1 *	9/2010	Zhao et al.	.....	439/135
2010/0321878	A1 *	12/2010	Huang	.....	361/679.31
2011/0130017	A1 *	6/2011	Chou et al.	.....	439/131

\* cited by examiner

*Primary Examiner* — Cathron Brooks

*Assistant Examiner* — Karen E Kearney

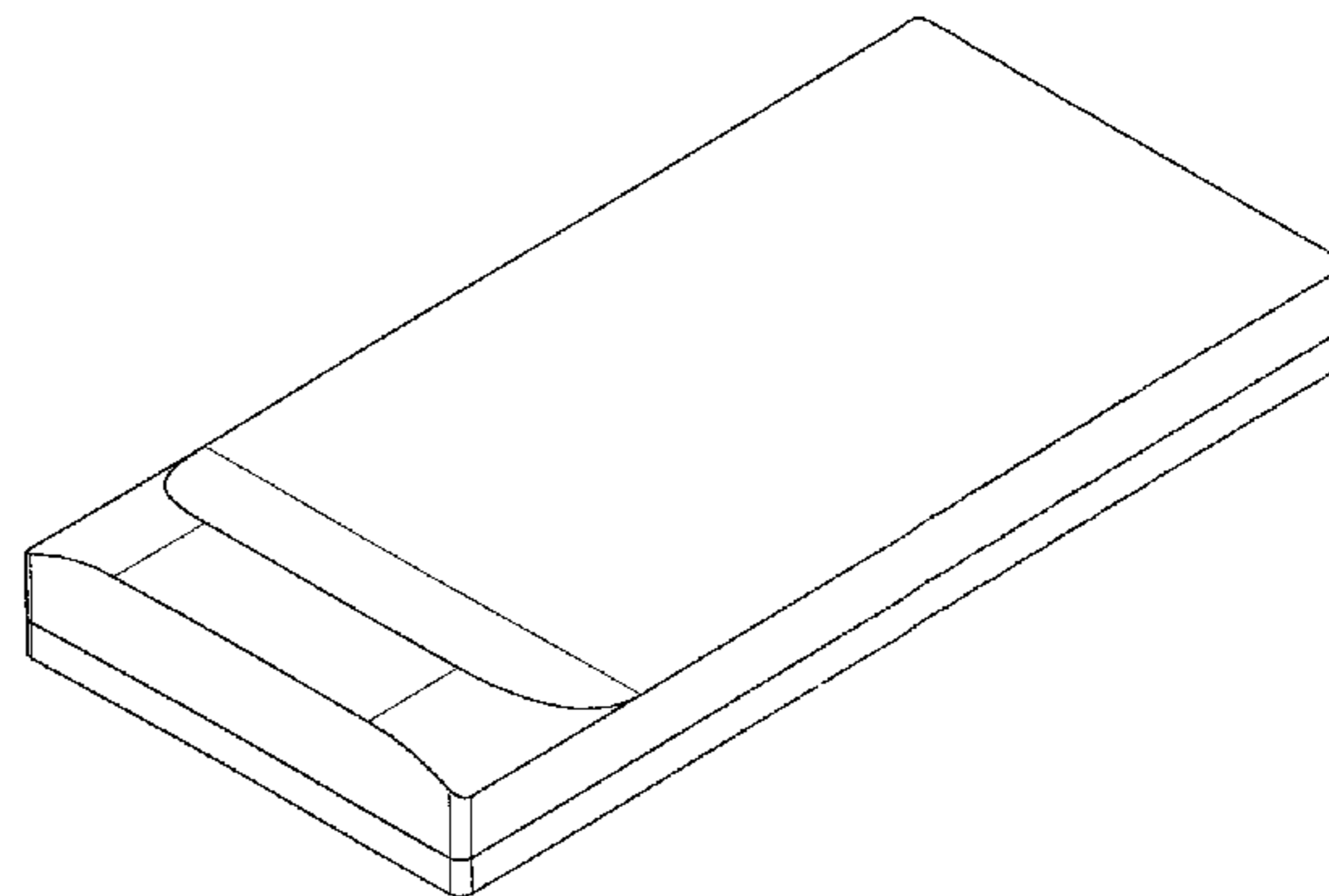
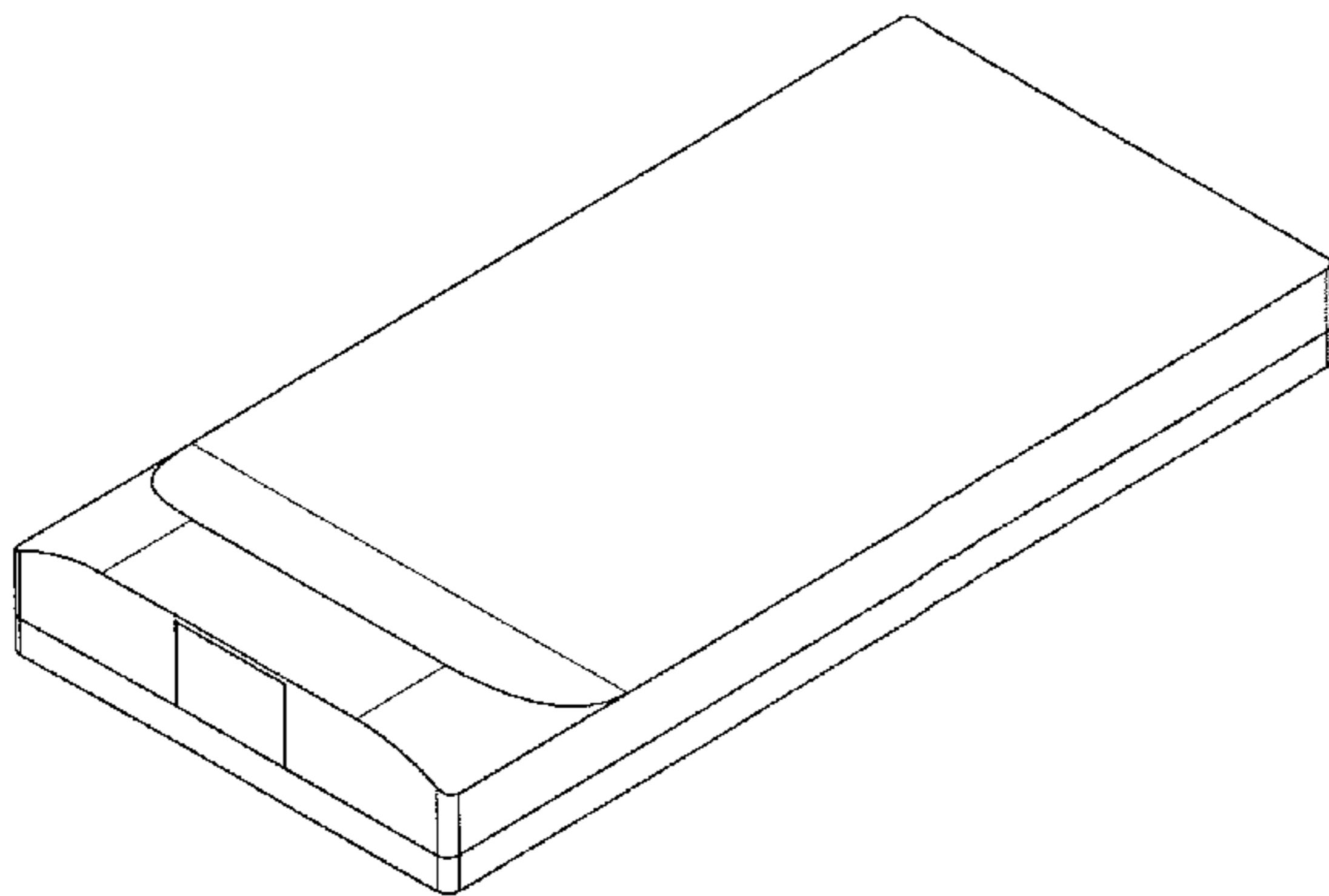
(57) **CLAIM**

The ornamental design for a memory card, as shown and described.

**DESCRIPTION**

FIG. 1 is a perspective view of a first embodiment of a memory card showing the new design; FIG. 2 is a top plan view thereof; FIG. 3 is a bottom plan view thereof; FIG. 4 is a front view thereof; FIG. 5 is a rear view thereof; FIG. 6 is a left side view thereof; and FIG. 7 is a right side view thereof. FIG. 8 is a perspective view of a second embodiment of a memory card showing the new design; FIG. 9 is a top plan view thereof; FIG. 10 is a bottom plan view thereof; FIG. 11 is a front view thereof; FIG. 12 is a rear view thereof; FIG. 13 is a left side view thereof; and, FIG. 14 is a right side view thereof.

**1 Claim, 8 Drawing Sheets**



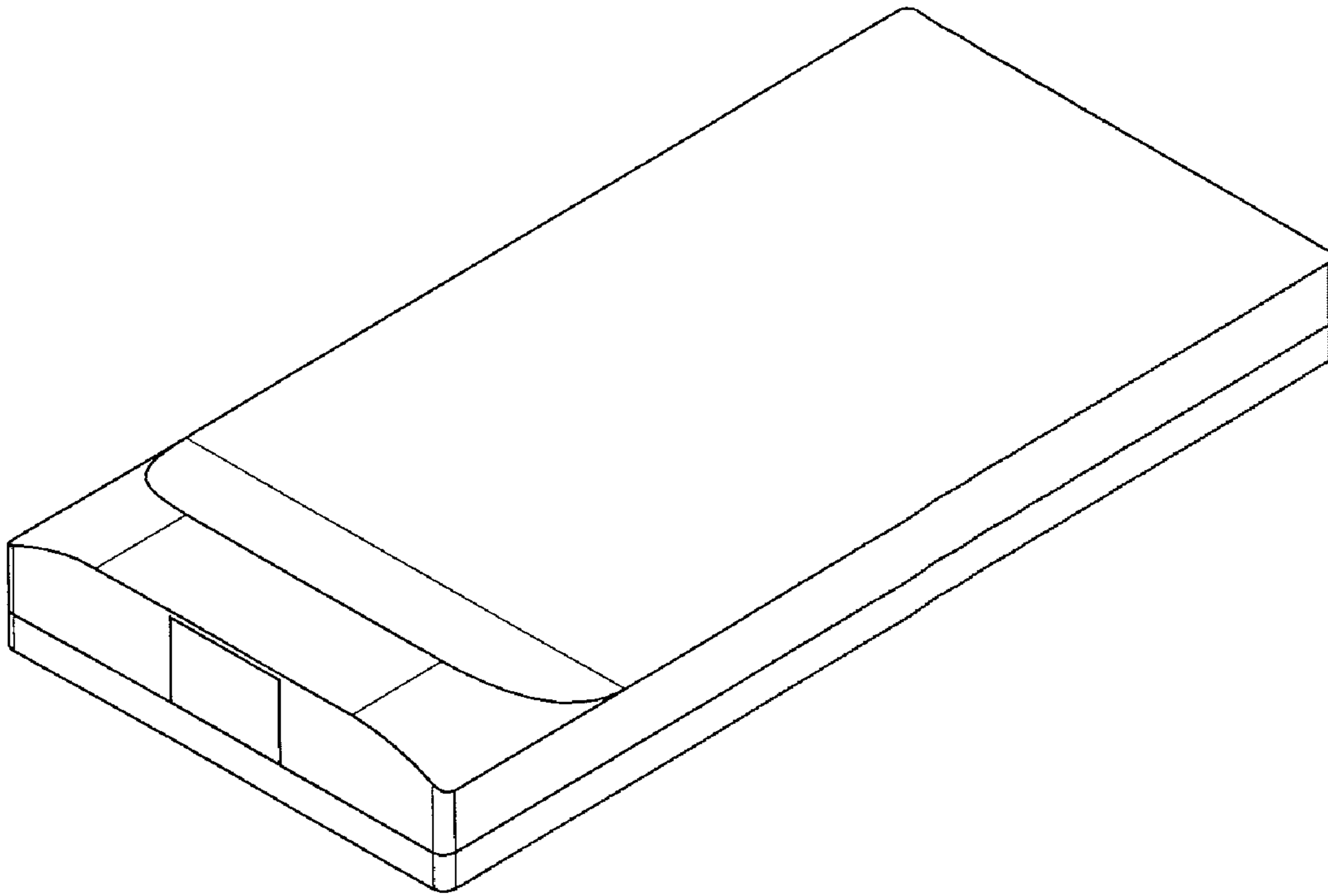


FIG. 1

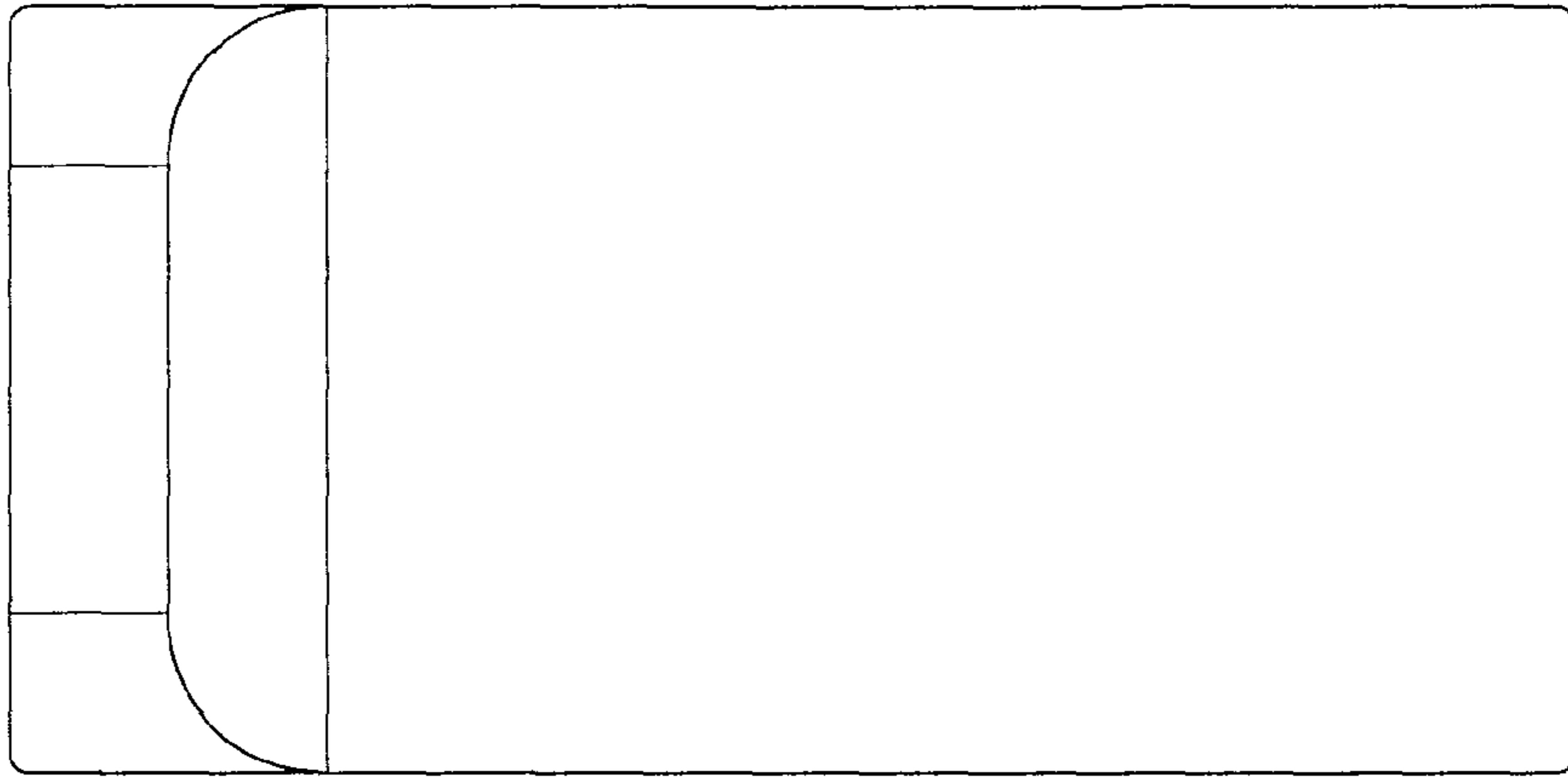


FIG. 2

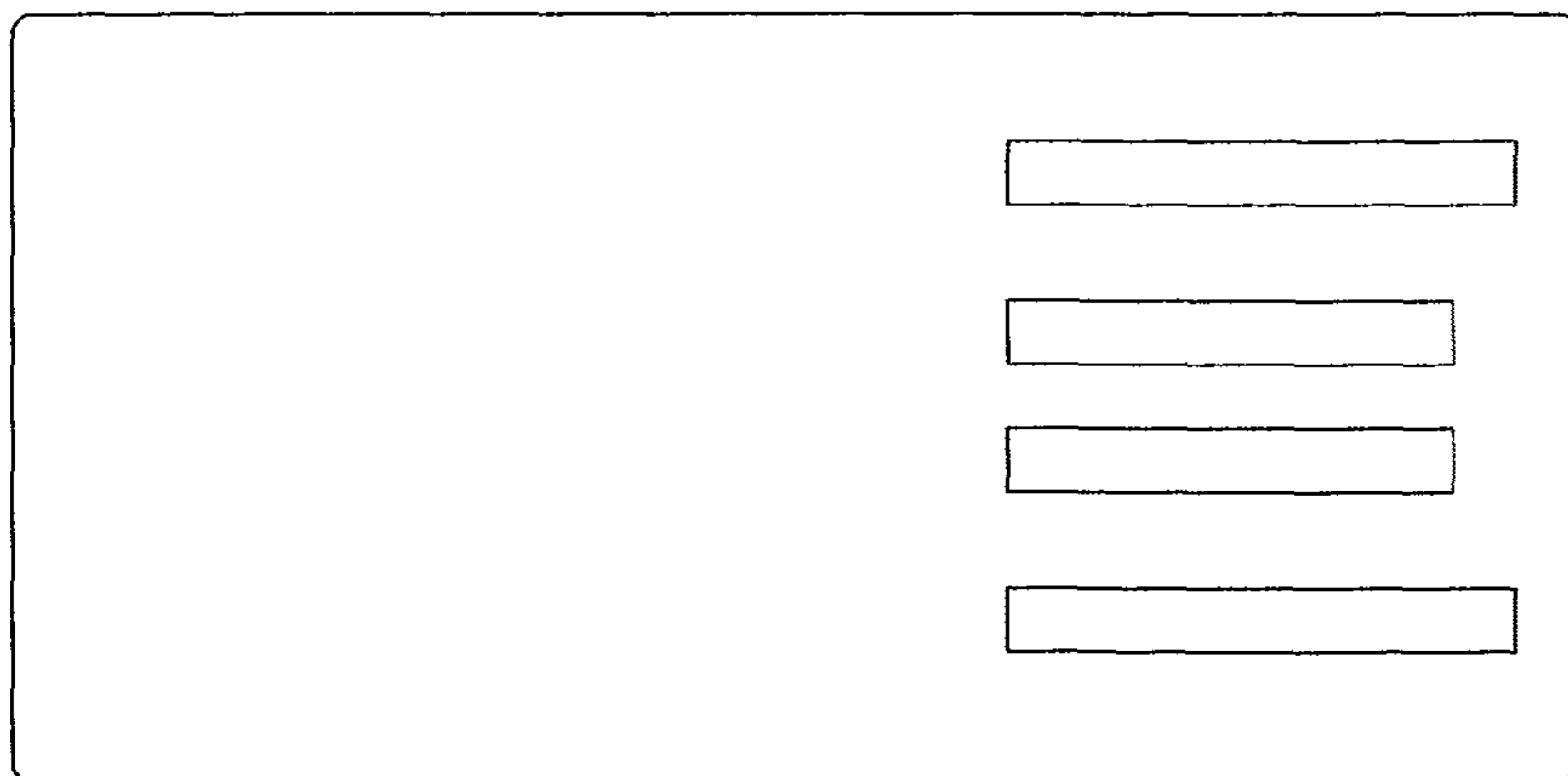


FIG. 3

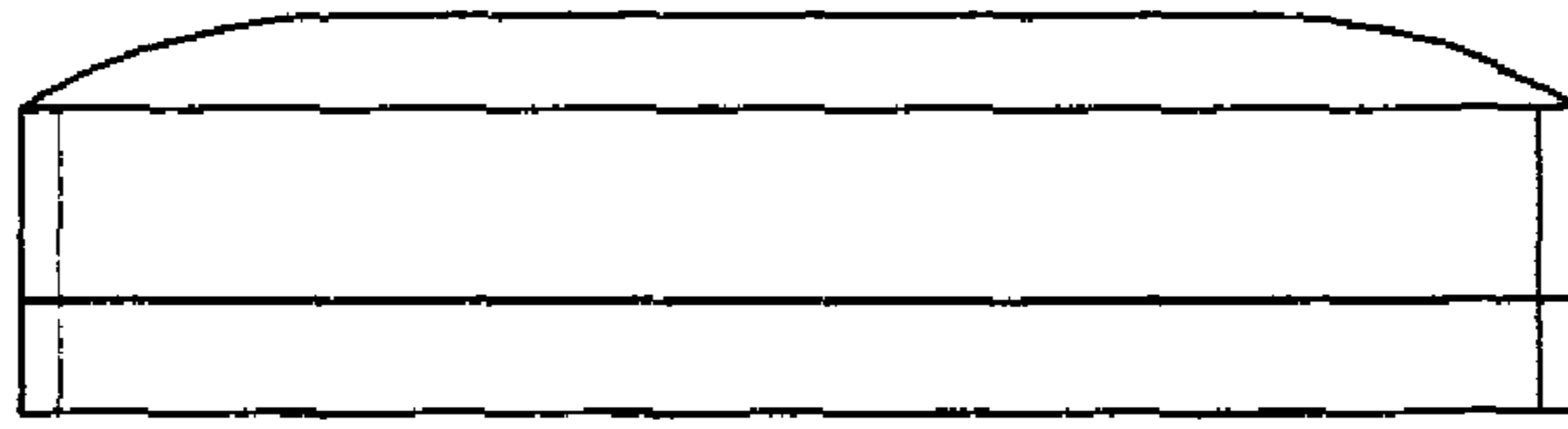


FIG. 4

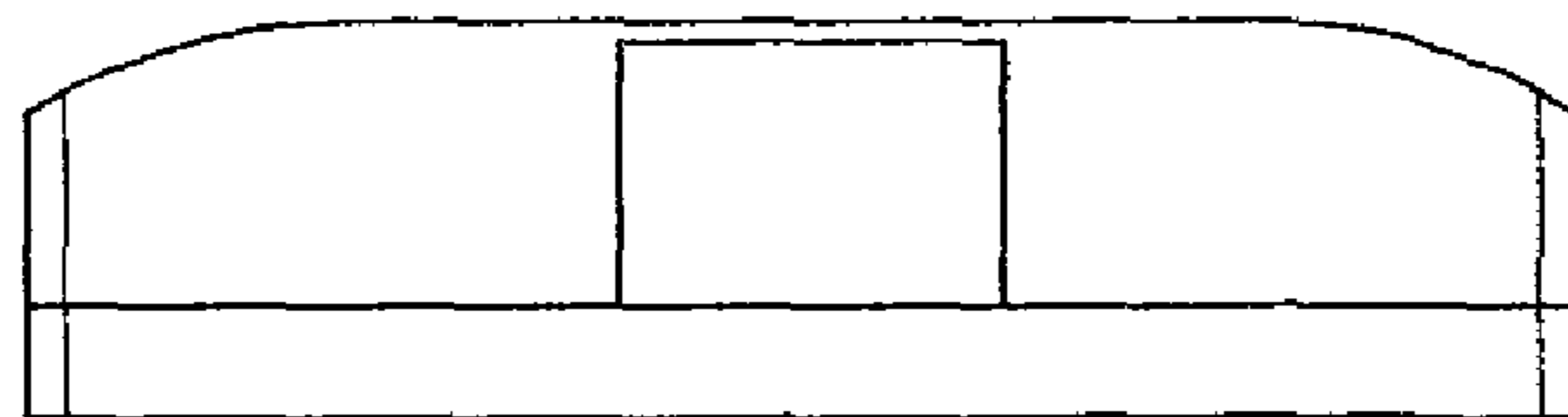


FIG. 5

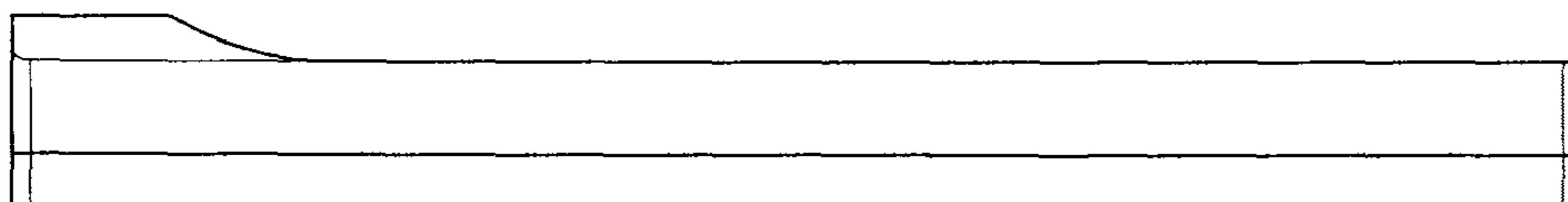


FIG. 6

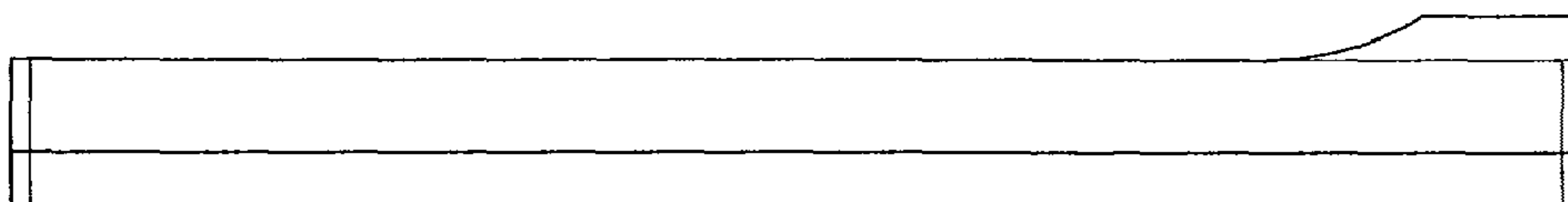


FIG. 7

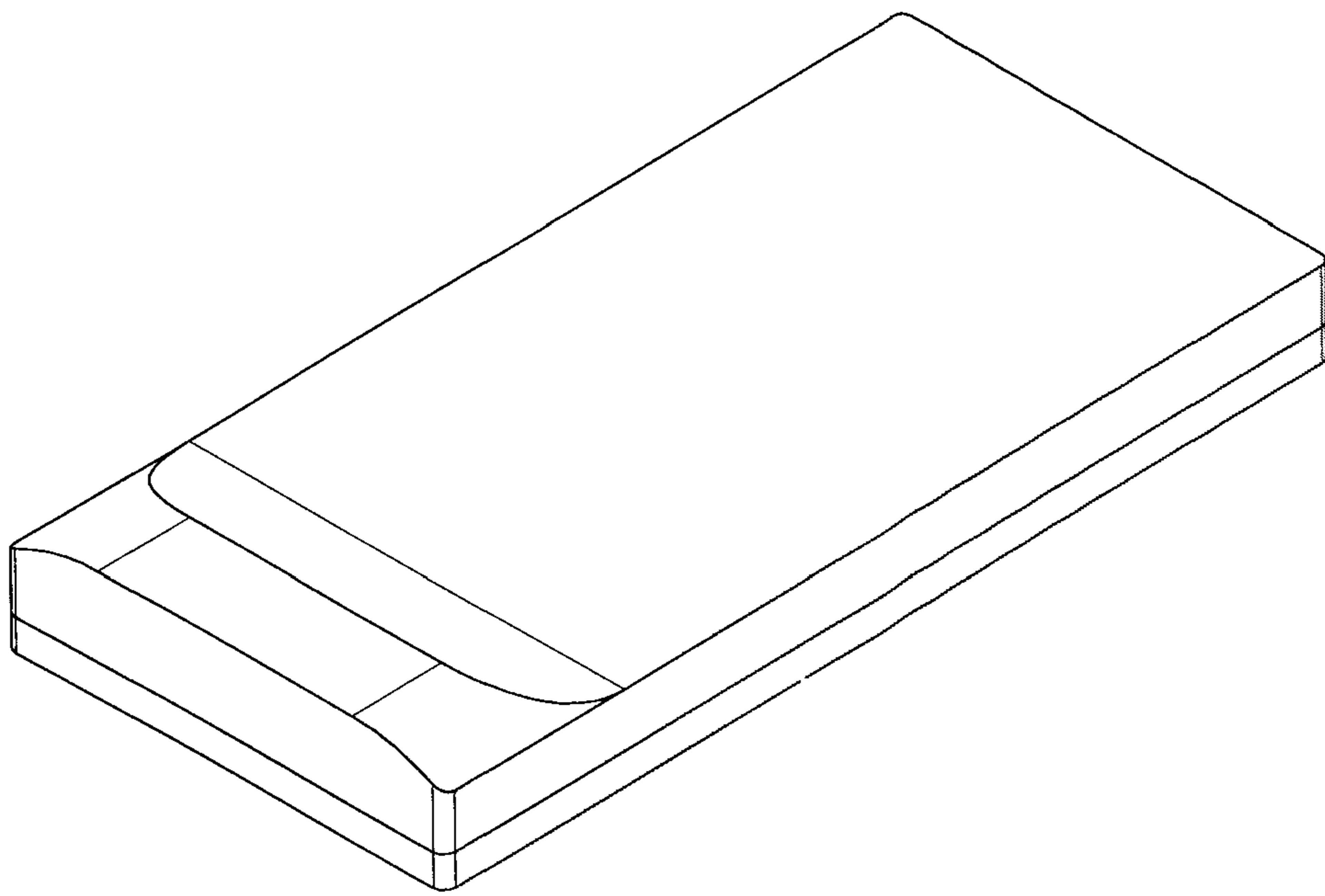


FIG. 8

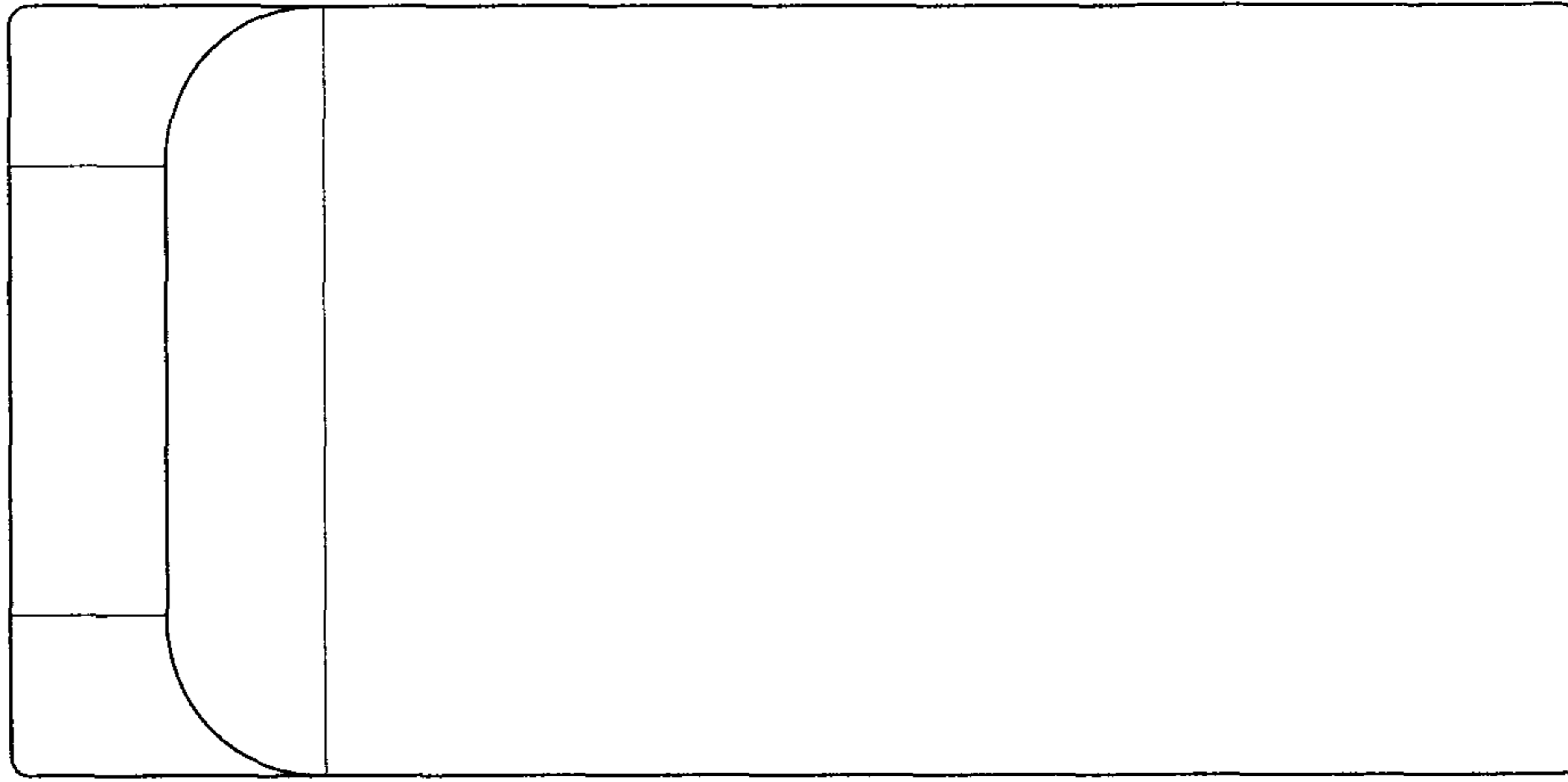


FIG. 9

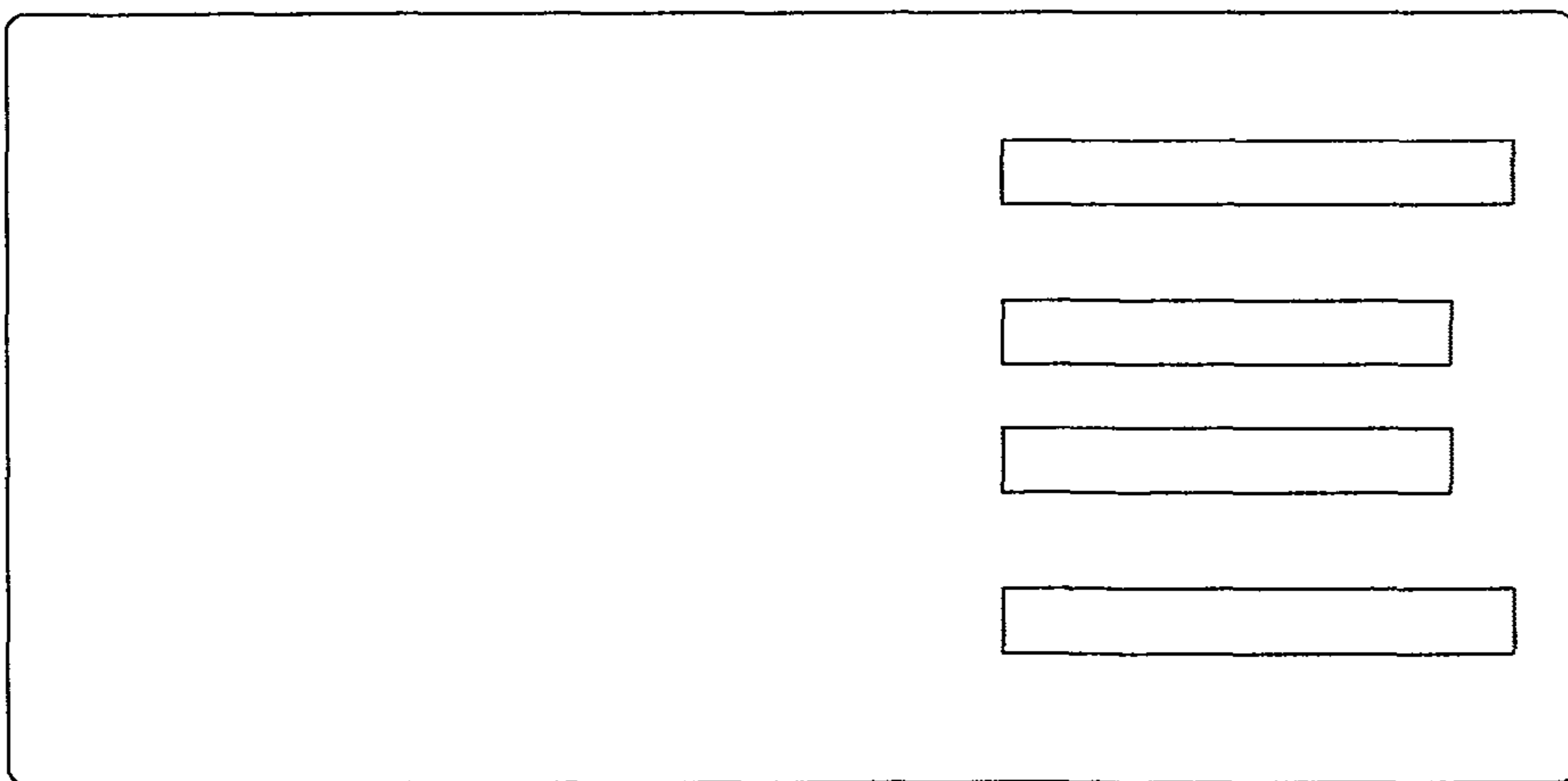


FIG. 10

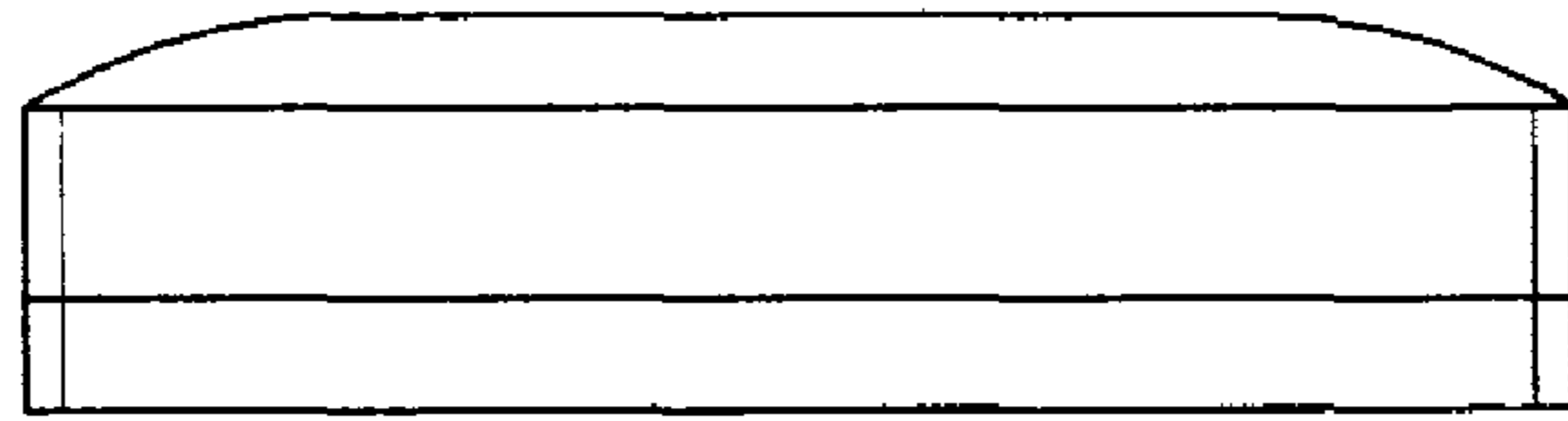


FIG. 11

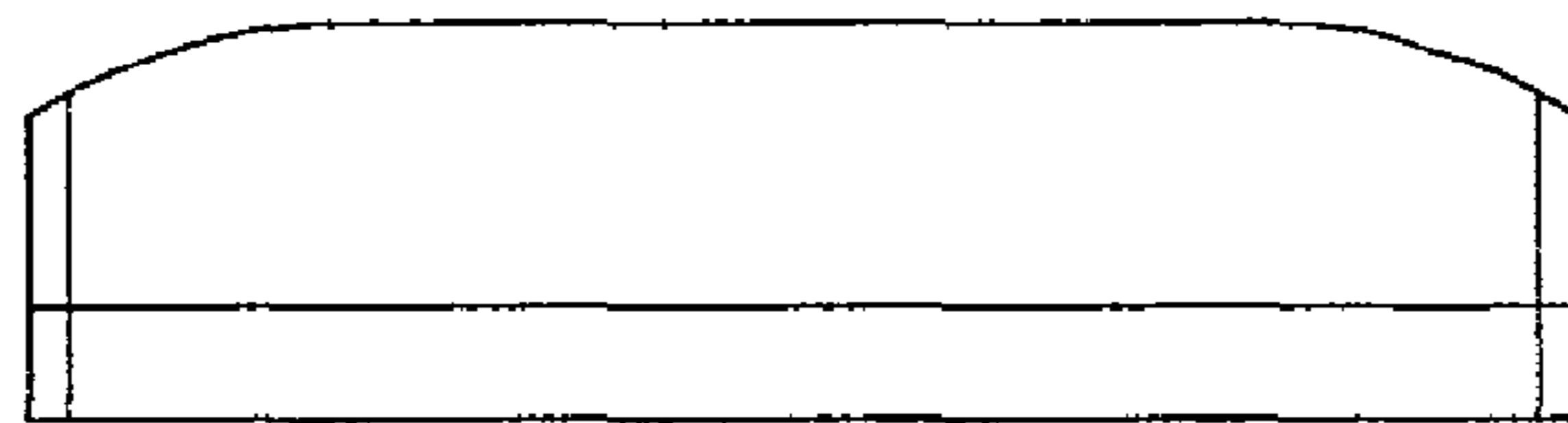


FIG. 12



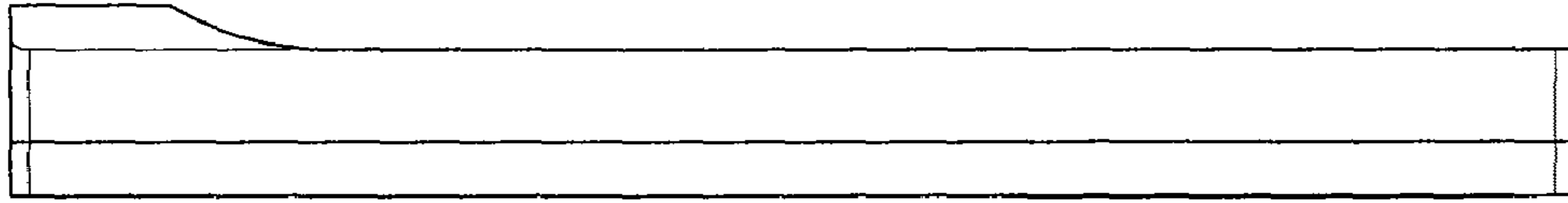


FIG. 13

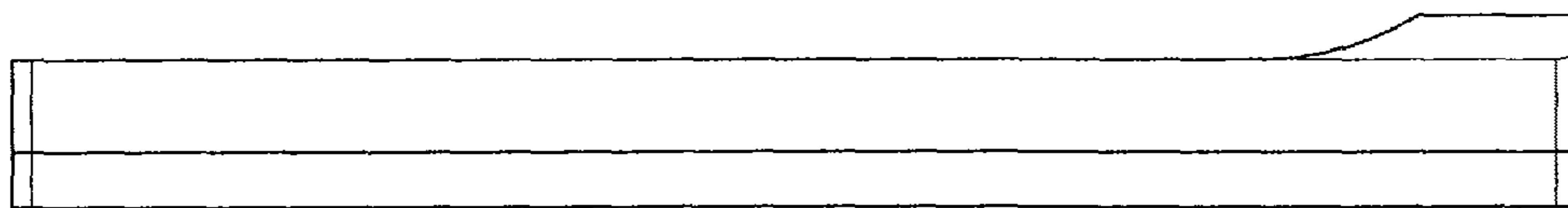


FIG. 14