



US00D647094S

(12) **United States Design Patent**
Bowden et al.

(10) **Patent No.:** **US D647,094 S**

(45) **Date of Patent:** **** Oct. 18, 2011**

(54) **COMPUTER MOUSE**

(76) Inventors: **James Patrick Bowden**, Sidcup (GB);
Stephen Anthony Bowden, Sidcup (GB)

(**) Term: **14 Years**

(21) Appl. No.: **29/355,893**

(22) Filed: **Feb. 16, 2010**

(30) **Foreign Application Priority Data**

Aug. 27, 2009 (GB) 4012304

(51) **LOC (9) Cl.** **14-02**

(52) **U.S. Cl.** **D14/410**

(58) **Field of Classification Search** D14/402-411,
D14/356, 388, 389, 383-385, 417, 426;
345/156-167; 463/36-38; 358/471, 473

See application file for complete search history.

(56) **References Cited**

U.S. PATENT DOCUMENTS

D326,848 S *	6/1992	Shiraishi	D14/410
D344,498 S *	2/1994	Leman	D14/402
D365,810 S *	1/1996	Esslinger	D14/410
D461,188 S *	8/2002	Lo	D14/409
D511,518 S *	11/2005	Wu et al.	D14/410
D514,573 S *	2/2006	Yin et al.	D14/410
D515,579 S *	2/2006	Chang	D14/409
D520,008 S *	5/2006	Huang	D14/402
D521,998 S *	5/2006	Hirota	D14/402
D605,649 S *	12/2009	Kujawski et al.	D14/409
D611,475 S *	3/2010	Kujawski et al.	D14/409
D618,685 S *	6/2010	Haase et al.	D14/409
D632,691 S *	2/2011	Lo	D14/409

* cited by examiner

Primary Examiner — Austin Murphy

(74) *Attorney, Agent, or Firm* — Marshall, Gerstein & Borun
LLP; Richard M. LaBarge

(57) **CLAIM**

The ornamental design for a computer mouse, as shown and described.

DESCRIPTION

FIG. 1 is a front, top, and right perspective view of the computer mouse;

FIG. 2 is a side elevation of a computer mouse that has the design. The opposite side elevation view is a mirror image of this view.

FIG. 3 is front elevation of the computer mouse.

FIG. 4 is a rear elevation of the computer mouse.

FIG. 5 is a top plan view of the computer mouse.

FIG. 6 is a bottom plan view of the computer mouse.

FIG. 7 is a front, top, and right perspective view of a second embodiment of the computer mouse;

FIG. 8 is a side elevation of a computer mouse that has the design. The opposite side elevation view is a mirror image of this view.

FIG. 9 is front elevation of the computer mouse.

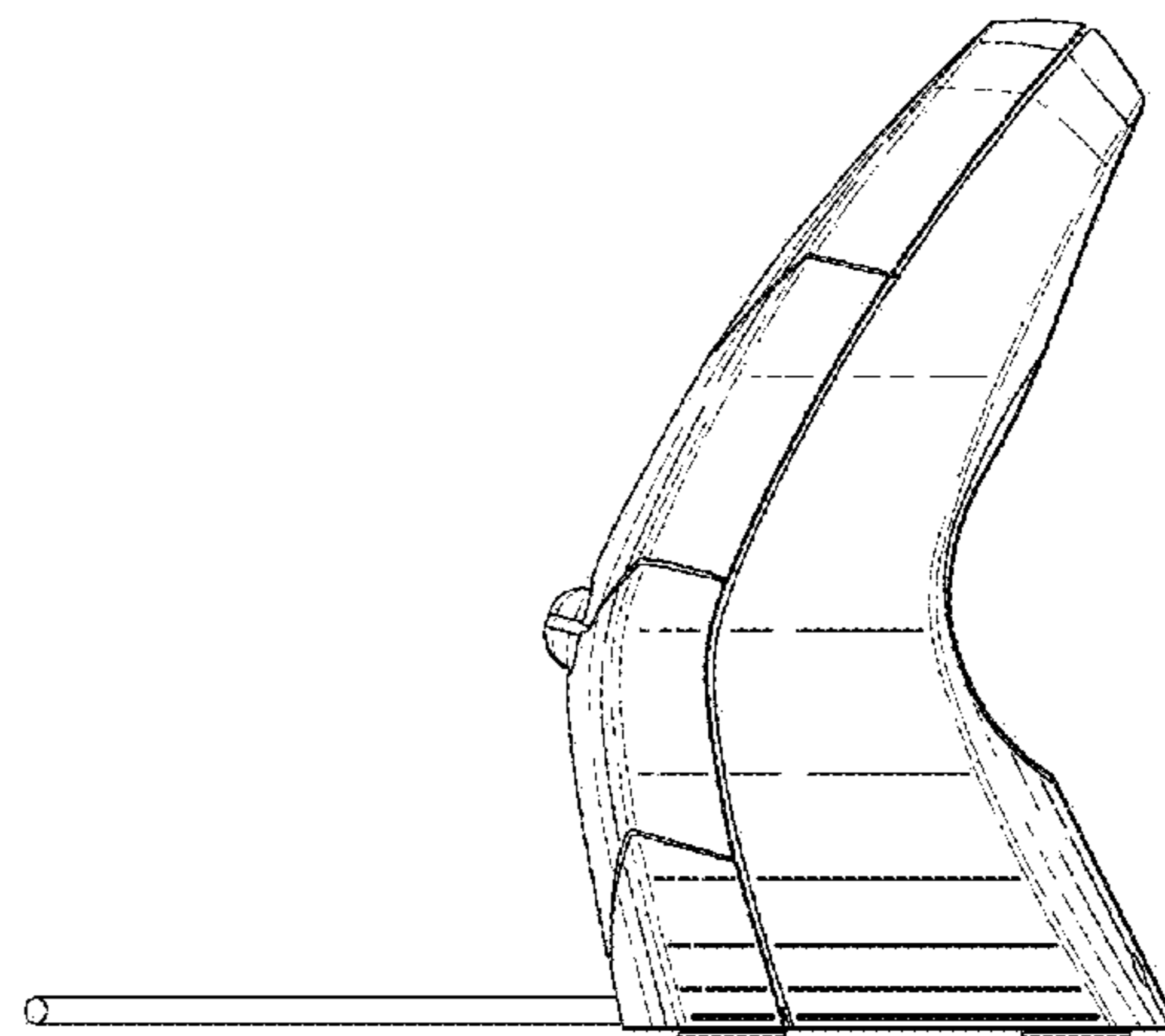
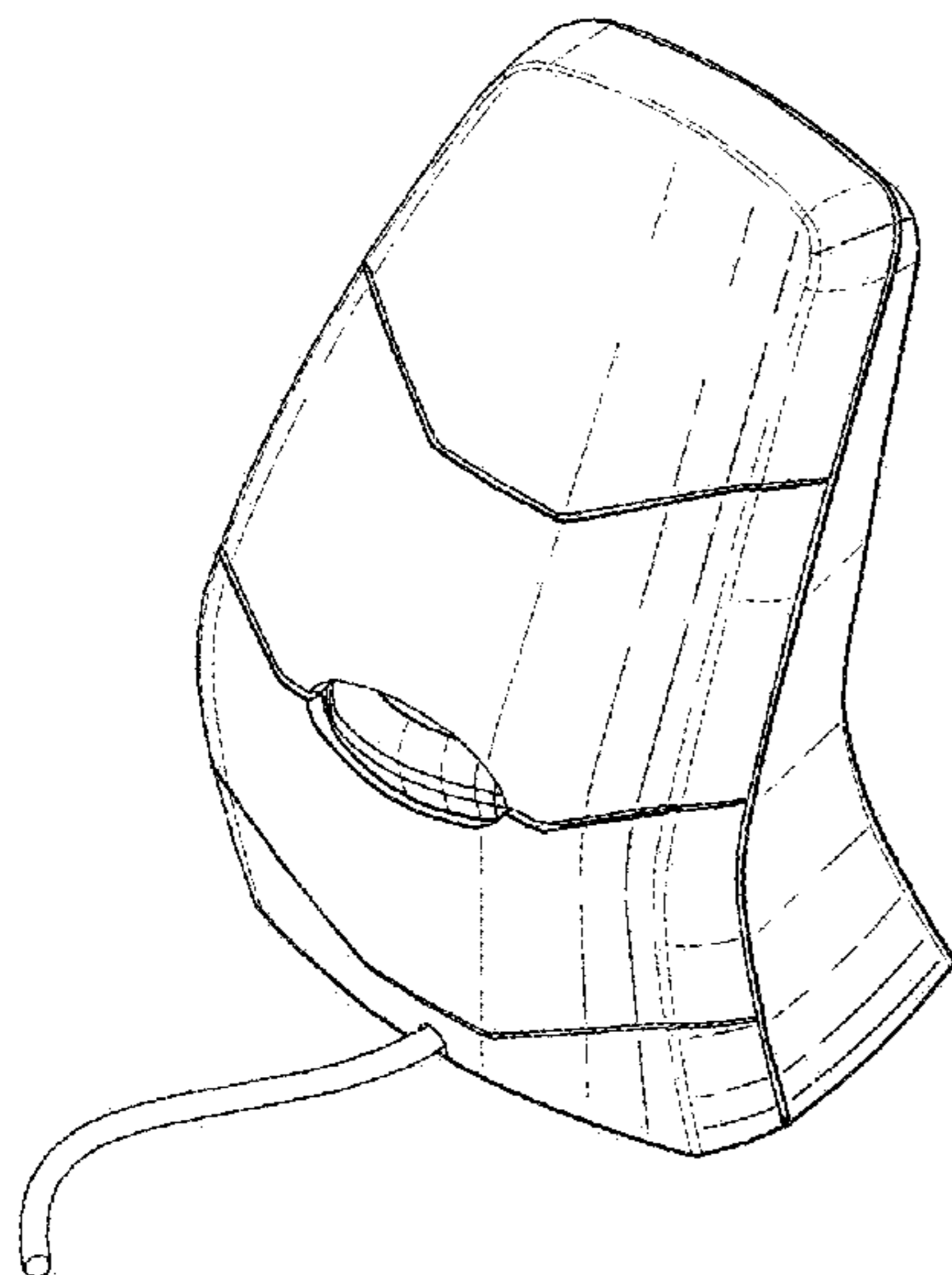
FIG. 10 is a rear elevation of the computer mouse.

FIG. 11 is a top plan view of the computer mouse; and,

FIG. 12 is a bottom plan view of the computer mouse.

The broken line showing of portions of the computer mouse is for the purpose of illustrating portions of the computer mouse and forms no part of the claimed design.

1 Claim, 6 Drawing Sheets



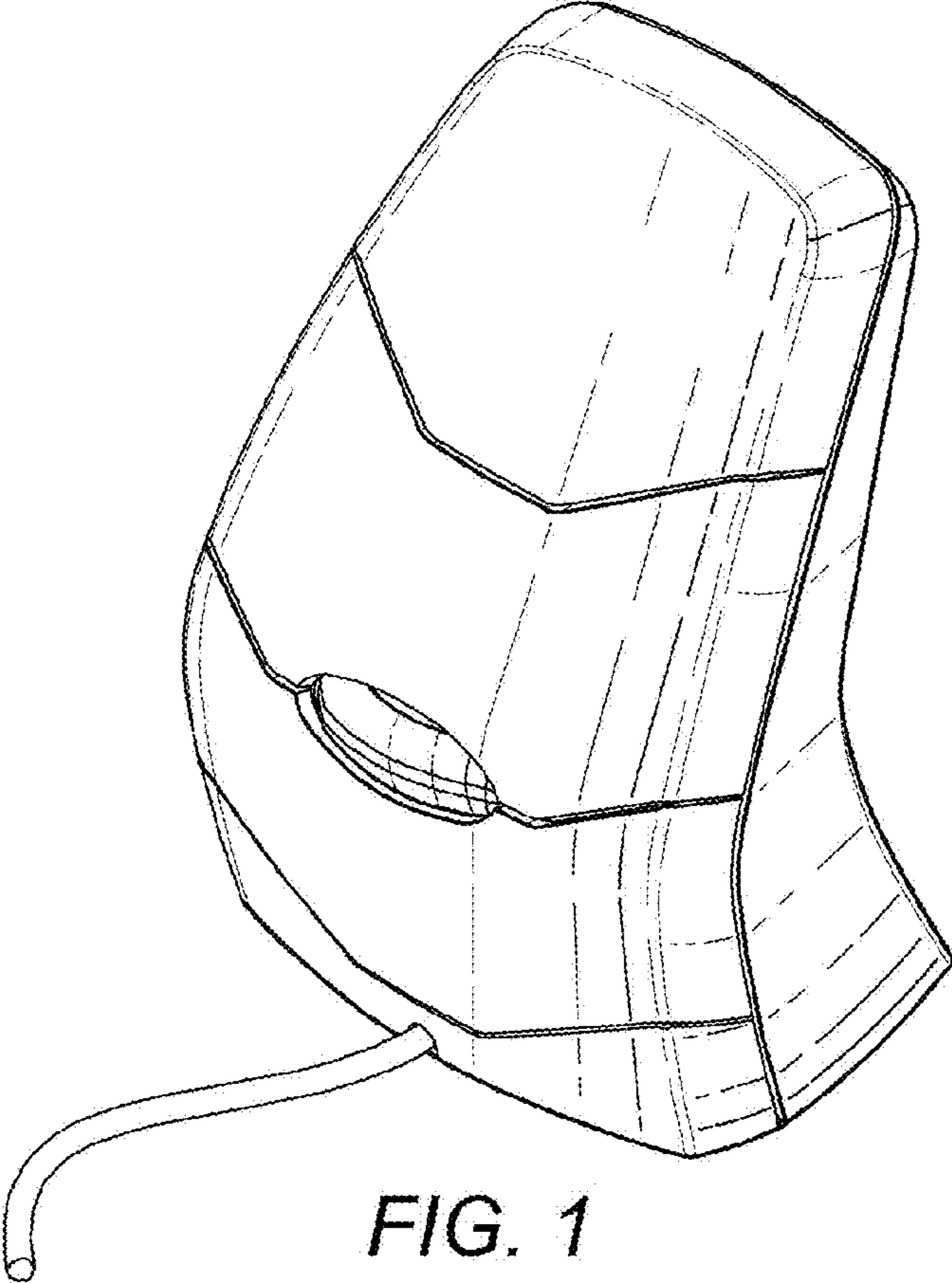


FIG. 1

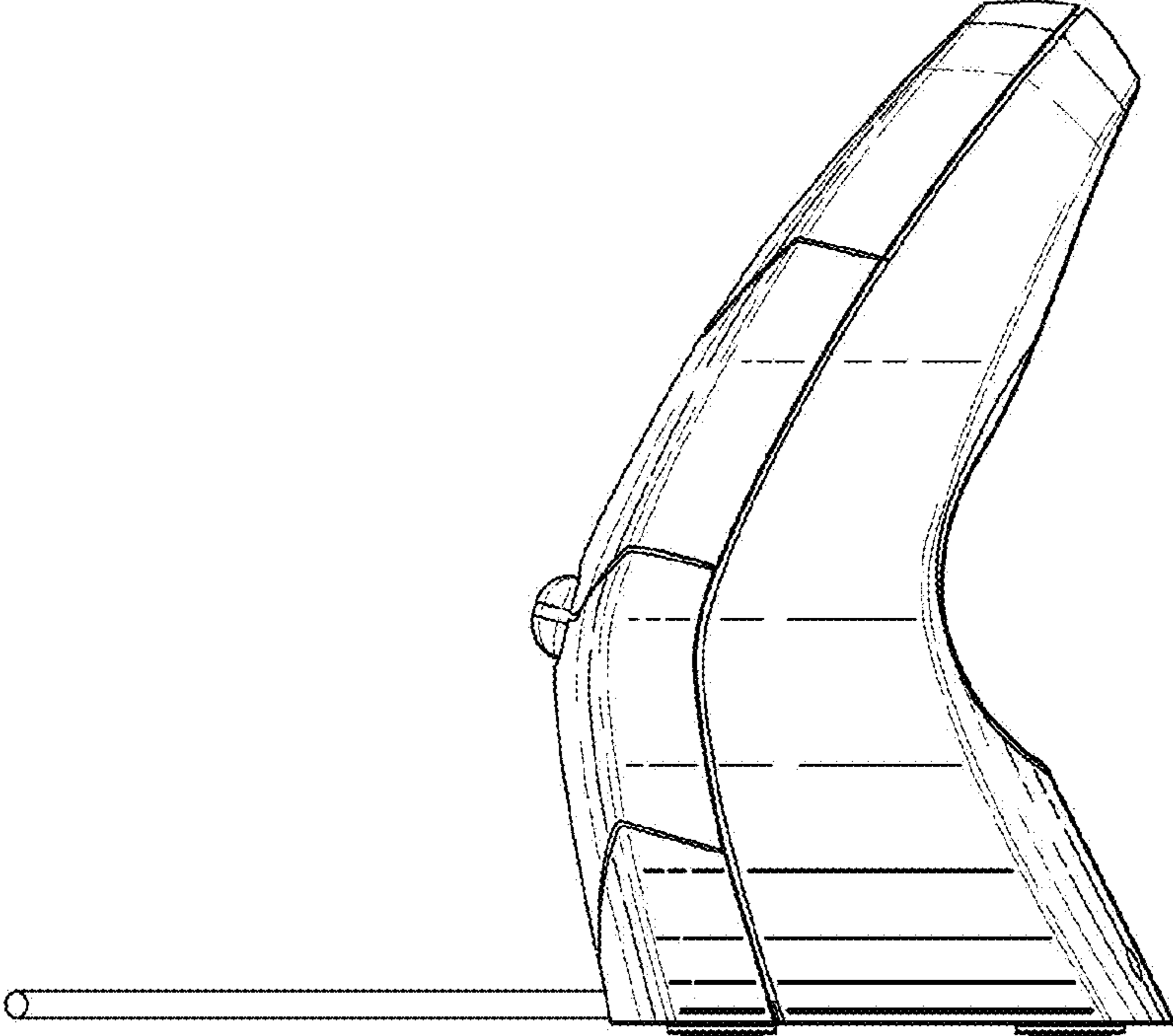


FIG. 2

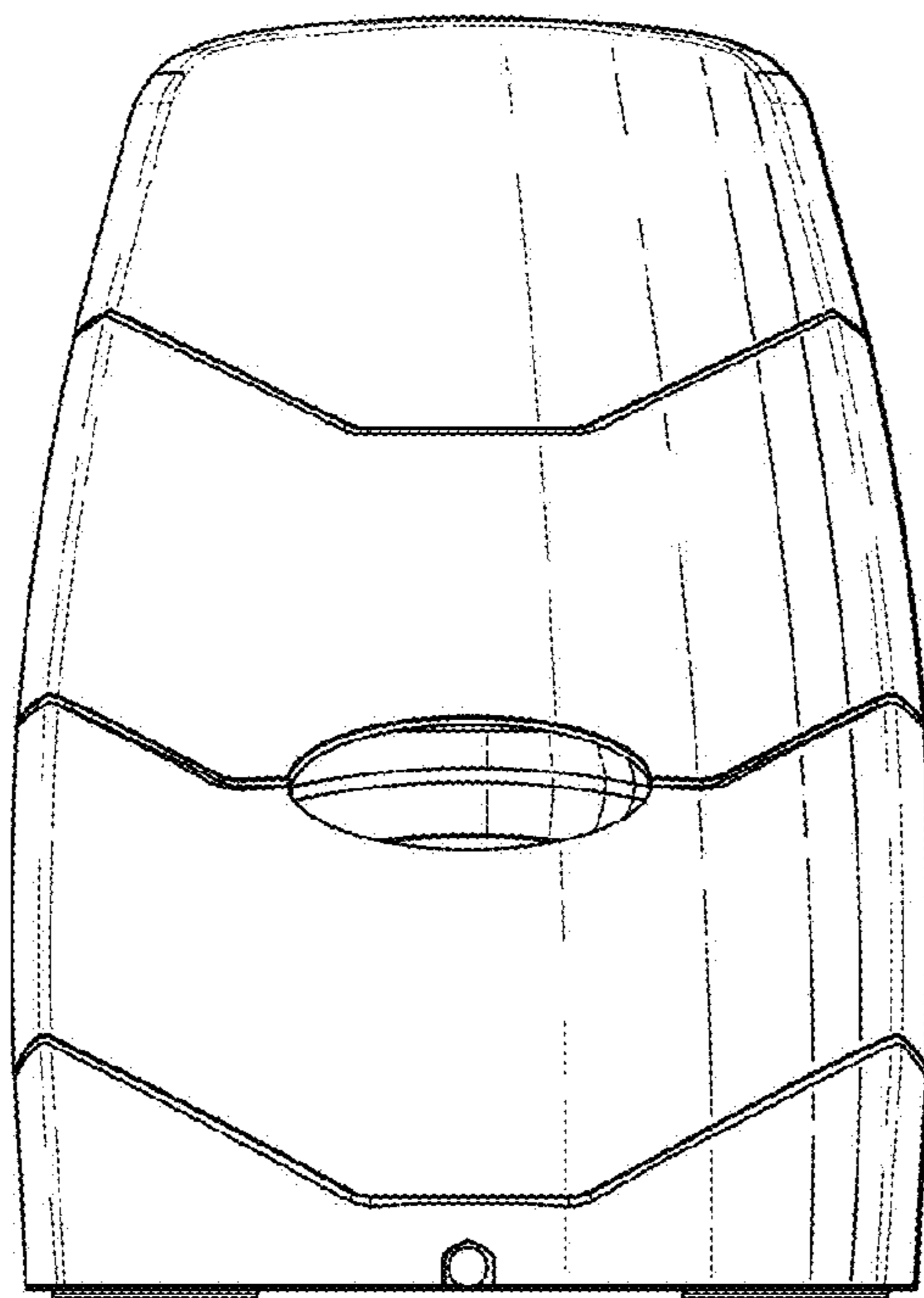


FIG. 3

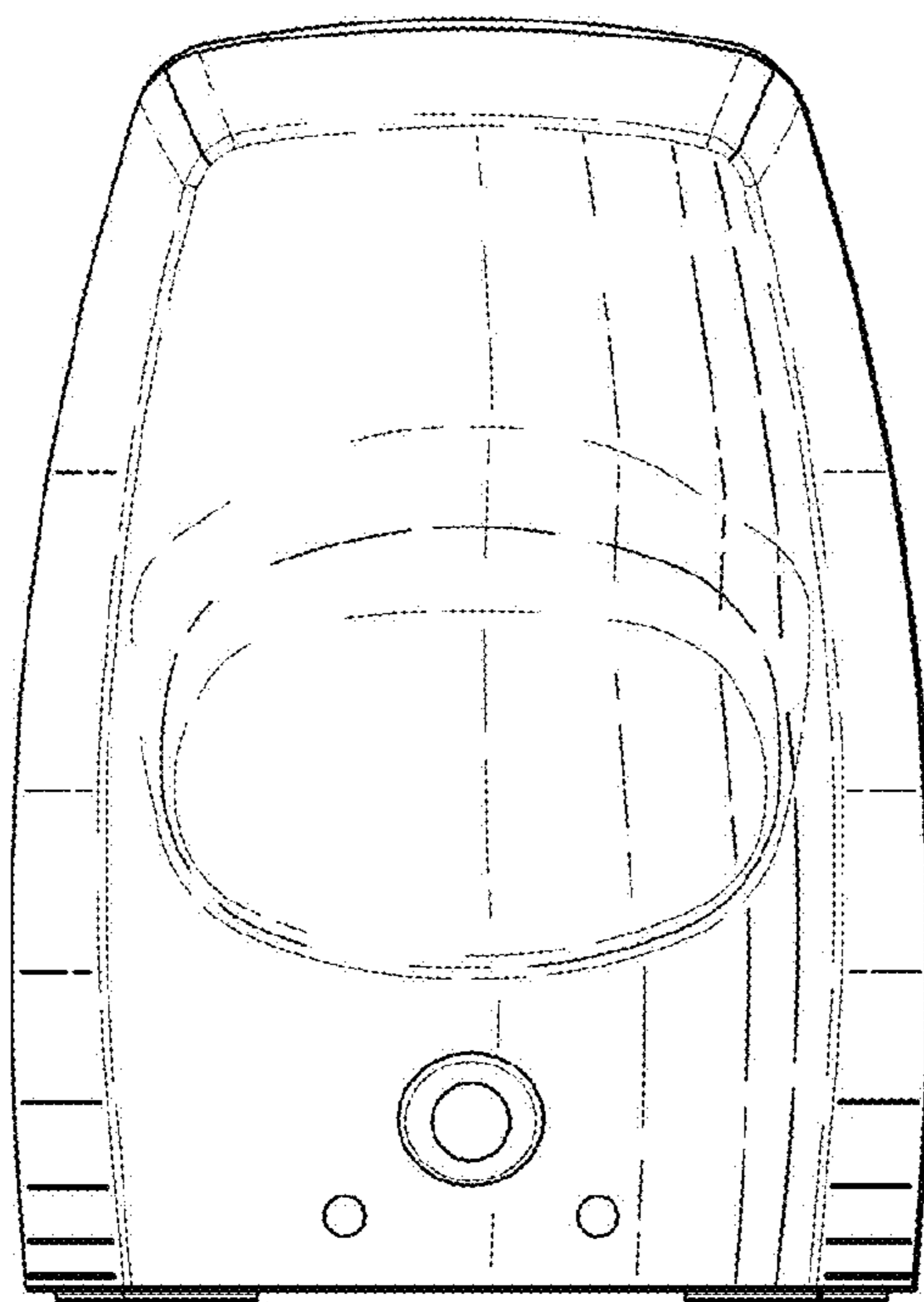


FIG. 4

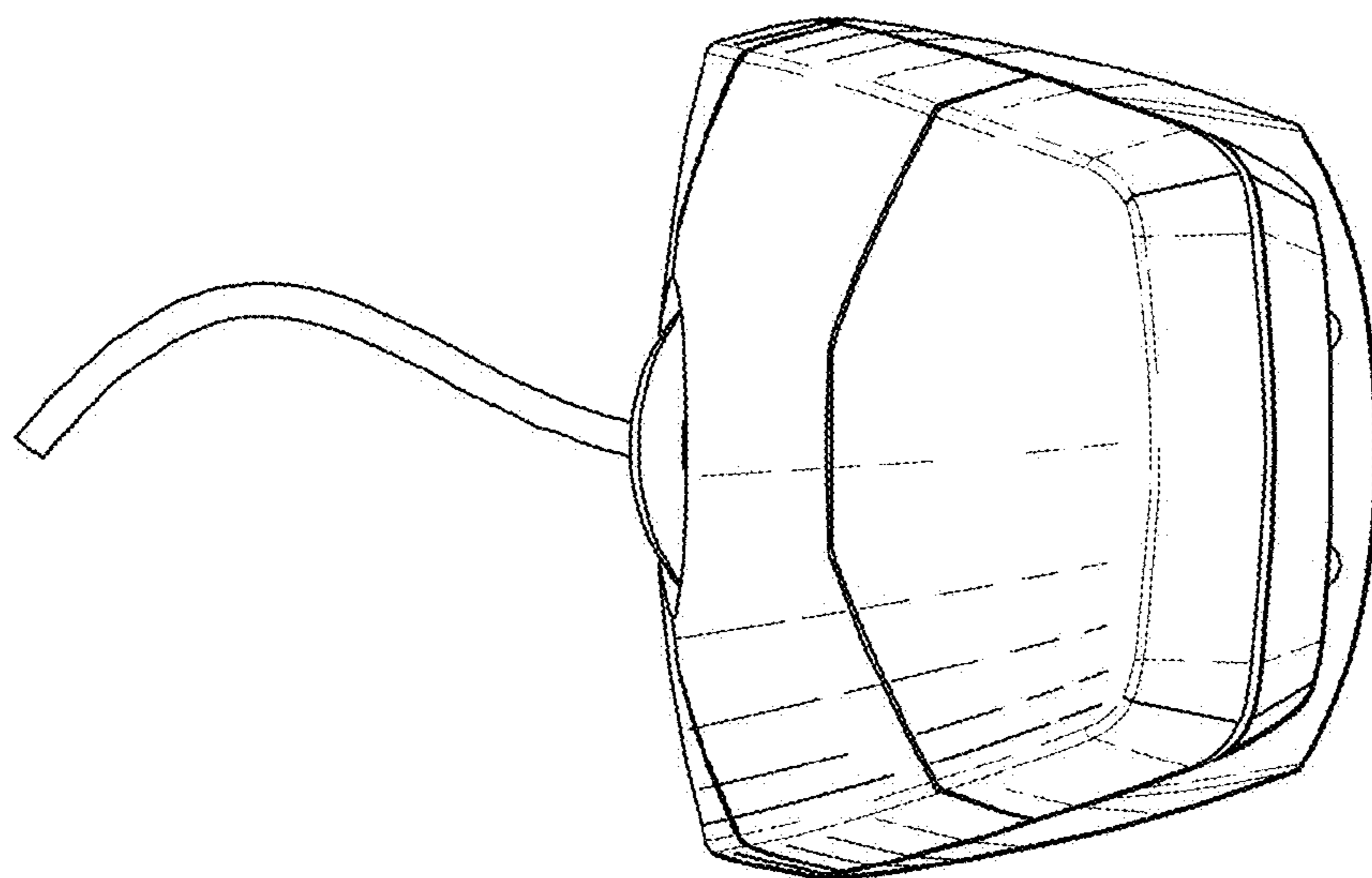


FIG. 5

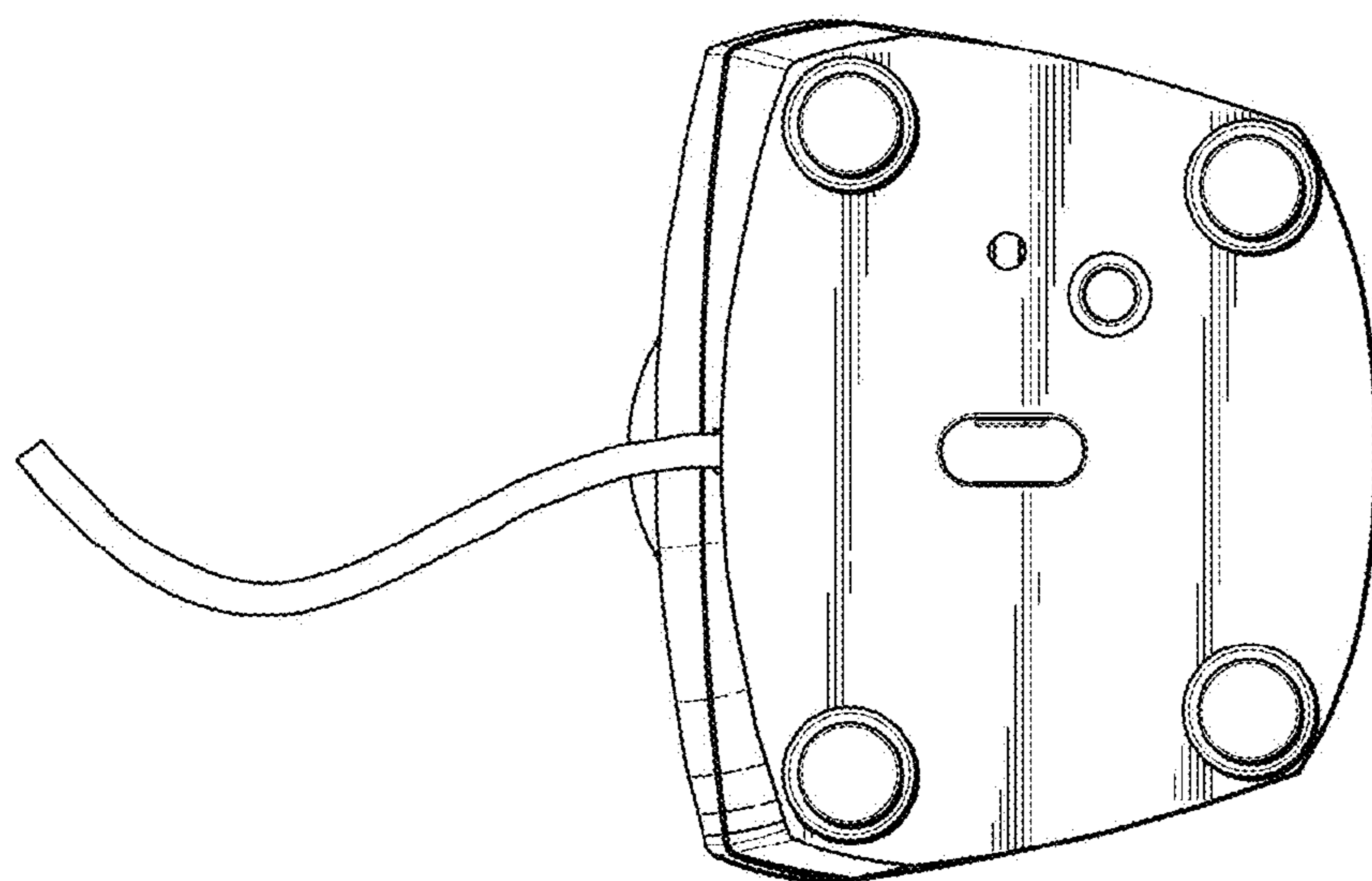


FIG. 6

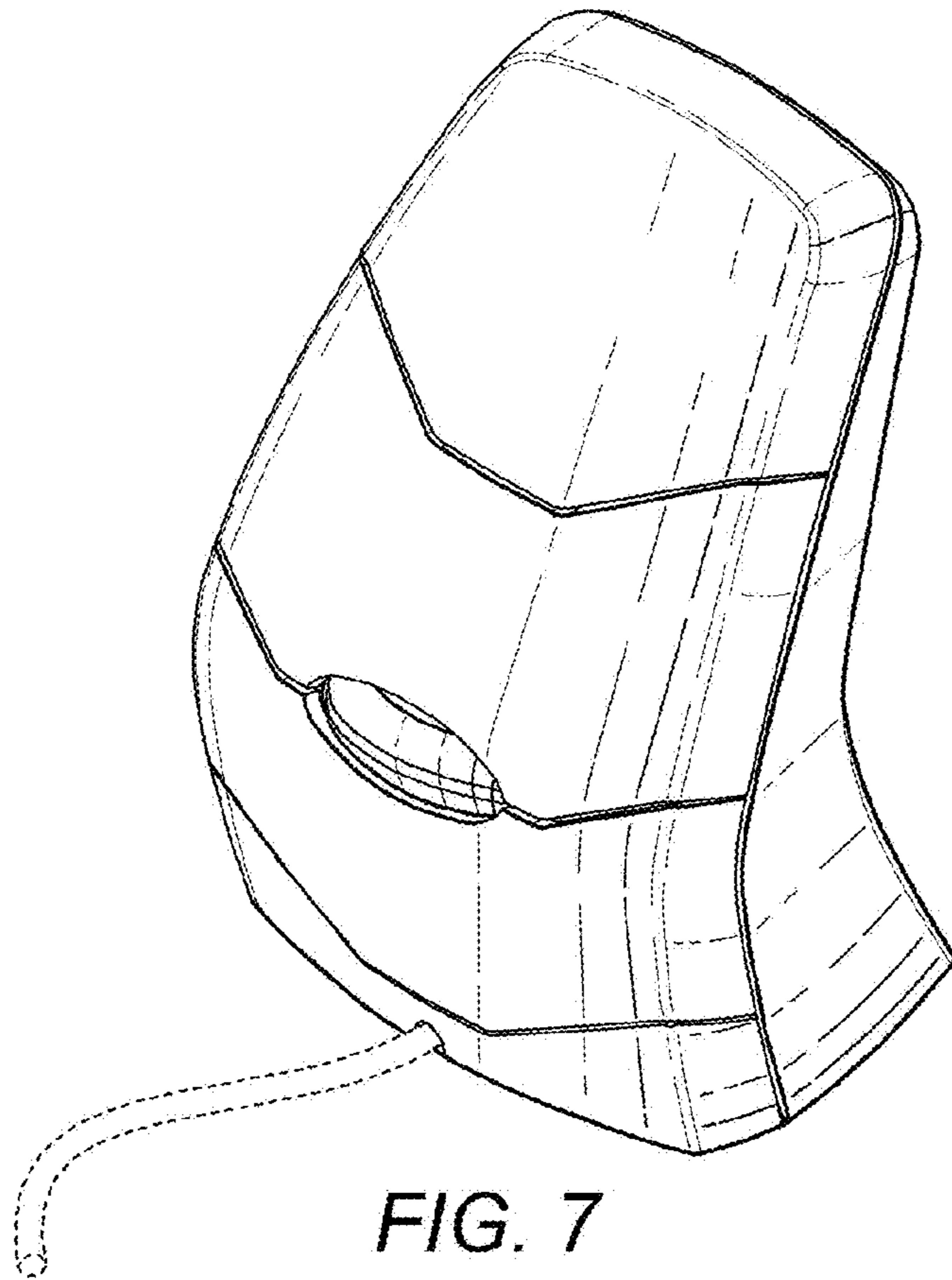


FIG. 7

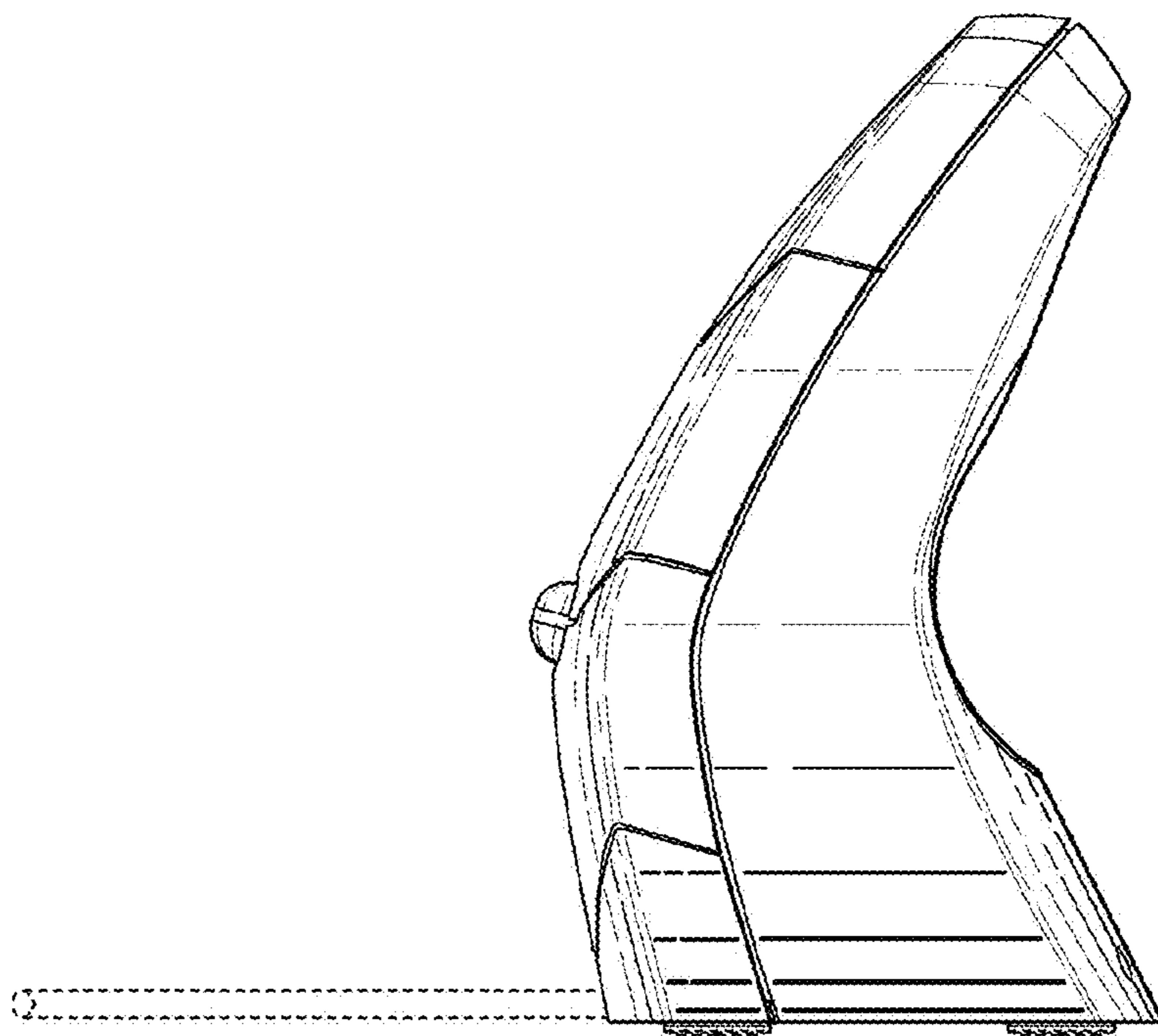


FIG. 8

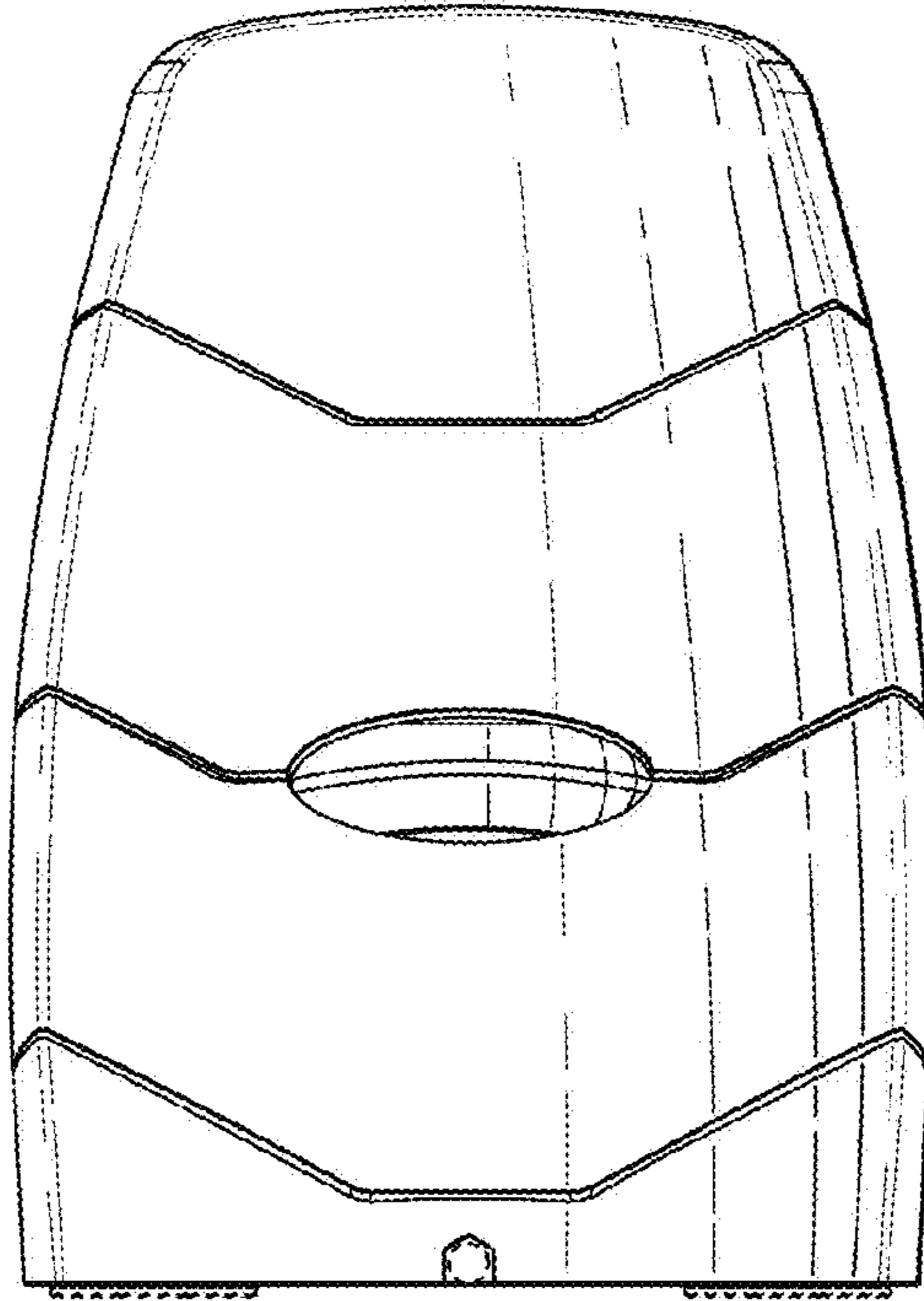


FIG. 9

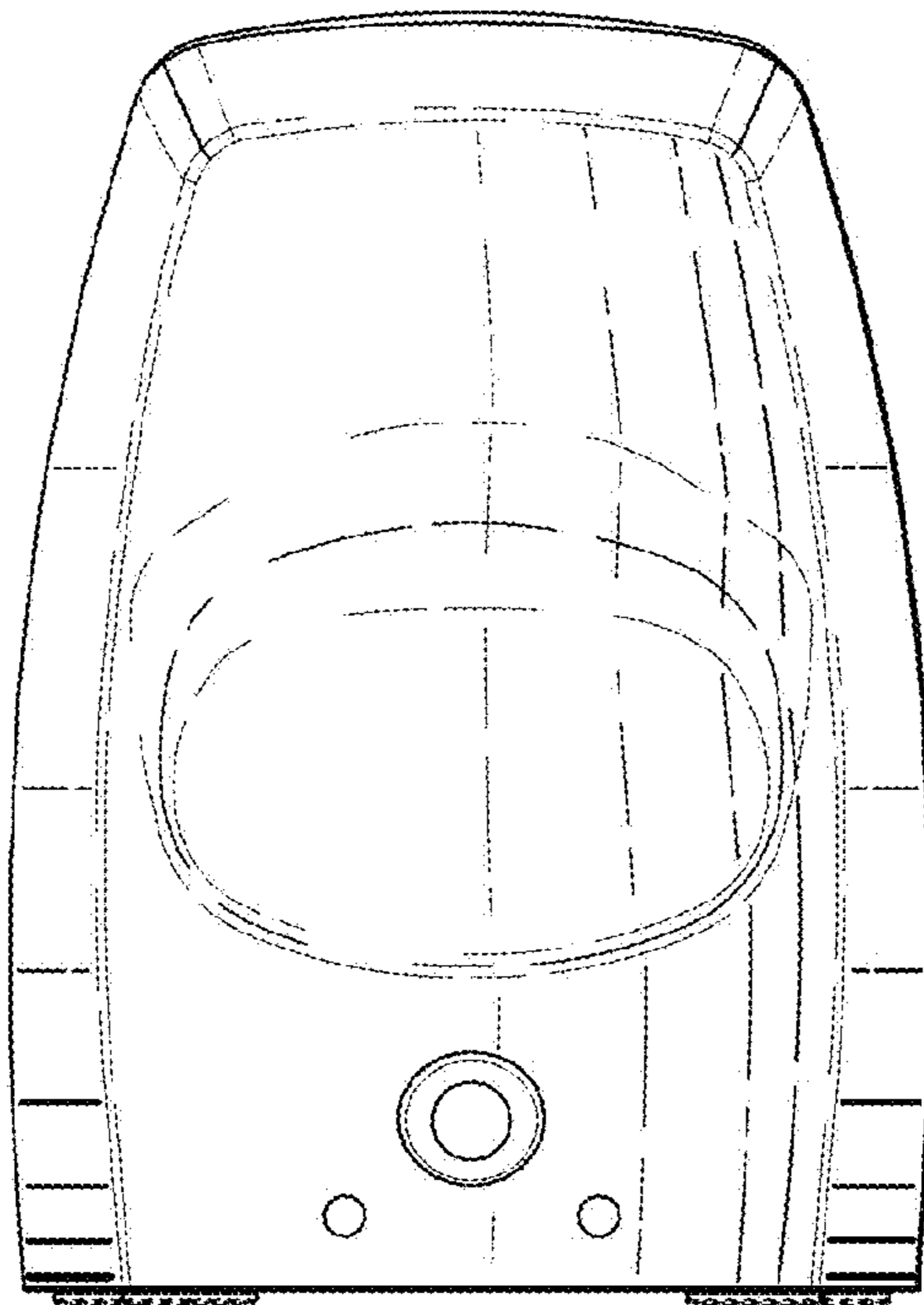


FIG. 10

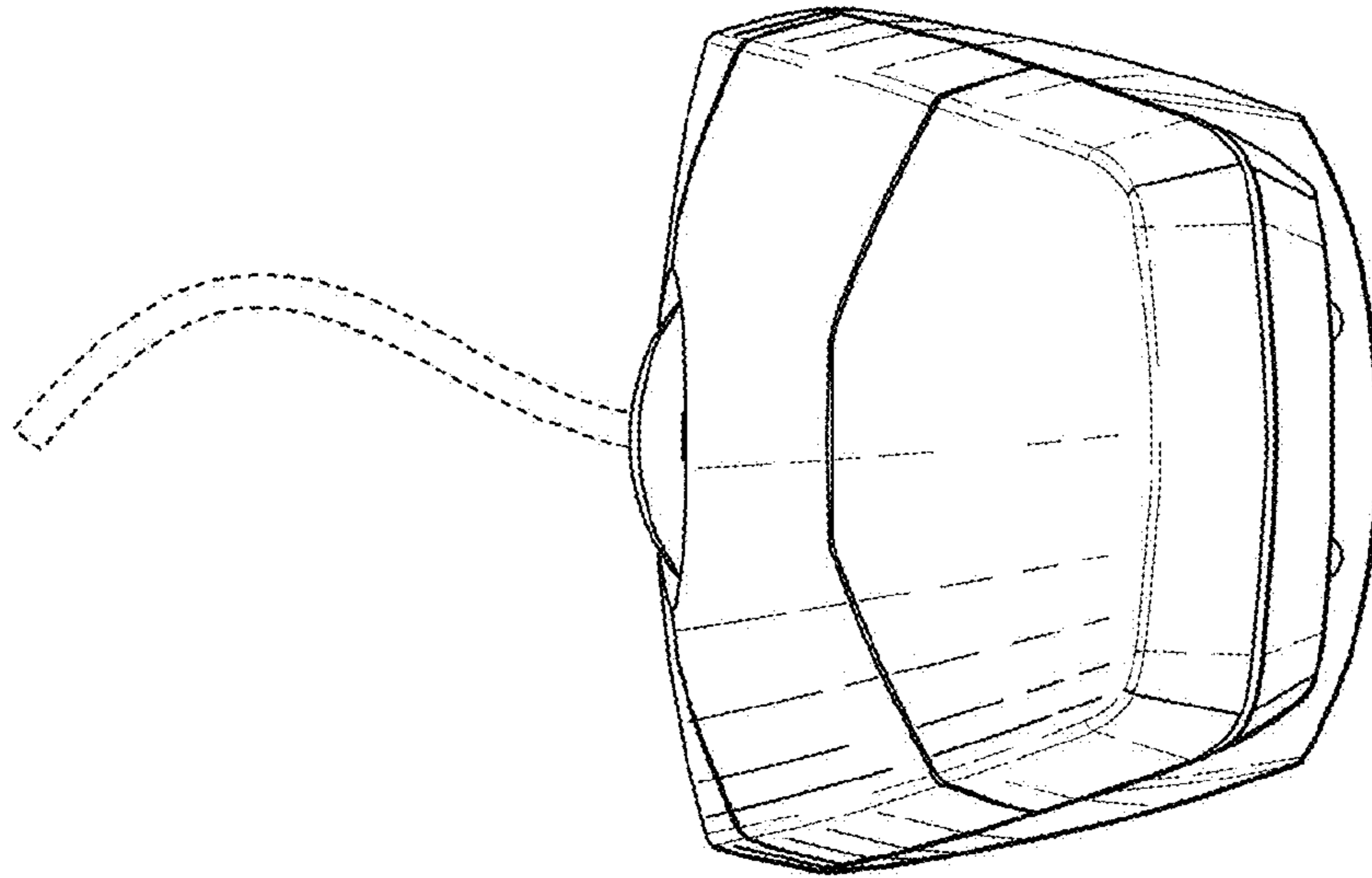


FIG. 11

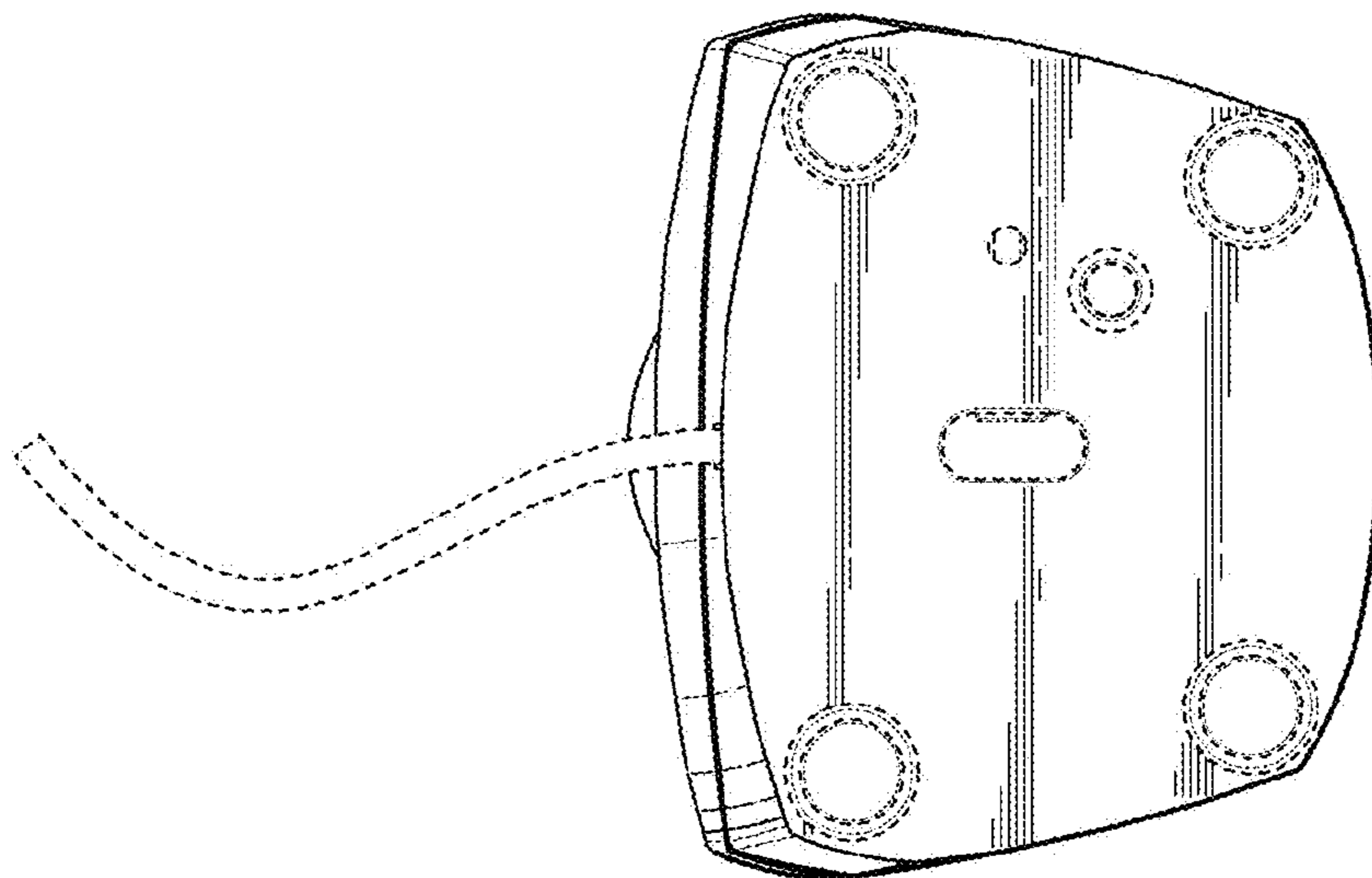


FIG. 12