



US00D647093S

(12) **United States Design Patent**
Kim et al.

(10) **Patent No.:** **US D647,093 S**

(45) **Date of Patent:** **** Oct. 18, 2011**

(54) **WIRELESS MOUSE**

(75) Inventors: **Dae-Joung Kim**, Seoul (KR); **Woo-Seok Lee**, Seoul (KR); **Sang-II Park**, Kyunggi-do (KR); **Soo-Jung Ham**, Seoul (KR)

(73) Assignee: **Samsung Electronics Co., Ltd.**, Suwon (KR)

(**) Term: **14 Years**

(21) Appl. No.: **29/390,424**

(22) Filed: **Apr. 25, 2011**

(30) **Foreign Application Priority Data**

Dec. 9, 2010 (KR) 30-2010-0053324

(51) **LOC (9) Cl.** **14-02**

(52) **U.S. Cl.** **D14/407**

(58) **Field of Classification Search** D14/402-411, D14/356, 388, 389, 383-385, 417, 426; 345/156-167; 463/36-38; 358/471, 473
See application file for complete search history.

(56) **References Cited**

U.S. PATENT DOCUMENTS

D305,331 S * 1/1990 Esslinger D14/407
D386,163 S * 11/1997 Cheng D14/407

D484,882 S * 1/2004 Wu D14/407
D534,168 S * 12/2006 Wada D14/407
D534,535 S * 1/2007 Tzeng et al. D14/407
D545,822 S * 7/2007 Murakami D14/407
D575,784 S * 8/2008 Chatterjee et al. D14/407
D577,725 S * 9/2008 Chatterjee et al. D14/407
D581,929 S * 12/2008 Chatterjee et al. D14/407
D590,399 S * 4/2009 Chen D14/407
D616,888 S * 6/2010 Chen D14/407

* cited by examiner

Primary Examiner — Austin Murphy

(74) *Attorney, Agent, or Firm* — Wood, Herron & Evans, LLP

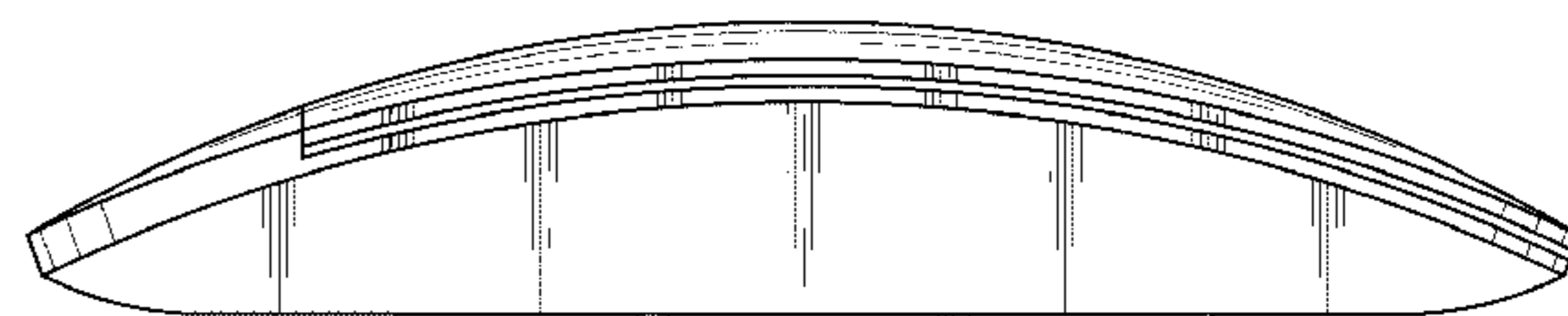
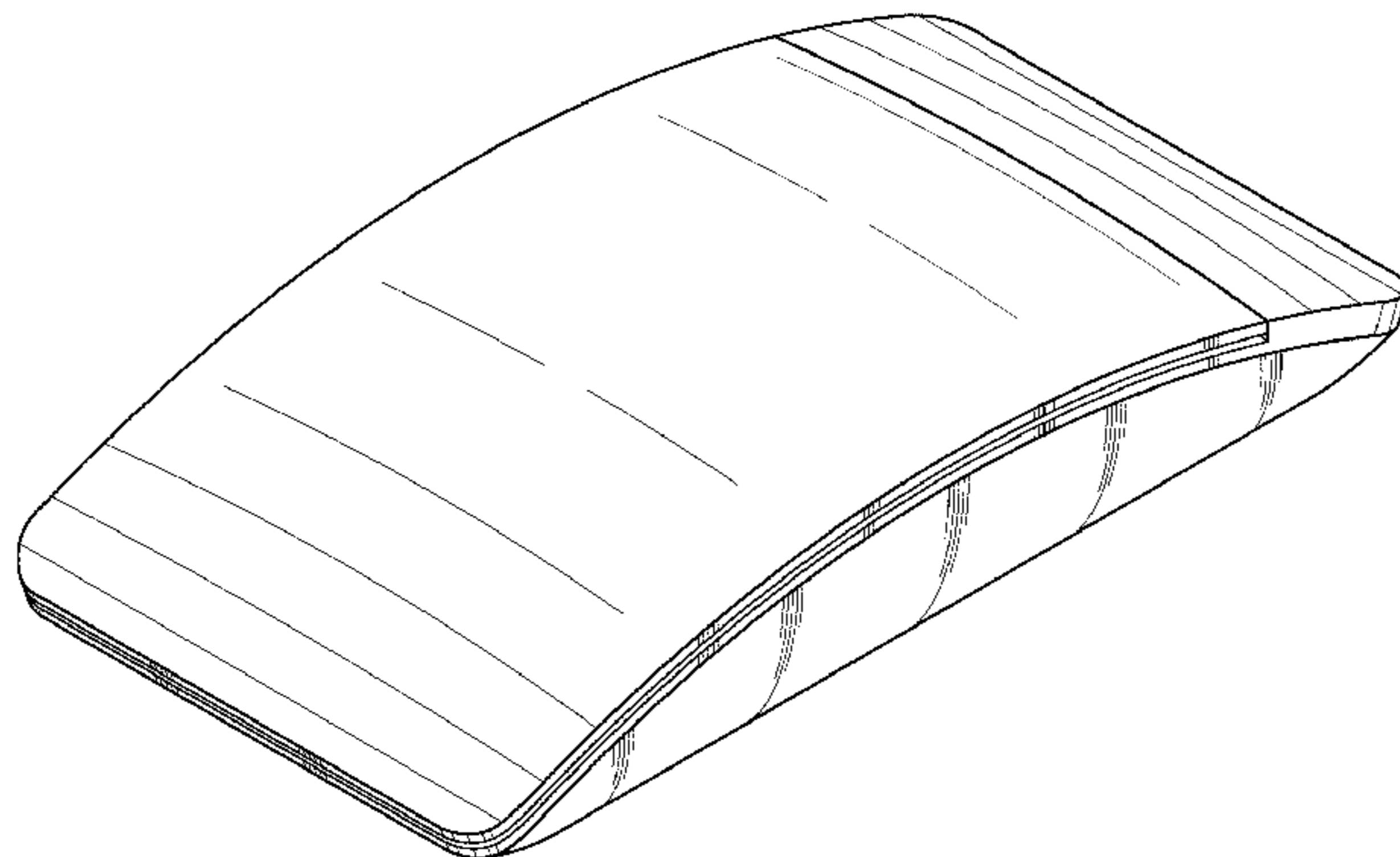
(57) **CLAIM**

The ornamental design for a wireless mouse, as shown and described.

DESCRIPTION

FIG. 1 is a top front perspective view of a wireless mouse showing our new design;
FIG. 2 is a front elevational view thereof;
FIG. 3 is a rear elevational view thereof;
FIG. 4 is a left side elevational view thereof;
FIG. 5 is a right side elevational view thereof;
FIG. 6 is a top plan view thereof; and,
FIG. 7 is a bottom plan view thereof.

1 Claim, 3 Drawing Sheets



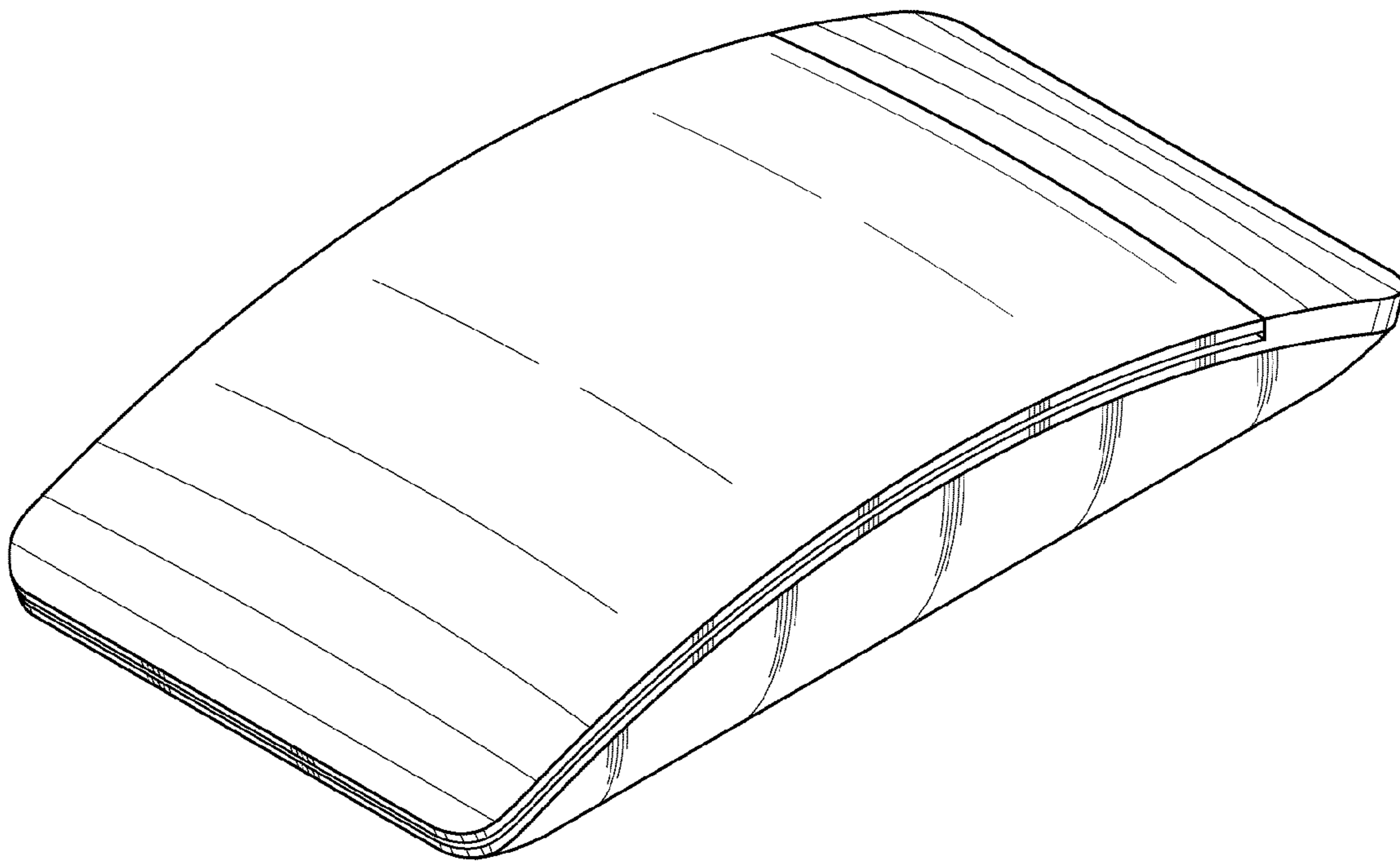


FIG.1

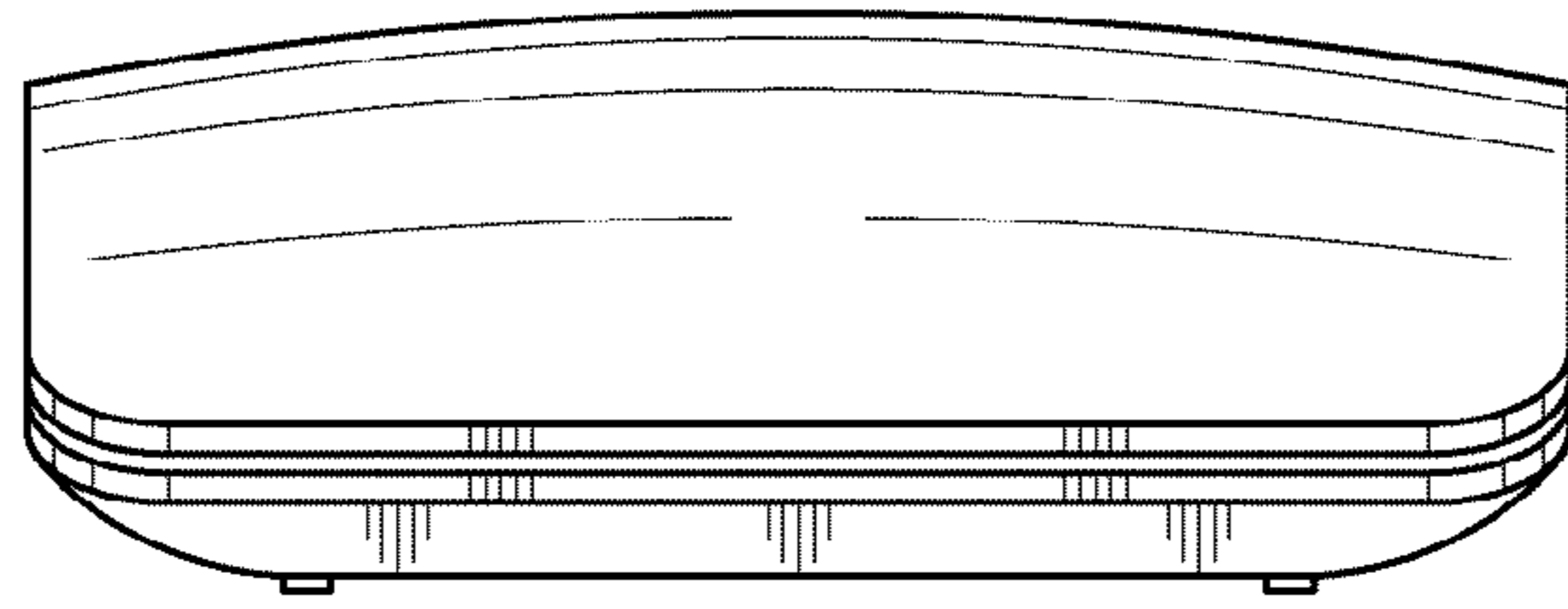


FIG. 2

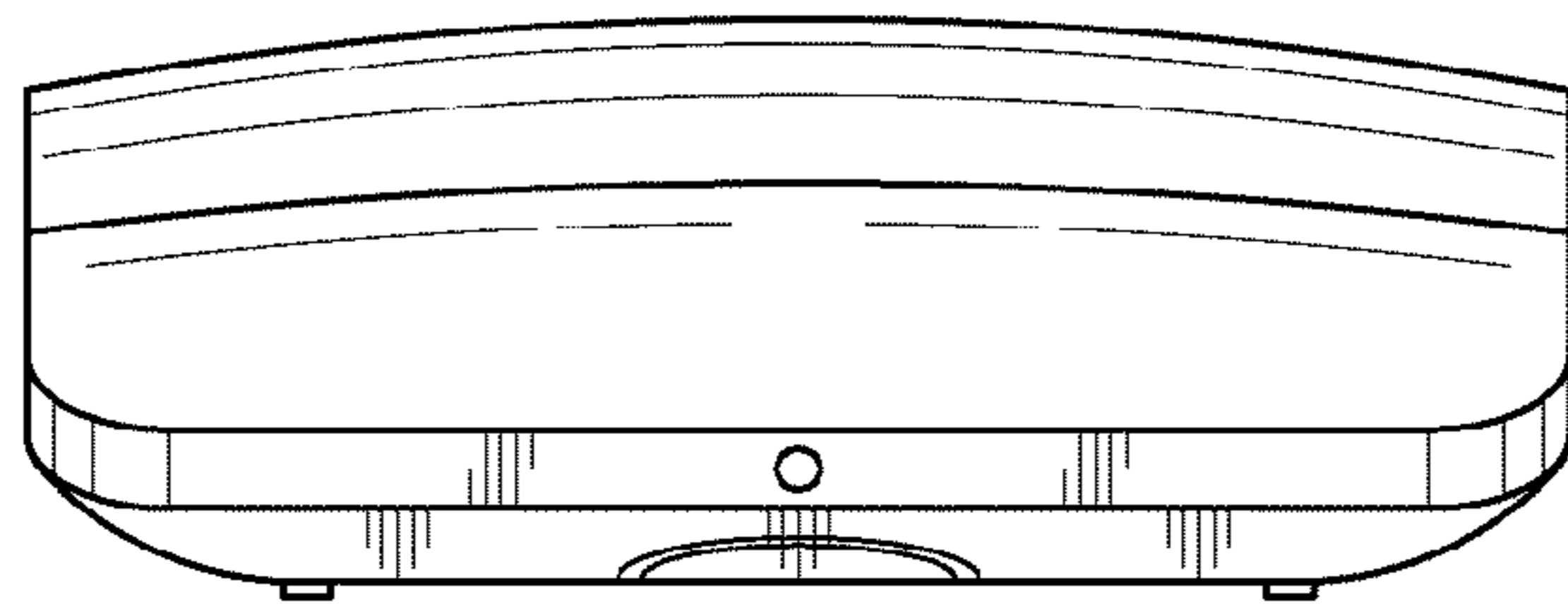


FIG. 3

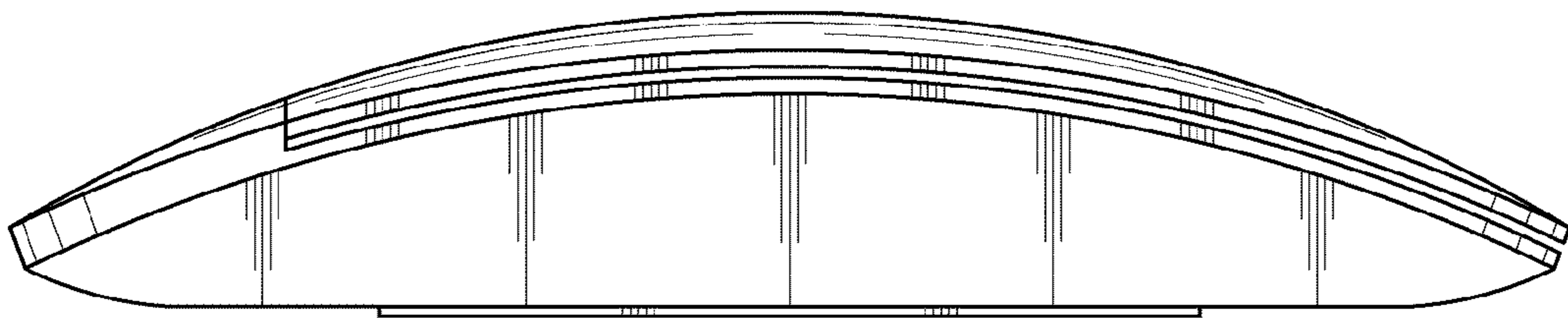


FIG. 4

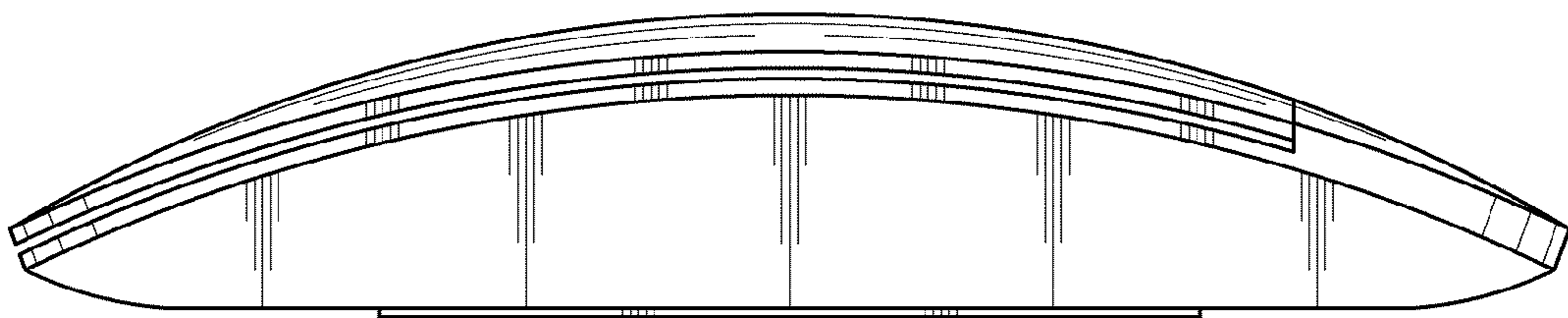


FIG. 5

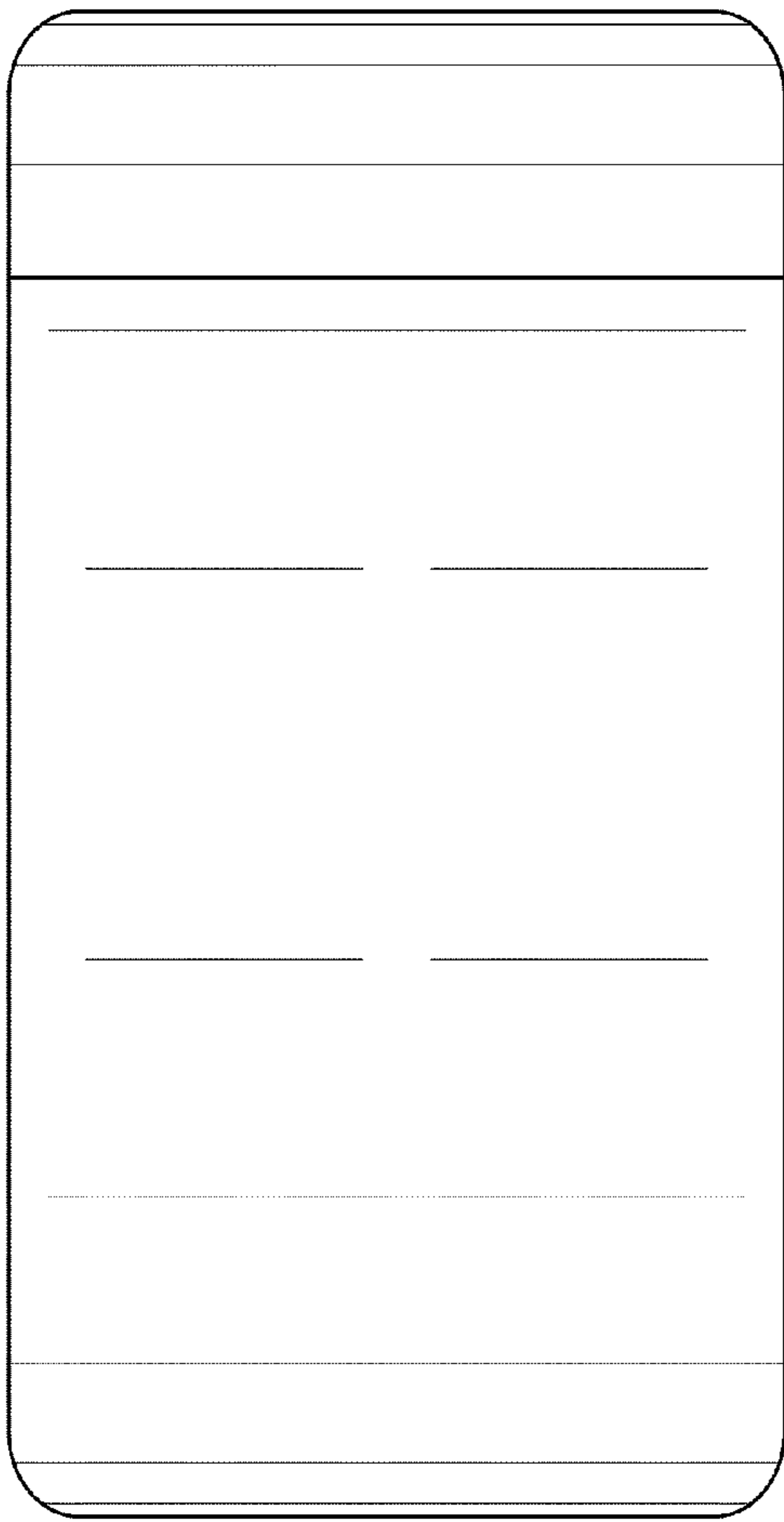


FIG. 6

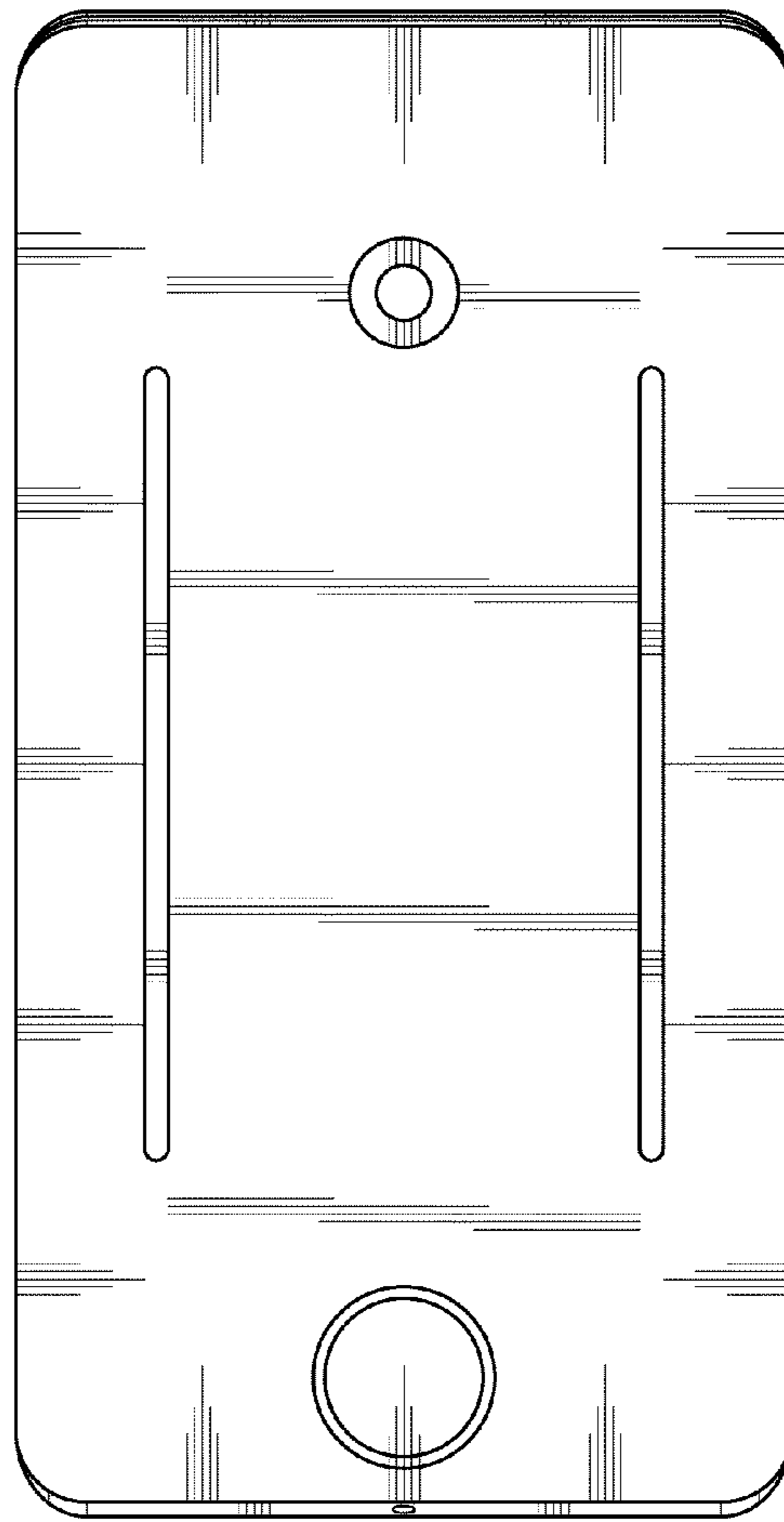


FIG. 7