



US00D647090S

(12) **United States Design Patent**
Chen et al.

(10) **Patent No.:** **US D647,090 S**

(45) **Date of Patent:** **** Oct. 18, 2011**

(54) **COMPUTER ENCLOSURE**

(75) Inventors: **Yun-Lung Chen**, Taipei Hsien (TW);
Hong-Jin Wu, Shenzhen (CN);
Song-Tao Xie, Shenzhen (CN)

(73) Assignee: **Hon Hai Precision Industry Co., Ltd.**,
Tu-Cheng, New Taipei (TW)

(**) Term: **14 Years**

(21) Appl. No.: **29/381,764**

(22) Filed: **Dec. 22, 2010**

(51) **LOC (9) Cl.** **14-02**

(52) **U.S. Cl.** **D14/349**

(58) **Field of Classification Search** D14/349-356,
D14/300, 301, 308; D13/162, 184, 199;
312/223.1-223.2; 360/99.01-99.12; 369/34.01,
369/36.01; 361/679.01, 679.6, 679.22
See application file for complete search history.

(56) **References Cited**

U.S. PATENT DOCUMENTS

D289,872 S * 5/1987 Nuttall et al. D14/351
5,248,193 A * 9/1993 Schlemmer 312/223.2
D351,147 S * 10/1994 Hill D14/351
D389,088 S * 1/1998 Murphy D14/351
D447,479 S * 9/2001 Tierney D14/351

6,549,397 B1 * 4/2003 Diaz et al. 361/679.6
D514,563 S * 2/2006 Kuramashi et al. D14/358
D542,810 S * 5/2007 Tanaka et al. D15/20
D563,953 S * 3/2008 Tosh et al. D14/349
2002/0105253 A1 * 8/2002 Diaz et al. 312/265.6
2003/0122457 A1 * 7/2003 Diaz et al. 312/223.2

* cited by examiner

Primary Examiner — Freda Nunn

(74) *Attorney, Agent, or Firm* — Altis Law Group, Inc.

(57) **CLAIM**

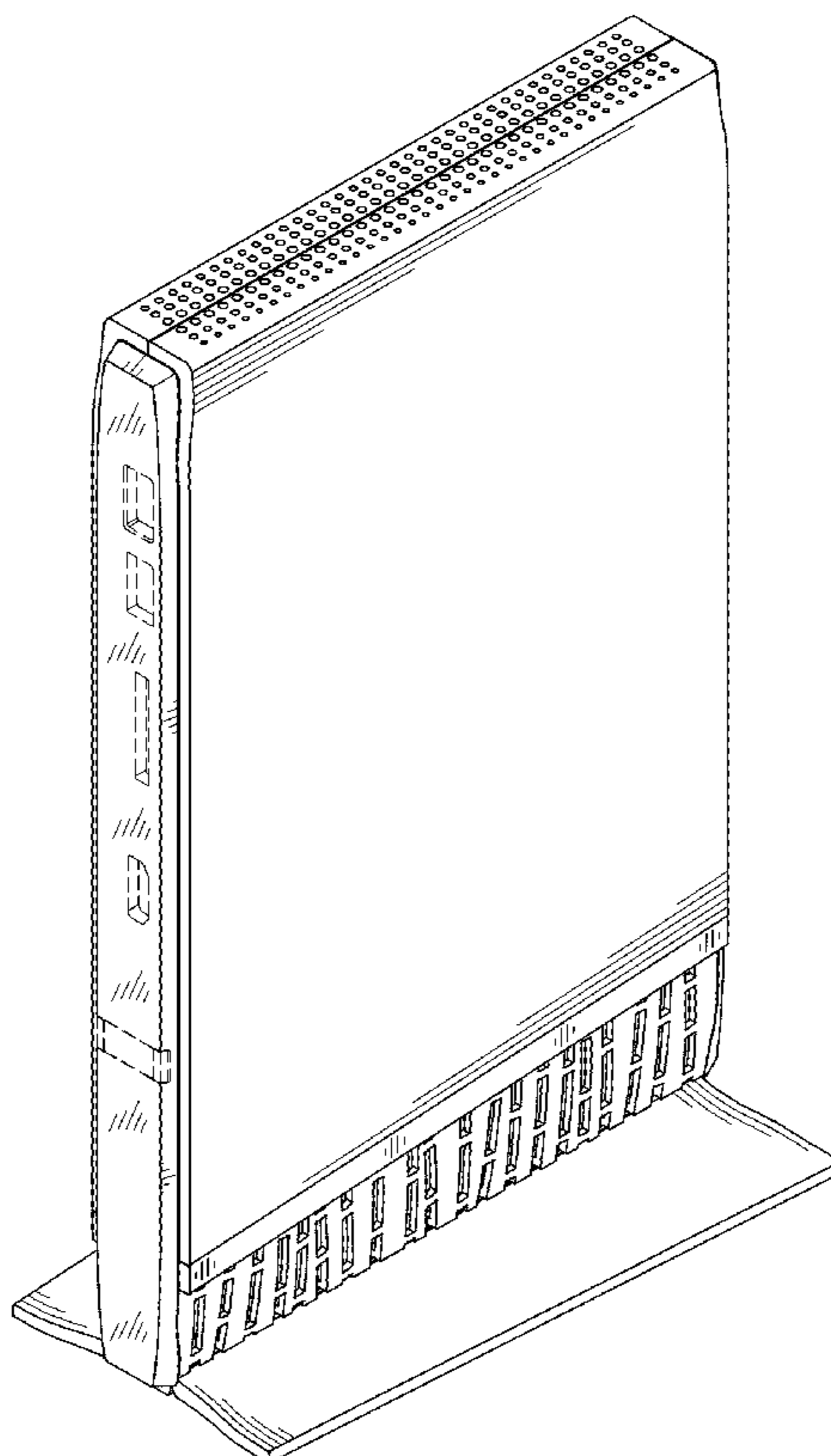
The ornamental design for a computer enclosure, as shown and described.

DESCRIPTION

FIG. 1 is a perspective view of the computer enclosure showing our new design;
FIG. 2 is a front elevational view thereof;
FIG. 3 is a rear elevational view thereof;
FIG. 4 is a left side elevational view thereof;
FIG. 5 is a right side elevational view thereof;
FIG. 6 is a top plan view thereof; and,
FIG. 7 is a bottom plan view thereof.

The broken lines showing of portions of the computer enclosure are for the purpose of illustrating environmental structure and form no part of the claimed design.

1 Claim, 7 Drawing Sheets



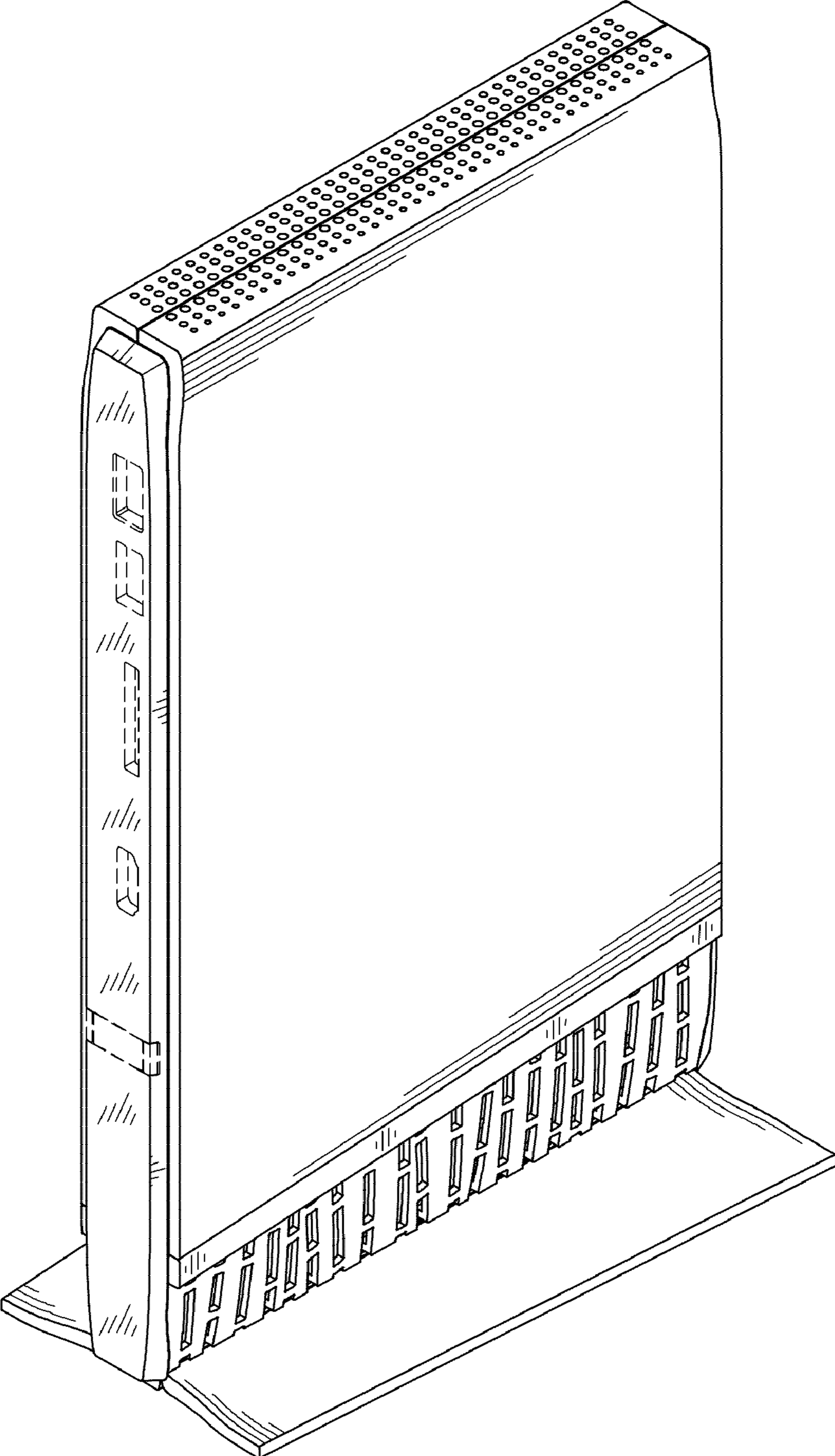


FIG. 1

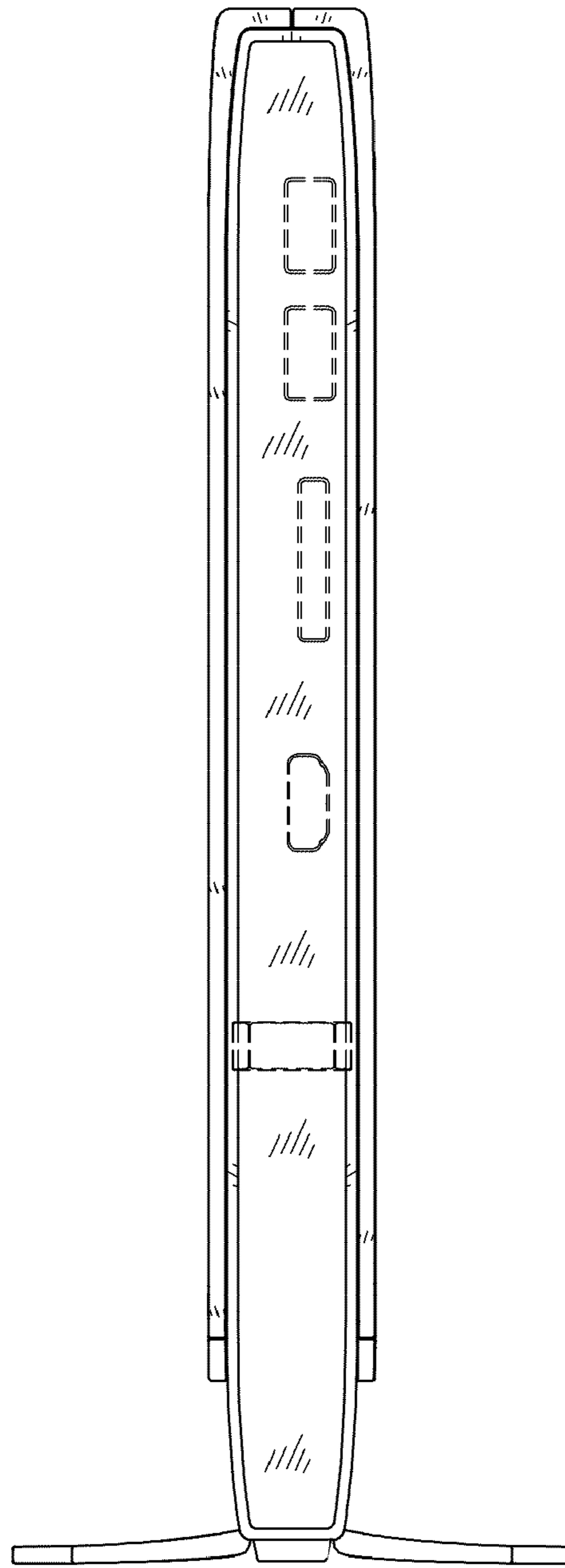


FIG. 2

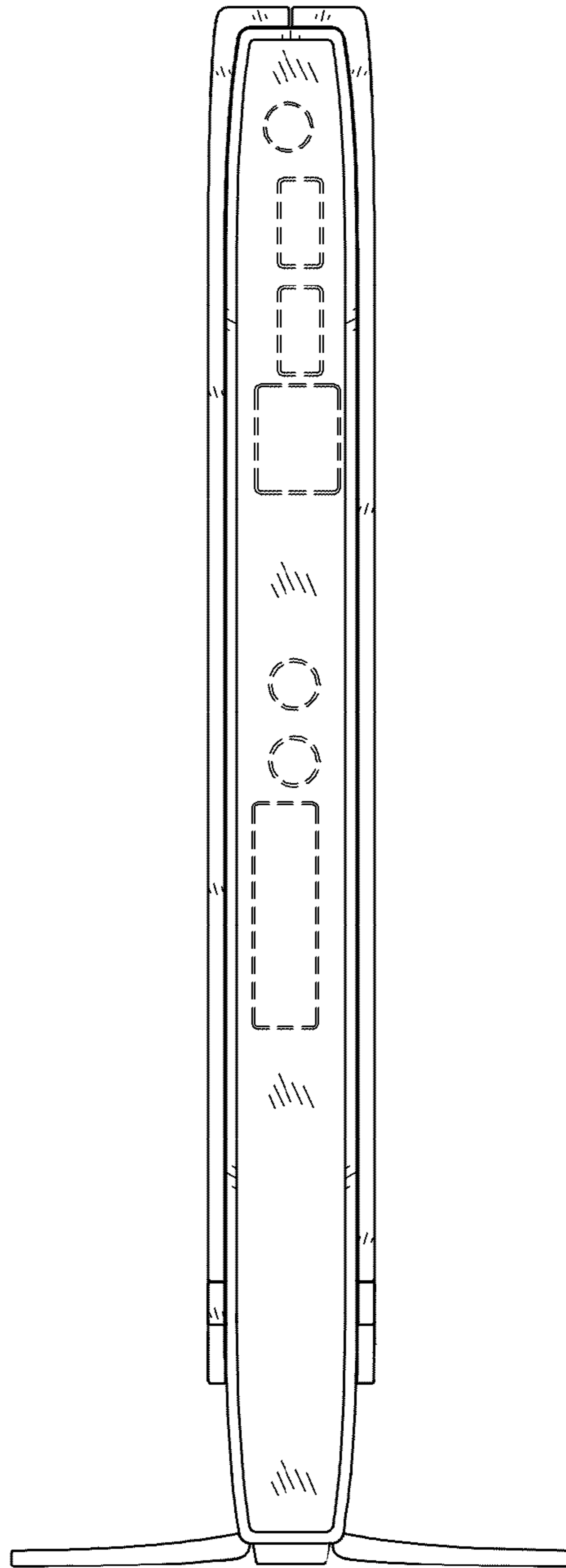


FIG. 3

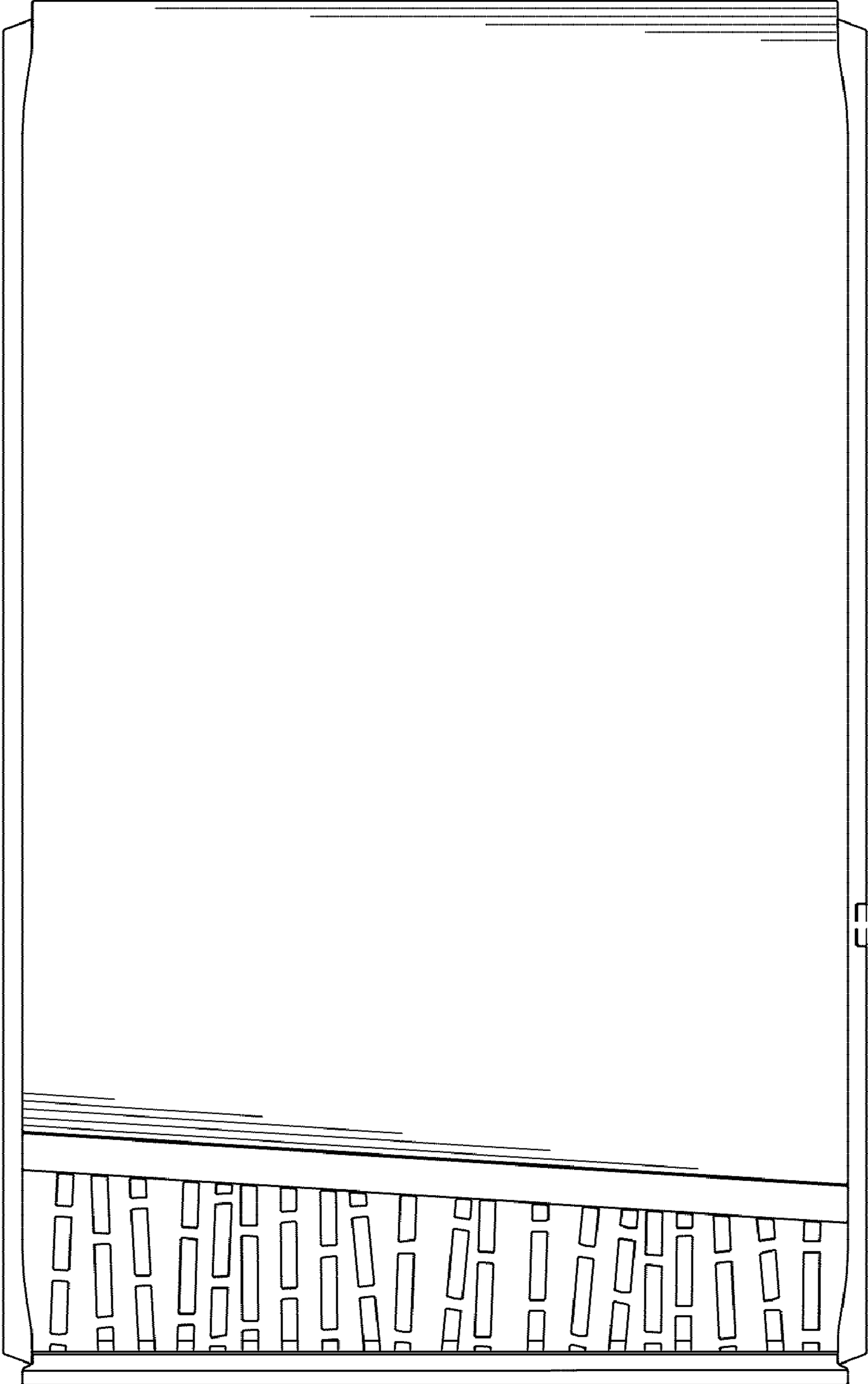


FIG. 4

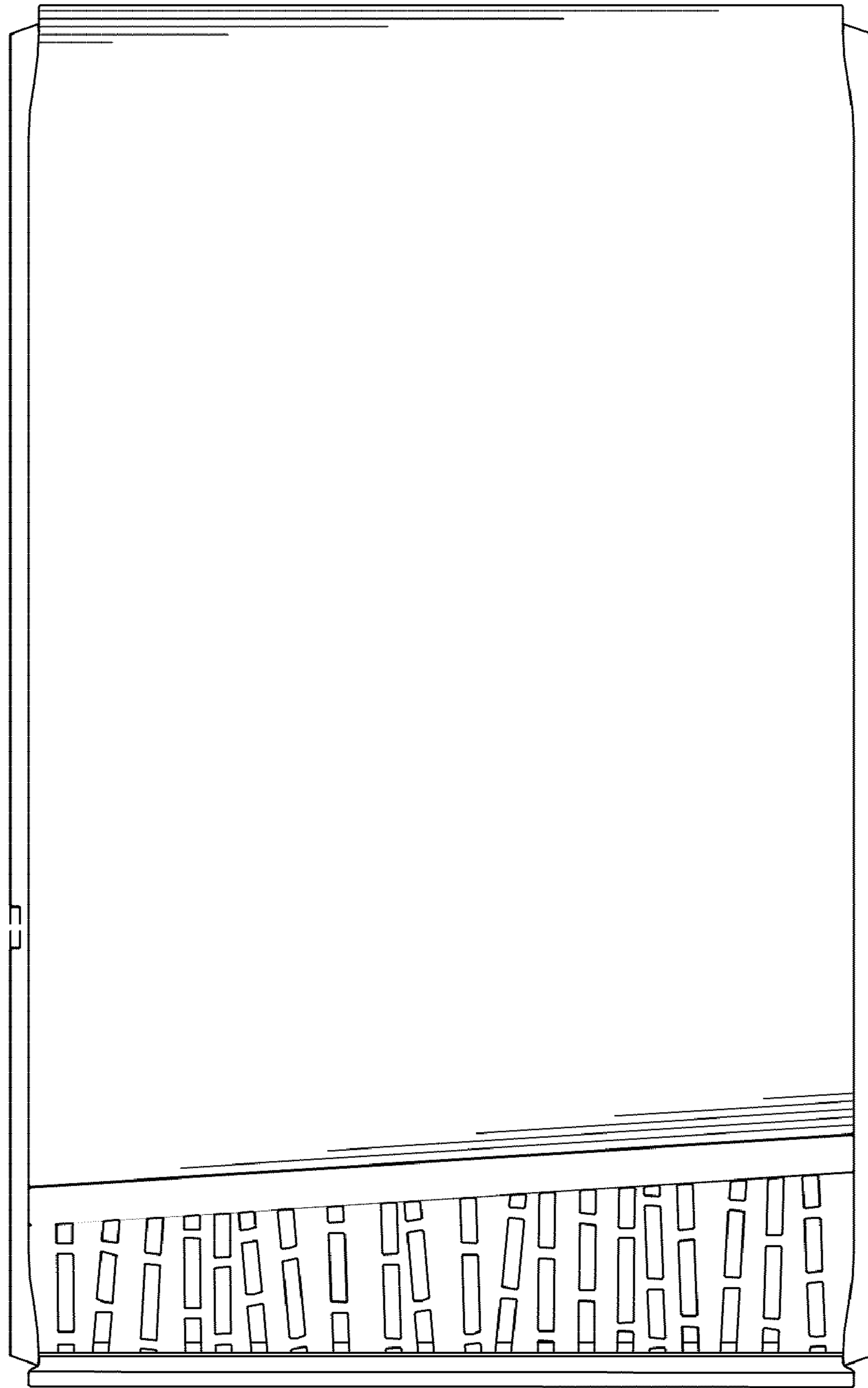


FIG. 5

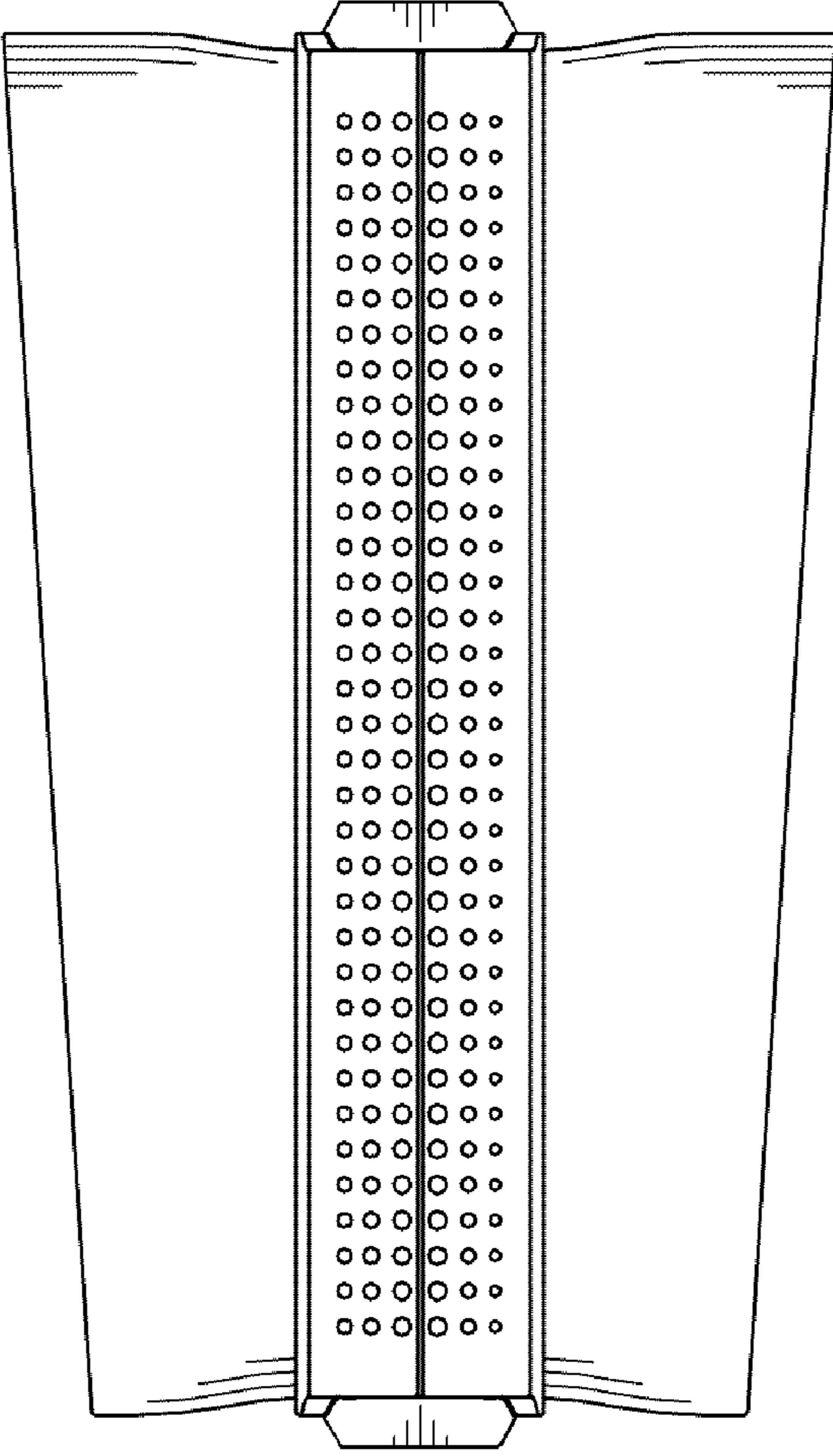


FIG. 6

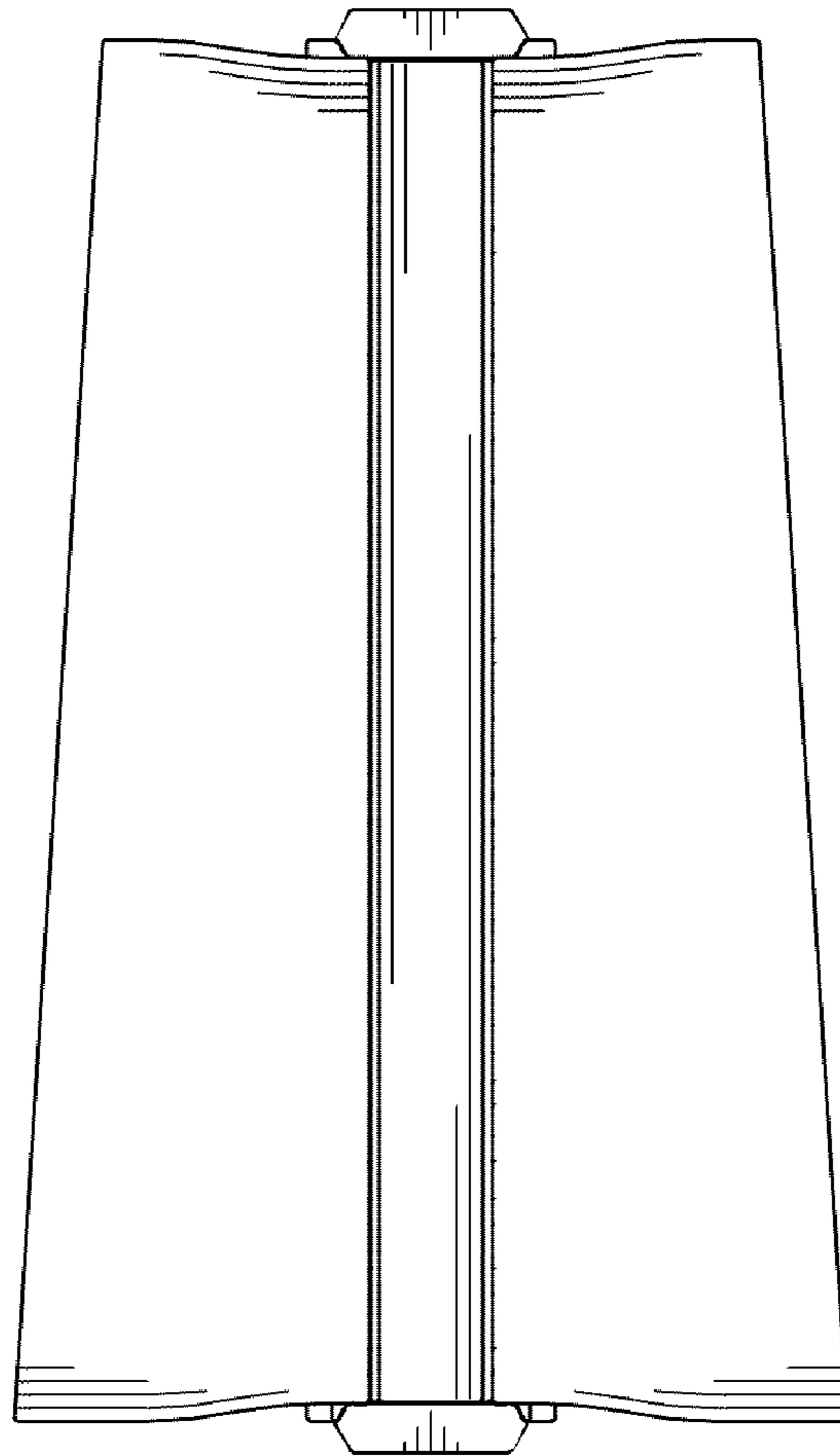


FIG. 7