



US00D647088S

(12) **United States Design Patent**
Chen et al.

(10) **Patent No.:** **US D647,088 S**
(45) **Date of Patent:** **** Oct. 18, 2011**

- (54) **COMPUTER ENCLOSURE**
- (75) Inventors: **Yun-Lung Chen**, Taipei Hsien (TW);
Hong-Jin Wu, Shenzhen (CN);
Song-Tao Xie, Shenzhen (CN)
- (73) Assignee: **Hon Hai Precision Industry Co., Ltd.**,
Tu-Cheng, New Taipei (TW)
- (**) Term: **14 Years**
- (21) Appl. No.: **29/380,101**
- (22) Filed: **Nov. 30, 2010**
- (51) **LOC (9) Cl.** **14-02**
- (52) **U.S. Cl.** **D14/349**
- (58) **Field of Classification Search** D14/349-356,
D14/300, 301, 308, 388; D13/162, 184,
D13/199; 312/223.1-223.2; 360/99.01-99.12;
369/34.01, 36.01; 361/600, 679.31-679.39,
361/679.58
See application file for complete search history.

- 6,297,952 B1 * 10/2001 Liu et al. 361/679.31
- 6,549,398 B2 * 4/2003 Chen 361/679.58
- D478,077 S * 8/2003 Poole et al. D14/349
- D481,388 S * 10/2003 Tanaka D14/356
- D545,308 S * 6/2007 Lauffer et al. D14/349
- D625,718 S * 10/2010 Lee et al. D14/349
- 2003/0122457 A1 * 7/2003 Diaz et al. 312/223.2

* cited by examiner

Primary Examiner — Freda Nunn

(74) *Attorney, Agent, or Firm* — Altis Law Group, Inc.

(57) **CLAIM**

The ornamental design for a computer enclosure, as shown and described.

DESCRIPTION

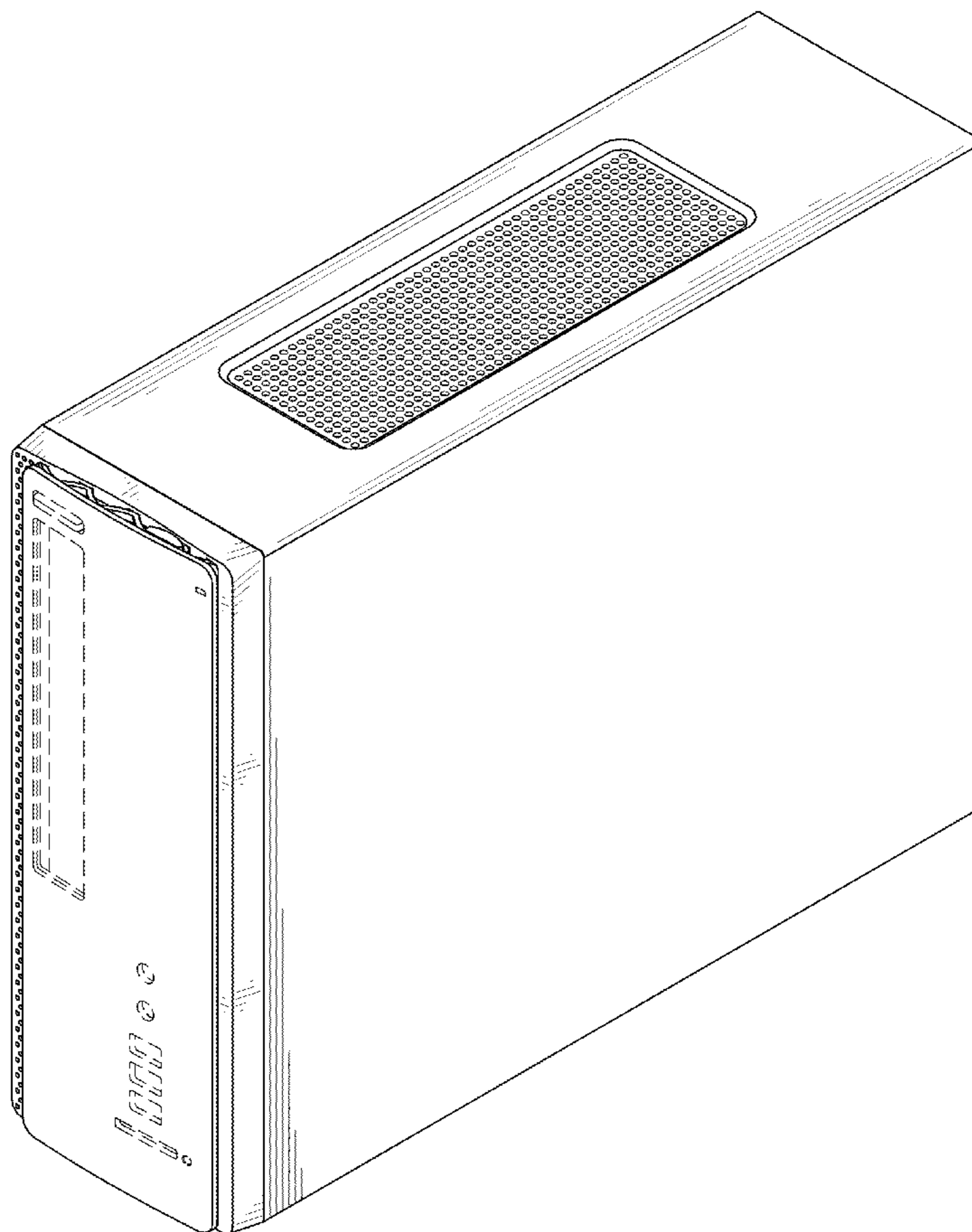
FIG. 1 is a perspective view of the computer enclosure showing our new design;
 FIG. 2 is a front elevational view thereof;
 FIG. 3 is a left elevational view thereof;
 FIG. 4 is a right side elevational view thereof;
 FIG. 5 is a top plan view thereof; and,
 FIG. 6 is a bottom plan view thereof.
 The broken lines showing of portions of the computer enclosure are for the purpose of illustrating environmental structure and form no part of the claimed design.

1 Claim, 6 Drawing Sheets

(56) **References Cited**

U.S. PATENT DOCUMENTS

- 5,248,193 A * 9/1993 Schlemmer 312/223.2
- D428,005 S * 7/2000 Takizawa et al. D14/349



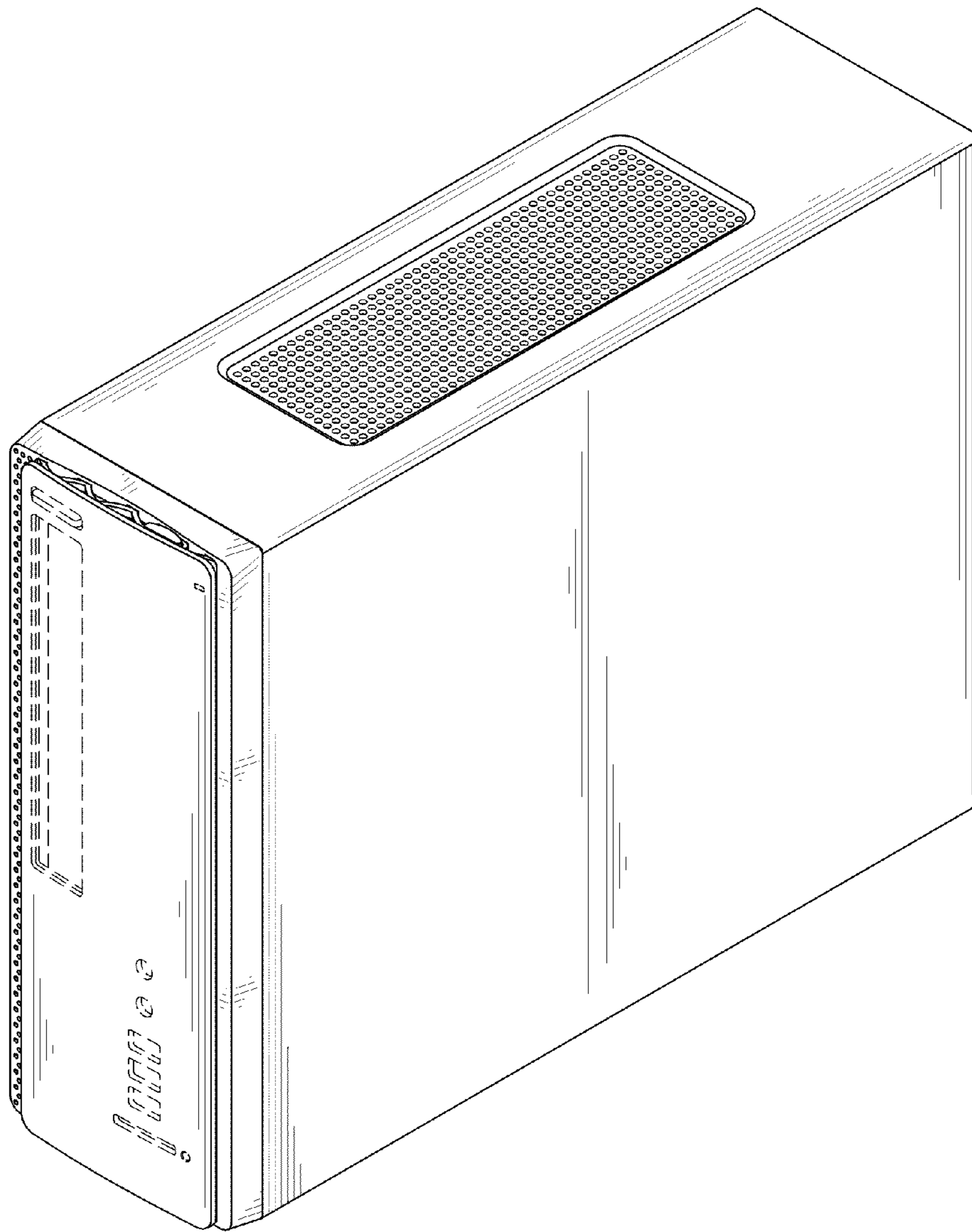


FIG. 1

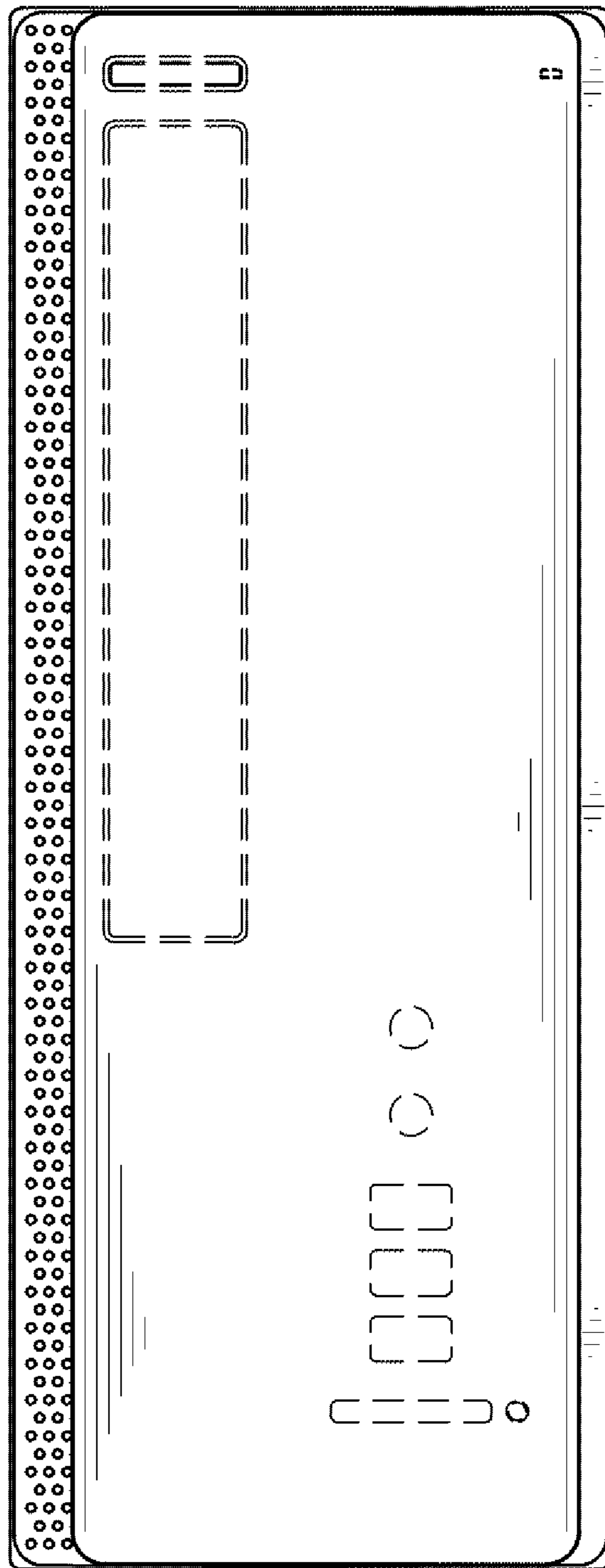


FIG. 2

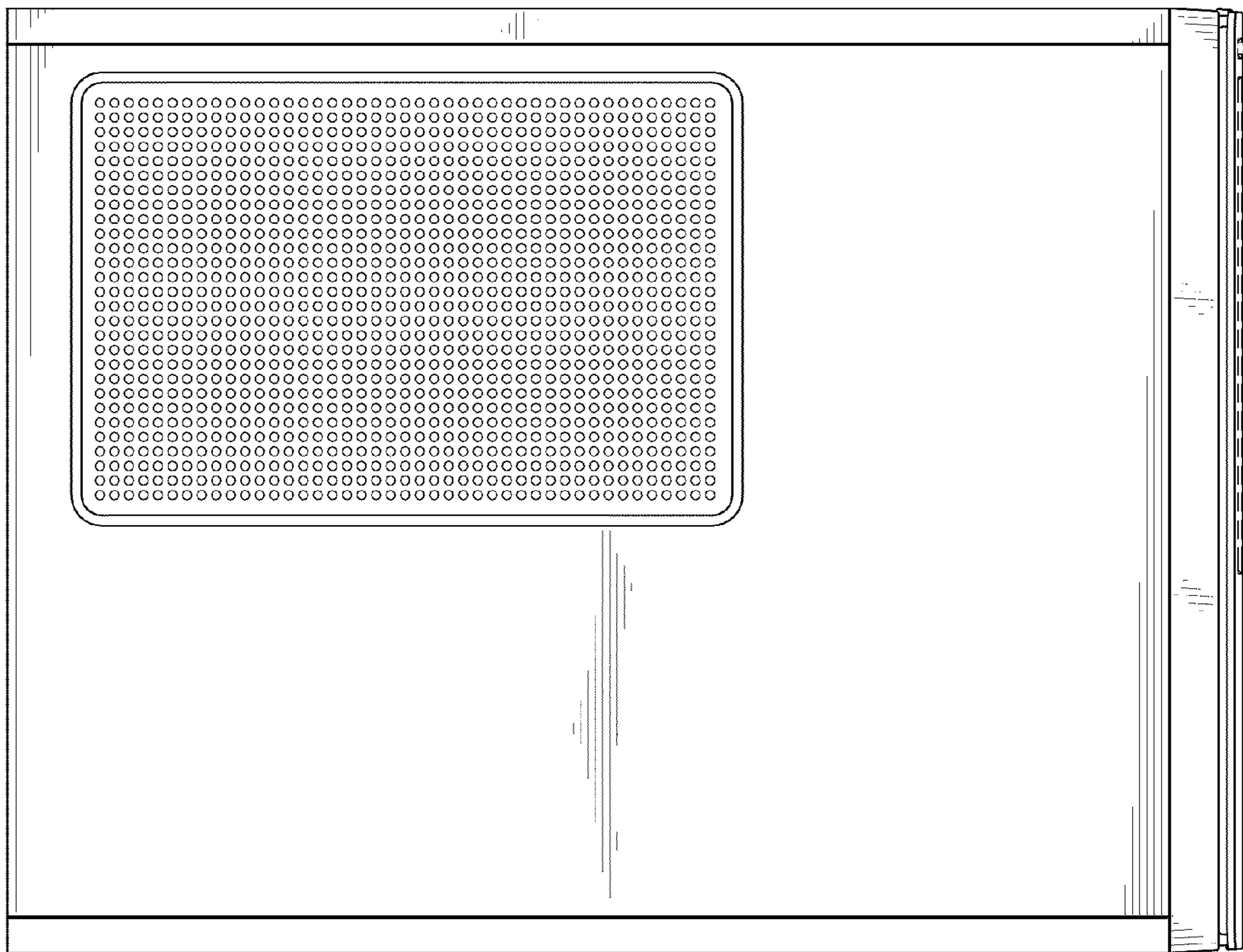


FIG. 3

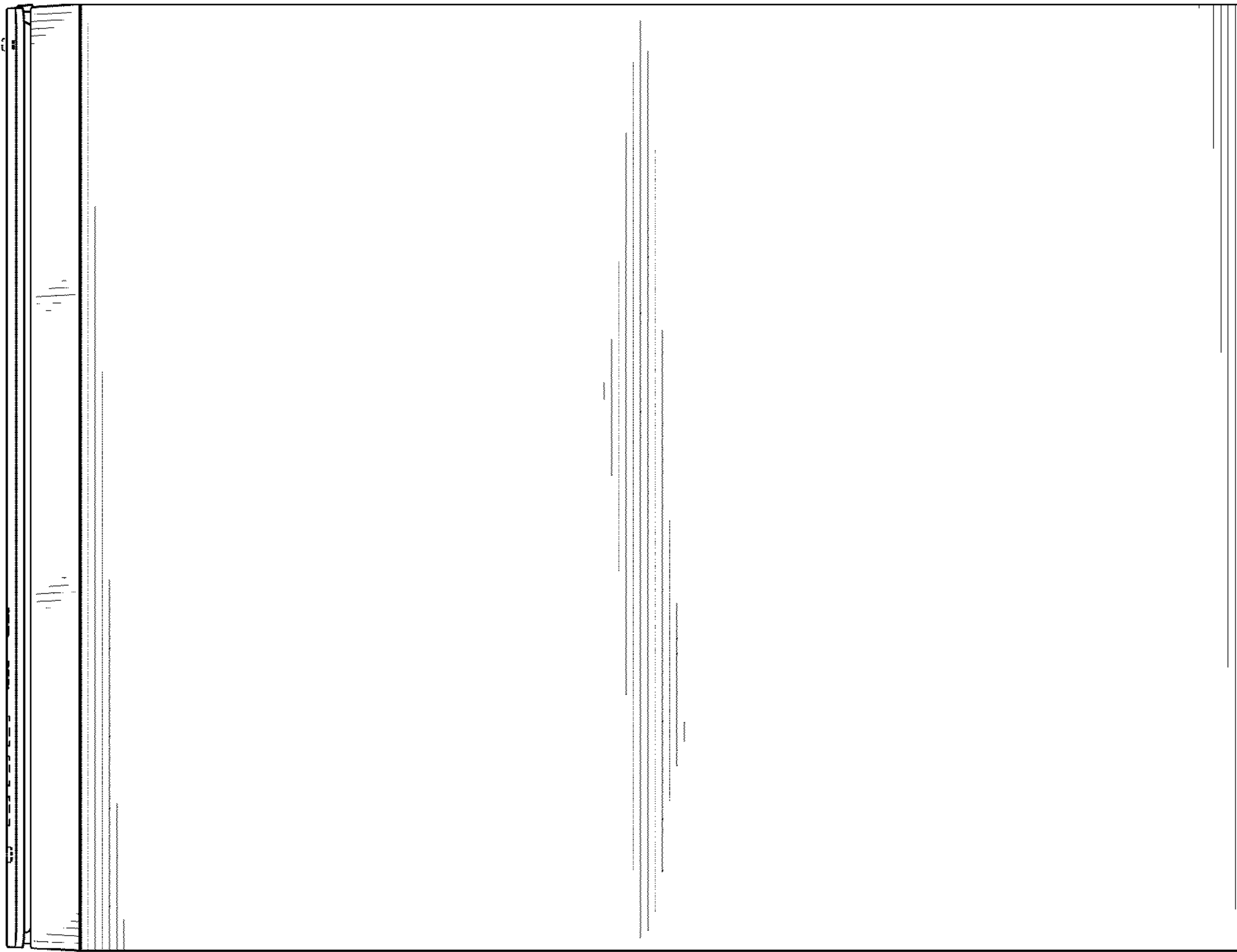


FIG. 4

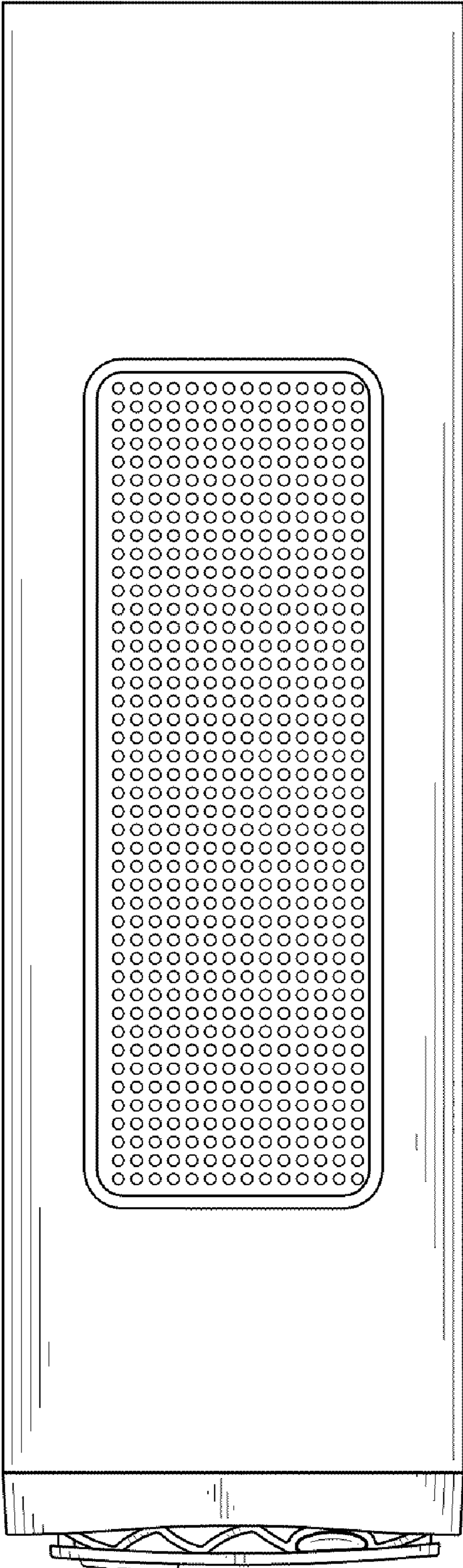


FIG. 5

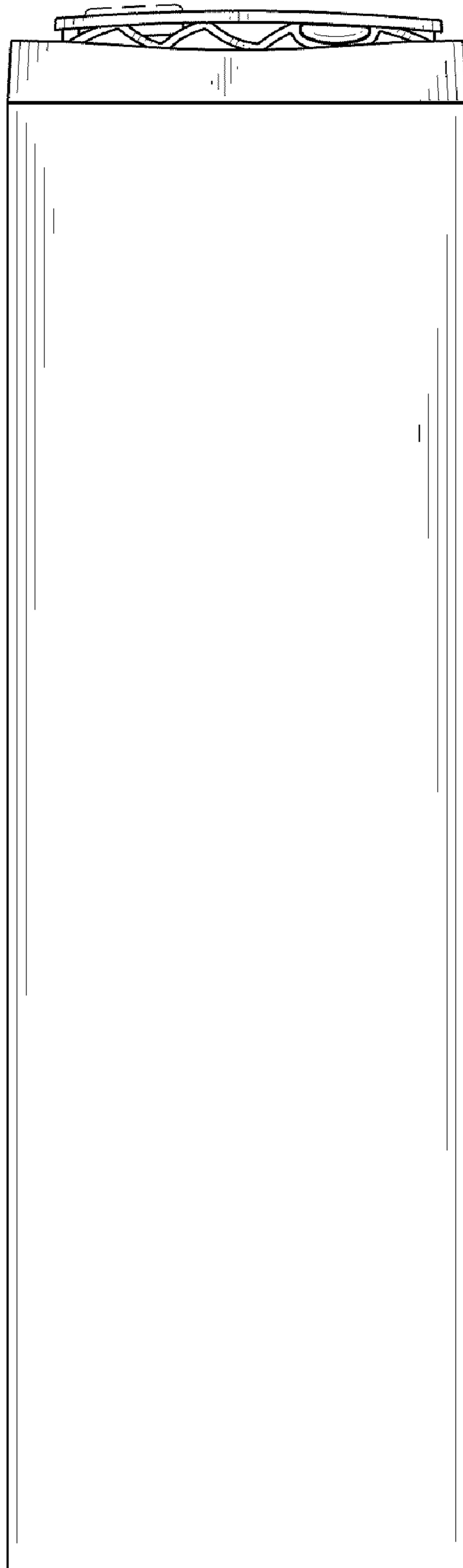


FIG. 6