



US00D647087S

(12) **United States Design Patent**
Chen et al.

(10) **Patent No.:** **US D647,087 S**

(45) **Date of Patent:** **** Oct. 18, 2011**

(54) **COMPUTER ENCLOSURE**

(75) Inventors: **Yun-Lung Chen**, Taipei Hsien (TW);
Hong-Jin Wu, Shenzhen (CN); **Qun Wang**, Shenzhen (CN)

(73) Assignee: **Hon Hai Precision Industry Co., Ltd.**,
Tu-Cheng, New Taipei (TW)

(**) Term: **14 Years**

(21) Appl. No.: **29/381,763**

(22) Filed: **Dec. 22, 2010**

(51) **LOC (9) Cl.** **14-02**

(52) **U.S. Cl.** **D14/348**

(58) **Field of Classification Search** D14/349–356,
D14/300, 301, 308; D13/162, 184, 199;
312/223.1–223.2; 360/99.01–99.12; 369/34.01,
369/36.01; 361/679.01, 679.6, 679.22
See application file for complete search history.

(56) **References Cited**

U.S. PATENT DOCUMENTS

D322,778 S * 12/1991 Kline et al. D14/354
D345,964 S * 4/1994 Hultgren et al. D14/313
D471,193 S * 3/2003 Chen et al. D14/348

6,549,397 B1 * 4/2003 Diaz et al. 361/679.6
D545,308 S * 6/2007 Lauffer et al. D14/349
D625,718 S * 10/2010 Lee et al. D14/349
2003/0122457 A1 * 7/2003 Diaz et al. 312/223.2

* cited by examiner

Primary Examiner — Freda Nunn

(74) *Attorney, Agent, or Firm* — Altis Law Group, Inc.

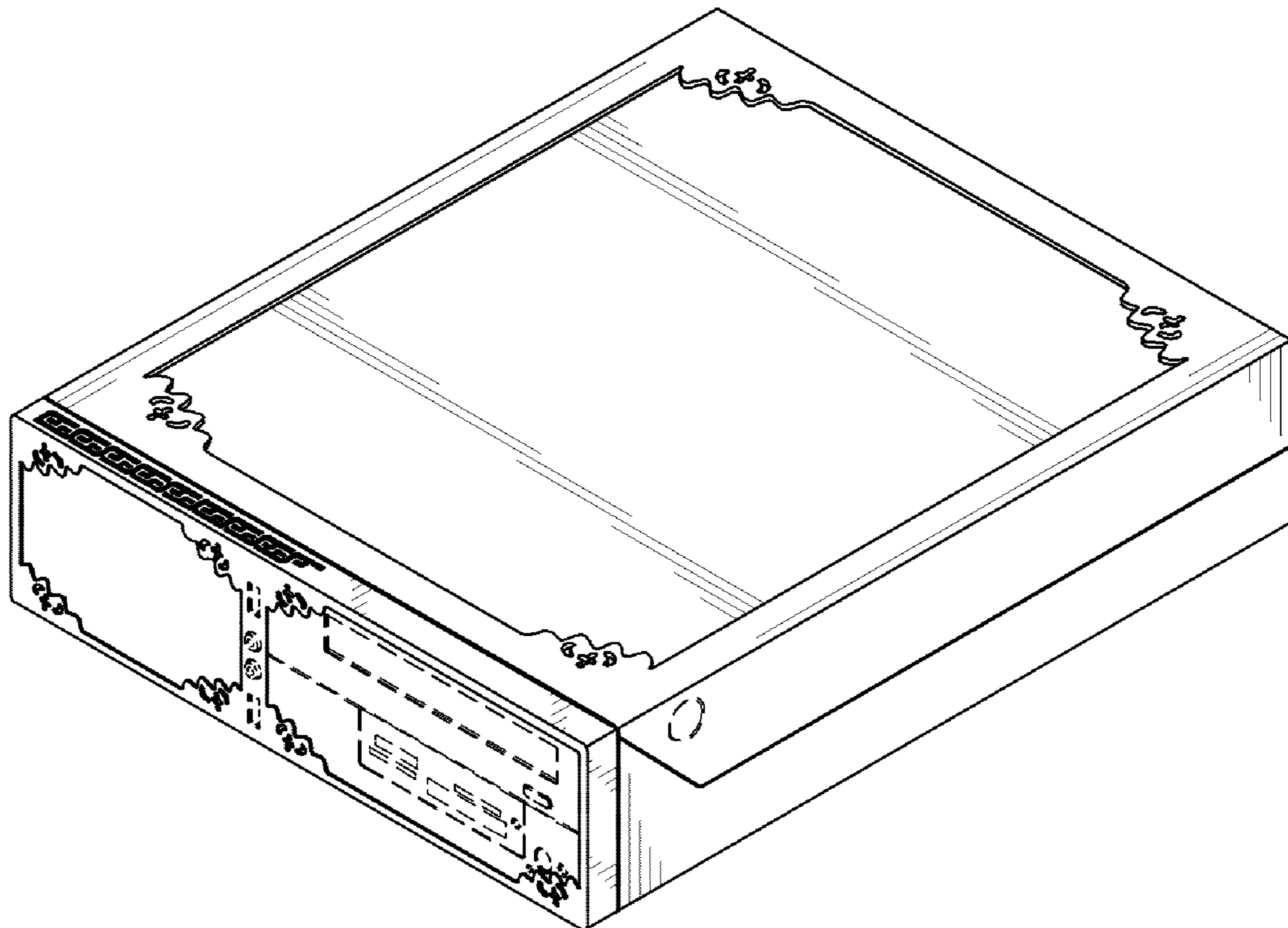
(57) **CLAIM**

The ornamental design for a computer enclosure, as shown and described.

DESCRIPTION

FIG. 1 is a perspective view of the computer enclosure showing our new design;
FIG. 2 is a front elevational view thereof;
FIG. 3 is a rear elevational view thereof;
FIG. 4 is a left side elevational view thereof;
FIG. 5 is a right side elevational view thereof;
FIG. 6 is a top plan view thereof; and,
FIG. 7 is a bottom plan view thereof.
The broken lines showing of portions of the computer enclosure are for the purpose of illustrating environmental structure and form no part of the claimed design.

1 Claim, 7 Drawing Sheets



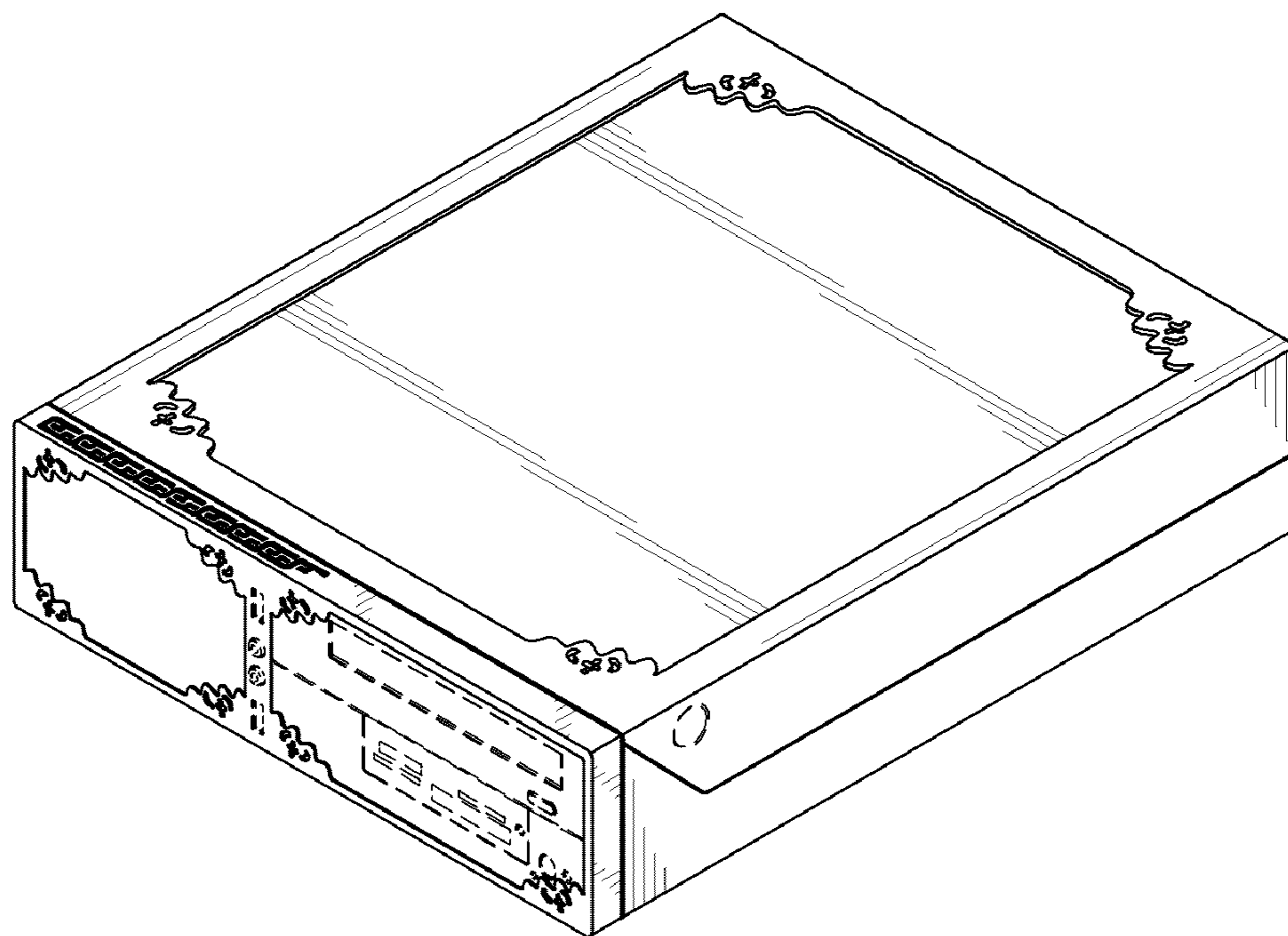


FIG. 1

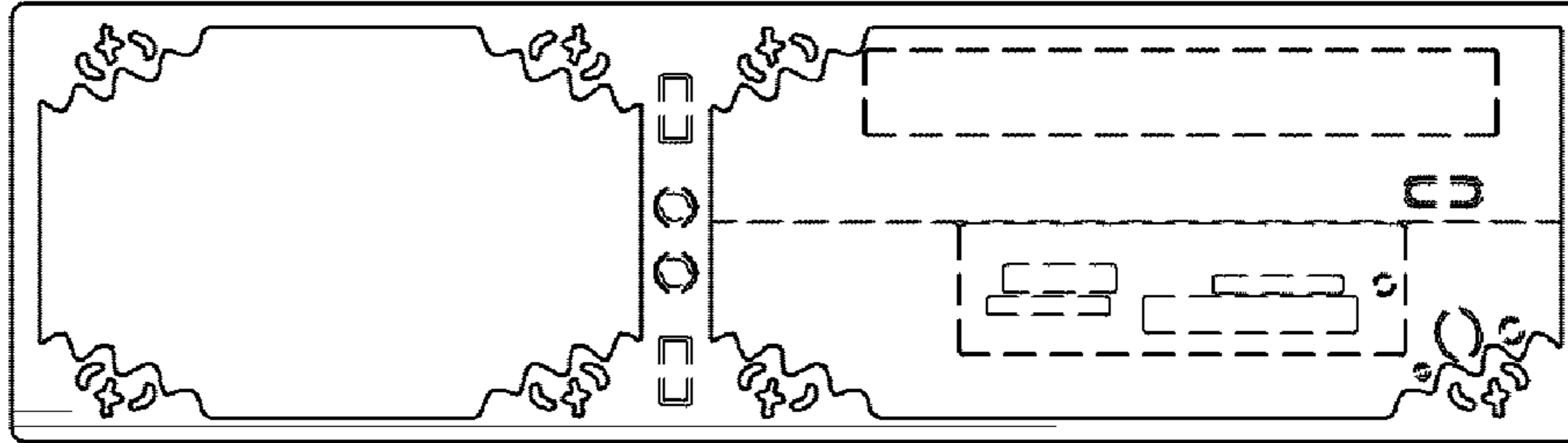


FIG. 2

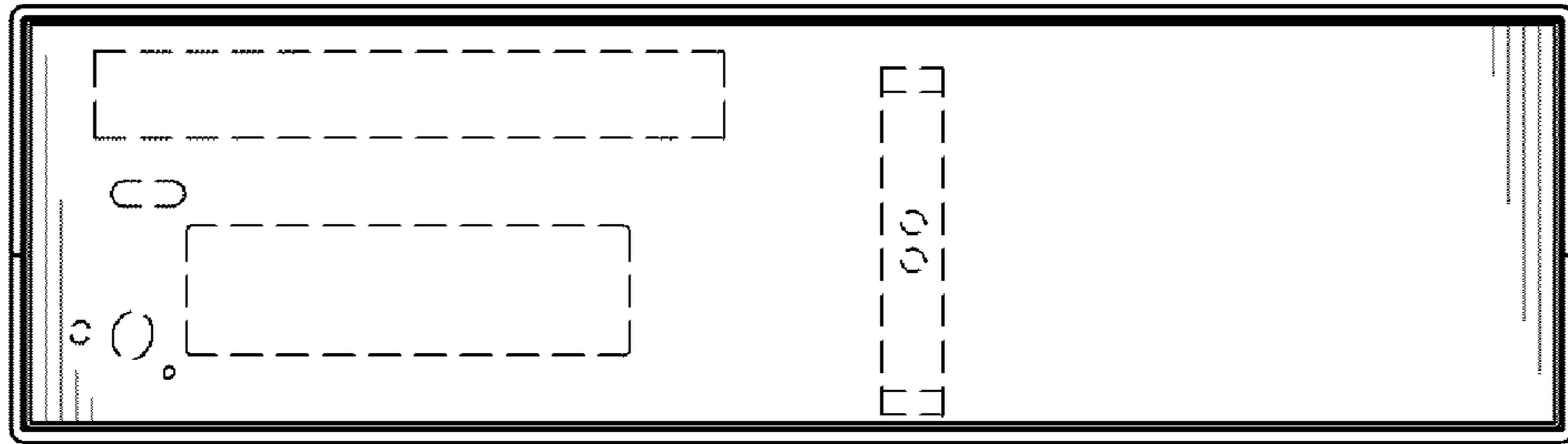


FIG. 3



FIG. 4



FIG. 5

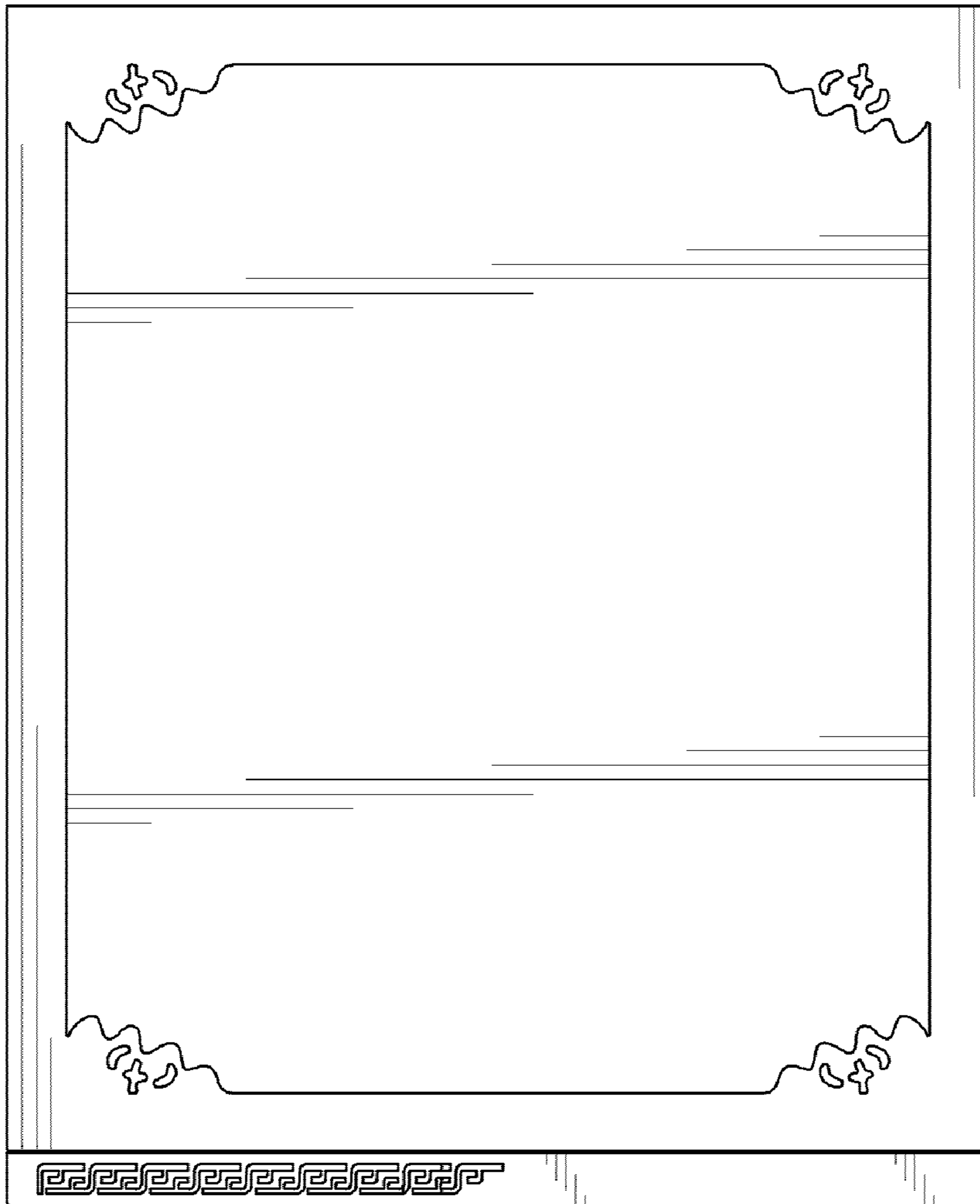


FIG. 6

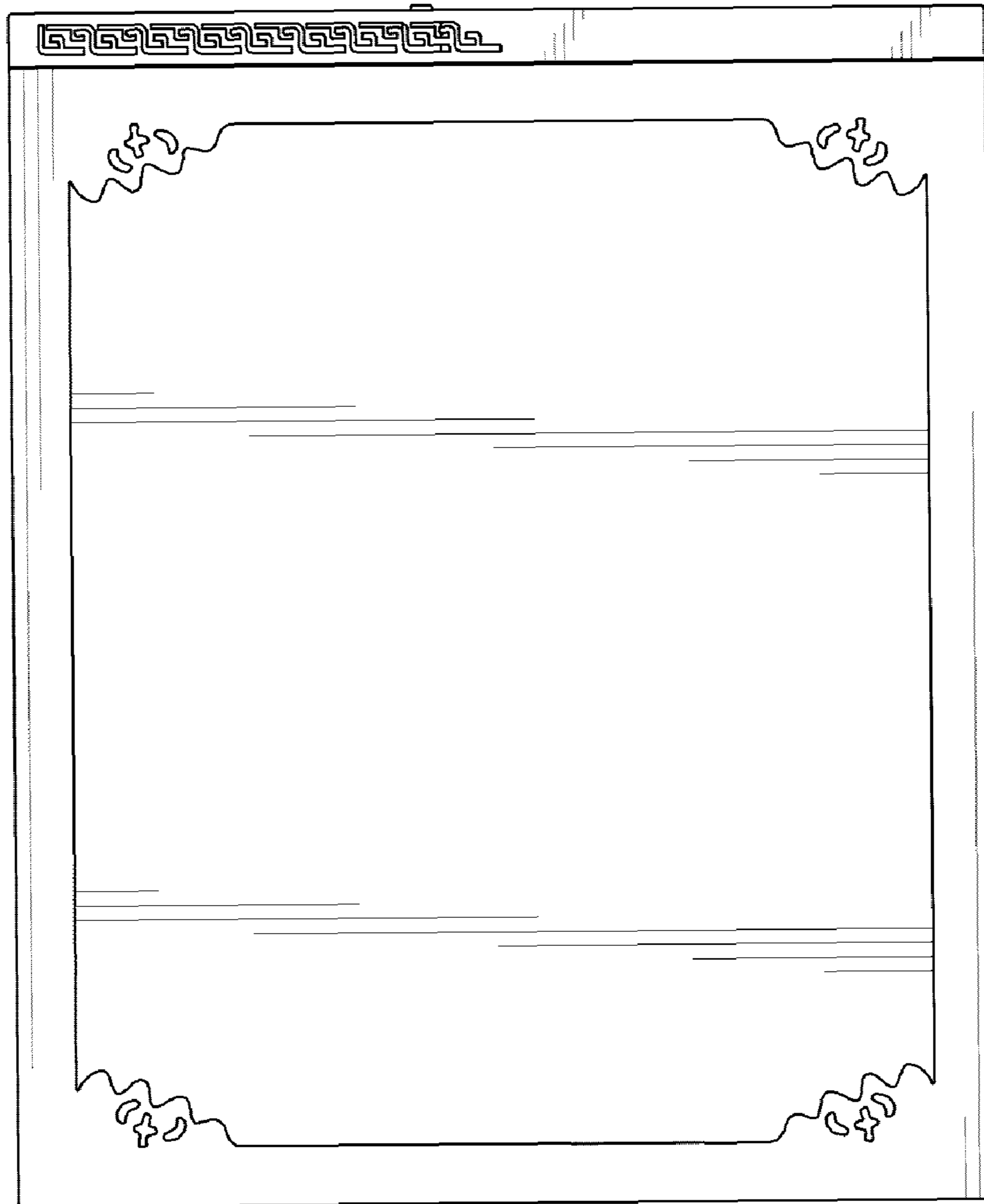


FIG. 7