



US00D647085S

(12) **United States Design Patent**  
**Chung et al.**

(10) **Patent No.:** **US D647,085 S**  
(45) **Date of Patent:** **\*\* Oct. 18, 2011**

(54) **CASE FOR PORTABLE MEDIA PLAYER WITH INTEGRAL HANDLES**

(75) Inventors: **Chanseol Chung**, Hollywood, FL (US);  
**Edward Martin**, Hollywood, FL (US);  
**Christopher Piedra**, Hollywood, FL (US); **Sean Rudolph Etwaroo**,  
Hollywood, FL (US)

(73) Assignee: **Marware, Inc.**, Hollywood, FL (US)

(\*\*) Term: **14 Years**

(21) Appl. No.: **29/376,461**

(22) Filed: **Oct. 7, 2010**

**Related U.S. Application Data**

(63) Continuation of application No. 12/898,364, filed on Oct. 5, 2010.

(51) **LOC (9) Cl.** ..... **14-03**

(52) **U.S. Cl.** ..... **D14/250**

(58) **Field of Classification Search** ..... D14/250,  
D14/440, 203.7, 217, 496; D3/201, 218,  
D3/269, 301, 273; D13/103; 220/4.02; 224/191,  
224/240, 241, 245, 682-683; 248/309.1;  
361/679.56; 379/426, 433.11, 455; 455/575.1,  
455/575.8; 190/100; 206/305, 320  
See application file for complete search history.

(56) **References Cited**

**U.S. PATENT DOCUMENTS**

D570,593 S *	6/2008	Justiss	.....	D3/201
D574,819 S *	8/2008	Andre et al.	.....	D3/269
D582,149 S *	12/2008	Tan	.....	D3/218
7,612,997 B1 *	11/2009	Diebel et al.	.....	361/679.56
D607,446 S *	1/2010	Ferrari et al.	.....	D14/250
D609,228 S *	2/2010	Ferrari et al.	.....	D14/250
D609,463 S *	2/2010	Bullen	.....	D3/218
D615,536 S *	5/2010	Richardson et al.	.....	D14/250
D616,361 S *	5/2010	Huang	.....	D13/103
D617,787 S *	6/2010	Richardson et al.	.....	D14/250
D618,230 S *	6/2010	Brown et al.	.....	D14/250
D619,361 S *	7/2010	Andre et al.	.....	D3/269
D619,574 S *	7/2010	Richardson et al.	.....	D14/250

D621,821 S *	8/2010	Richardson et al.	.....	D14/250
D622,716 S *	8/2010	Andre et al.	.....	D14/250
D623,180 S *	9/2010	Diebel	.....	D14/250
D623,640 S *	9/2010	Freeman	.....	D14/250
D624,533 S *	9/2010	Richardson et al.	.....	D14/250
D624,910 S *	10/2010	Richardson et al.	.....	D14/250
D626,540 S *	11/2010	Brown et al.	.....	D14/250
D626,746 S *	11/2010	Roman	.....	D3/269
D628,994 S *	12/2010	Griffin et al.	.....	D14/250
D631,246 S *	1/2011	Boettner	.....	D3/218
2009/0114556 A1 *	5/2009	Tai et al.	.....	206/320
2010/0096284 A1 *	4/2010	Bau	.....	206/320

\* cited by examiner

*Primary Examiner* — Rob Spear

*Assistant Examiner* — Carla Wright

(74) *Attorney, Agent, or Firm* — Laurence A. Greenberg;  
Werner H. Sterner; Ralph E. Locher

(57) **CLAIM**

The ornamental design for a case for a portable media player with integral handles, as shown and described.

**DESCRIPTION**

FIG. 1 is a front elevational view of a case for portable media player with integral handles showing my new design, with an environmental portable media player shown in broken lines and visible through the opening on the front of the case;

FIG. 2 is a right side elevational view thereof showing the handles in a closed storage position flush with the surrounding surfaces;

FIG. 3 is a rear elevational view thereof, with the environmental portable media player shown in broken lines and visible through the openings on the upper rear and bottom of the case;

FIG. 4 is a left side elevational view thereof;

FIG. 5 is a bottom plan view thereof, with the environmental portable media player shown in broken lines and visible through the openings on the bottom of the case;

FIG. 6 is a top plan view thereof;

FIG. 7 is a front perspective view thereof, with the environmental portable media player shown in broken lines and visible through the front opening of the case;

FIG. 8 is a front perspective view thereof, shown without the environmental portable media player;

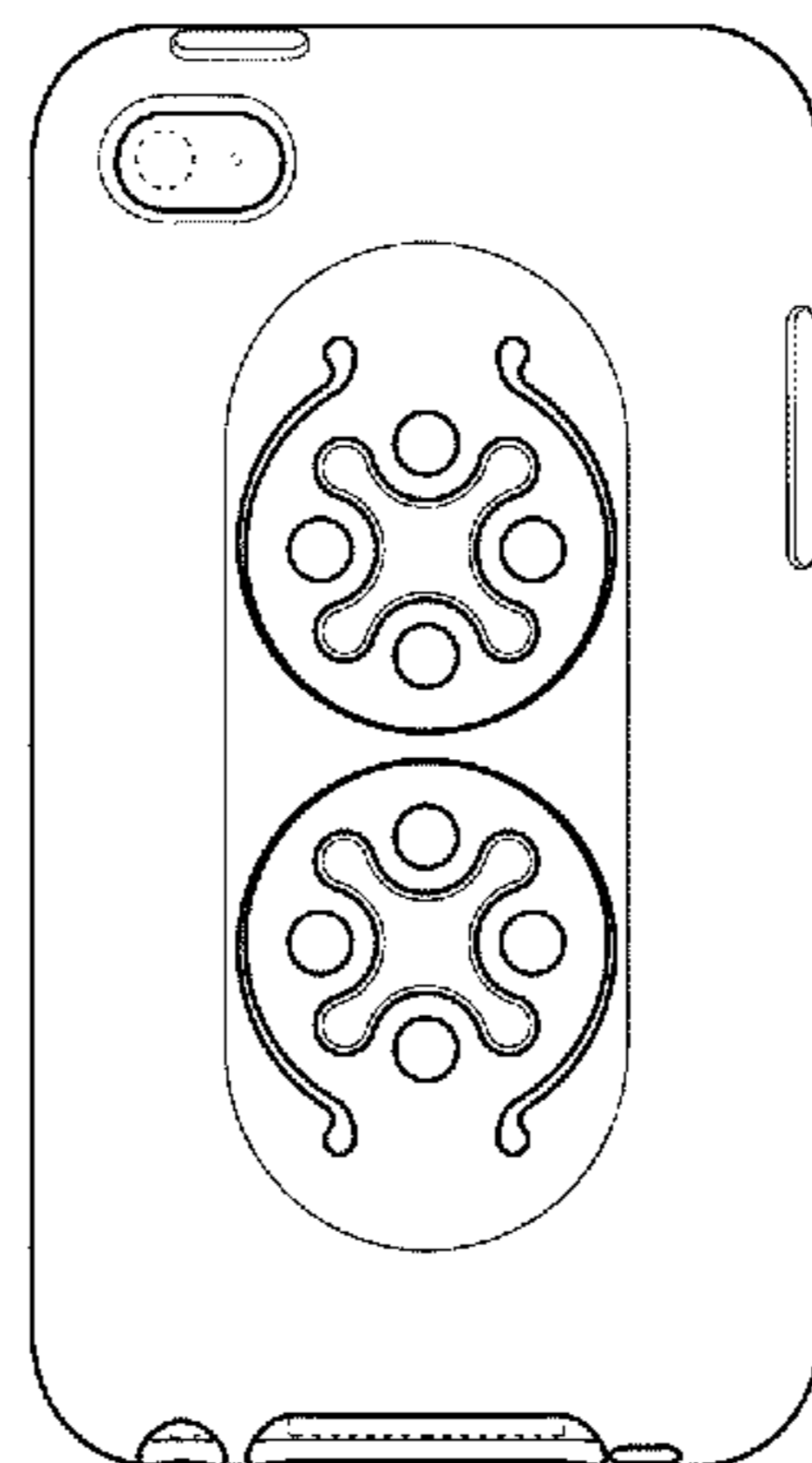
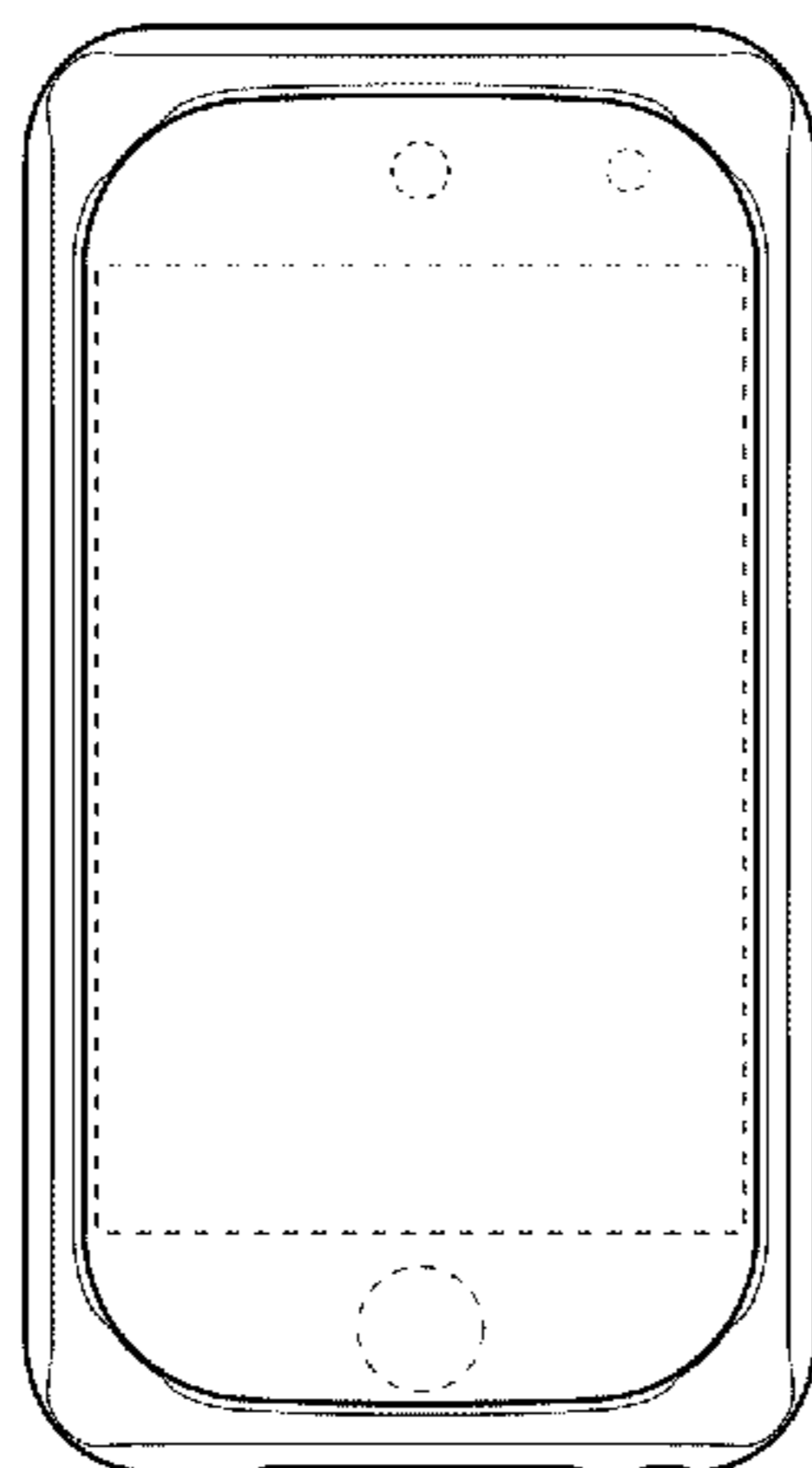


FIG. 9 is a rear perspective view thereof, with the environmental portable media player shown in broken lines and visible through the opening on the rear of the case, and showing the handles in the closed or storage position;

FIG. 10 is a rear perspective view, with the environmental portable media player shown in broken lines and visible through the opening on the rear of the case, and showing the handles in the open or operating position;

FIG. 11 is a bottom and rear perspective view thereof; with the environmental portable media player shown in broken lines and visible through the openings on the bottom of the case, and showing the handles in the open or operating position, in the environment of the fingers and hand of the user of the portable media player;

FIG. 12 is a left side elevational view, showing the handles in the open or operating position, in the environment of the fingers and hands of the user of the portable media player;

FIG. 13 is a rear elevation view thereof, with the environmental portable media player shown in broken lines and visible through the opening on the upper rear of the case, and showing the top handle in the closed storage position and the bottom handle in the open or operating position in the environment of the fingers and hand of the user of the portable media player; and,

FIG. 14 is a front perspective view thereof, with the environmental portable media player shown in broken lines and visible through the opening on the front of the case, and shown in the environment of the fingers and hands of the user of the portable media player.

In the drawings, the broken lines depict unclaimed environment.

**1 Claim, 5 Drawing Sheets**

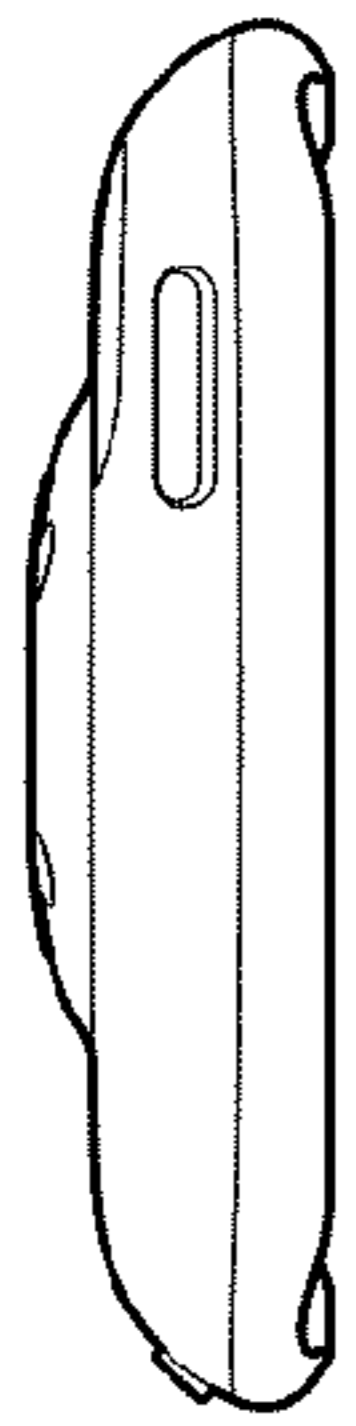


FIG. 6

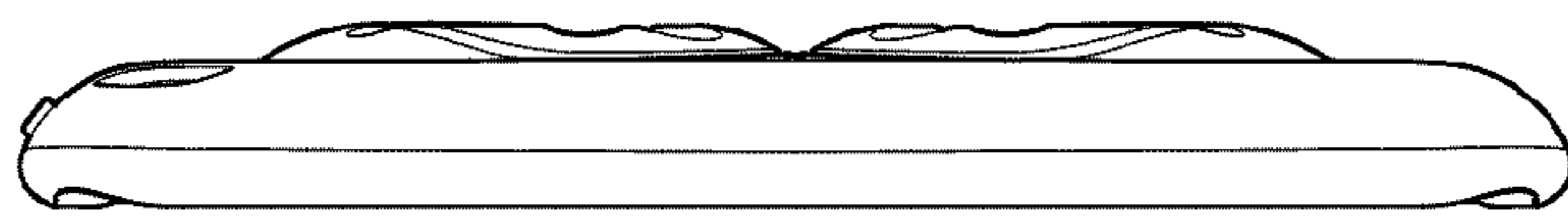


FIG. 4

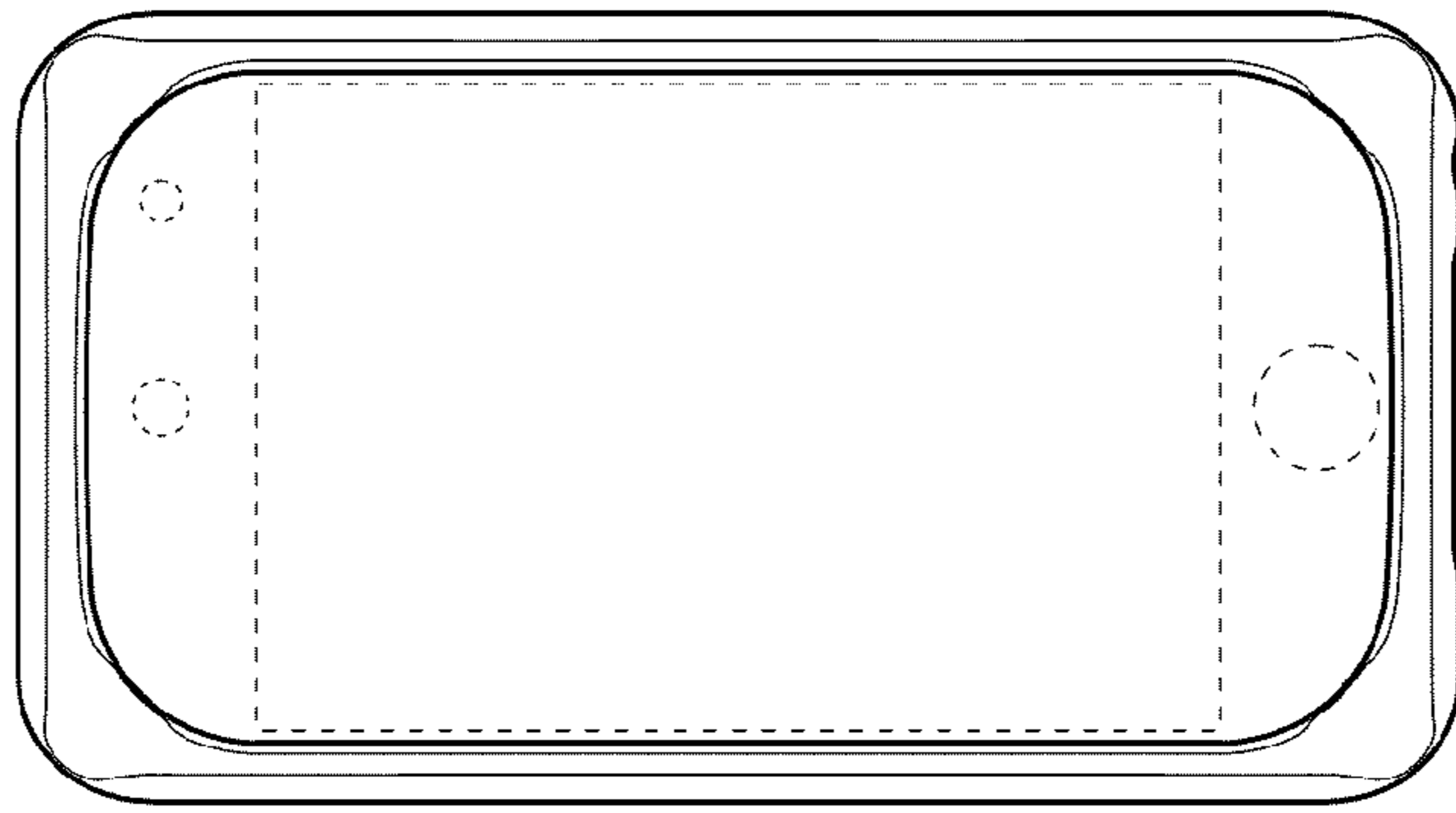


FIG. 1

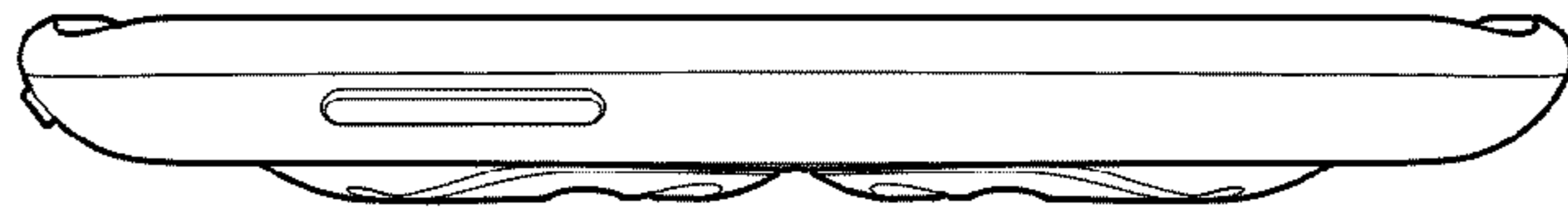


FIG. 2

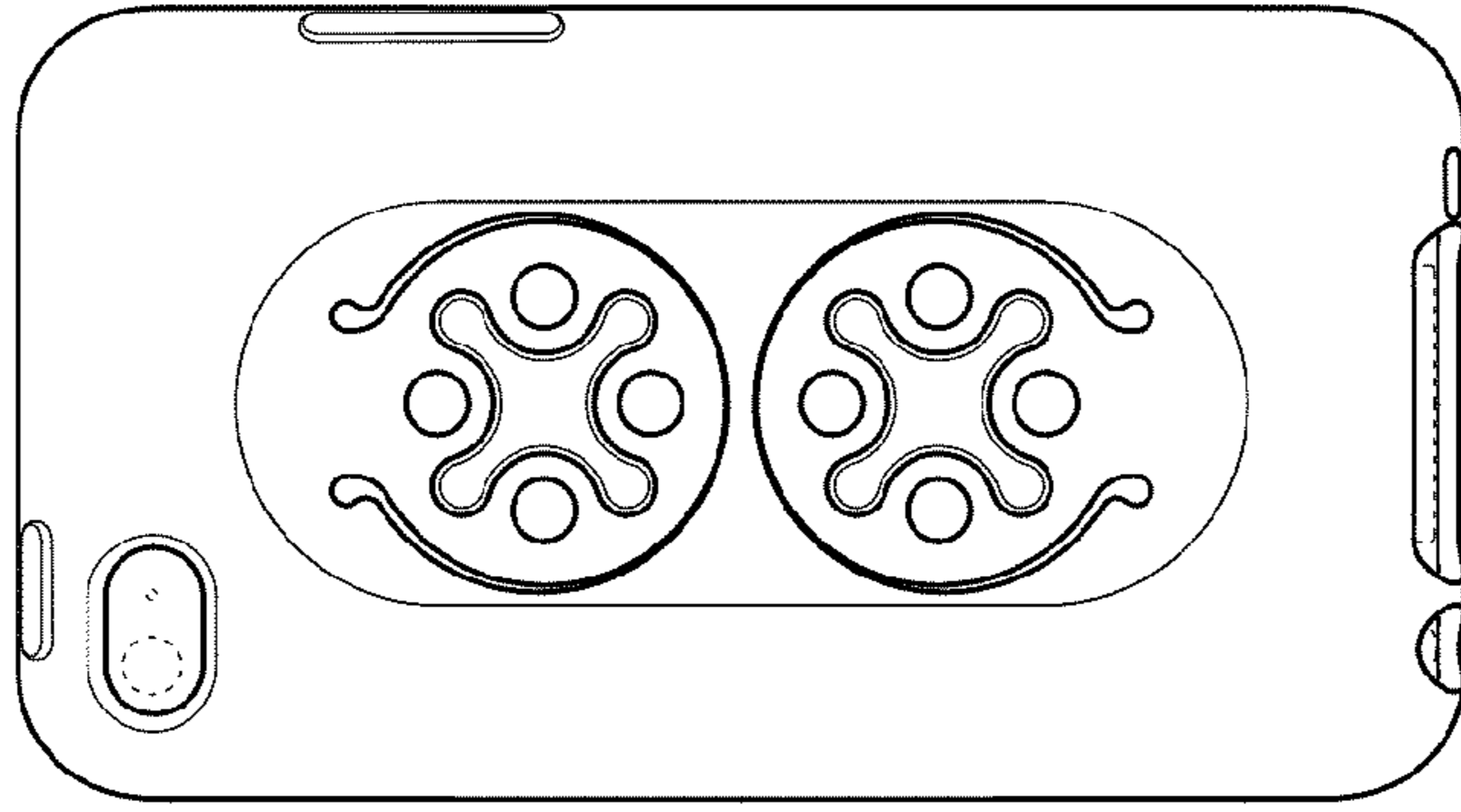


FIG. 3

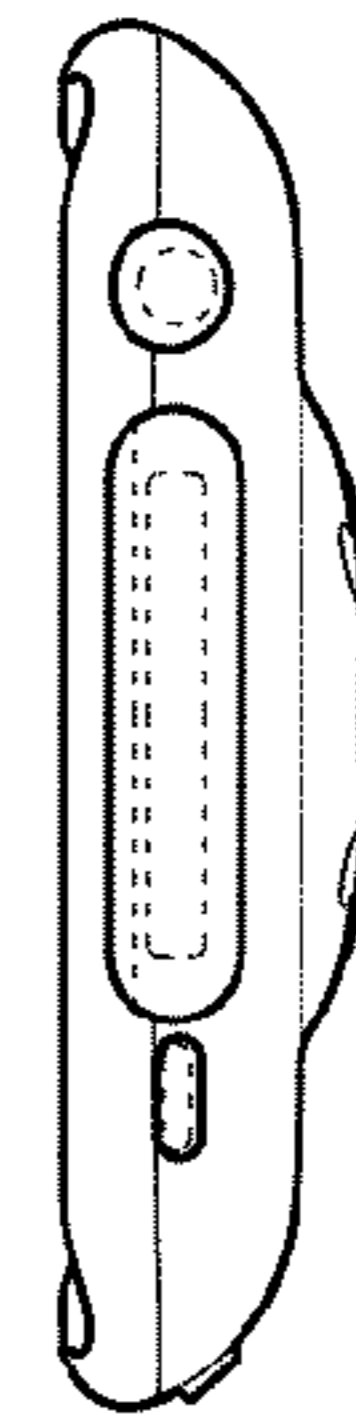


FIG. 5

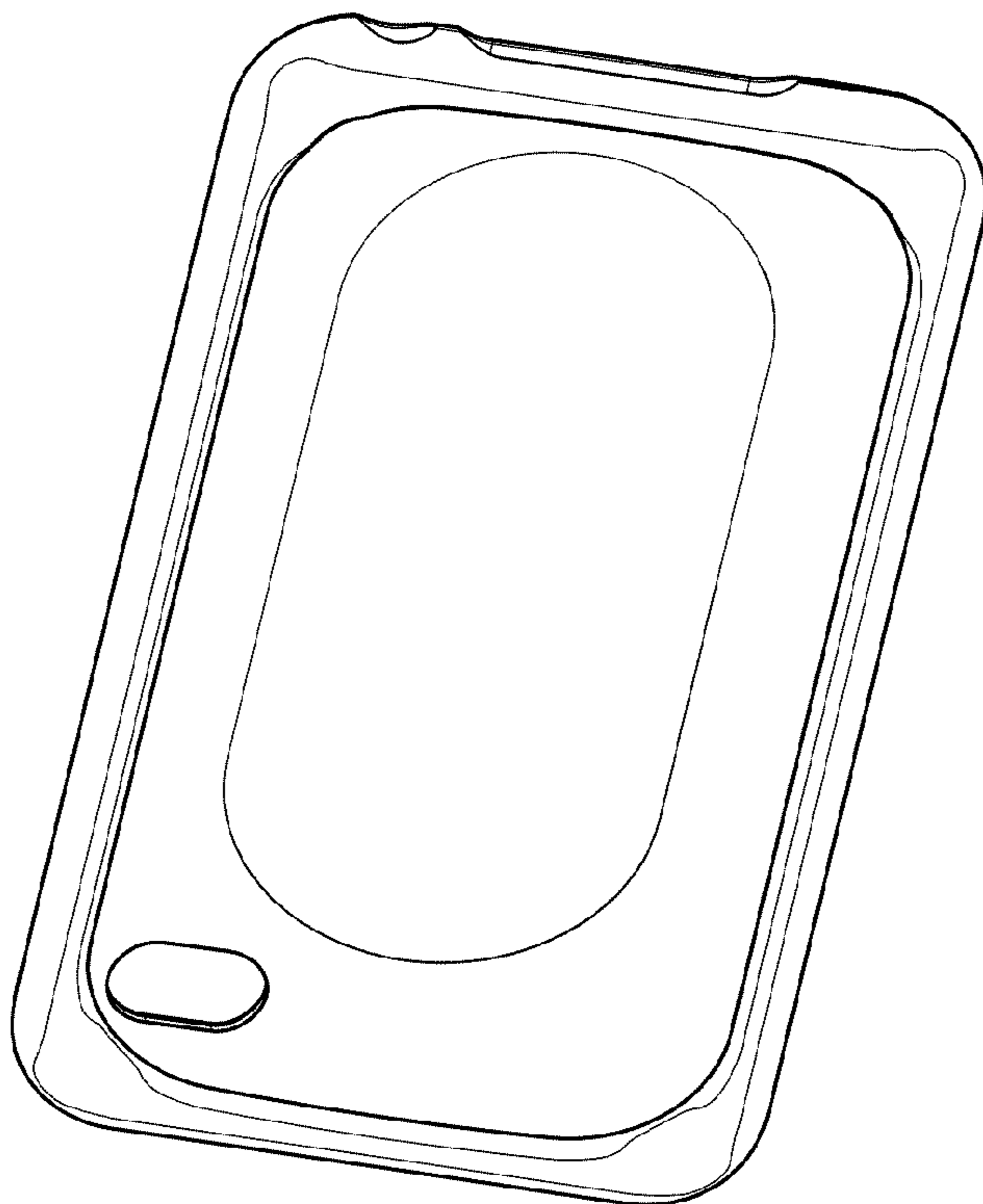


FIG. 8

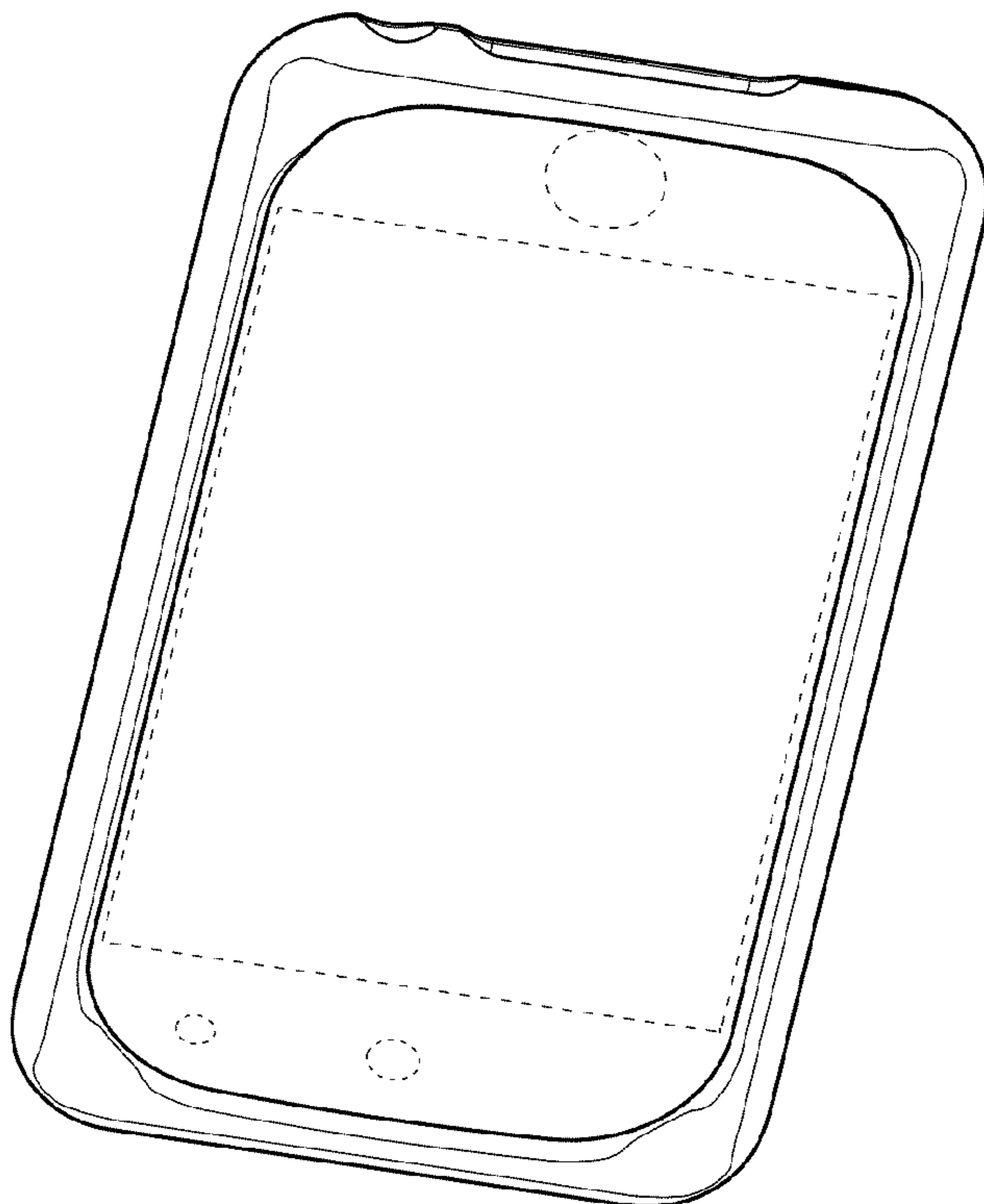


FIG. 7



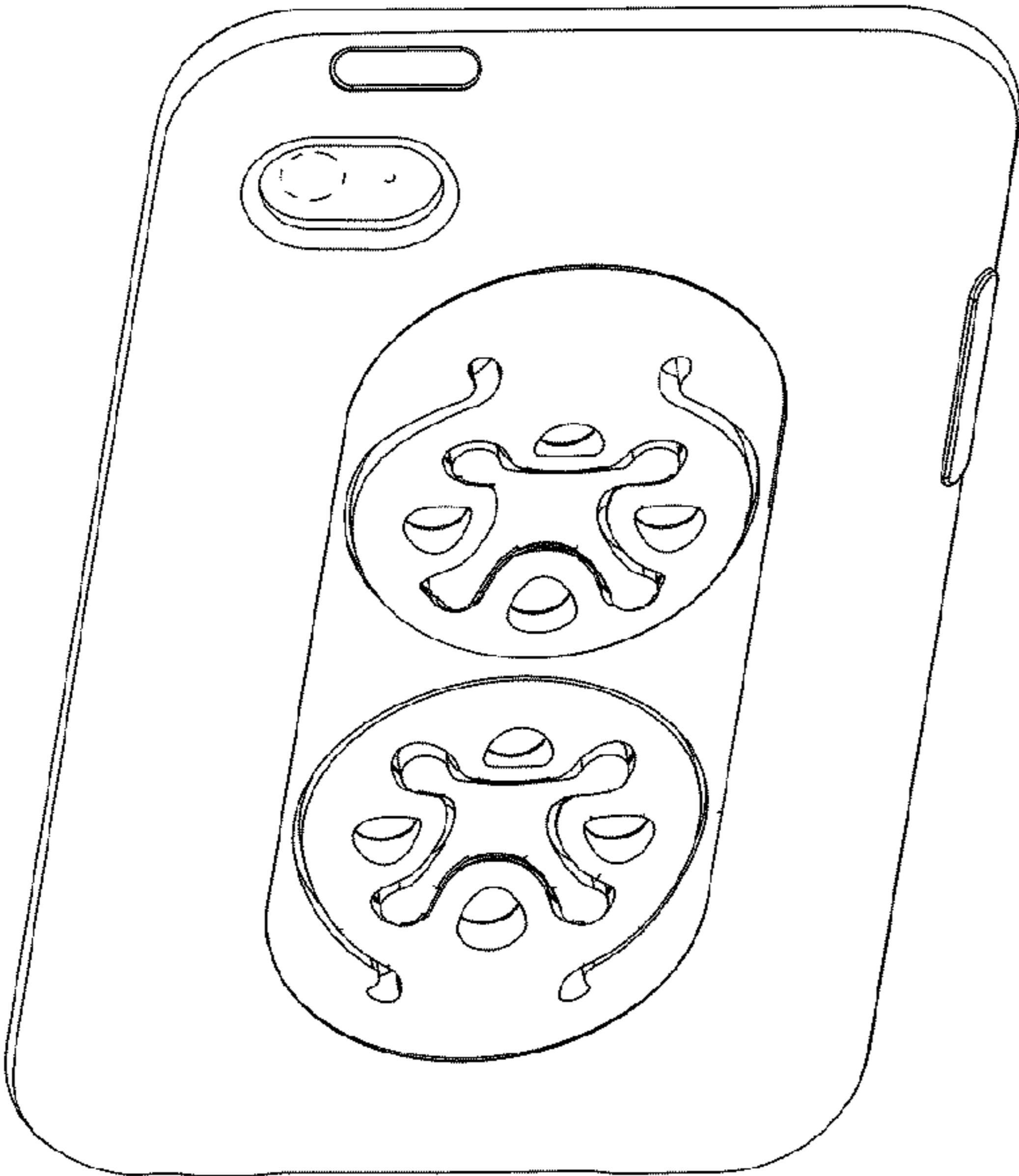
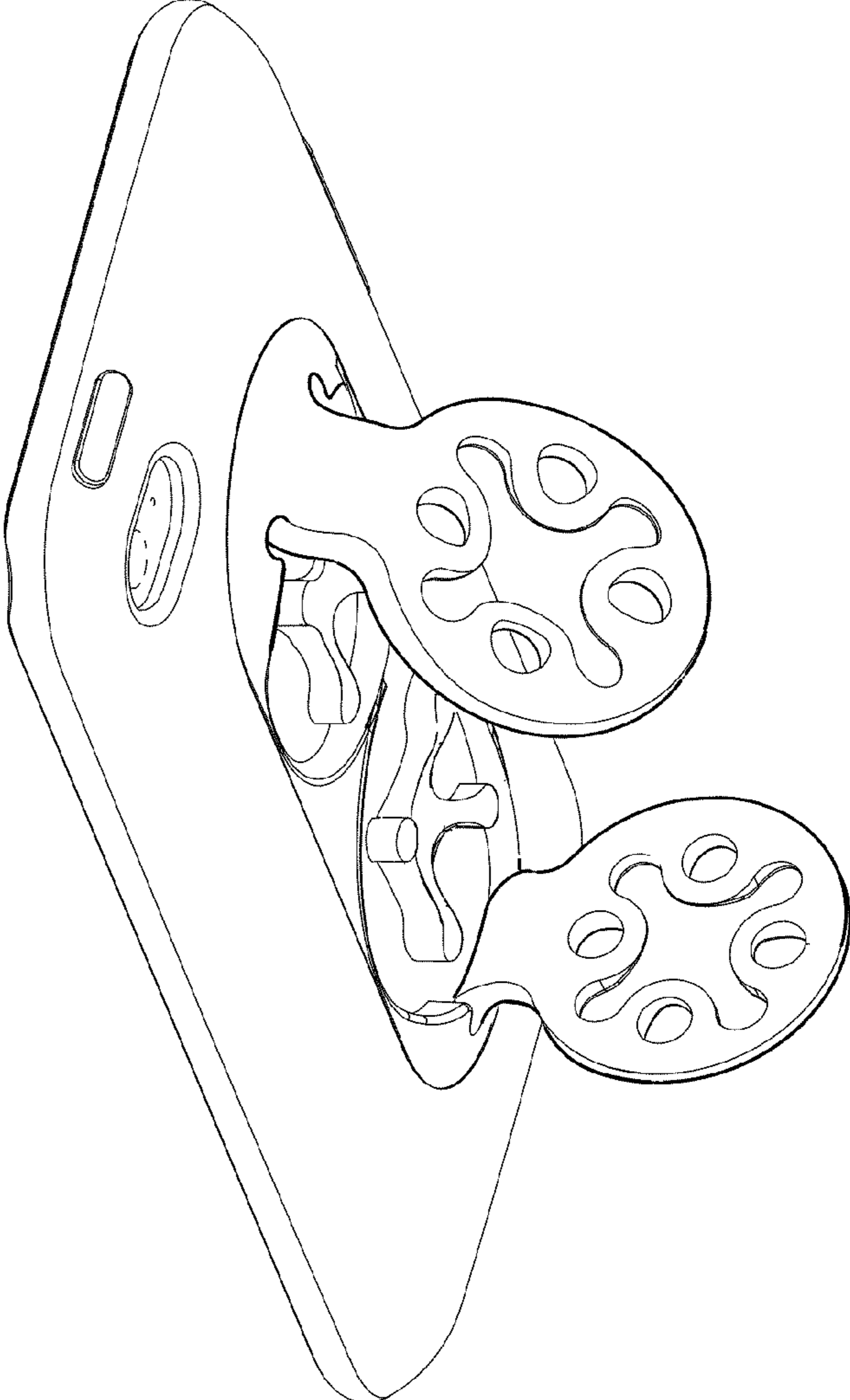


FIG. 9

FIG. 10



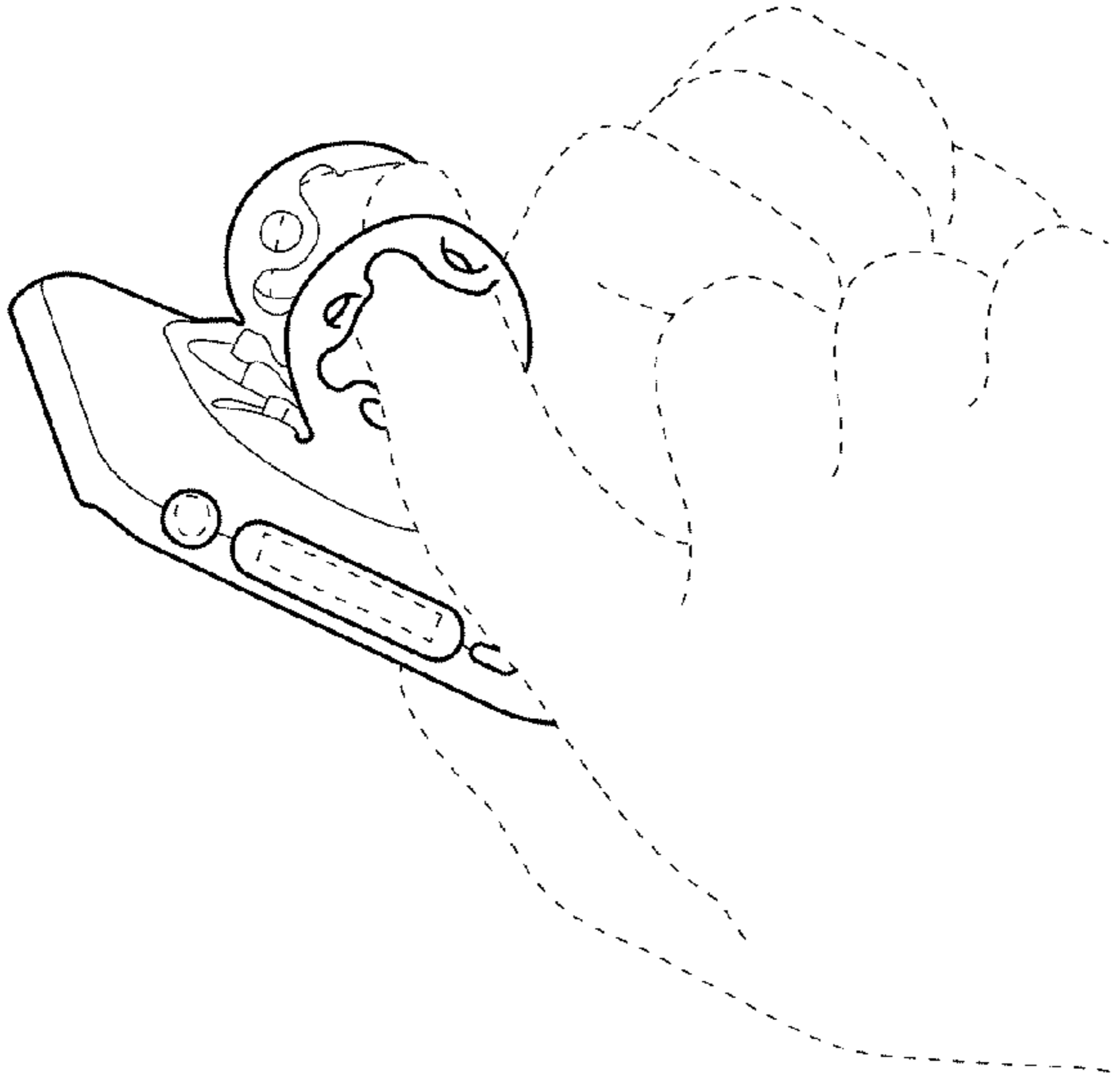


FIG. 11

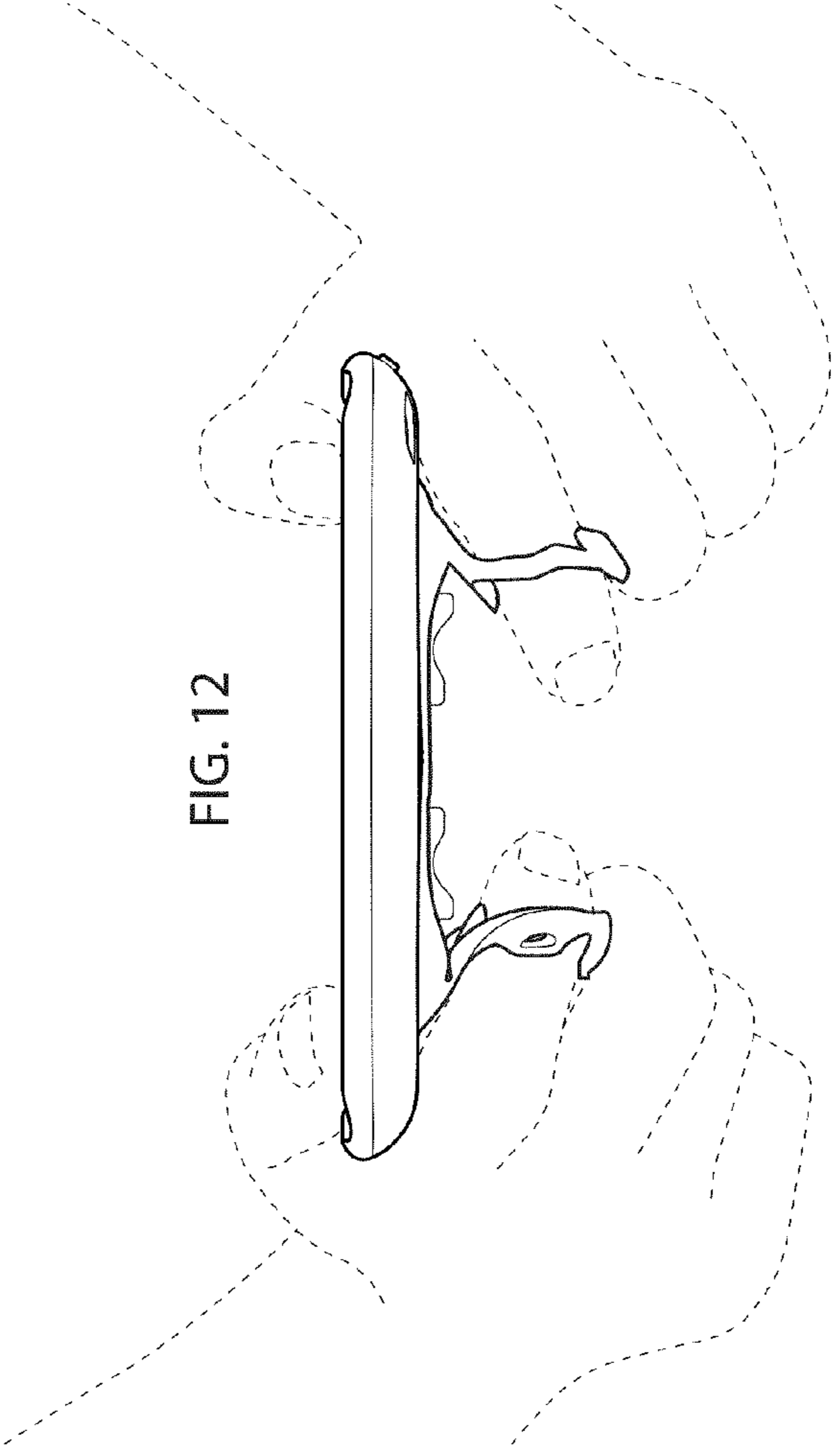


FIG. 12

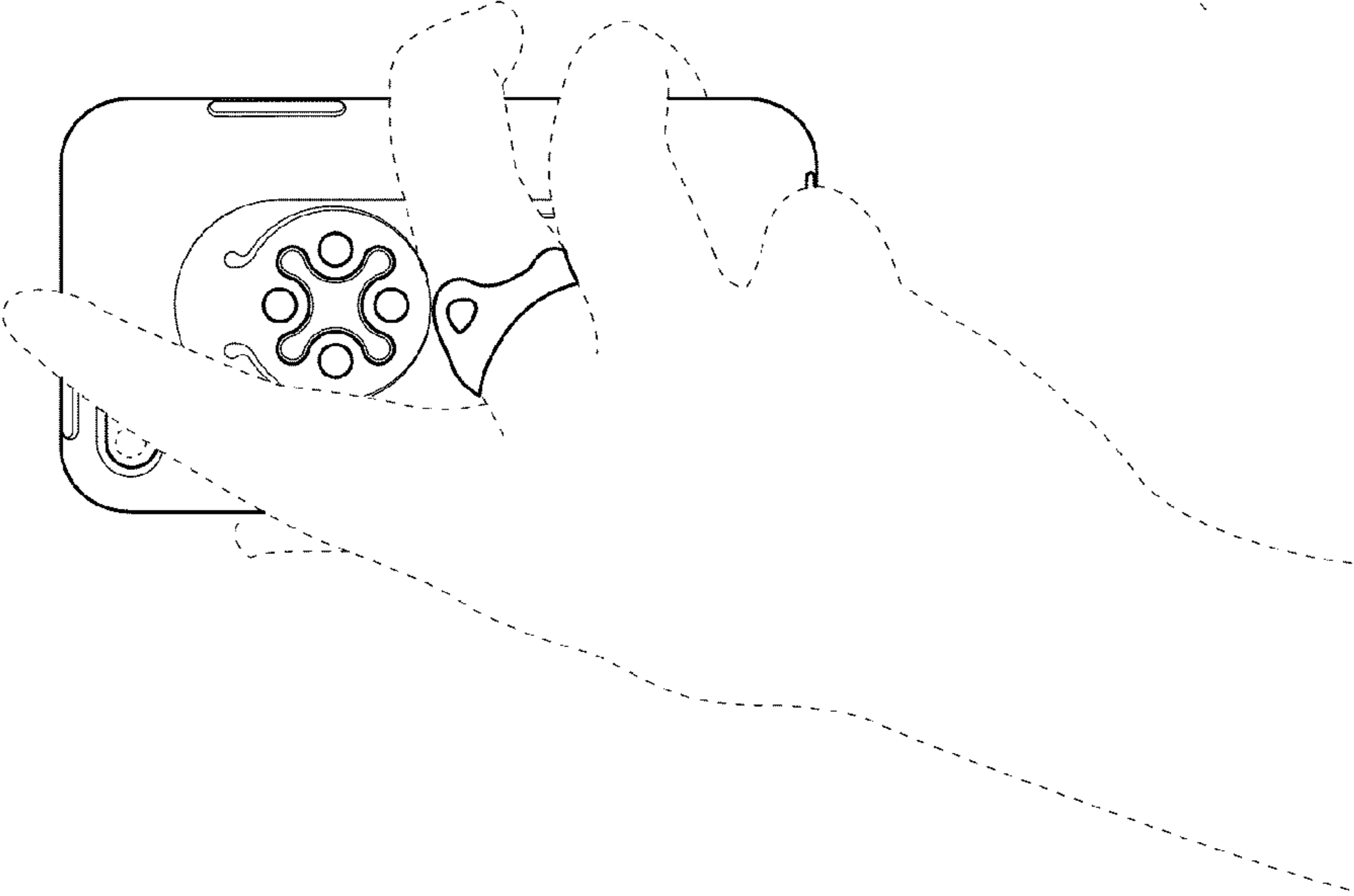


FIG. 13

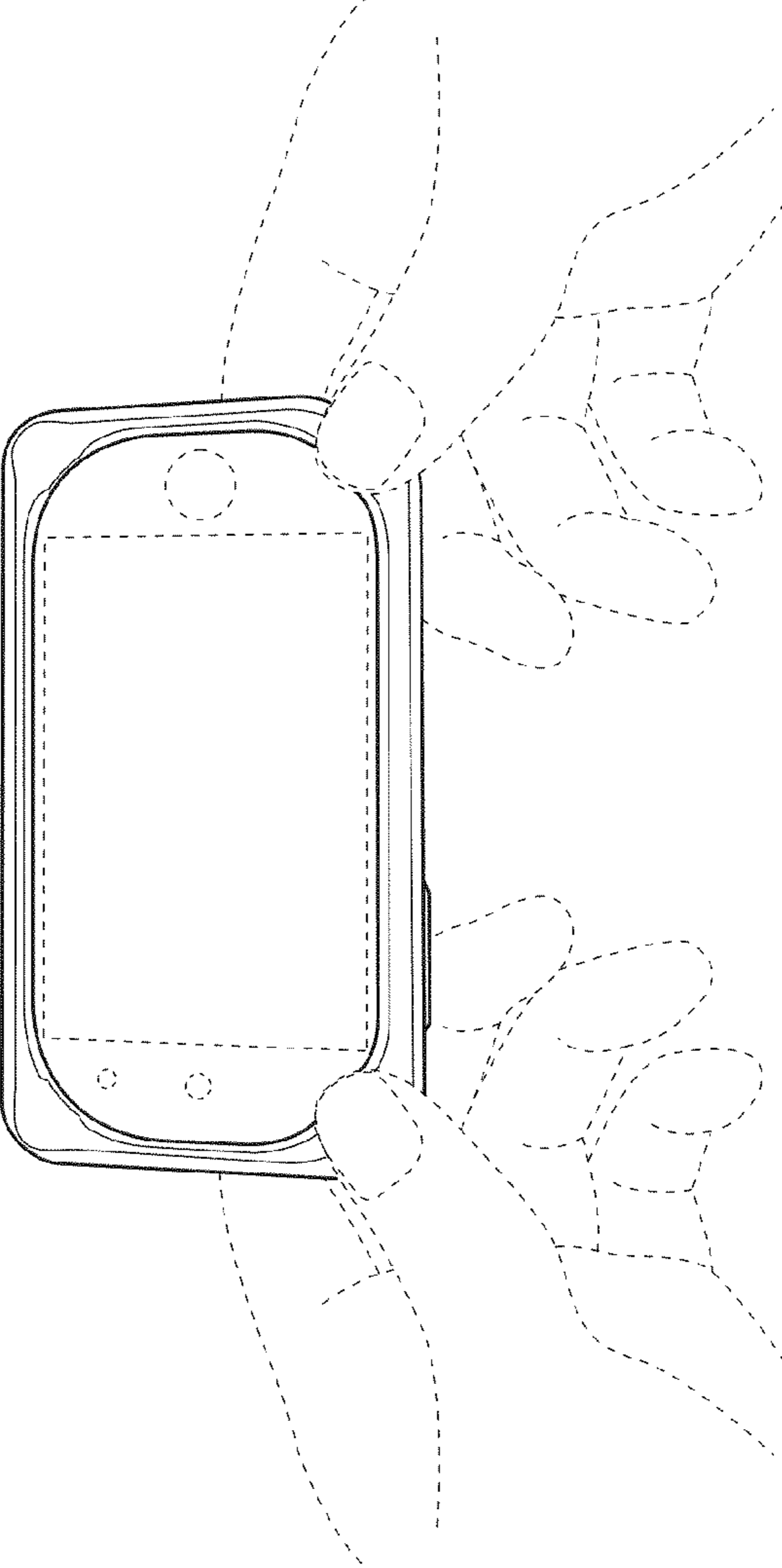


FIG. 14