



US00D647081S

(12) **United States Design Patent**
Kwon

(10) **Patent No.:** **US D647,081 S**

(45) **Date of Patent:** **** Oct. 18, 2011**

(54) **COMMUNICATIONS EARBUD**

(75) Inventor: **Minsung Kwon**, San Jose, CA (US)

(73) Assignee: **Plantronics, Inc.**, Santa Cruz

(**) Term: **14 Years**

(21) Appl. No.: **29/368,894**

(22) Filed: **Aug. 31, 2010**

(51) **LOC (9) Cl.** **14-01**

(52) **U.S. Cl.** **D14/223**

(58) **Field of Classification Search** D14/205,
D14/206, 223; 181/129, 130, 135; D24/174;
128/864, 865; 379/430, 433.01; 381/328,
381/330, 380, 381; 455/90.3, 575.1

See application file for complete search history.

(56) **References Cited**

U.S. PATENT DOCUMENTS

2,248,837	A *	7/1941	Walters	381/380
5,410,608	A *	4/1995	Lucey et al.	381/360
D431,553	S *	10/2000	Suzuki	D14/223
D554,627	S *	11/2007	Gondo	D14/223
D598,901	S *	8/2009	Lee et al.	D14/223
D599,781	S *	9/2009	Lee et al.	D14/205
D600,675	S *	9/2009	Lee et al.	D14/205
D602,475	S *	10/2009	Martin	D14/223
D618,672	S *	6/2010	Harbeke et al.	D14/223
D624,056	S *	9/2010	Kolton	D14/223
D624,902	S *	10/2010	Kolton	D14/205
D626,117	S *	10/2010	Lowry	D14/223
D626,948	S *	11/2010	Nault	D14/223

* cited by examiner

Primary Examiner — Paula Greene

(74) *Attorney, Agent, or Firm* — Michael D. Rodriguez

(57) **CLAIM**

The ornamental design for a communications earbud, as shown and described.

DESCRIPTION

FIG. 1 is back-bottom-left perspective view of a left side communications earbud showing my new design;

FIG. 2 is a back-bottom-left perspective view of a right side communications earbud;

FIG. 3 is a front view of the left side communications earbud;

FIG. 4 is a front view of the right side communications earbud;

FIG. 5 is a top view of the left side communications earbud;

FIG. 6 is a top view of the right side communications earbud;

FIG. 7 is a back view of the left side communications earbud;

FIG. 8 is a back view of the right side communications earbud;

FIG. 9 is a right side view of the left side communications earbud;

FIG. 10 is left side view of the right side communications earbud;

FIG. 11 is a bottom view of the left side communications earbud;

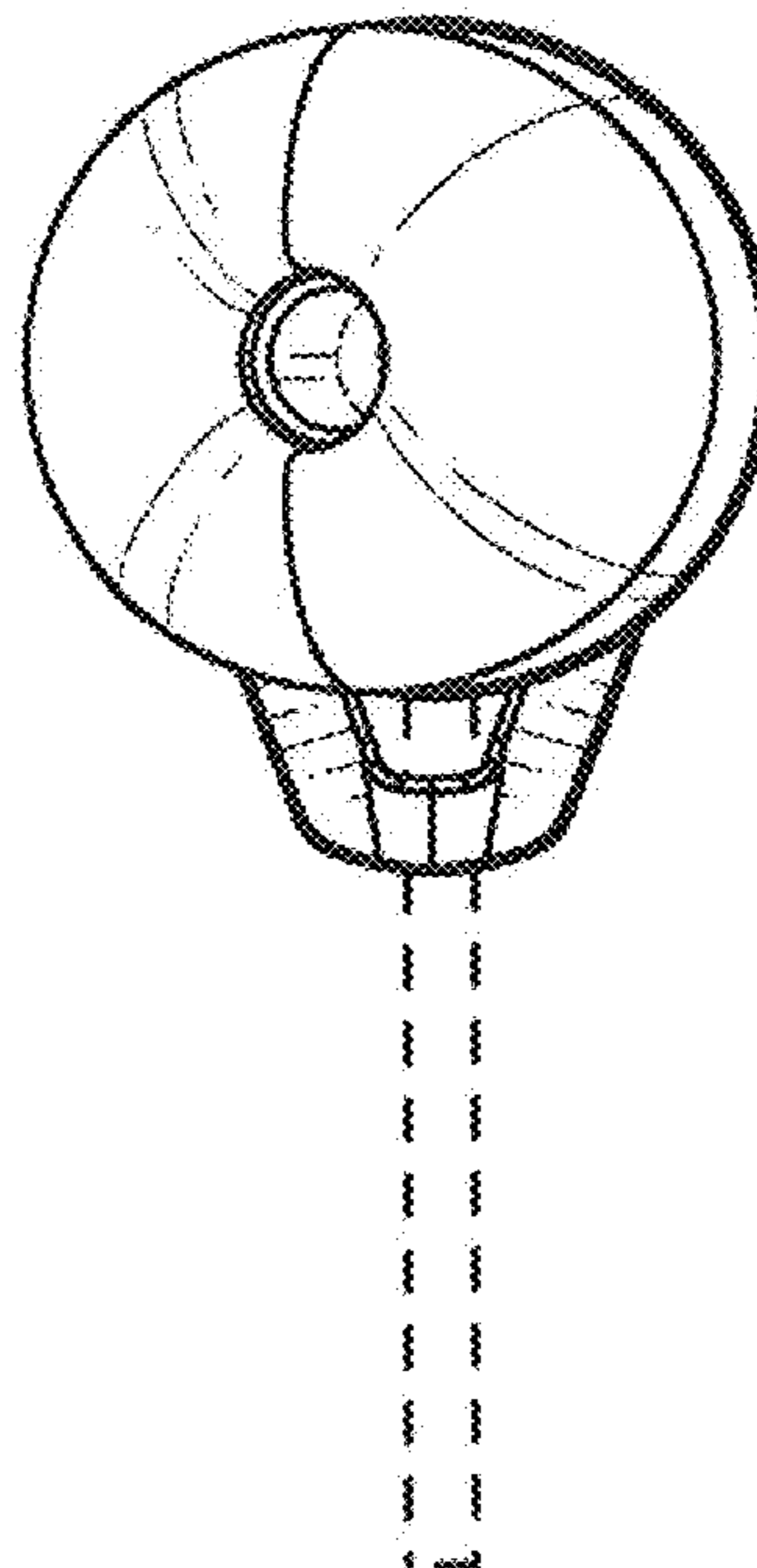
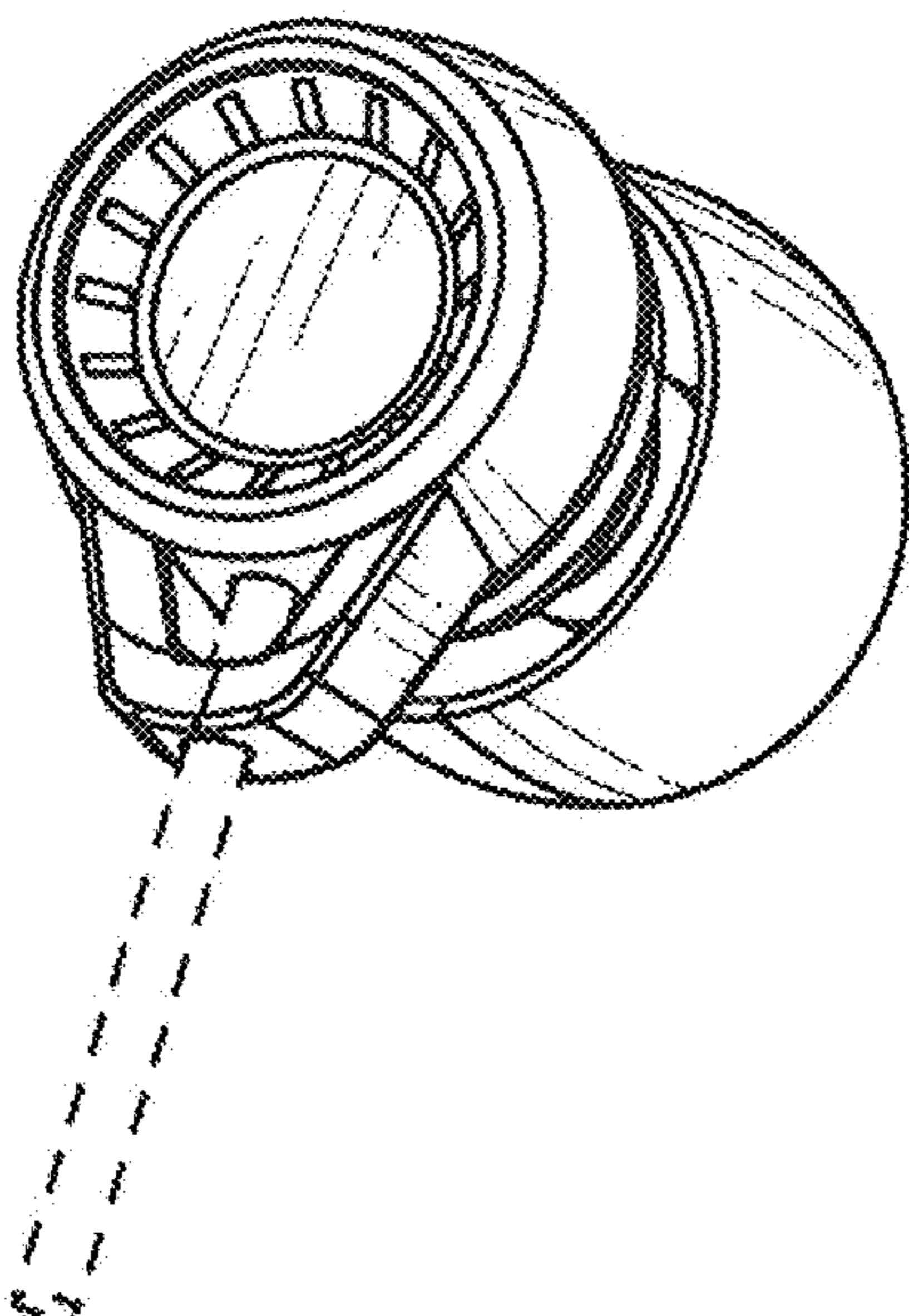
FIG. 12 is a bottom view of the right side communications earbud;

FIG. 13 is a left side view of the left side communications earbud; and,

FIG. 14 is a right side view of the right side communications earbud.

The broken lines showing of the unclaimed environment forms no part of the claimed design.

1 Claim, 4 Drawing Sheets



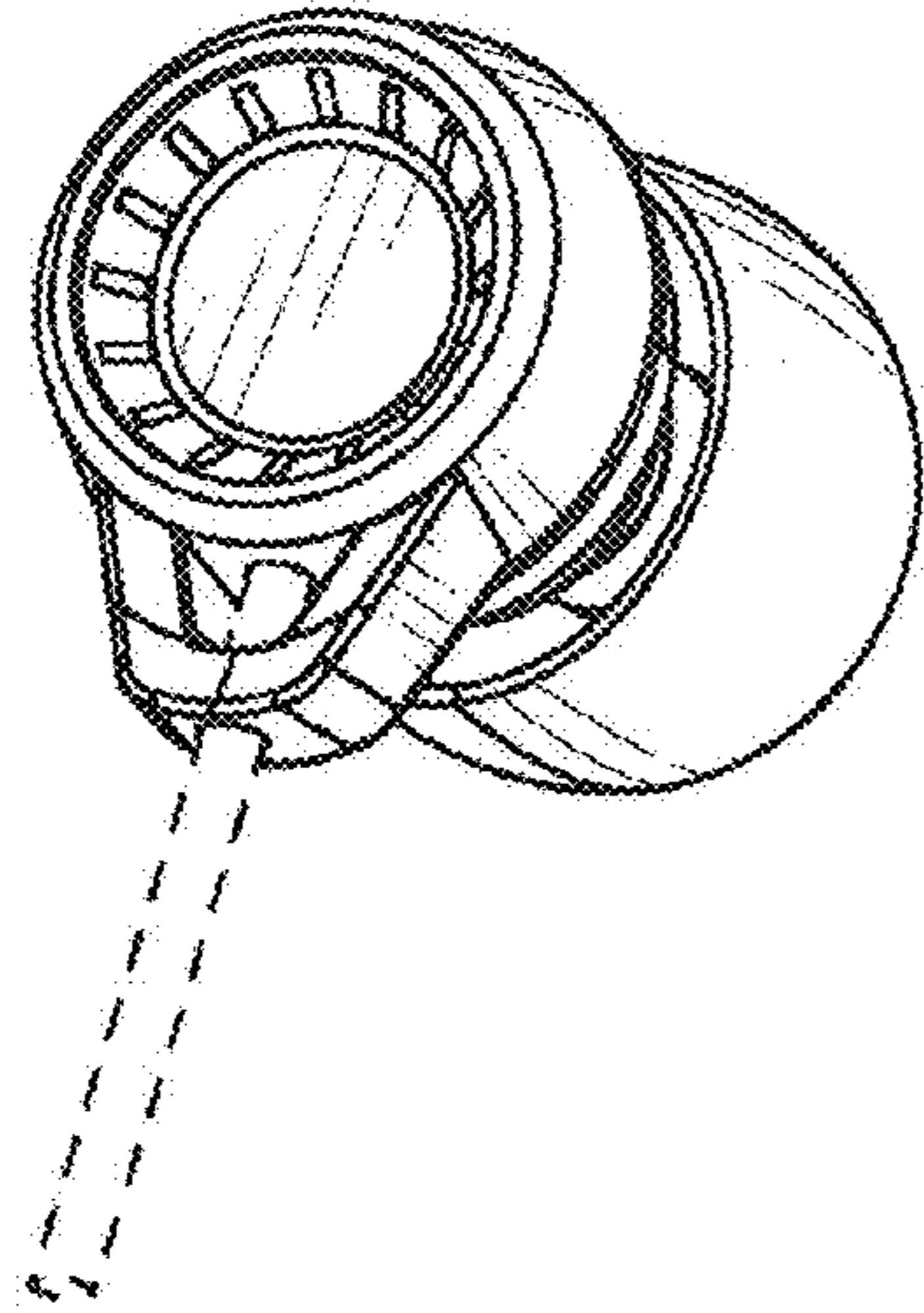


FIG. 1

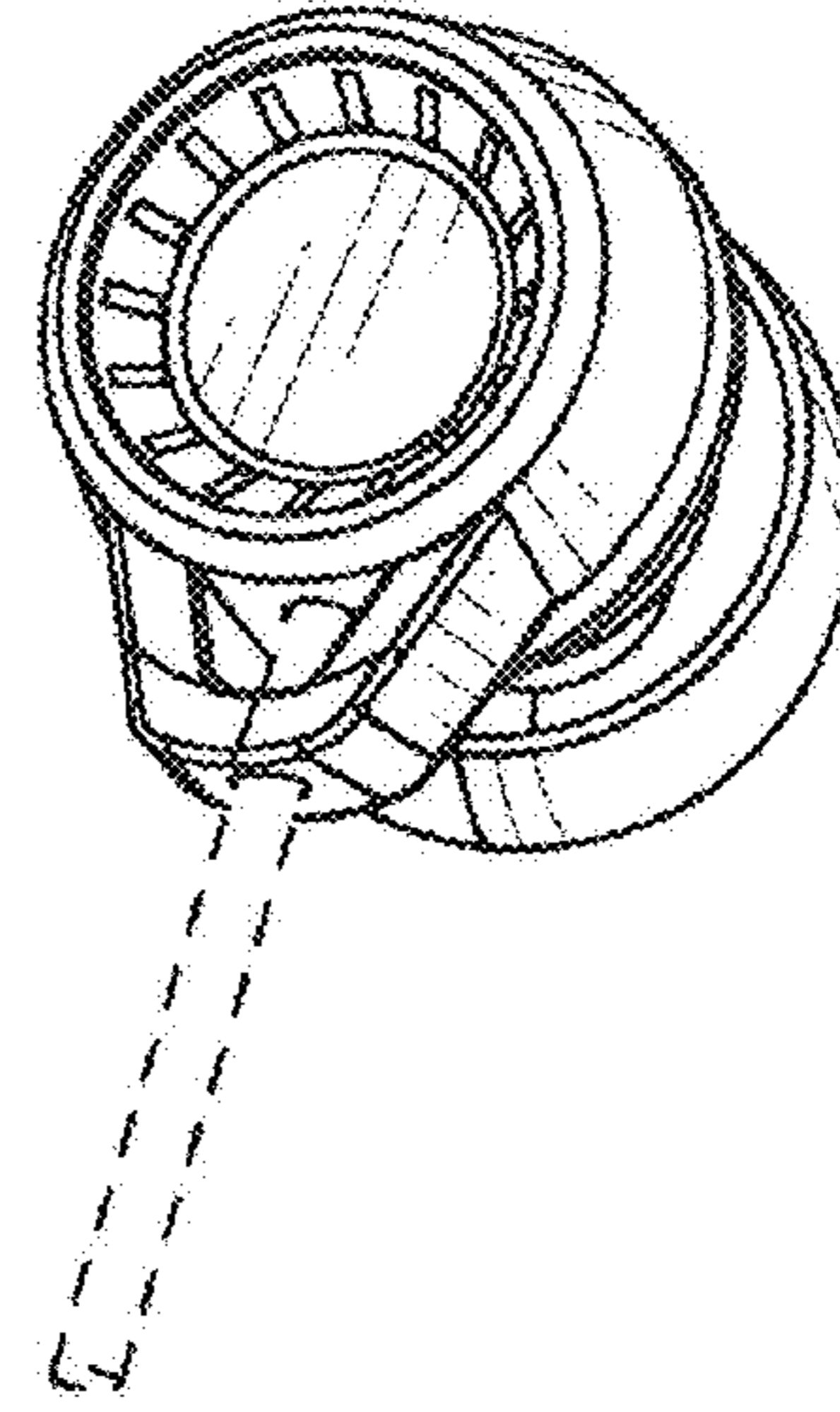


FIG. 2

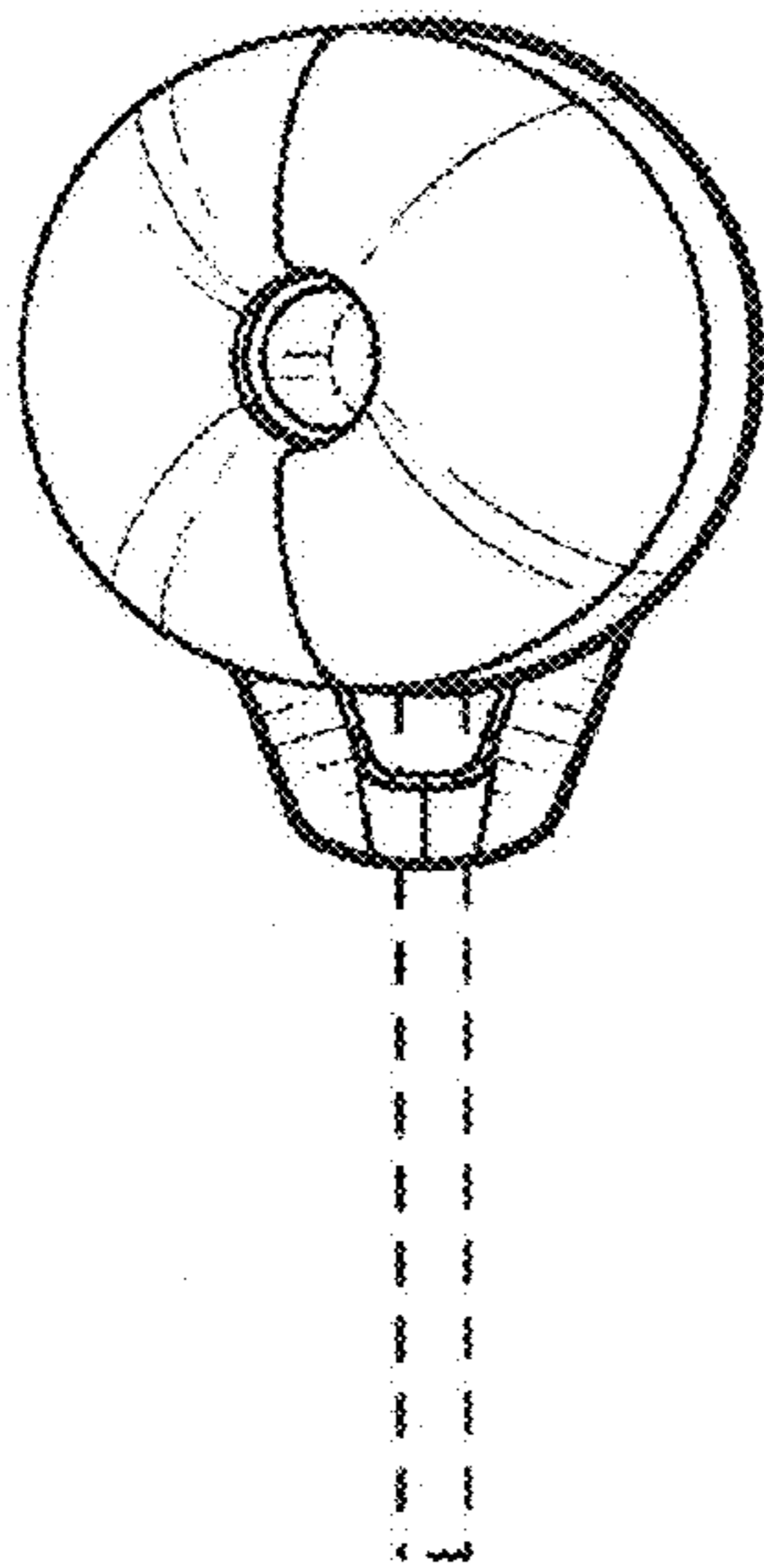


FIG. 3

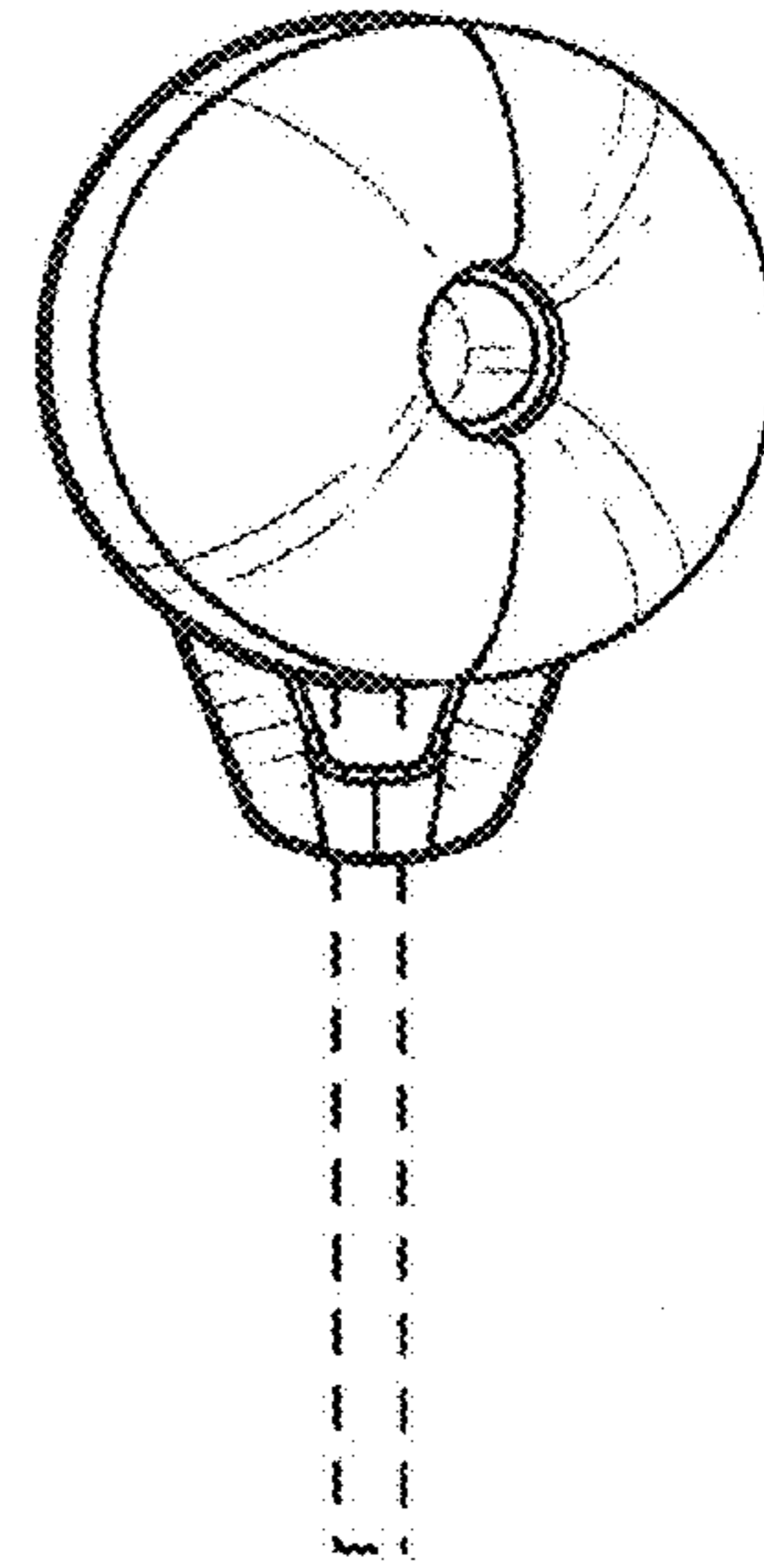


FIG. 4

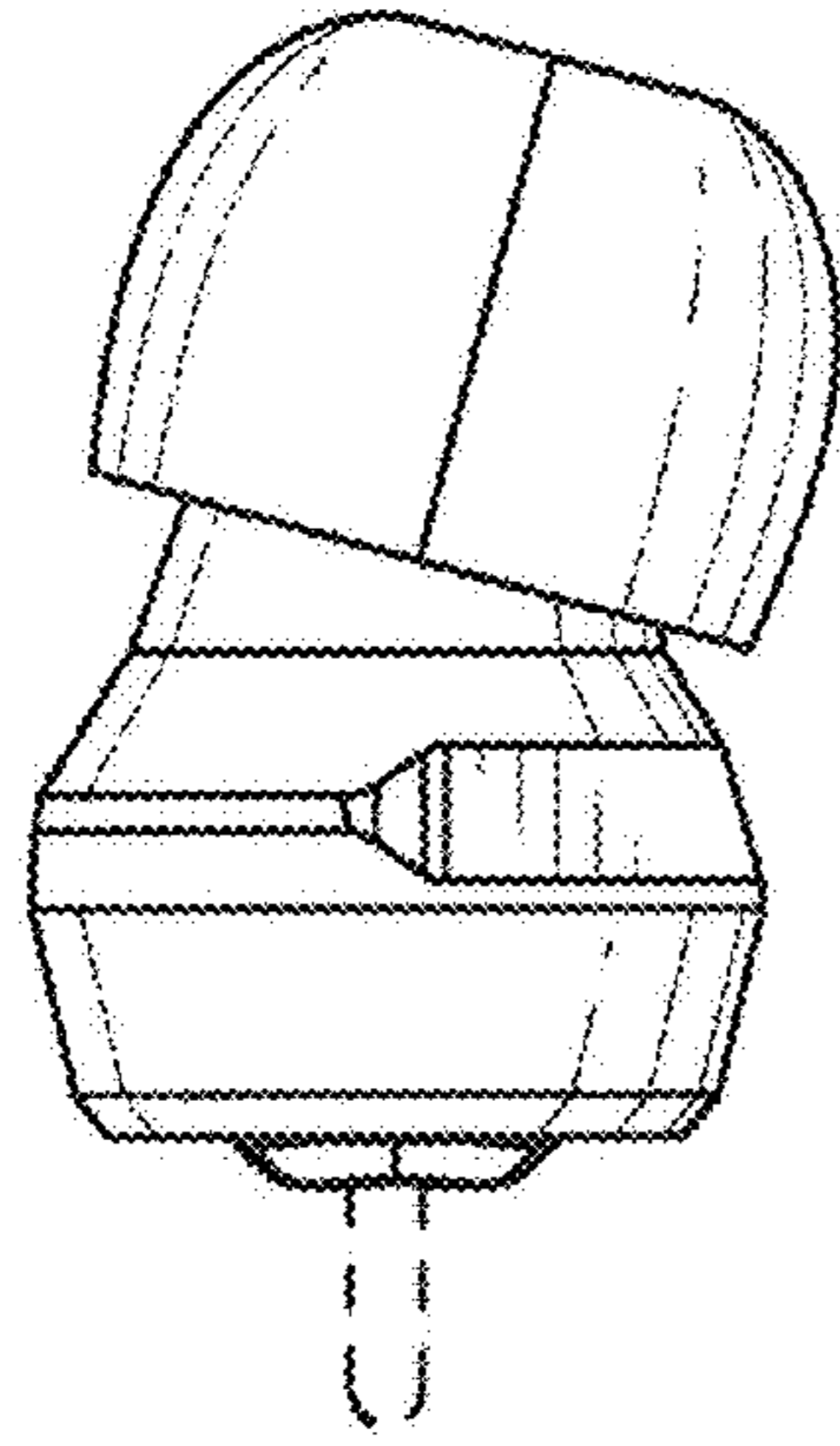


FIG. 5

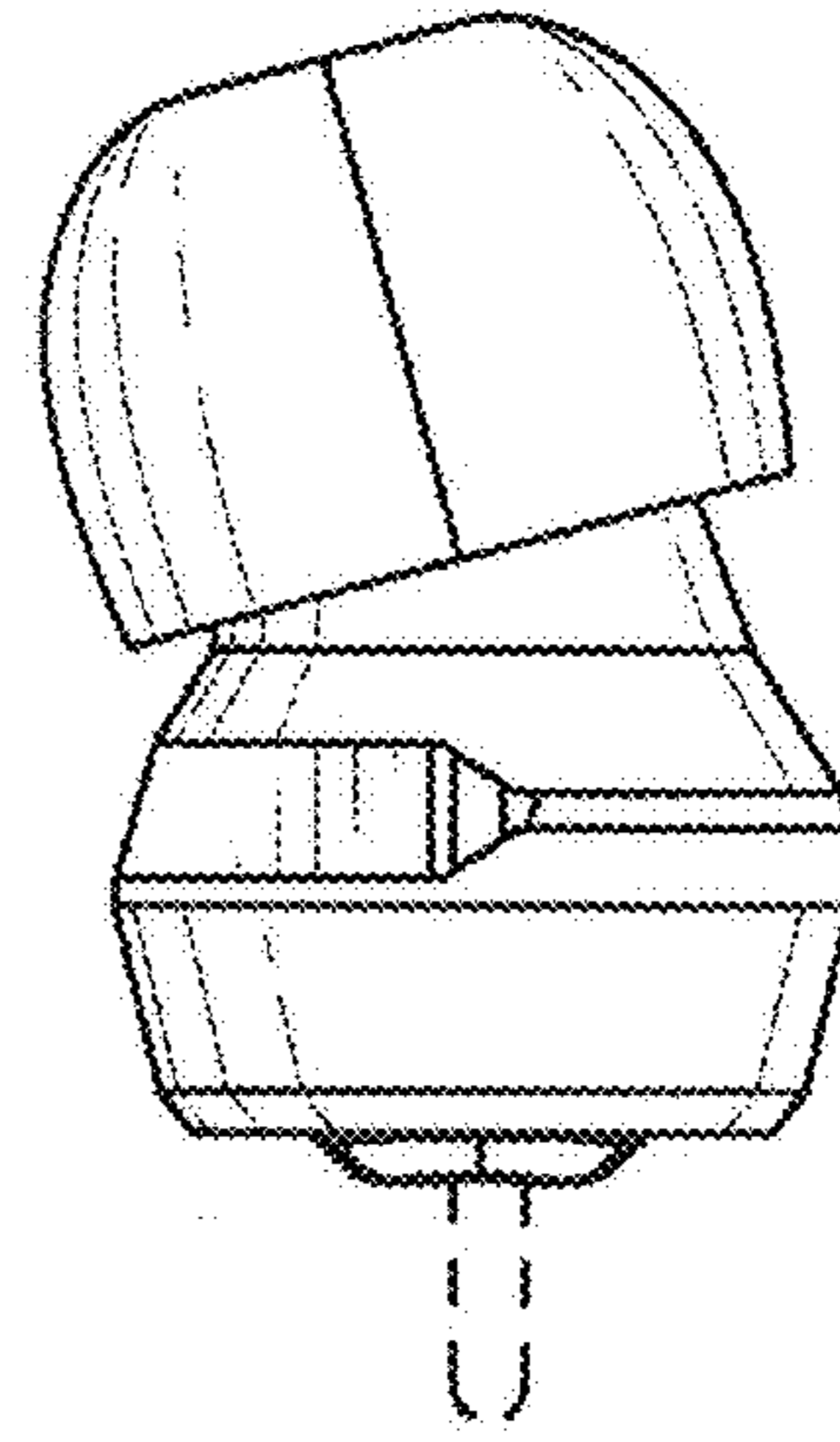


FIG. 6

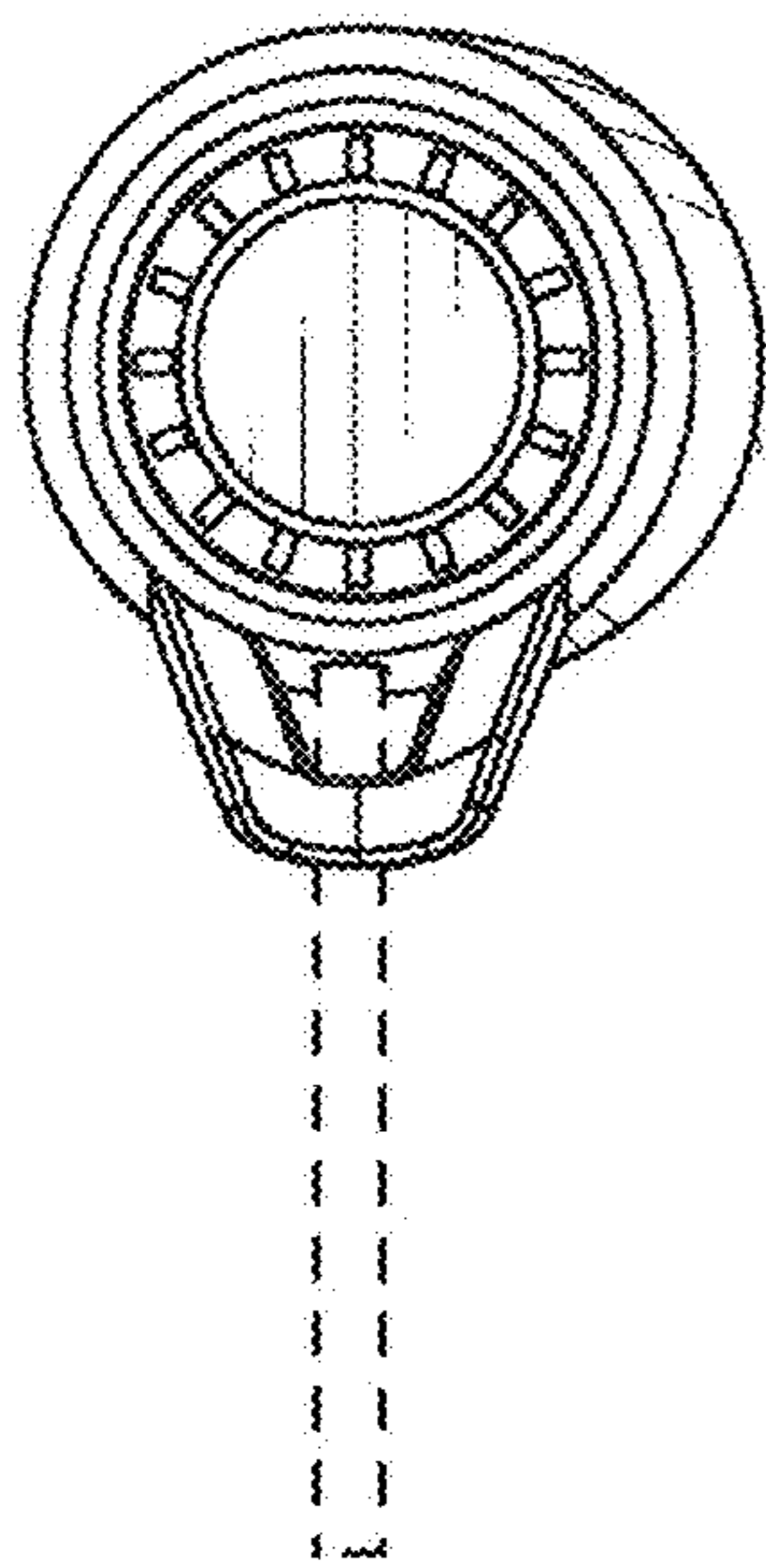


FIG. 7

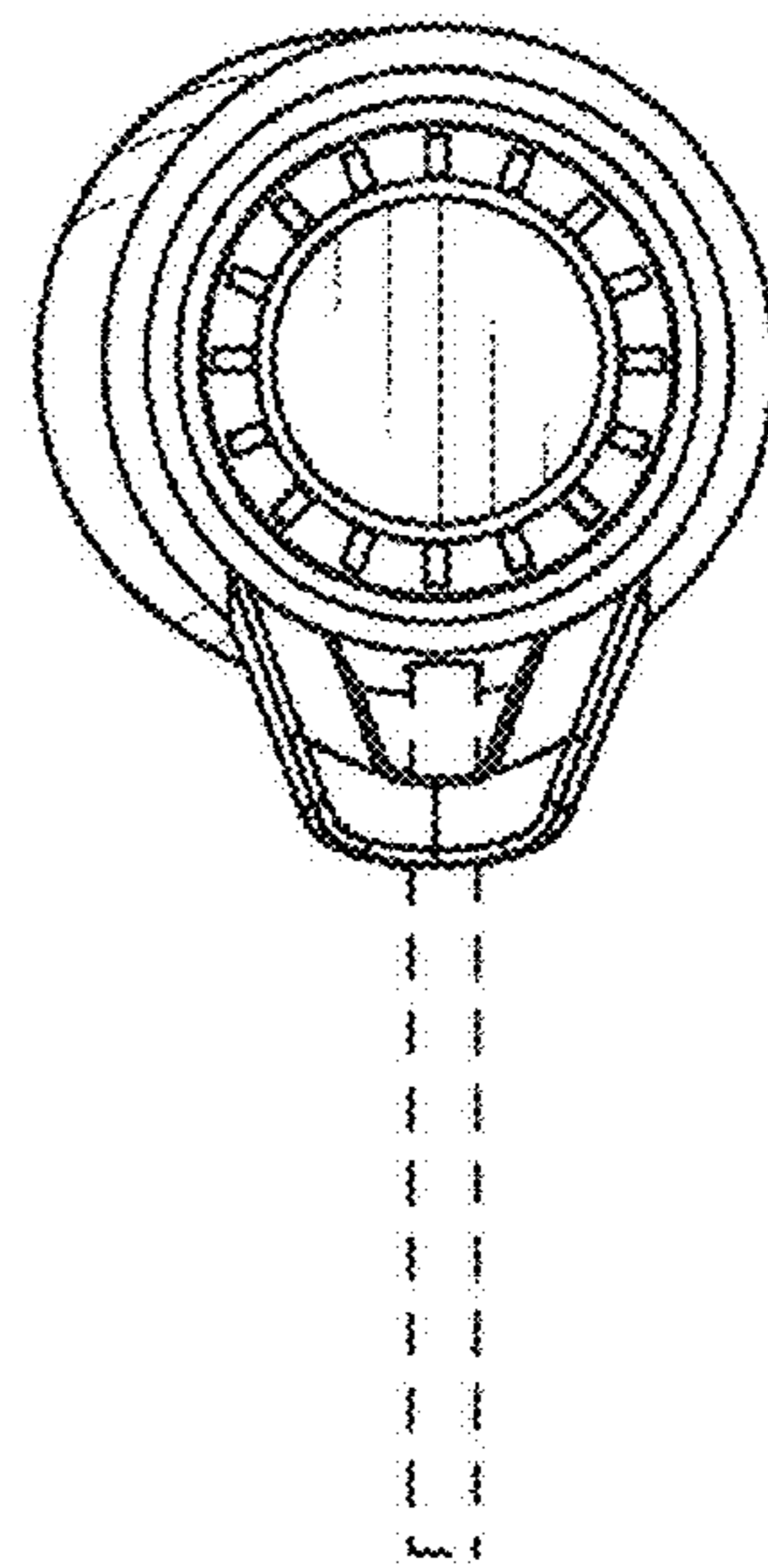


FIG. 8

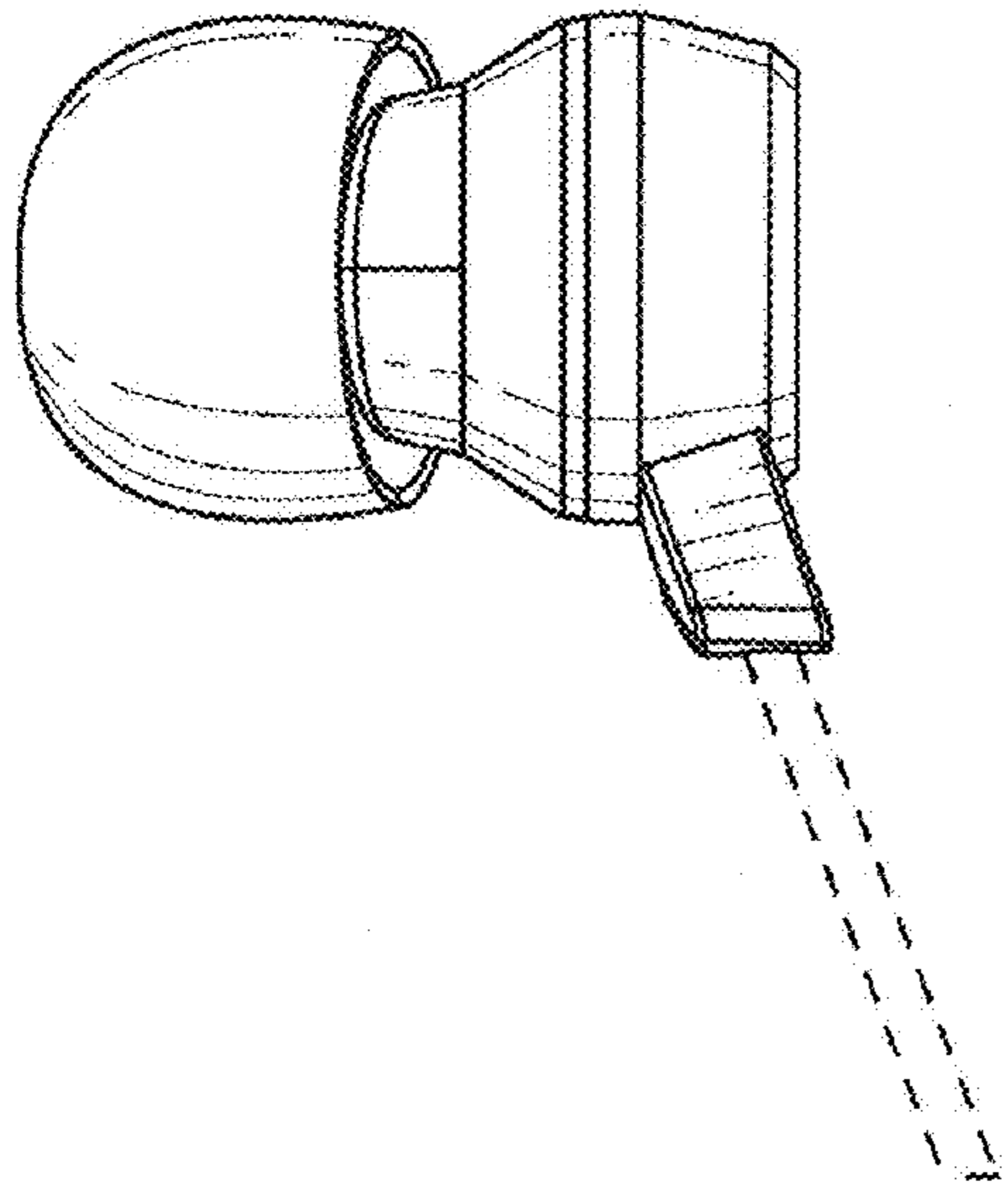


FIG. 9

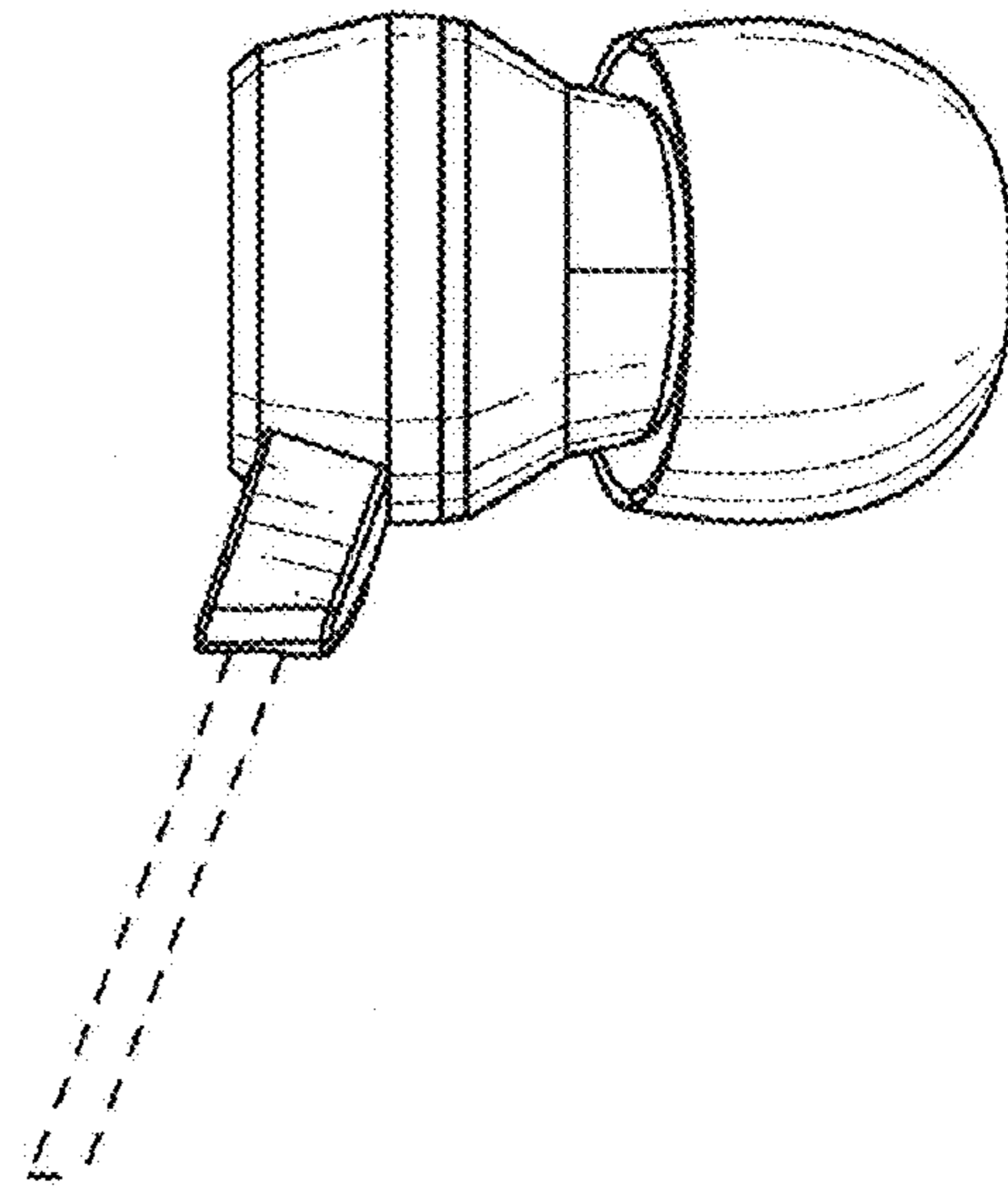


FIG. 10

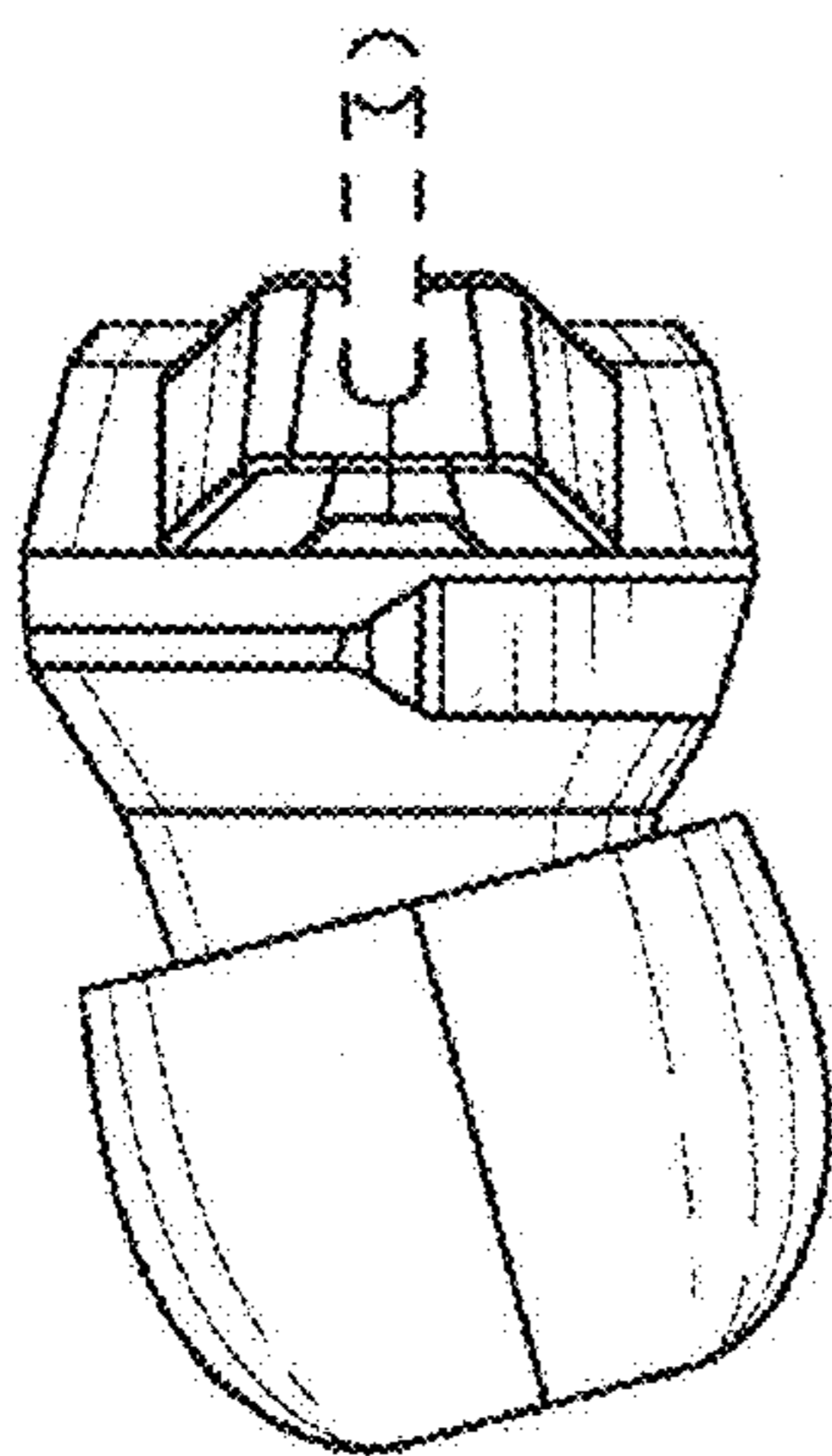


FIG. 11

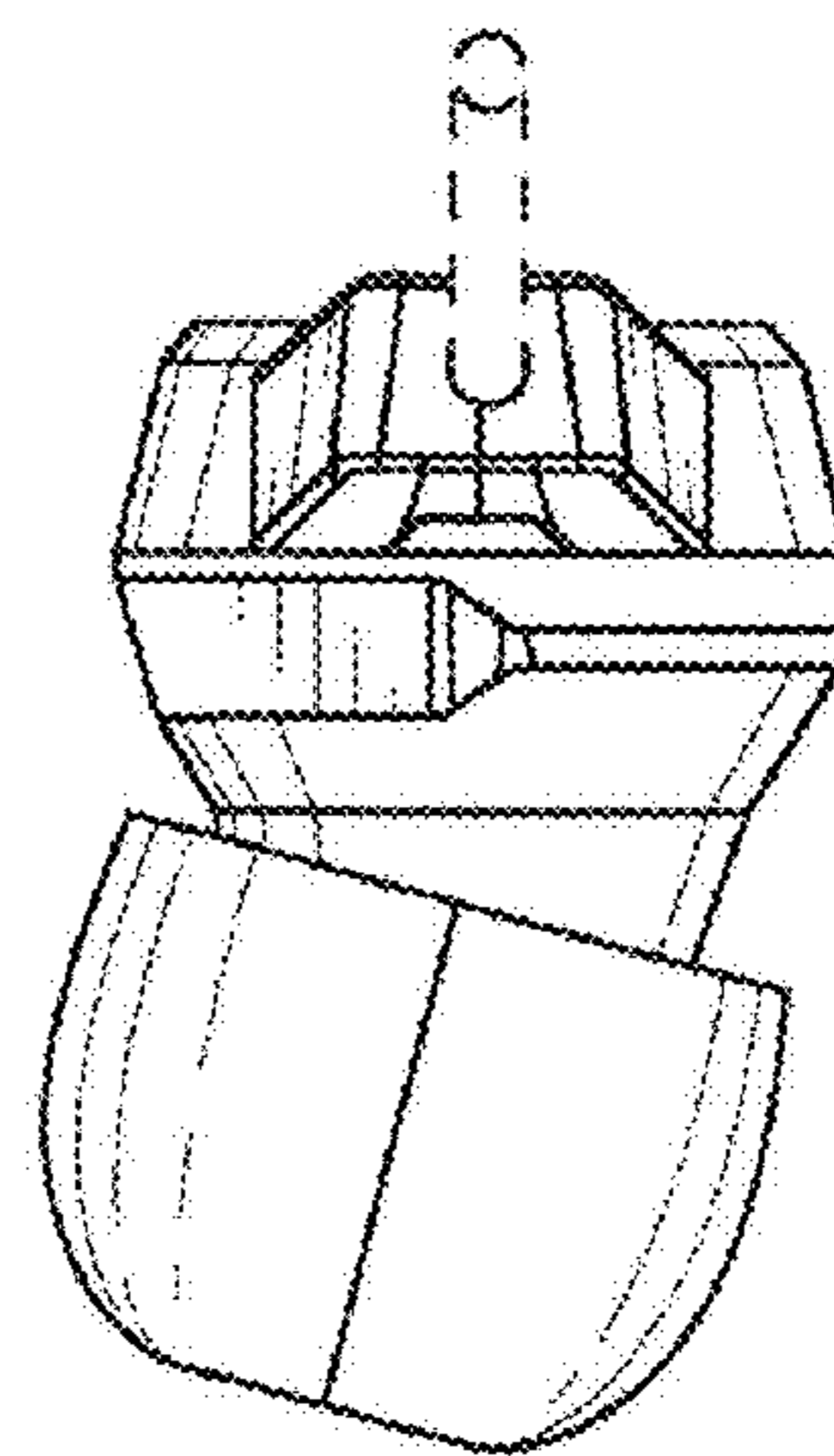


FIG. 12

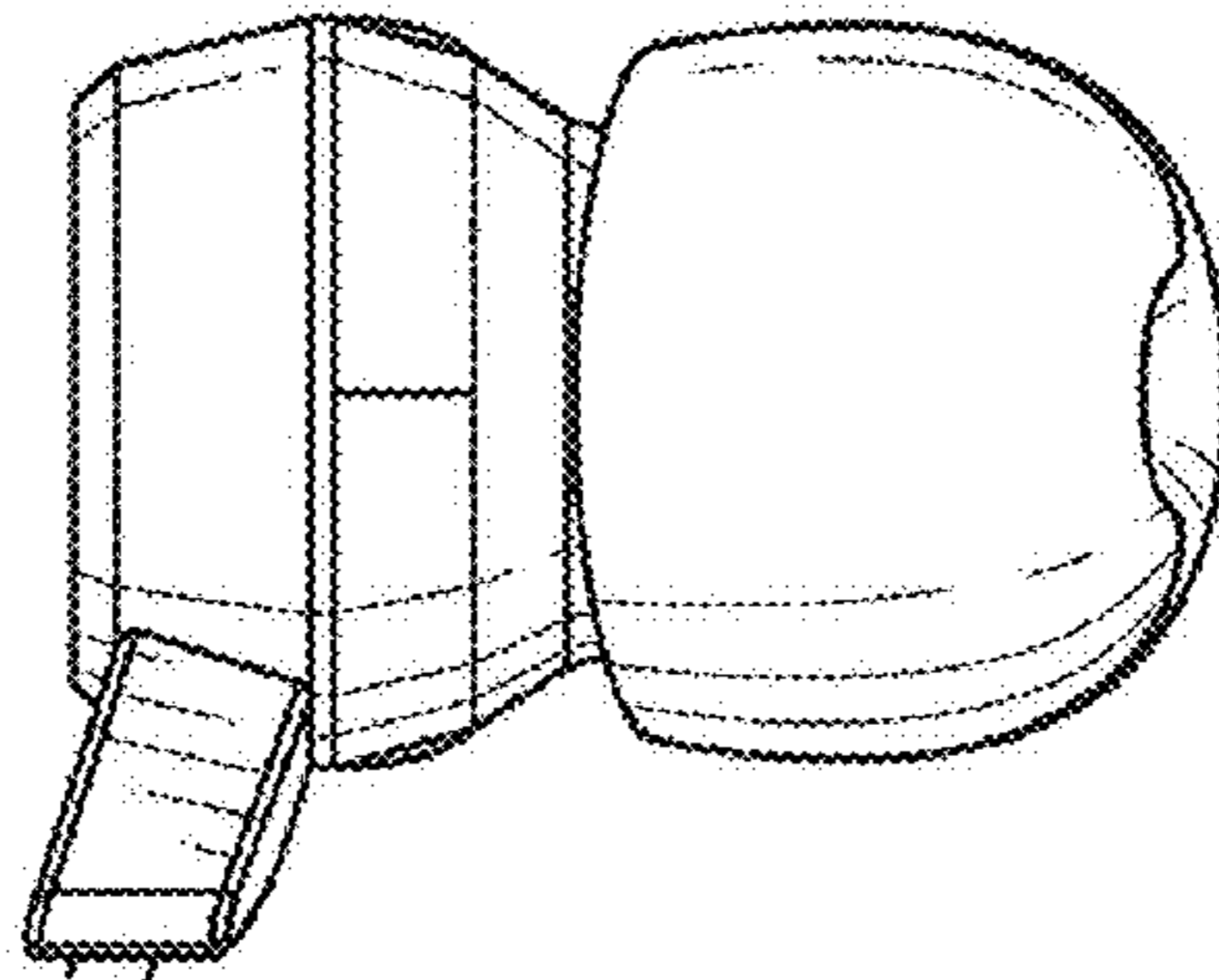


FIG. 13

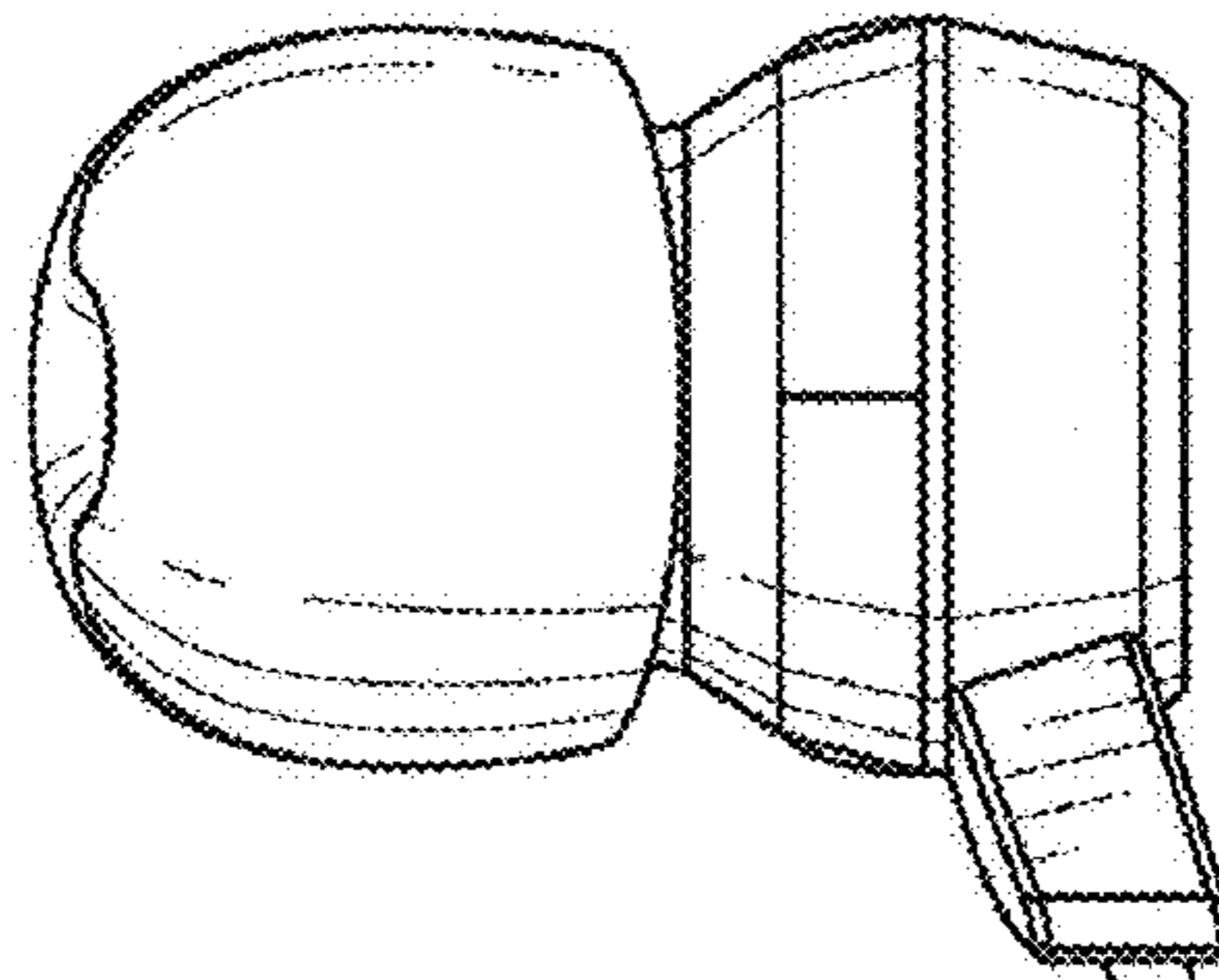


FIG. 14