



US00D647080S

(12) **United States Design Patent**
Akana et al.

(10) **Patent No.:** **US D647,080 S**
(45) **Date of Patent:** **** Oct. 18, 2011**

(54) **DOCKING STATION**

(75) Inventors: **Jody Akana**, San Francisco, CA (US);
Bartley K Andre, Menlo Park, CA (US);
Jeremy Bataillou, San Francisco, CA
(US); **Daniel J. Coster**, San Francisco,
CA (US); **Daniele De Iuliis**, San
Francisco, CA (US); **Evans Hankey**,
San Francisco, CA (US); **Richard P.**
Howarth, San Francisco, CA (US);
Jonathan P. Ive, San Francisco, CA
(US); **Duncan Robert Kerr**, San
Francisco, CA (US); **Shin Nishibori**,
Portola Valley, CA (US); **Matthew Dean**
Rohrbach, San Francisco, CA (US);
Peter Russell-Clarke, San Francisco,
CA (US); **Christopher J. Stringer**,
Woodside, CA (US); **Eugene Antony**
Whang, San Francisco, CA (US); **Rico**
Zorkendorfer, San Francisco, CA (US)

(73) Assignee: **Apple Inc.**, Cupertino, CA (US)

(**) Term: **14 Years**

(21) Appl. No.: **29/383,469**

(22) Filed: **Jan. 18, 2011**

Related U.S. Application Data

(60) Division of application No. 29/354,598, filed on Jan. 26, 2010, now Pat. No. Des. 631,468, which is a continuation of application No. 29/353,321, filed on Jan. 6, 2010, now Pat. No. Des. 628,562.

(51) **LOC (9) Cl.** **14-02**

(52) **U.S. Cl.** **D14/217; D14/434**

(58) **Field of Classification Search** D14/142,
D14/149, 155, 157, 188, 191-193, 203.1-203.8,
D14/217, 251, 253, 432-435.1, 447, 451,
D14/457, 460, 461, 474, 480.1-480.7, 496;
D13/107, 108, 118; 248/221.11, 309.1; 320/107,
320/110, 113-115; 361/600; 439/529, 534;
455/556.1-556.2, 557

See application file for complete search history.

(56) **References Cited**

U.S. PATENT DOCUMENTS

D335,861 S 5/1993 Tattari
(Continued)

FOREIGN PATENT DOCUMENTS

KR 3003928710000 9/2005

OTHER PUBLICATIONS

Search Report For New Design Patent Application No. 099302711, completed Jan. 20, 2011, 1 page.

Primary Examiner — Prabhakar Deshmukh

Assistant Examiner — Keli L Hill

(74) *Attorney, Agent, or Firm* — Sterne, Kessler, Goldstein & Fox PLLC

(57) **CLAIM**

The ornamental design for a docking station, as shown and described.

DESCRIPTION

FIG. 1 is a top front perspective view of a docking station showing our new design;

FIG. 2 is a top rear perspective view thereof;

FIG. 3 is a bottom front perspective view thereof;

FIG. 4 is a bottom rear perspective view thereof;

FIG. 5 is a top view thereof;

FIG. 6 is a bottom view thereof;

FIG. 7 is a front view thereof;

FIG. 8 is rear view thereof;

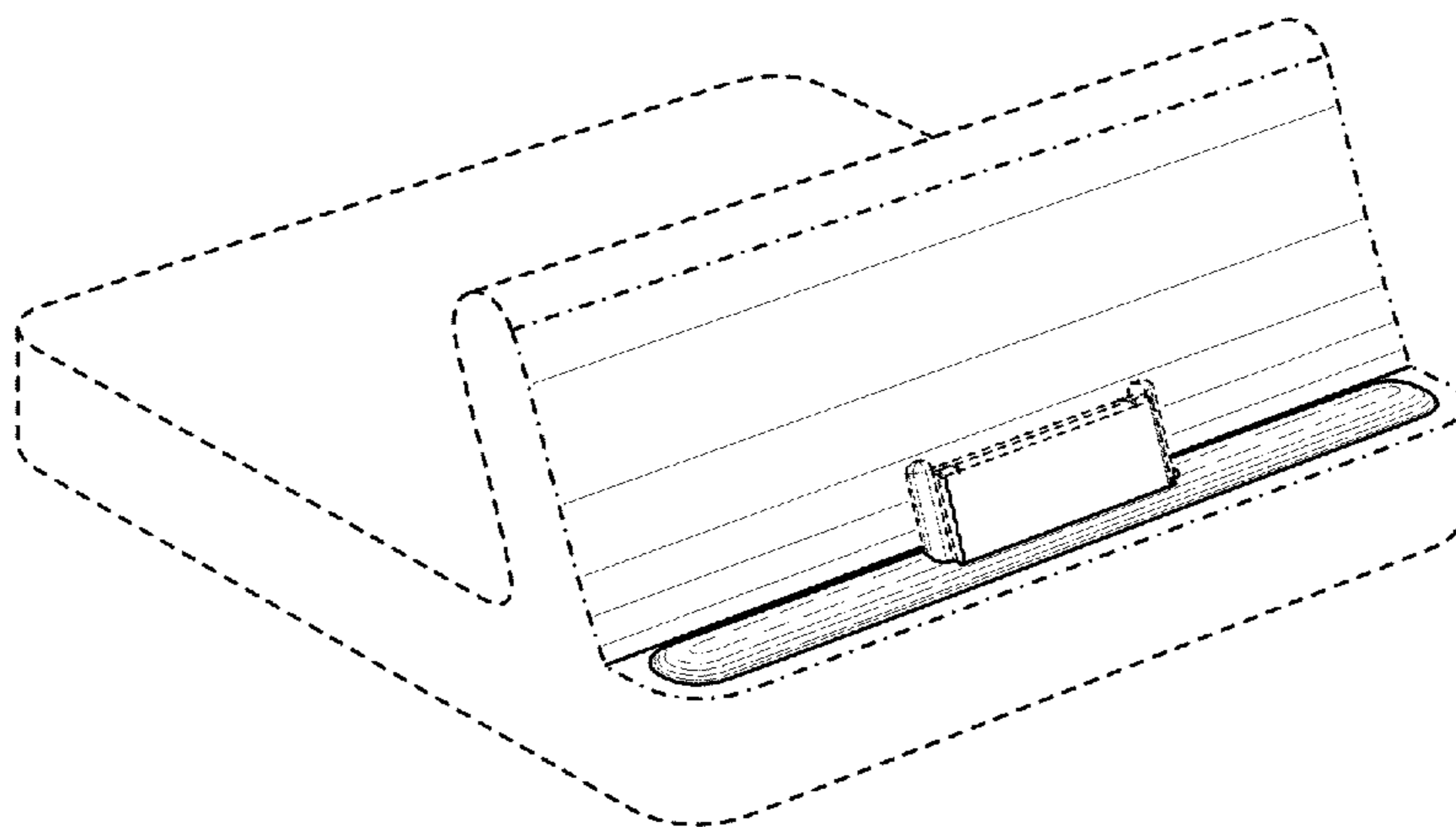
FIG. 9 is a side view thereof; and,

FIG. 10 is another side view thereof.

The shade lines in the Figures show contour and not surface ornamentation.

The dashed broken lines in the figures show portions of the docking station which form no part of the claimed design. The dot-dash broken lines in the Figures show unclaimed boundary lines.

1 Claim, 5 Drawing Sheets



US D647,080 S

Page 2

U.S. PATENT DOCUMENTS

D408,026 S	4/1999	Hung et al.	
6,031,924 A *	2/2000	Etzel	381/389
D429,242 S	8/2000	Sun	
D454,353 S *	3/2002	Hicks et al.	D14/457
D472,900 S *	4/2003	Matsumoto	D14/447
D483,771 S	12/2003	Esswein	
D494,182 S	8/2004	Singer et al.	
D507,526 S	7/2005	Ohta	
D515,062 S	2/2006	Winebrenner et al.	
D579,917 S	11/2008	Marchand et al.	
D584,731 S	1/2009	Montgomery et al.	
D593,988 S	6/2009	Liu et al.	
D599,801 S	9/2009	Skaf et al.	
D607,879 S	1/2010	Ferber et al.	
D609,697 S	2/2010	Legrand et al.	
D628,562 S *	12/2010	Akana et al.	D14/217
D631,468 S *	1/2011	Akana et al.	D14/217
2010/0118485 A1	5/2010	Crooijmans et al.	

* cited by examiner

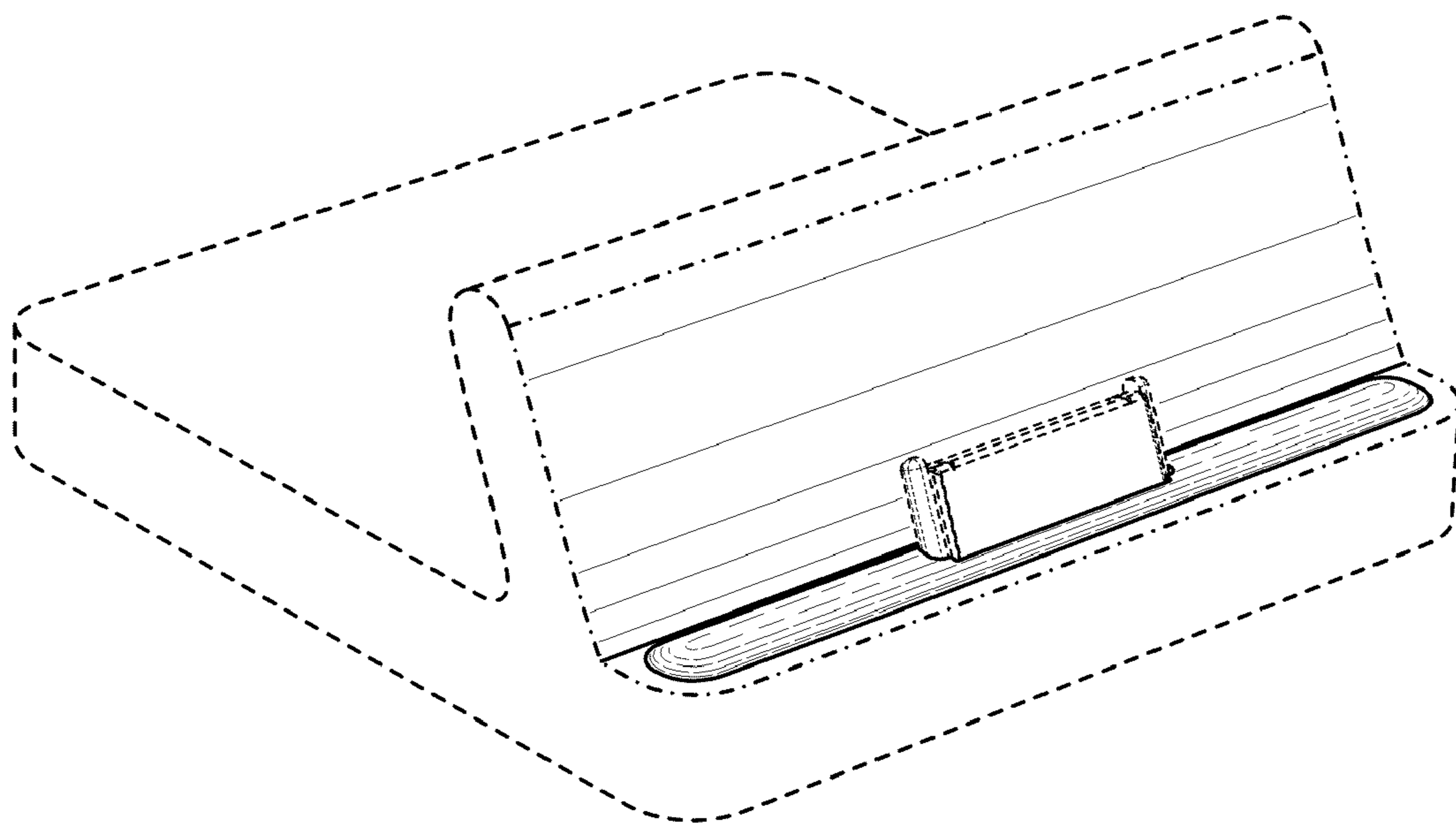


FIG. 1

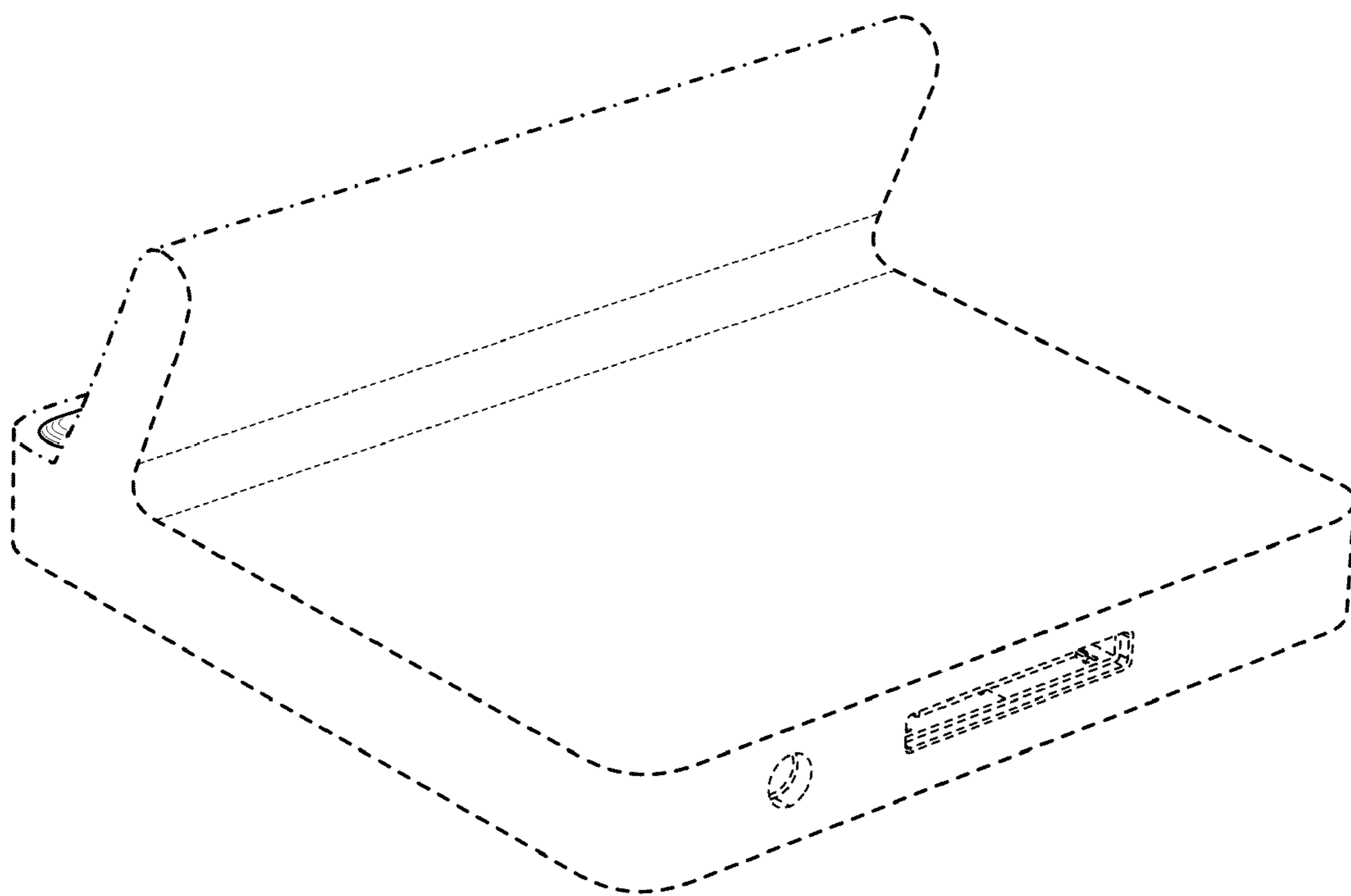


FIG. 2

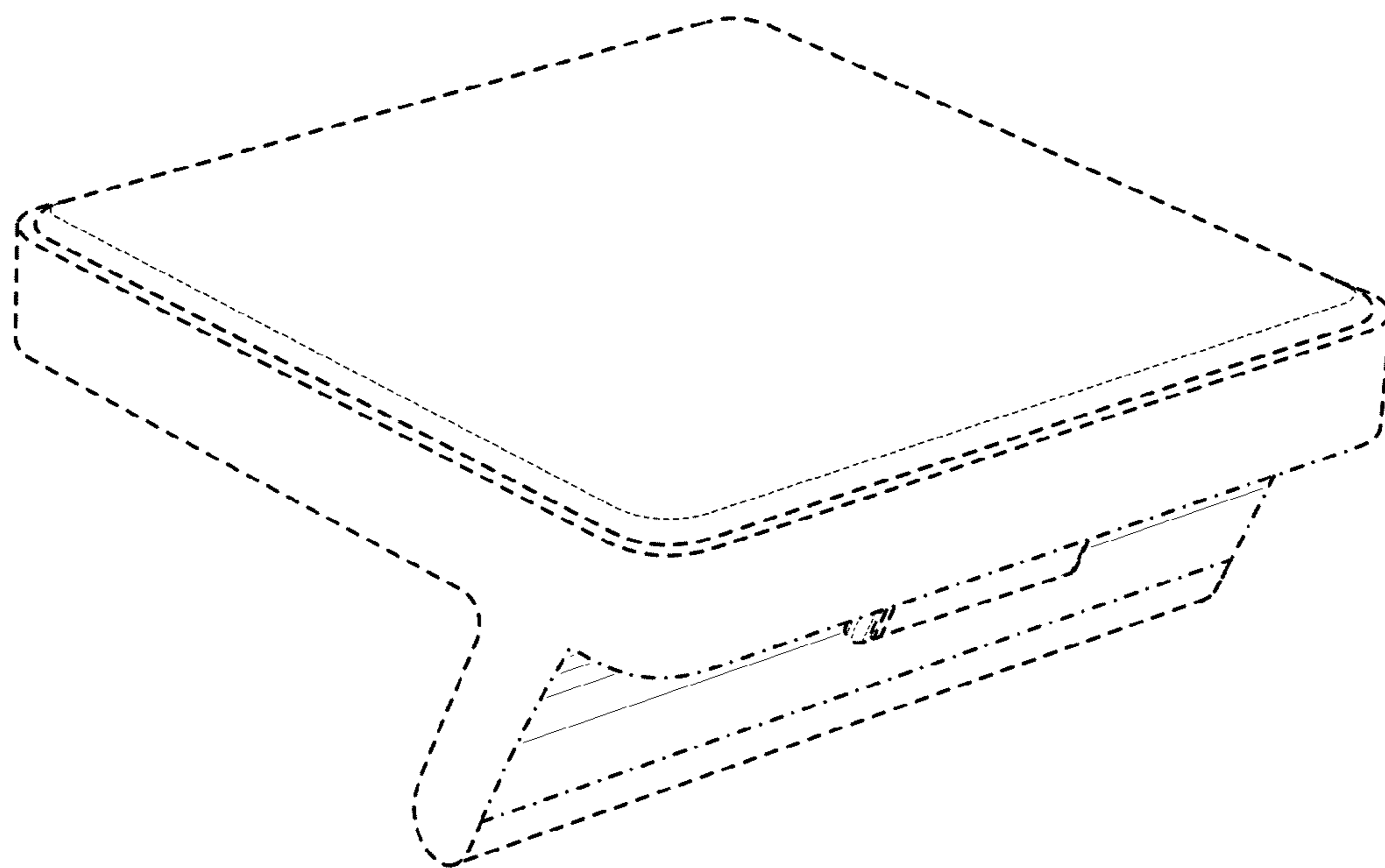


FIG. 3

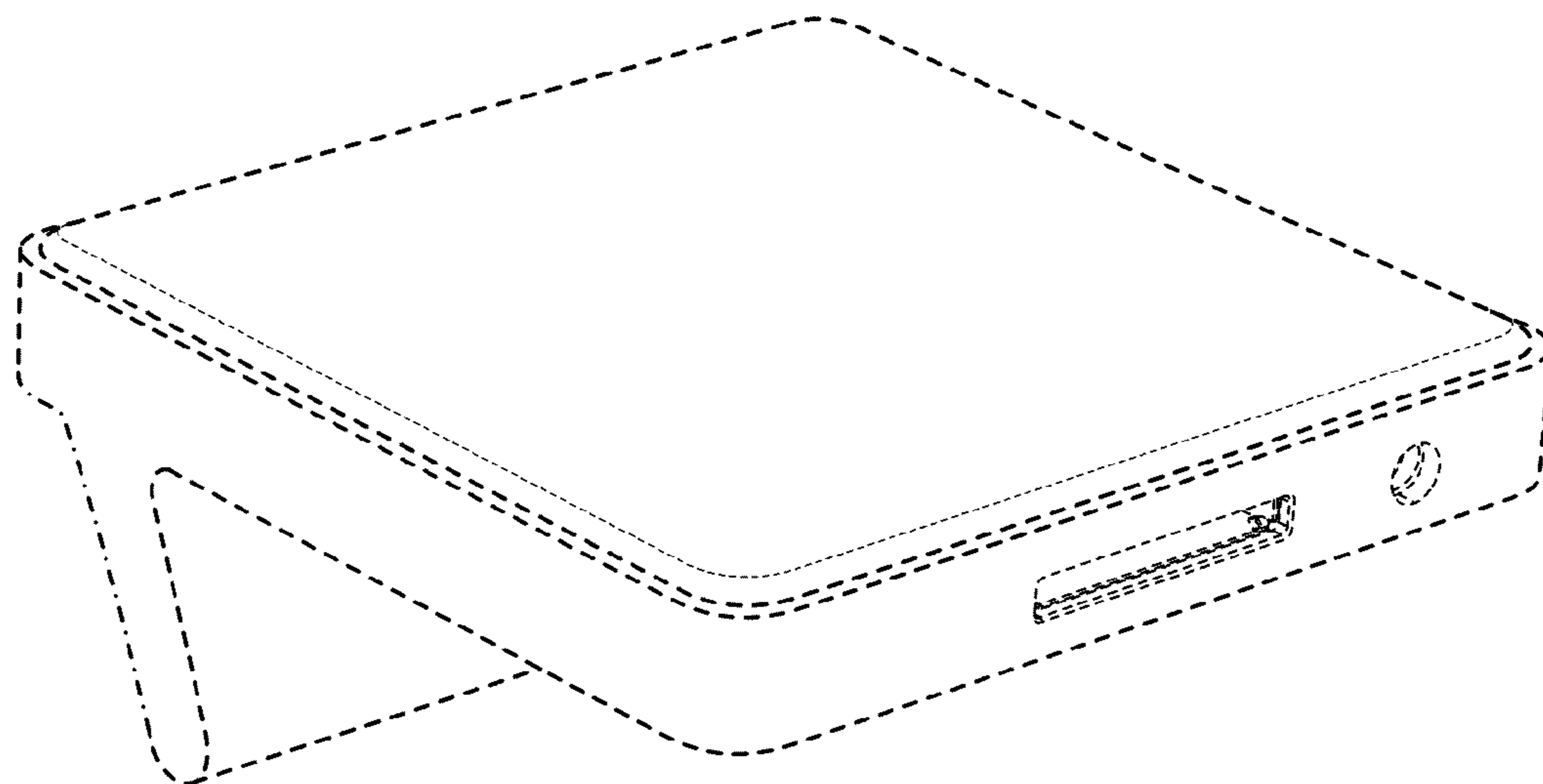


FIG. 4

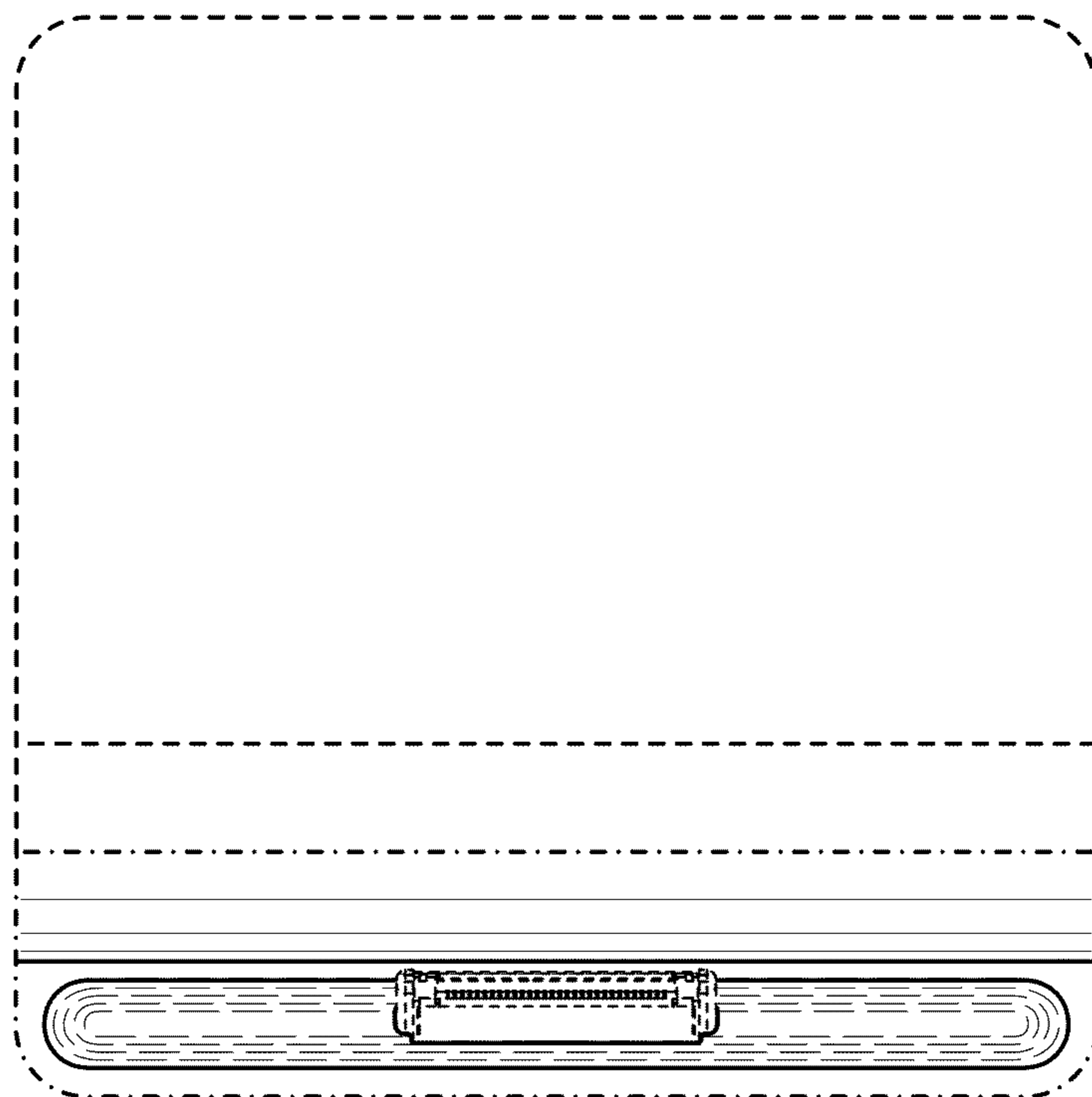


FIG. 5

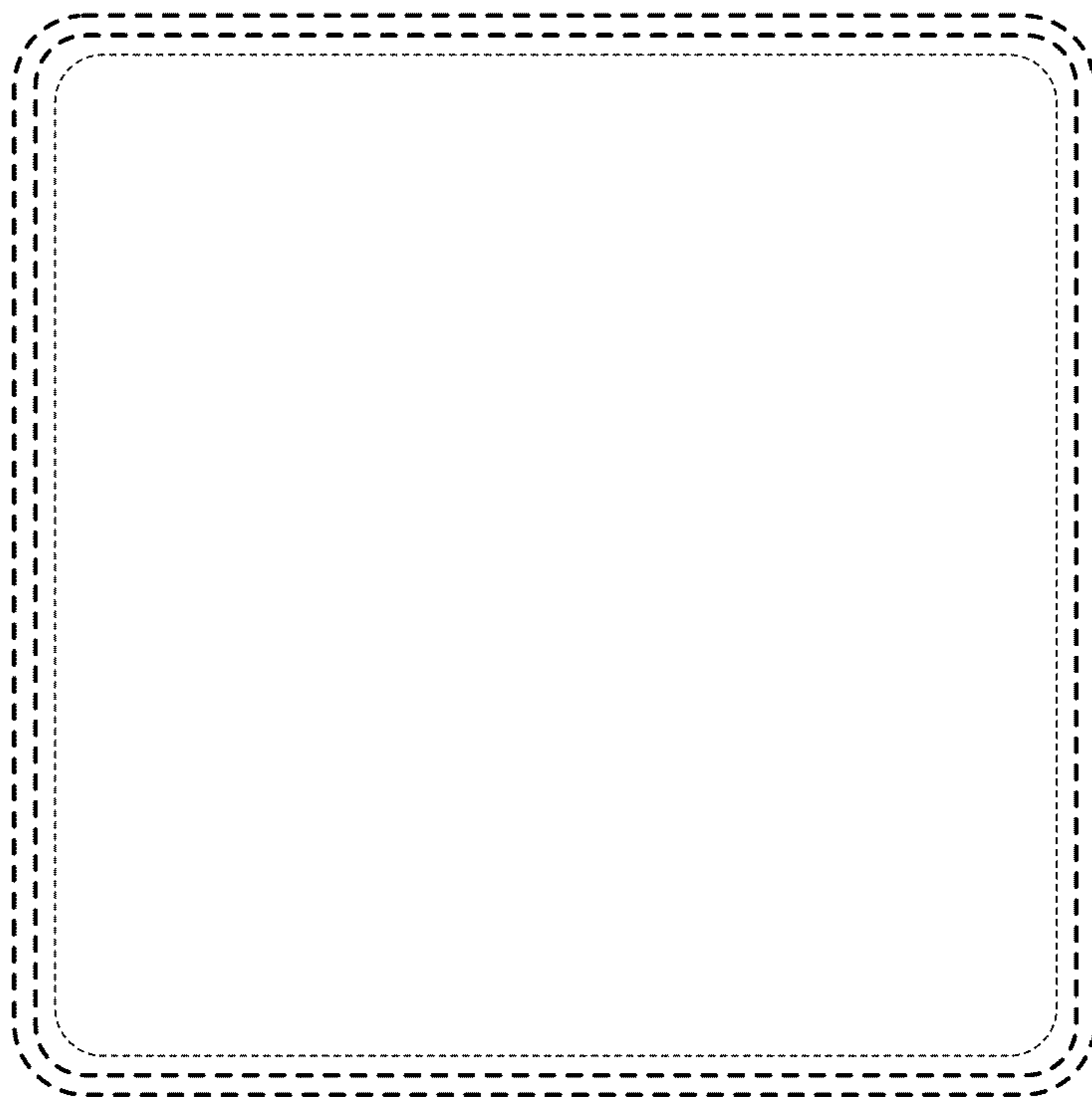


FIG. 6

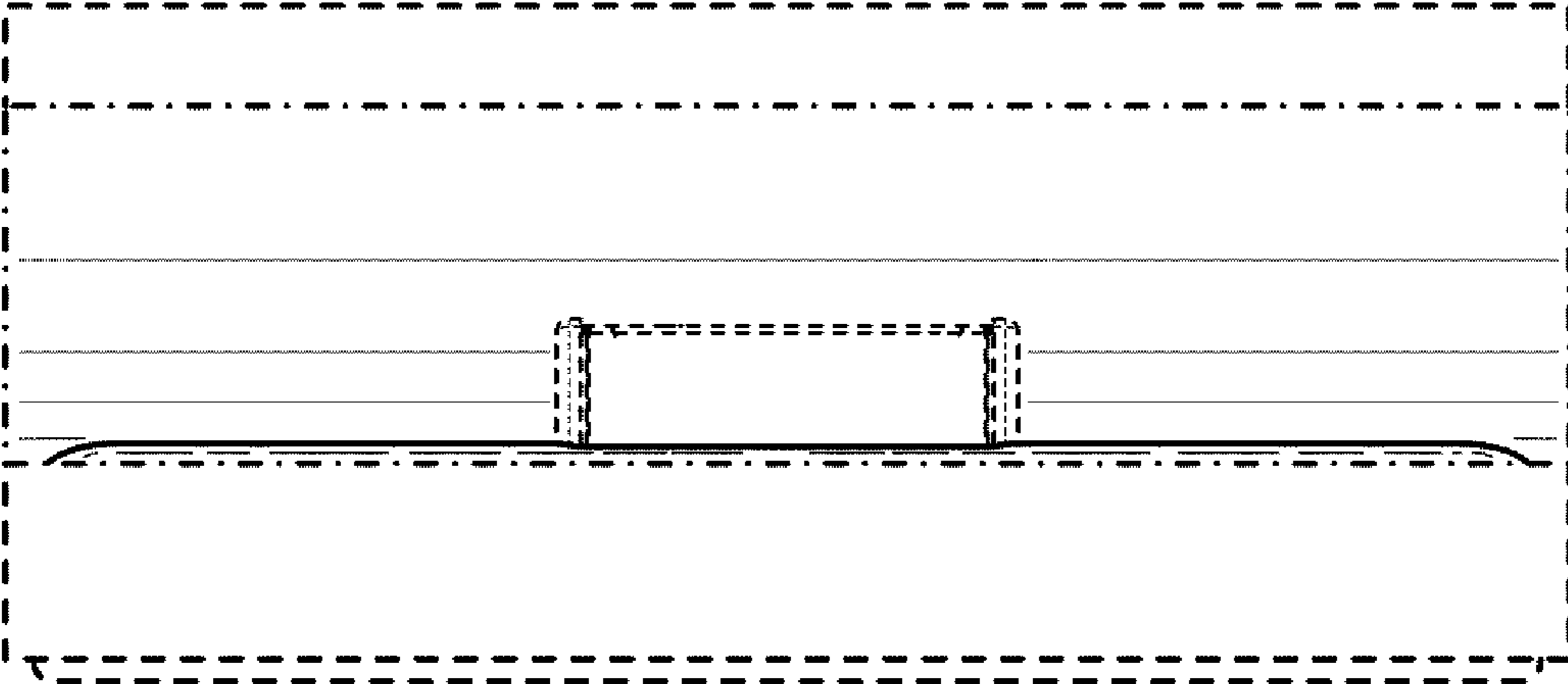


FIG. 7

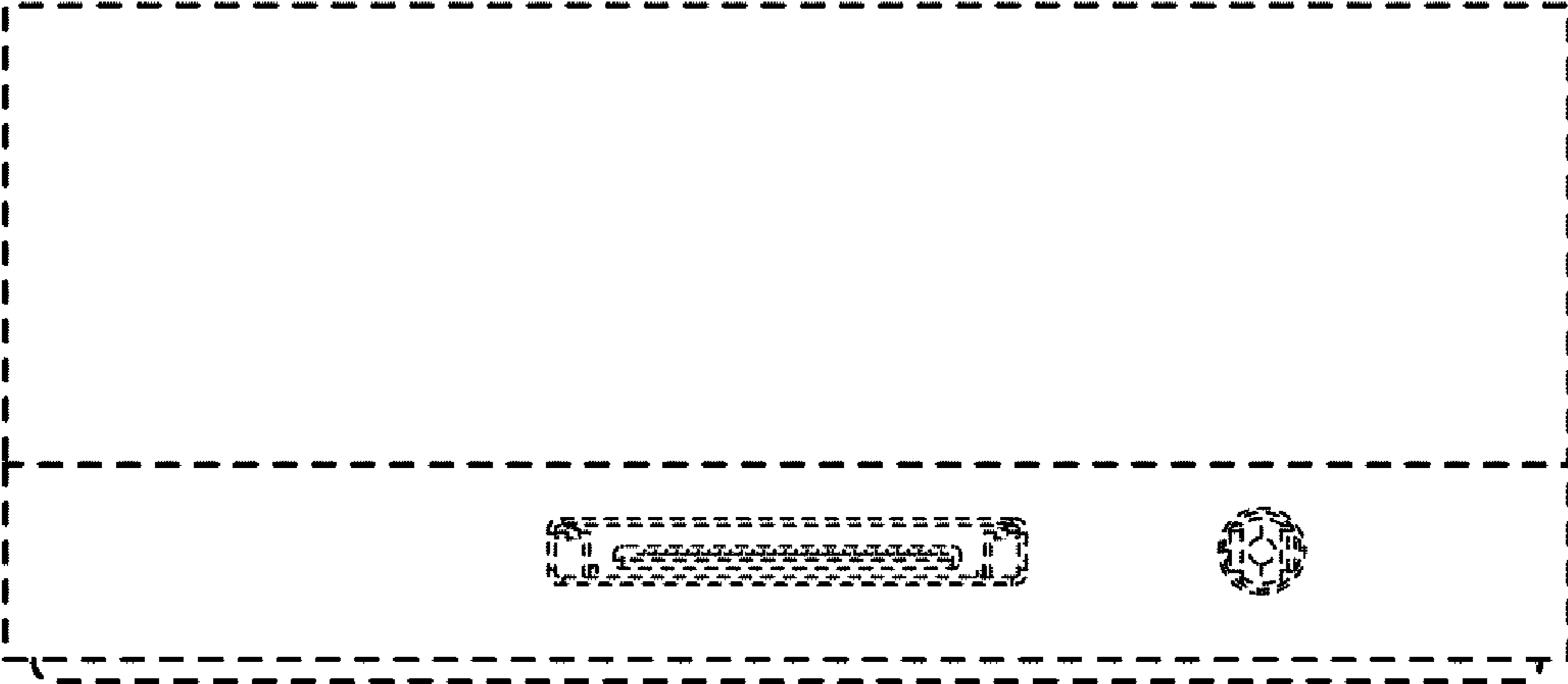


FIG. 8

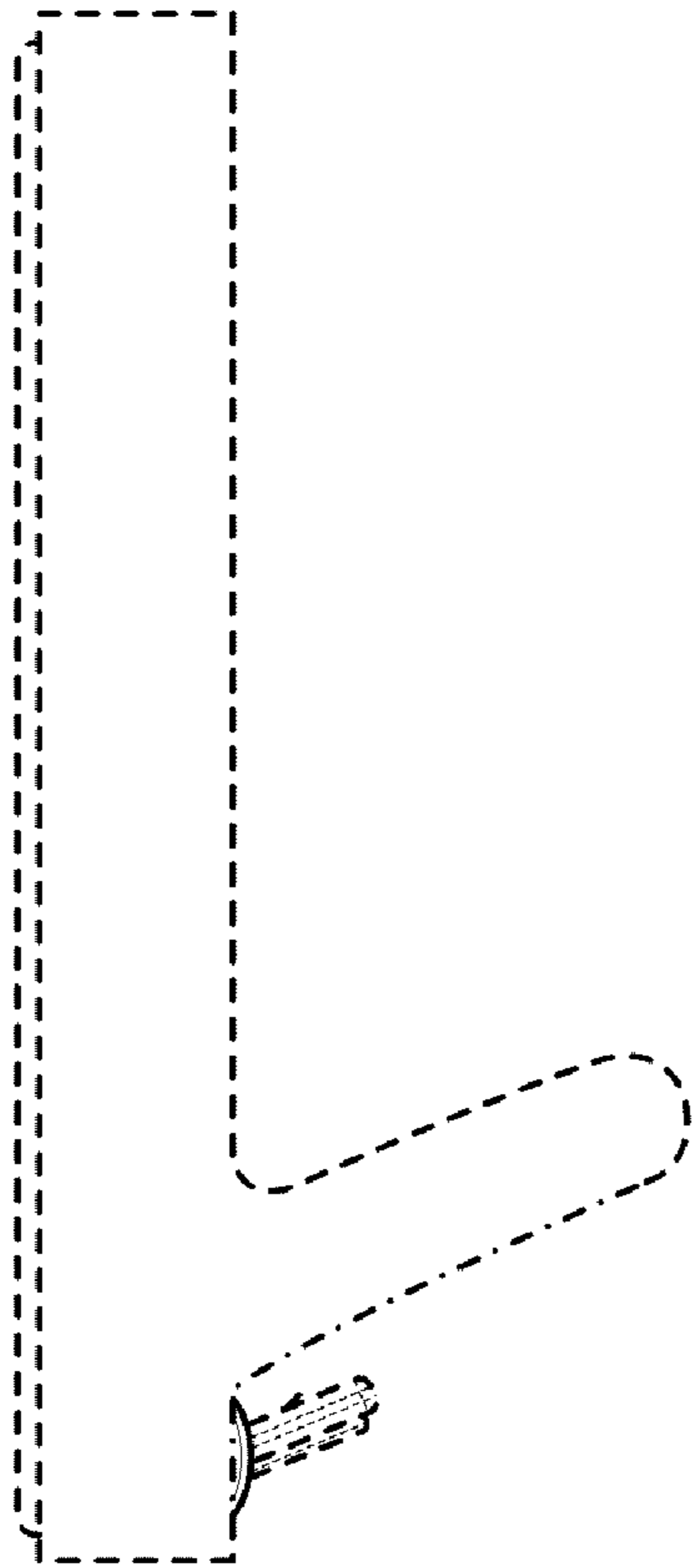


FIG. 9

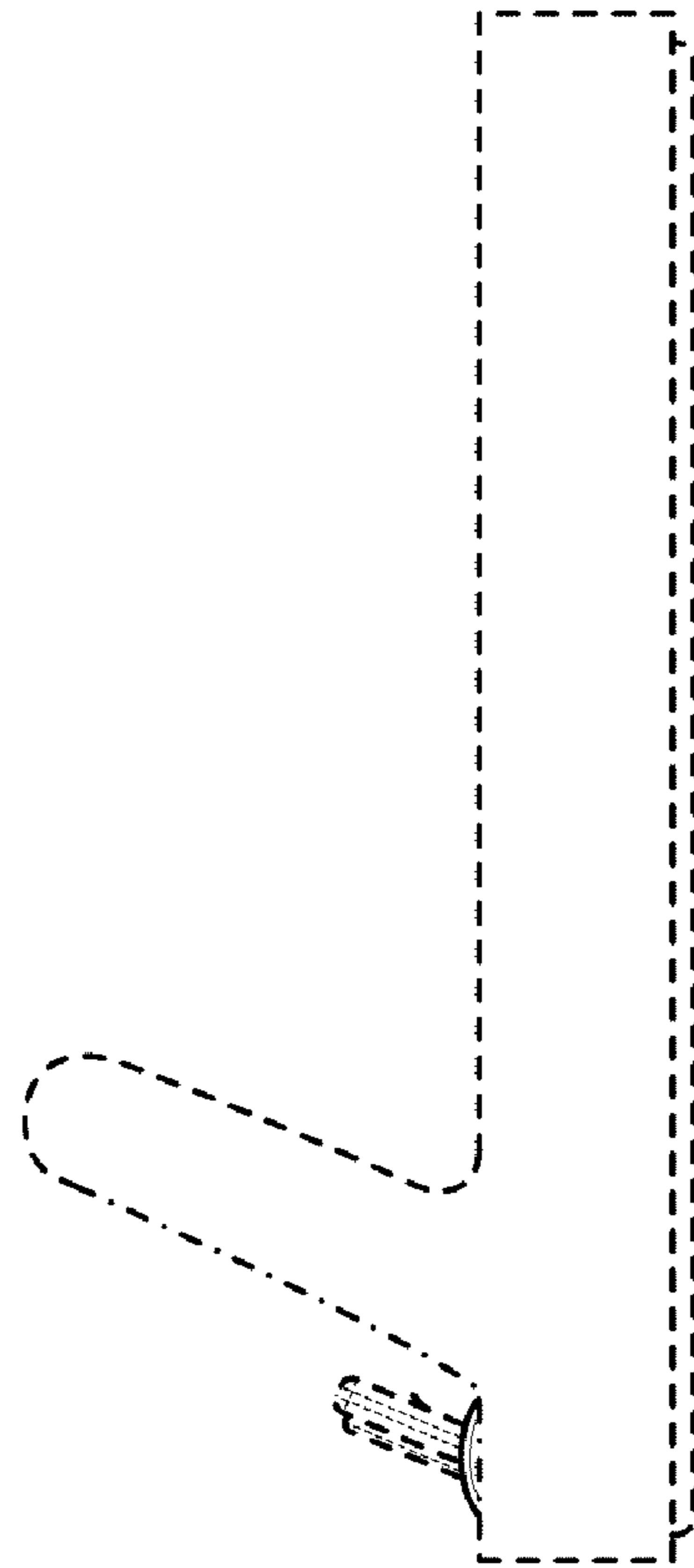


FIG. 10