



US00D647077S

(12) **United States Design Patent**
Hayashi

(10) **Patent No.:** **US D647,077 S**
(45) **Date of Patent:** **** Oct. 18, 2011**

(54) **VOICE RECORDING/REPRODUCING
DEVICE EQUIPPED WITH MOVING IMAGE
SHOOTING FUNCTION**

(75) Inventor: **Yoshihiro Hayashi**, Hachioji (JP)

(73) Assignee: **Olympus Imaging Corp.**, Tokyo (JP)

(**) Term: **14 Years**

(21) Appl. No.: **29/385,032**

(22) Filed: **Feb. 8, 2011**

(30) **Foreign Application Priority Data**

Jan. 5, 2011 (JP) 2011-000092

(51) **LOC (9) Cl.** **14-01**

(52) **U.S. Cl.** **D14/167**

(58) **Field of Classification Search** D14/167,
D14/154, 168, 188, 496, 156, 160, 161, 162,
D14/163, 164, 165, 158, 203.1, 341, 346,
D14/342, 345, 225, 226, 228, 227, 214; 455/351,
455/350; D19/60, 62; D21/330; 369/44.14,
369/44.32; 700/94

See application file for complete search history.

(56) **References Cited**

U.S. PATENT DOCUMENTS

D533,861 S *	12/2006	Amano	D14/167
D558,183 S *	12/2007	Aoki	D14/167
D567,798 S *	4/2008	Oka	D14/167
D571,778 S *	6/2008	Aoki	D14/167
D578,994 S *	10/2008	Oka	D14/167
D583,797 S *	12/2008	Obata	D14/167
D592,178 S *	5/2009	Naito	D14/167
D592,635 S *	5/2009	Obata et al.	D14/167
D598,891 S *	8/2009	Naito	D14/167

D601,120 S *	9/2009	Aoki	D14/167
D608,338 S *	1/2010	Myojo	D14/167
D609,689 S *	2/2010	Obata	D14/167
D623,166 S *	9/2010	Oka	D14/167
D635,120 S *	3/2011	Sakai	D14/167
D635,121 S *	3/2011	Takahashi et al.	D14/167
D635,544 S *	4/2011	Nohara	D14/167

OTHER PUBLICATIONS

U.S. Appl. No. 29/385,020, filed Feb. 8, 2011, entitled Voice Recording/Reproducing Device, inventor: Yoshihiro Hayashi.

* cited by examiner

Primary Examiner — Austin Murphy

(74) *Attorney, Agent, or Firm* — Holtz, Holtz, Goodman & Chick, P.C.

(57) **CLAIM**

The ornamental design for a voice recording/reproducing device equipped with moving image shooting function, as shown and described.

DESCRIPTION

FIG. 1 is a front, top and right side perspective view of a voice recording/reproducing device equipped with photographing function showing my new design;
FIG. 2 is a front elevational view thereof;
FIG. 3 is a rear elevational view thereof;
4 is a top plan view thereof;
FIG. 5 is a bottom plan view thereof;
FIG. 6 is a right side elevational view thereof; and,
FIG. 7 is a left side elevational view thereof.
The broken line showings in FIG. 7 are for environmental purposes only and form no part of the claimed design.

1 Claim, 5 Drawing Sheets

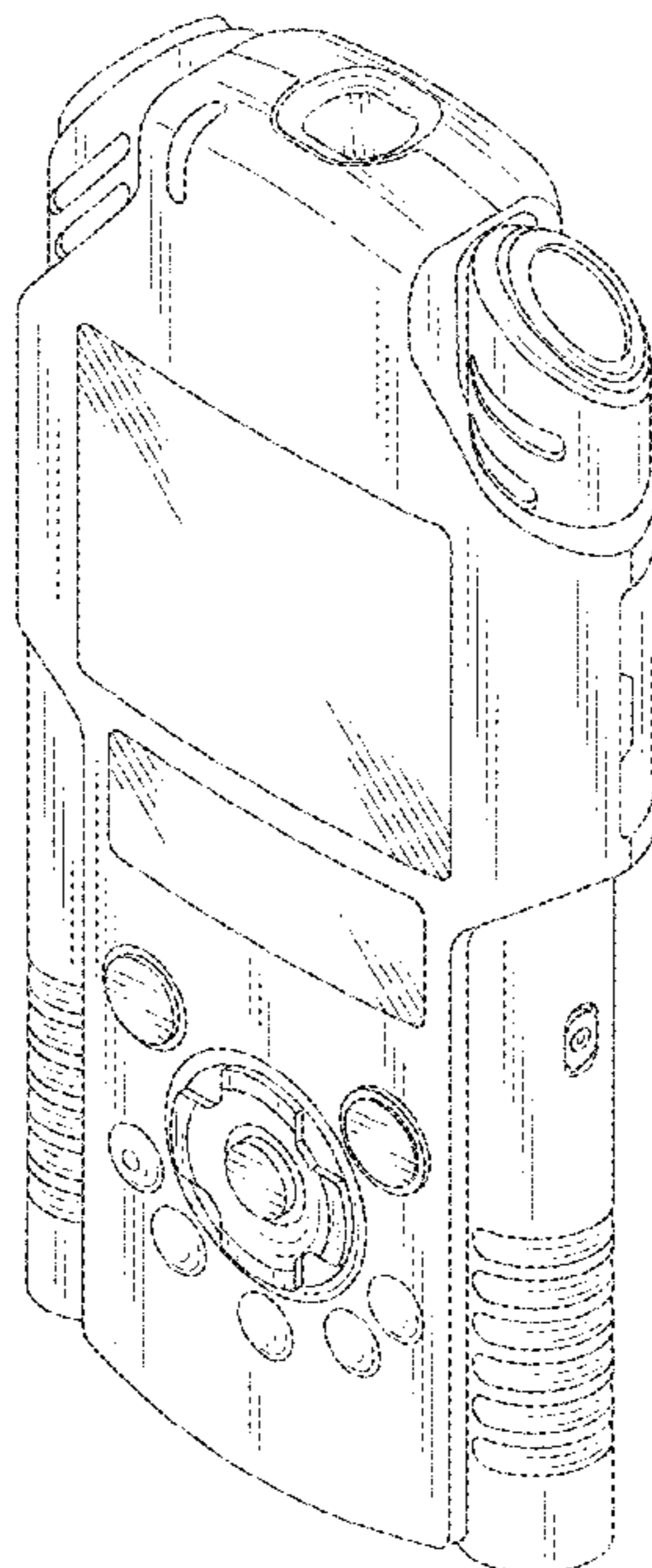


FIG. 1

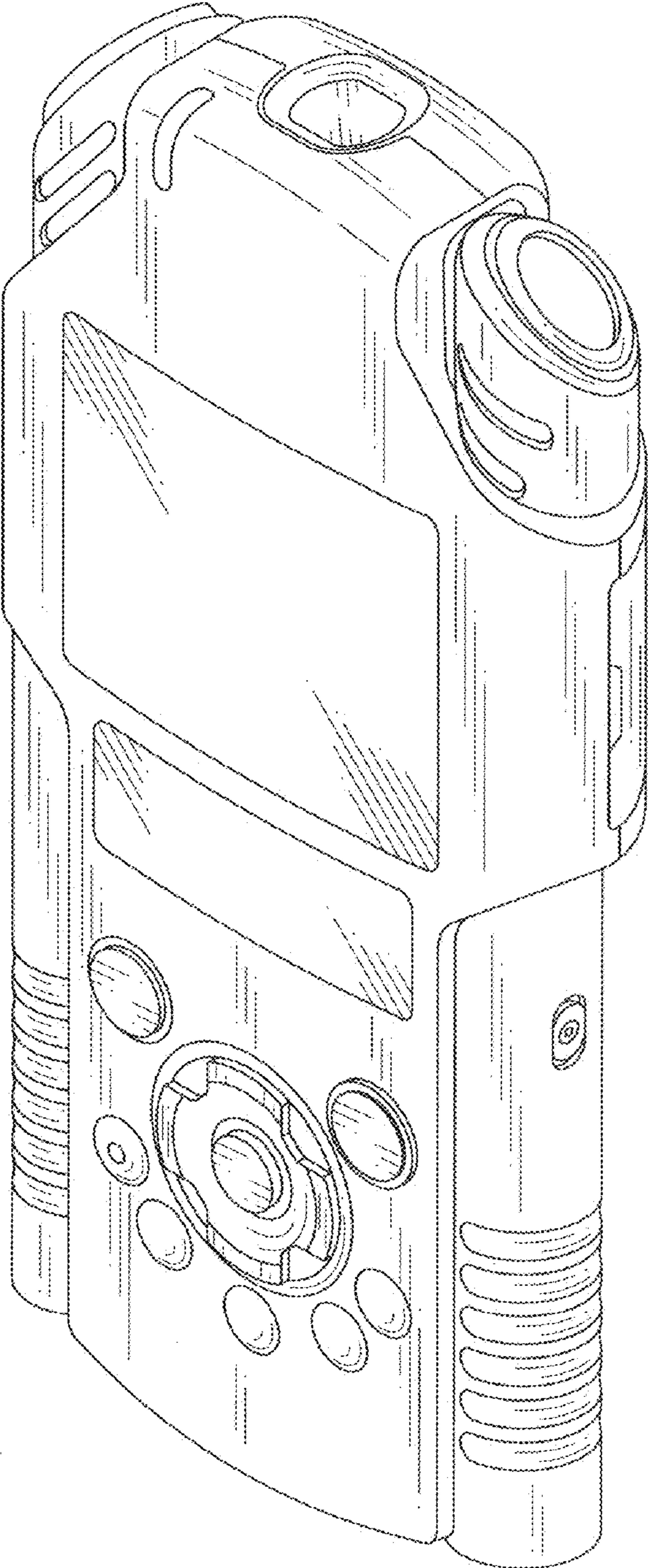


FIG.2

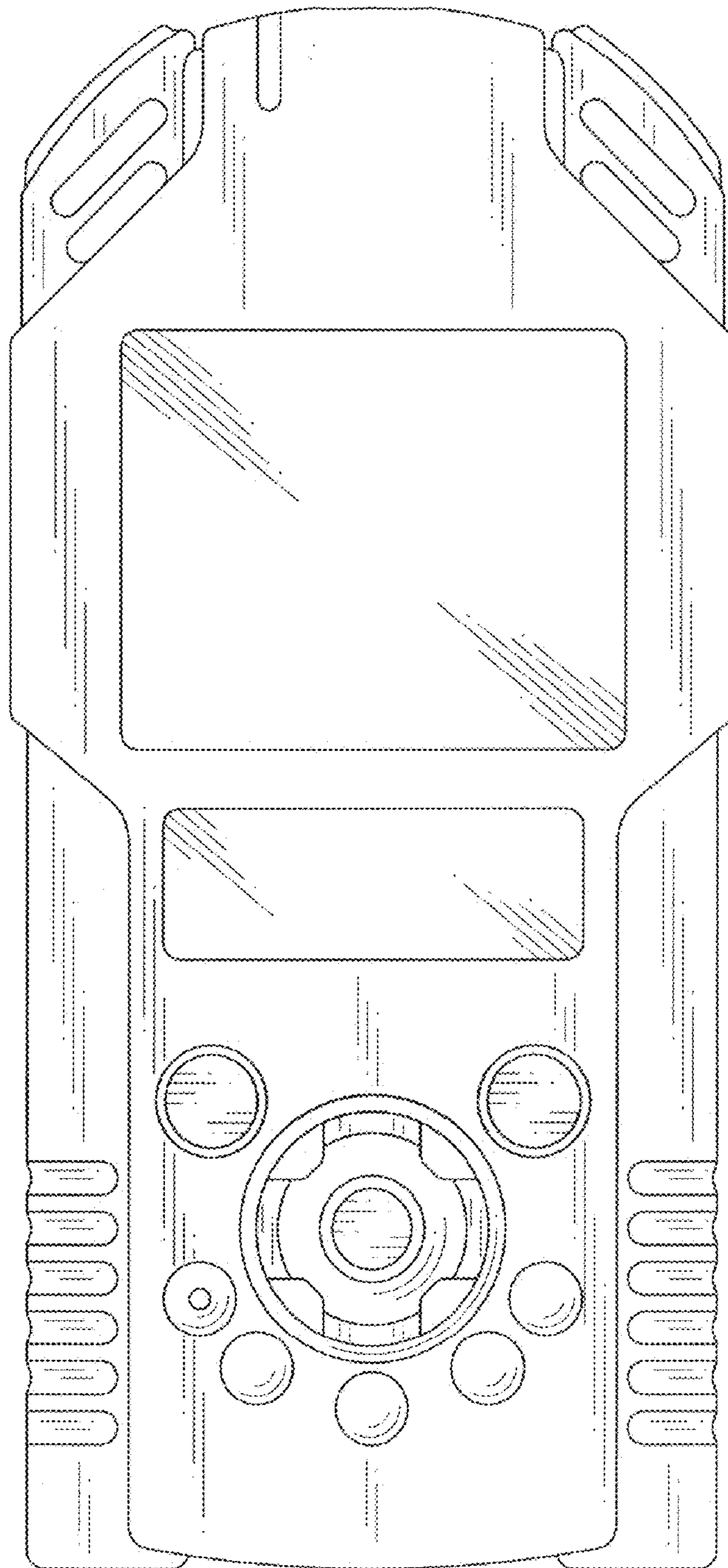


FIG.3

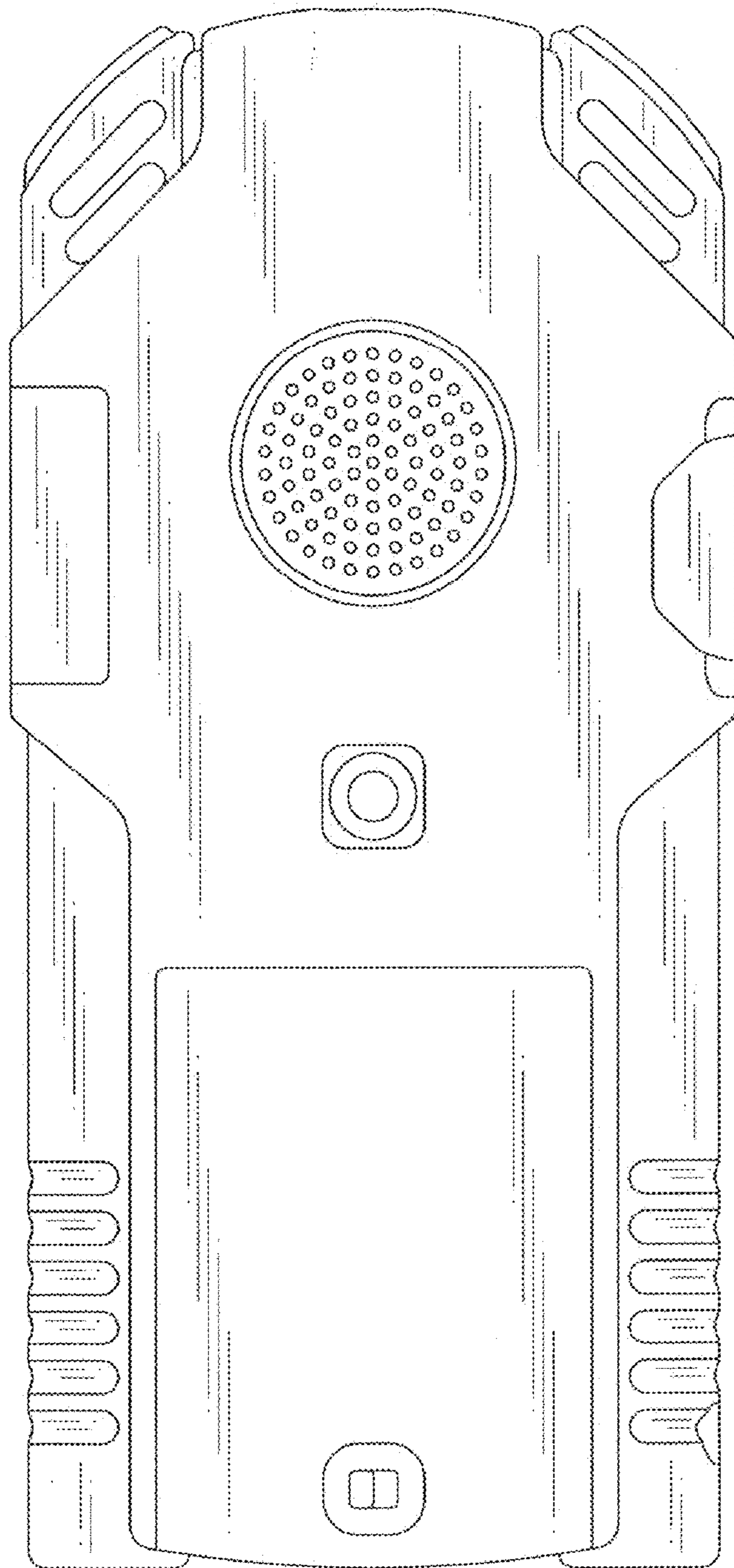


FIG.4

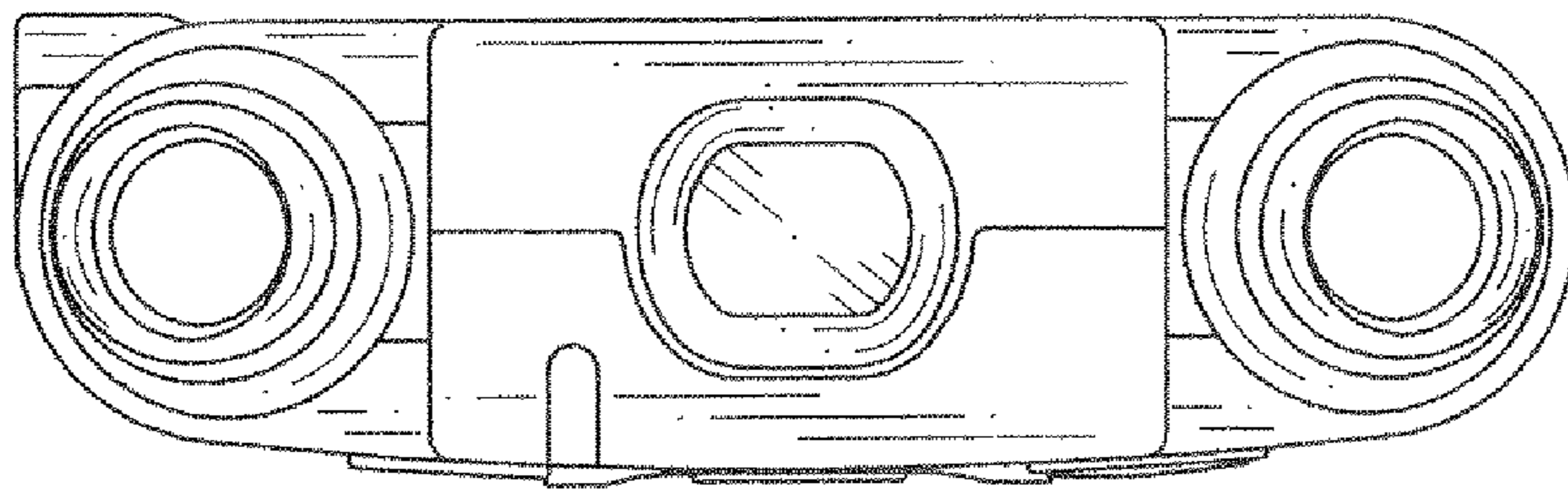


FIG.5

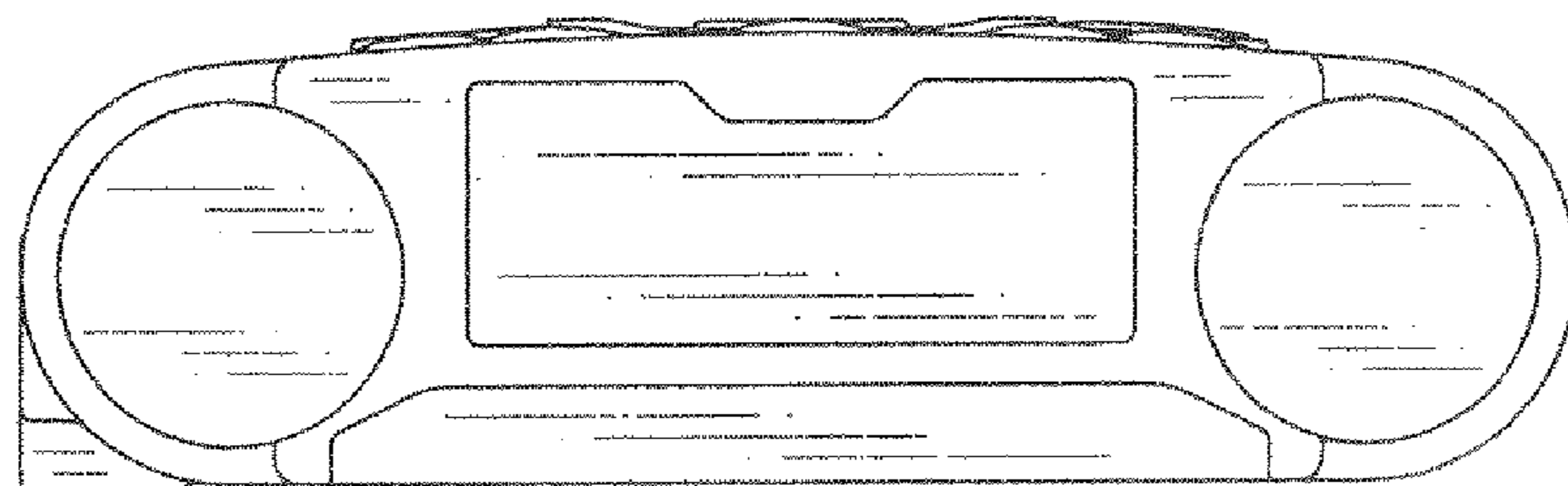


FIG.6

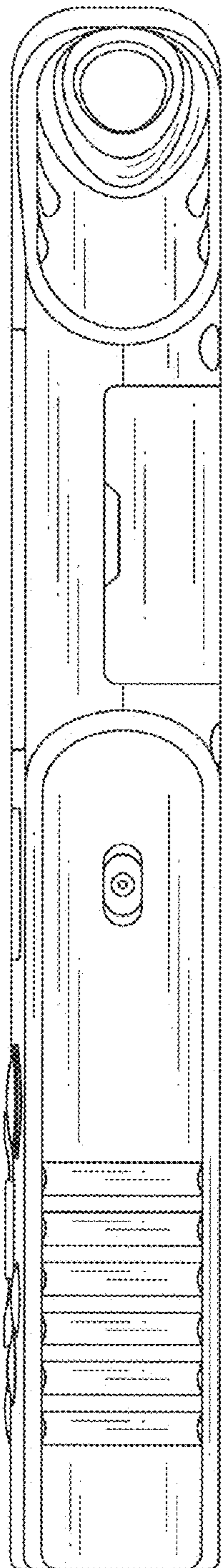


FIG.7

