



US00D647070S

(12) **United States Design Patent**
Huang et al.

(10) **Patent No.:** **US D647,070 S**

(45) **Date of Patent:** **** Oct. 18, 2011**

(54) **LIGHT EMITTING DIODE CARRIER**

(75) Inventors: **Chien-Yu Huang**, Taipei (TW);
Pu-Cheng Yeh, Taipei (TW); **Chen-Chi Tseng**, Taipei (TW); **Zhi-Yuan Liang**, Taipei (TW)

(73) Assignee: **Lite-On Technology Corp.**, Taipei (TW)

(**) Term: **14 Years**

(21) Appl. No.: **29/381,714**

(22) Filed: **Dec. 22, 2010**

(51) **LOC (9) Cl.** **13-03**

(52) **U.S. Cl.** **D13/180**

(58) **Field of Classification Search** D13/180;
257/79, 80, 81, 88, 89, 95, 98, 99, 100, E33.058;
313/483, 498, 500; 362/555, 800
See application file for complete search history.

(56) **References Cited**

U.S. PATENT DOCUMENTS

D578,084 S * 10/2008 Kobayakawa D13/180
D595,674 S * 7/2009 Wang et al. D13/180
D595,675 S * 7/2009 Wang et al. D13/180
D622,680 S * 8/2010 Lin et al. D13/180

D627,310 S * 11/2010 Lin et al. D13/180
D634,284 S * 3/2011 Ko et al. D13/180
D634,286 S * 3/2011 Ko et al. D13/180

* cited by examiner

Primary Examiner — Selina Sikder

(74) *Attorney, Agent, or Firm* — Rosenberg, Klein & Lee

(57) **CLAIM**

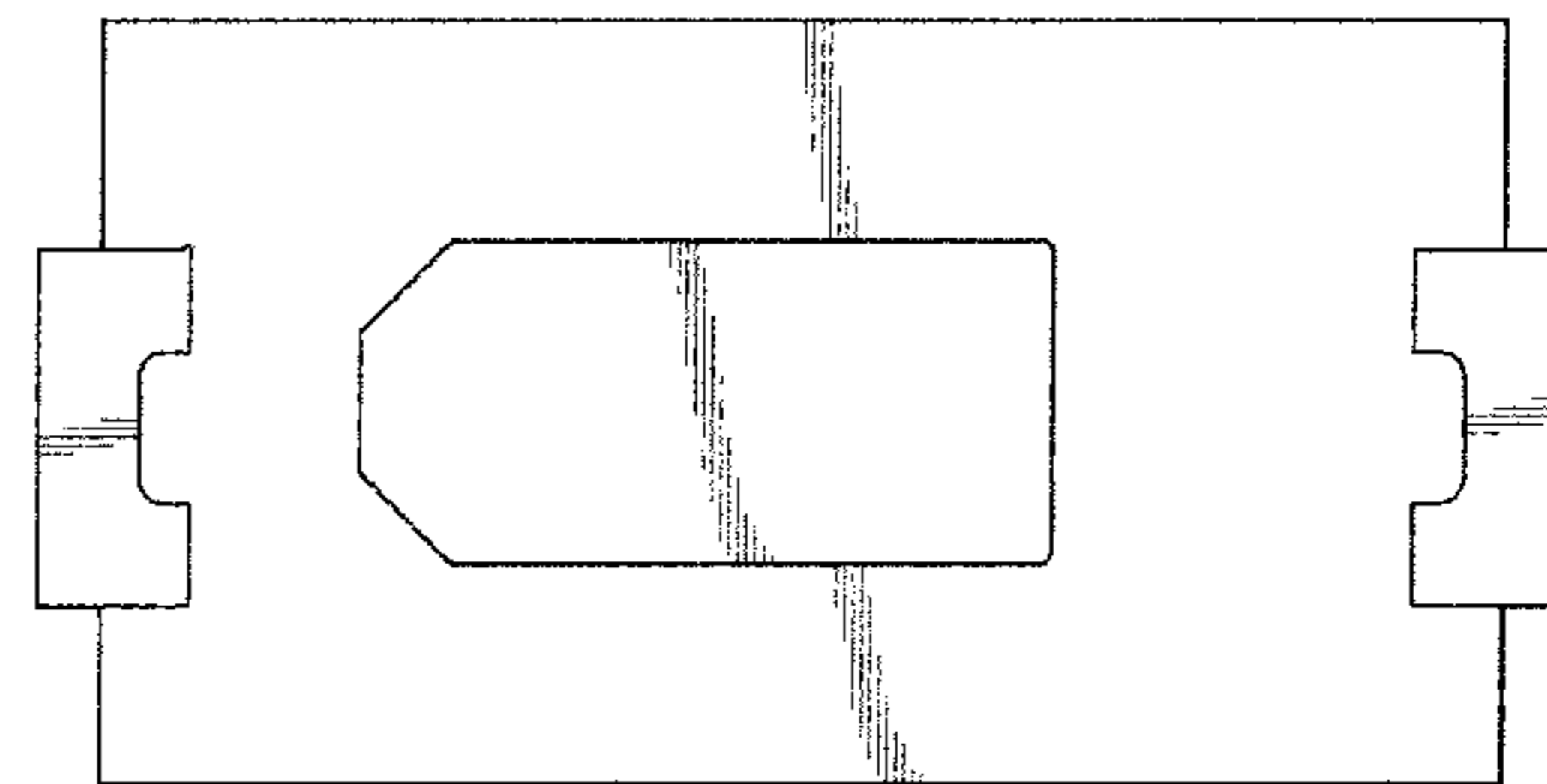
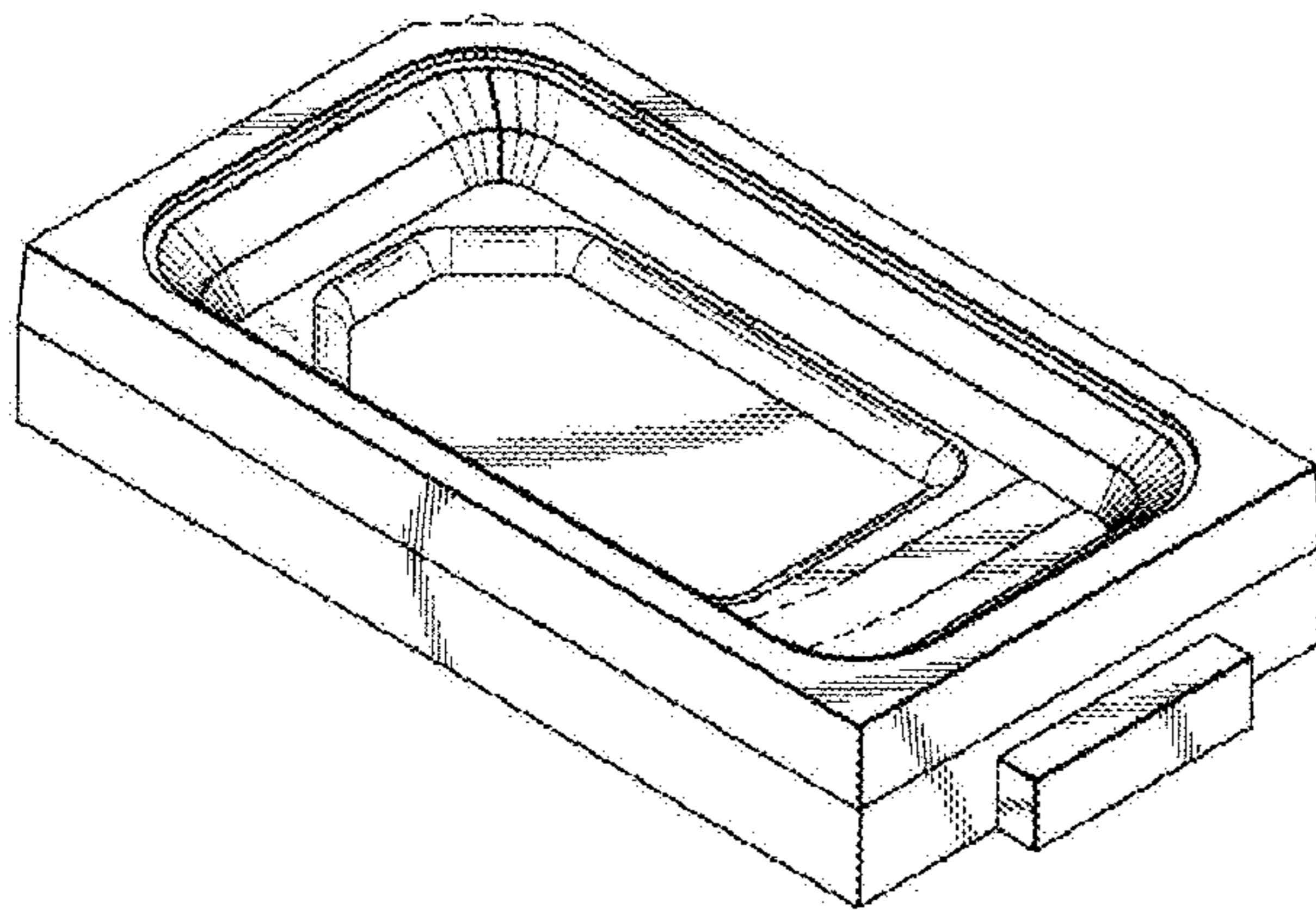
The ornamental design for light emitting diode carrier, as shown and described.

DESCRIPTION

FIG. 1 is a perspective view of light emitting diode carrier showing my new design;
FIG. 2 is a front elevational view thereof;
FIG. 3 is a rear elevational view thereof;
FIG. 4 is a left side elevational view thereof;
FIG. 5 is a right side elevational view thereof;
FIG. 6 is a top plan view thereof;
FIG. 7 is a bottom plan view thereof; and,
FIG. 8 is a sectional view of light emitting diode carrier taken along line V-V in FIG. 6.

The portions shown in dashed lines do not form part of the design.

1 Claim, 5 Drawing Sheets



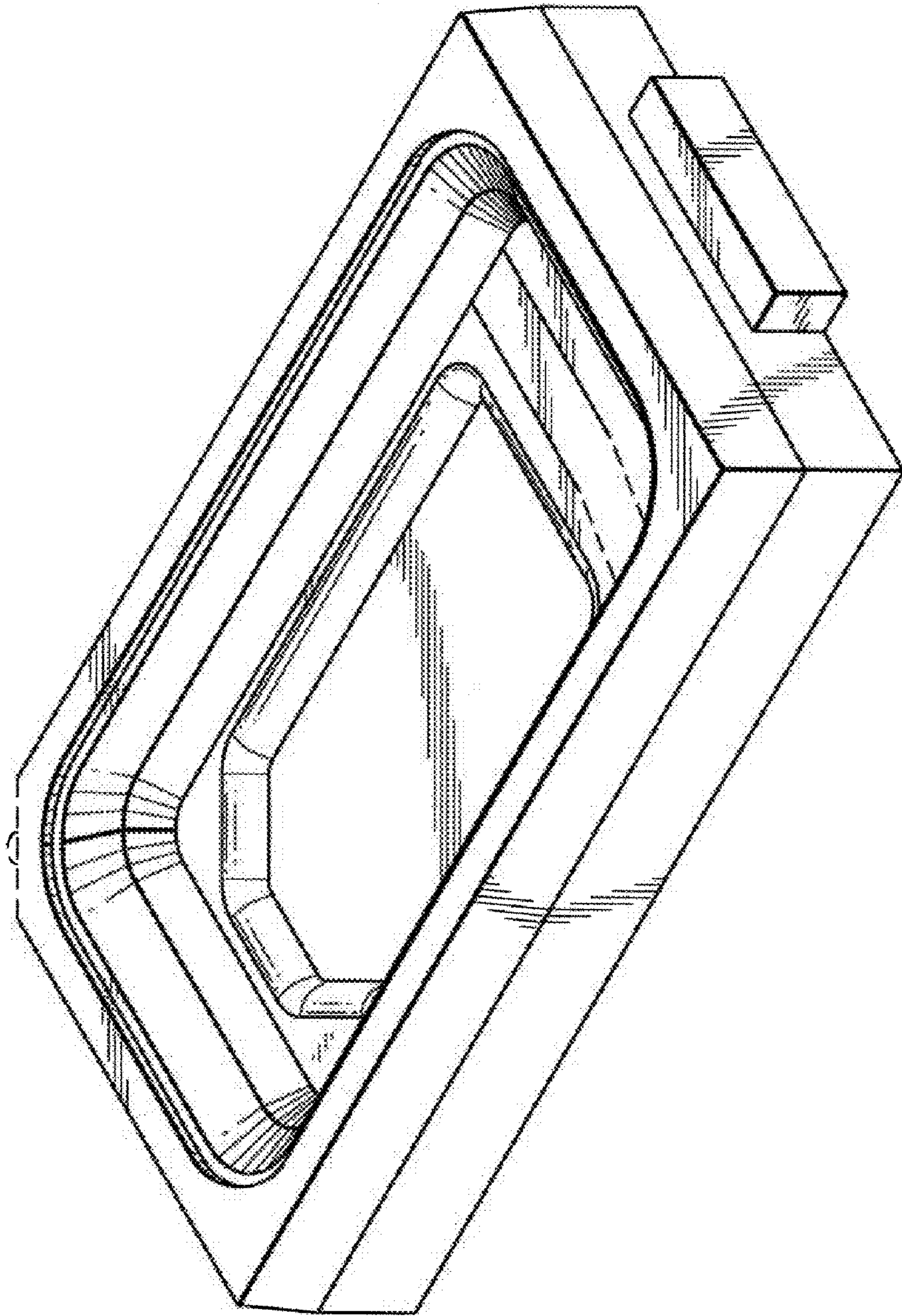


FIG. 1

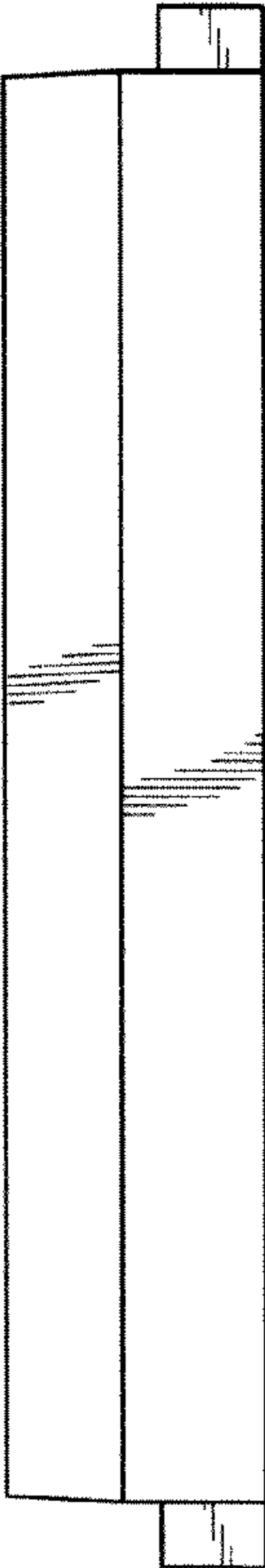


FIG. 2

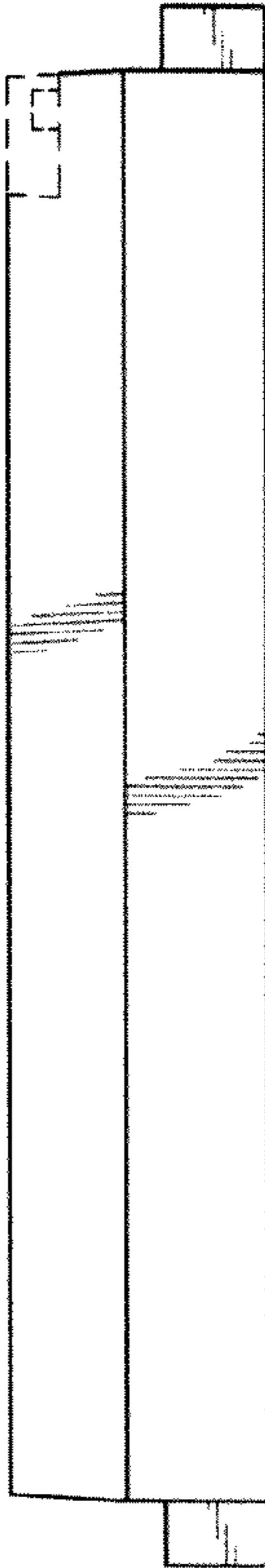


FIG. 3

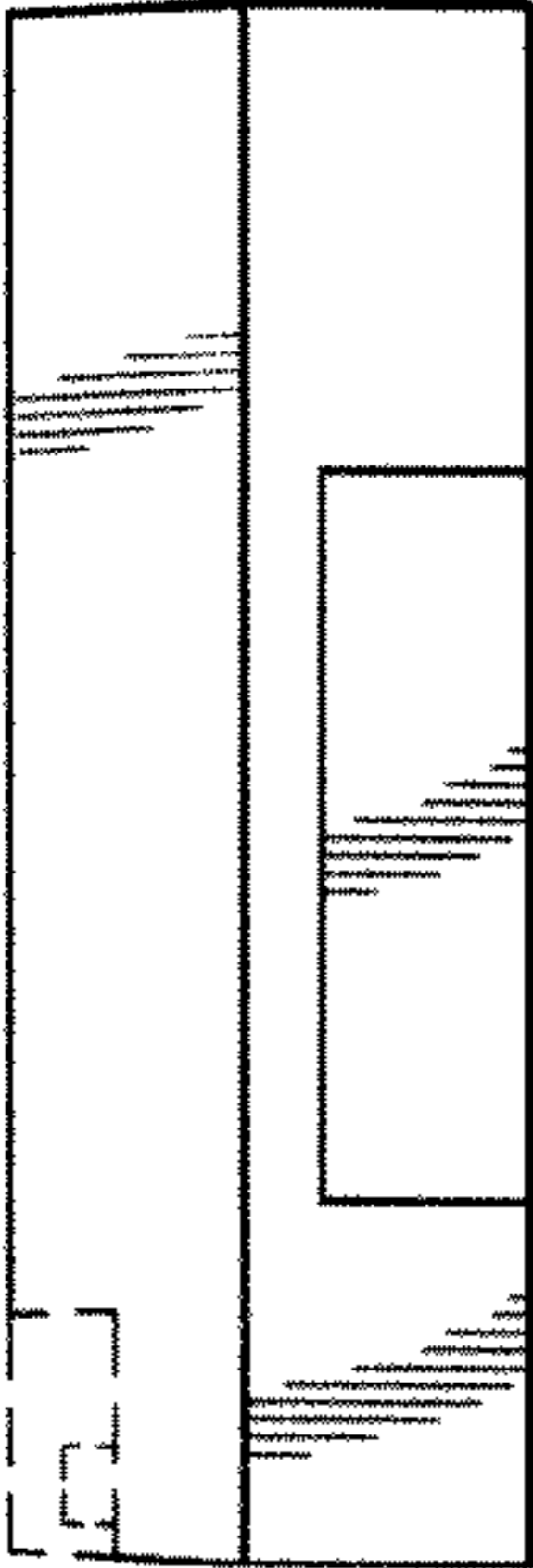


FIG. 4

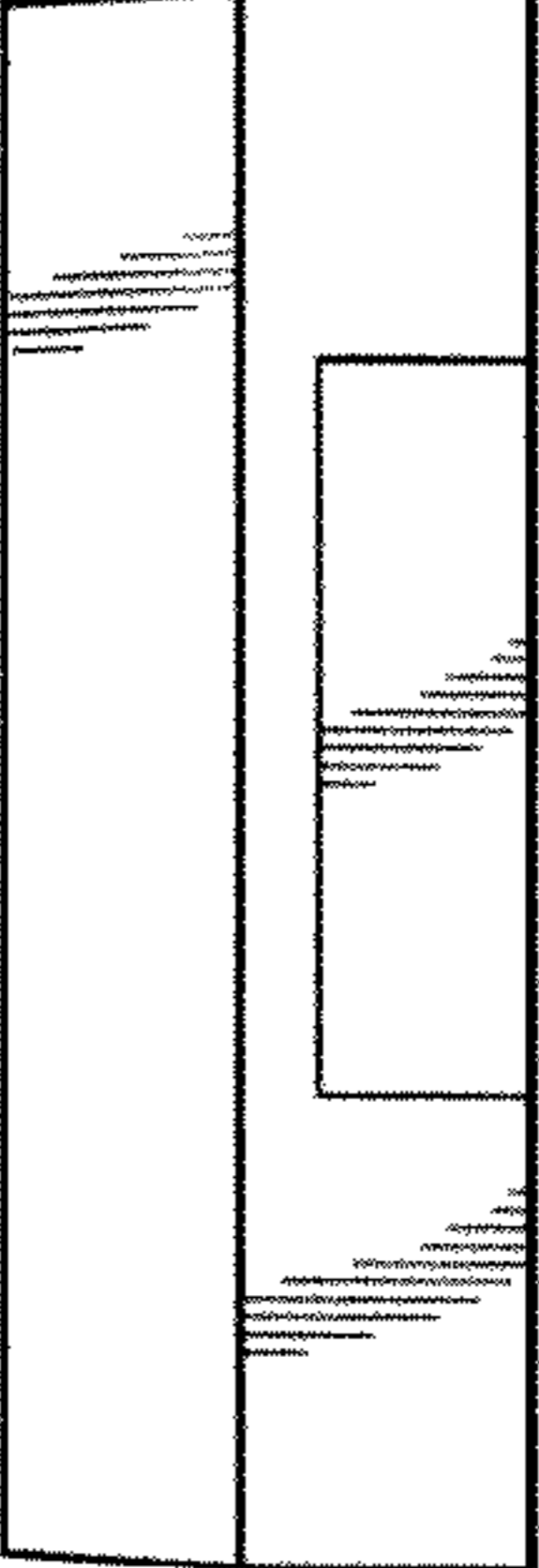


FIG. 5

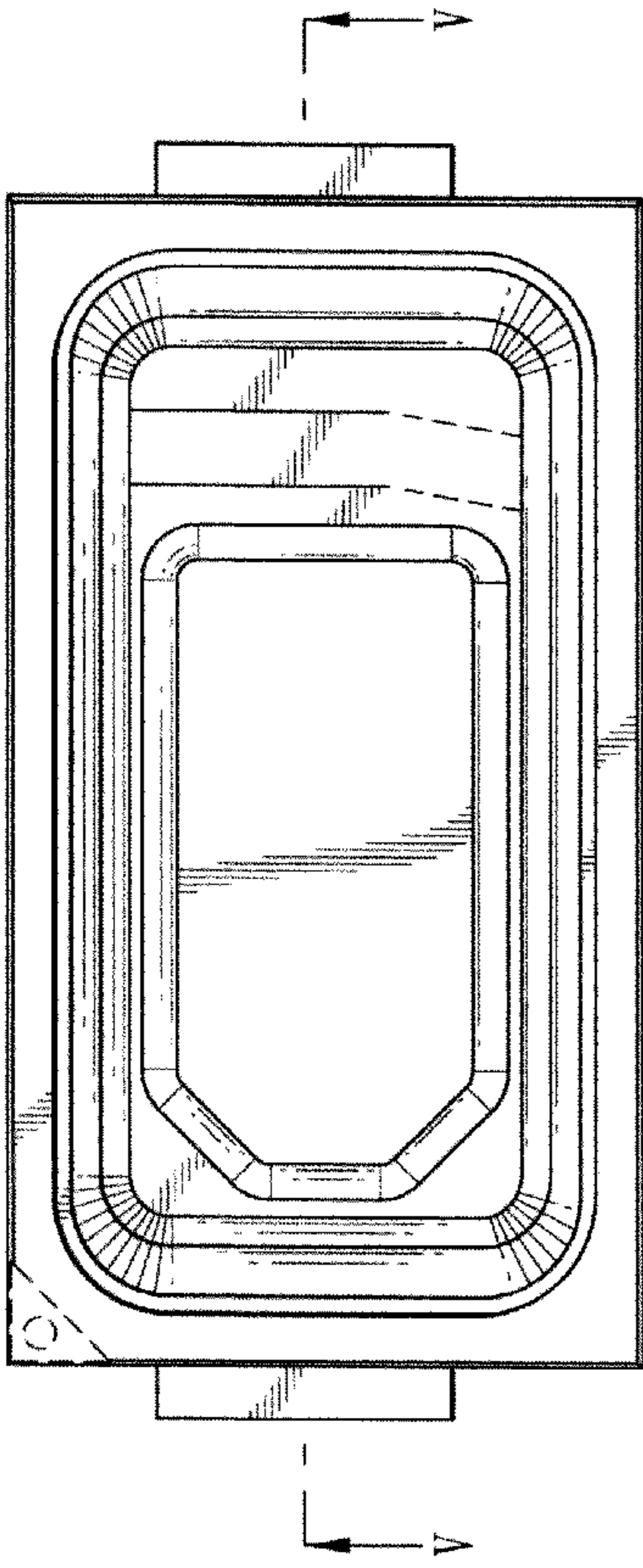


FIG. 6

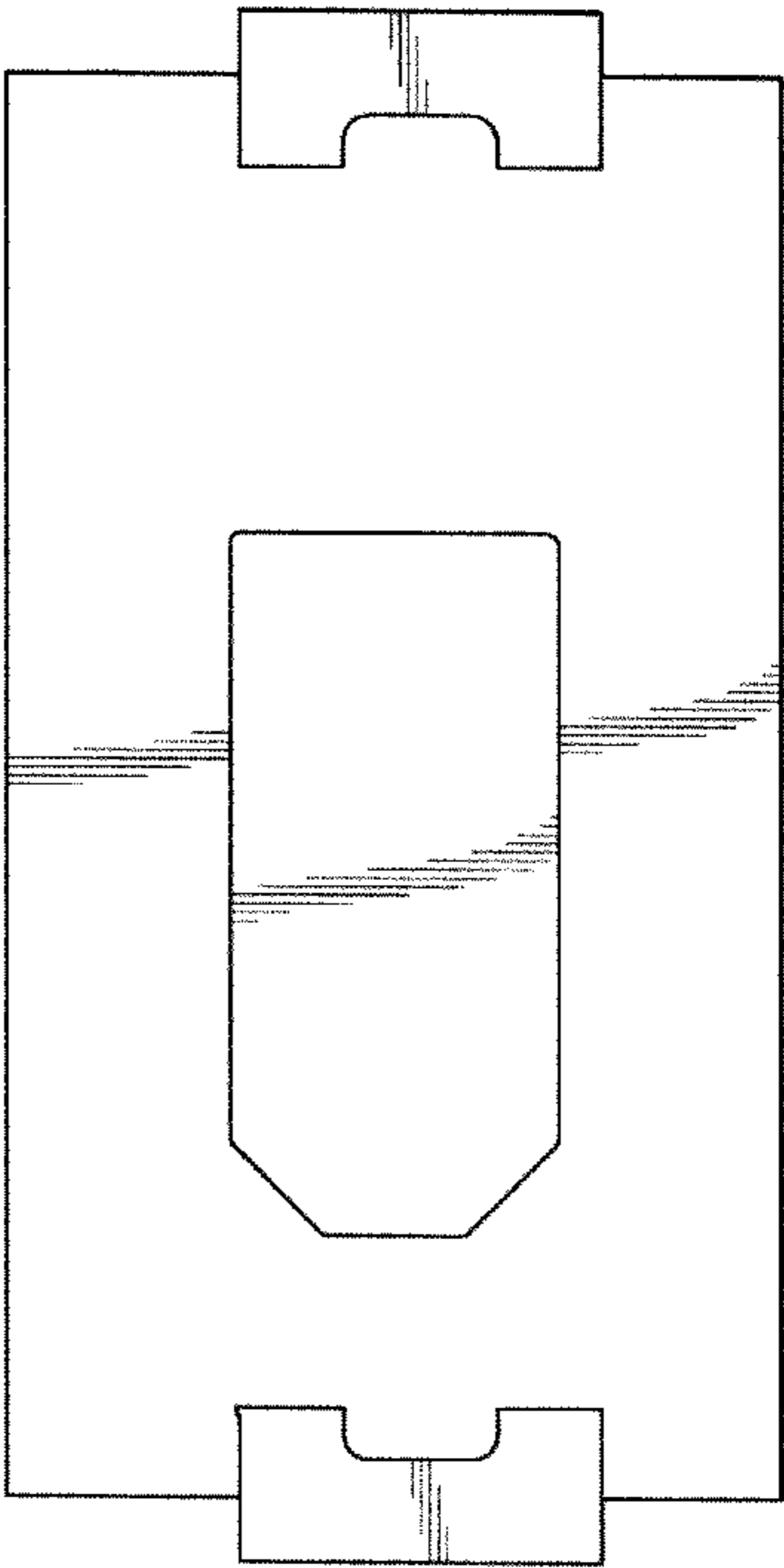
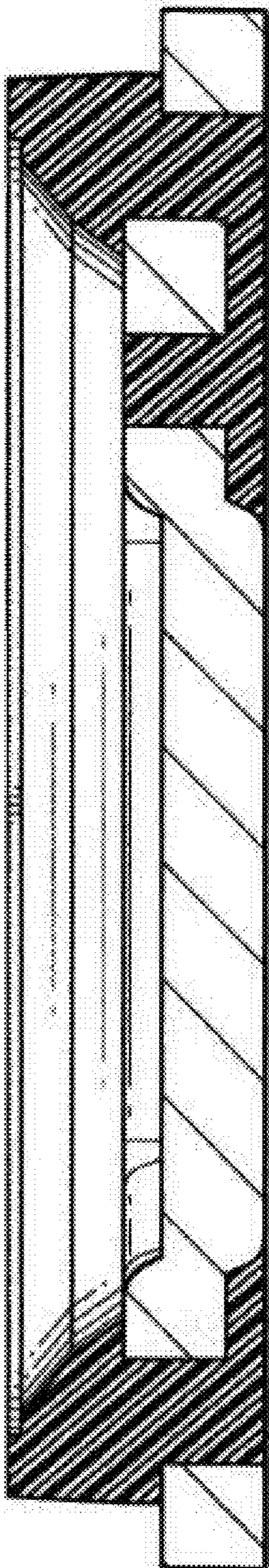


FIG. 7



(V-V)

FIG. 8