



US00D647069S

(12) **United States Design Patent**  
**Takao et al.**

(10) **Patent No.:** **US D647,069 S**  
(45) **Date of Patent:** **\*\* Oct. 18, 2011**

(54) **LIGHT EMITTING DIODE**

(75) Inventors: **Toshimasa Takao**, Tokushima (JP);  
**Tetsuya Yagi**, Anan (JP)

(73) Assignee: **Nichia Corporation**, Anan-shi,  
Tokushima (JP)

(\*\*) Term: **14 Years**

(21) Appl. No.: **29/378,452**

(22) Filed: **Nov. 4, 2010**

(30) **Foreign Application Priority Data**

May 7, 2010 (JP) ..... 2010-011146

(51) **LOC (9) Cl.** ..... **13-03**

(52) **U.S. Cl.** ..... **D13/180**

(58) **Field of Classification Search** ..... D13/180;  
257/79, 80, 81, 88, 89, 95, 98, 99, 100, E33.058,  
257/666, 690, 692; 313/483, 498, 500; 362/555,  
362/800

See application file for complete search history.

(56) **References Cited**

**U.S. PATENT DOCUMENTS**

6,696,749	B1 *	2/2004	Hung et al.	257/669
D494,550	S *	8/2004	Hoshiba	D13/180
D495,304	S *	8/2004	Kim et al.	D13/180
6,815,806	B1 *	11/2004	Awad et al.	257/666
D505,396	S *	5/2005	Hoshiba	D13/180
D528,515	S *	9/2006	Sumitani	D13/180
7,166,905	B1 *	1/2007	Shah	257/666
7,176,612	B2 *	2/2007	Omoto et al.	313/487
D576,573	S *	9/2008	Kobayakawa	D13/180
D576,966	S *	9/2008	Ng et al.	D13/180
7,501,656	B2 *	3/2009	Han et al.	257/79
D597,968	S *	8/2009	Kobayakawa et al.	D13/180
7,586,178	B2 *	9/2009	Manatad	257/666

7,586,180	B2 *	9/2009	Hata et al.	257/678
D606,031	S *	12/2009	Park et al.	D13/180
7,696,526	B2 *	4/2010	Tay et al.	257/99
7,709,857	B2 *	5/2010	Kim et al.	257/100
7,719,024	B2 *	5/2010	Bando	257/99
7,759,775	B2 *	7/2010	Sun et al.	257/666
7,786,555	B2 *	8/2010	Xiaochun	257/675
D627,312	S *	11/2010	Lai et al.	D13/180
7,923,739	B2 *	4/2011	Hussell	257/88
2004/0201987	A1 *	10/2004	Omata	362/230
2005/0127816	A1 *	6/2005	Sumitani	313/498

**FOREIGN PATENT DOCUMENTS**

JP 1346959 12/2008

\* cited by examiner

*Primary Examiner* — Selina Sikder

(74) *Attorney, Agent, or Firm* — Foley & Lardner LLP

(57) **CLAIM**

We claim the ornamental design for a light emitting diode, as shown and described.

**DESCRIPTION**

FIG. 1 is a front view of the light emitting diode according to our new design;

FIG. 2 is a rear view thereof;

FIG. 3 is a top view thereof;

FIG. 4 is a bottom view thereof;

FIG. 5 is a right side view thereof;

FIG. 6 is a left side view thereof;

FIG. 7 is a front, bottom, left side perspective view thereof; and,

FIG. 8 is a rear, top, right side perspective view thereof.

The ornamental design which is claimed is shown in solid lines in the drawings. The broken lines in the drawings are for illustrative purposes only and form no part of the claimed design.

**1 Claim, 3 Drawing Sheets**

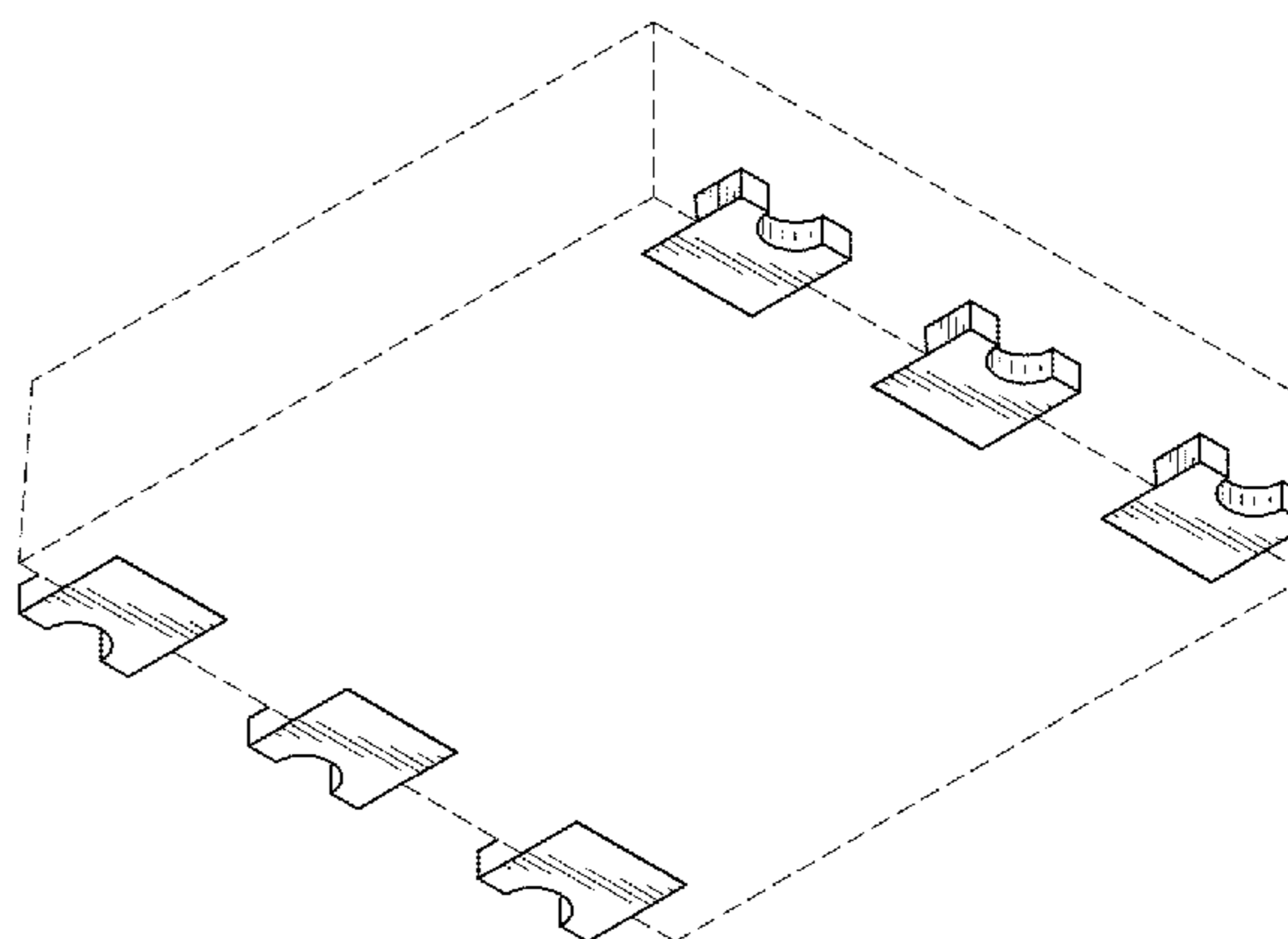
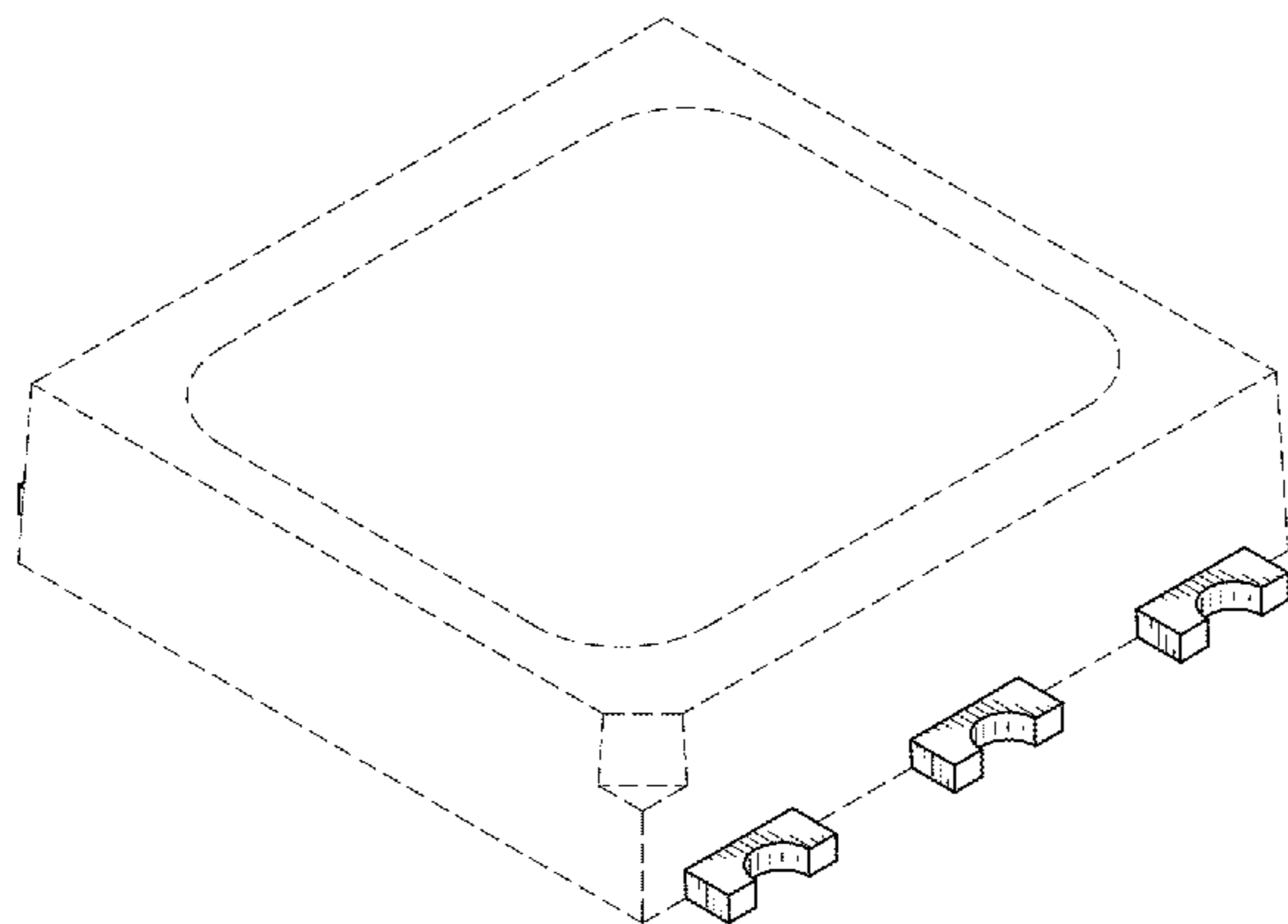


Fig. 1

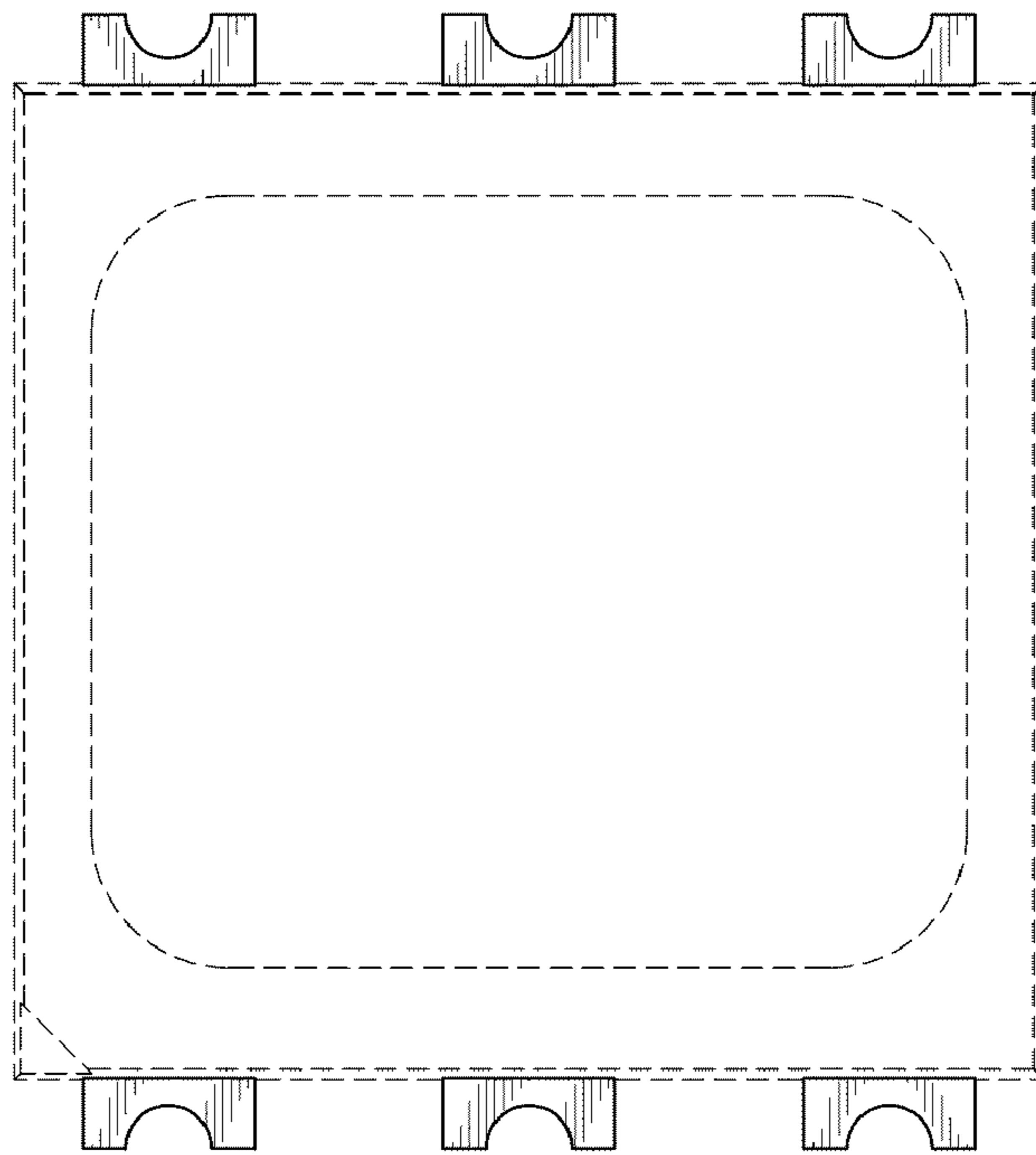


Fig. 2

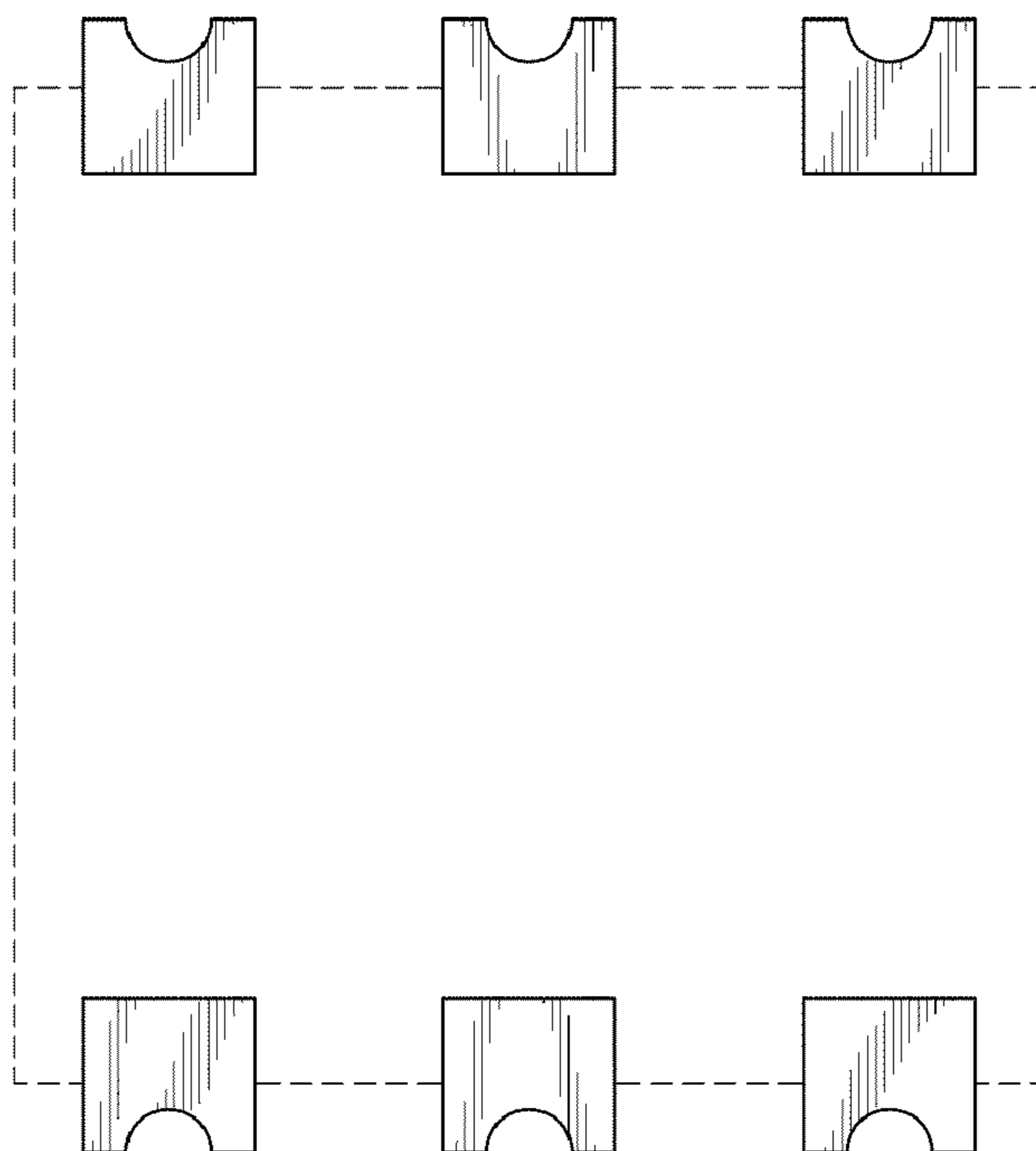


Fig. 3

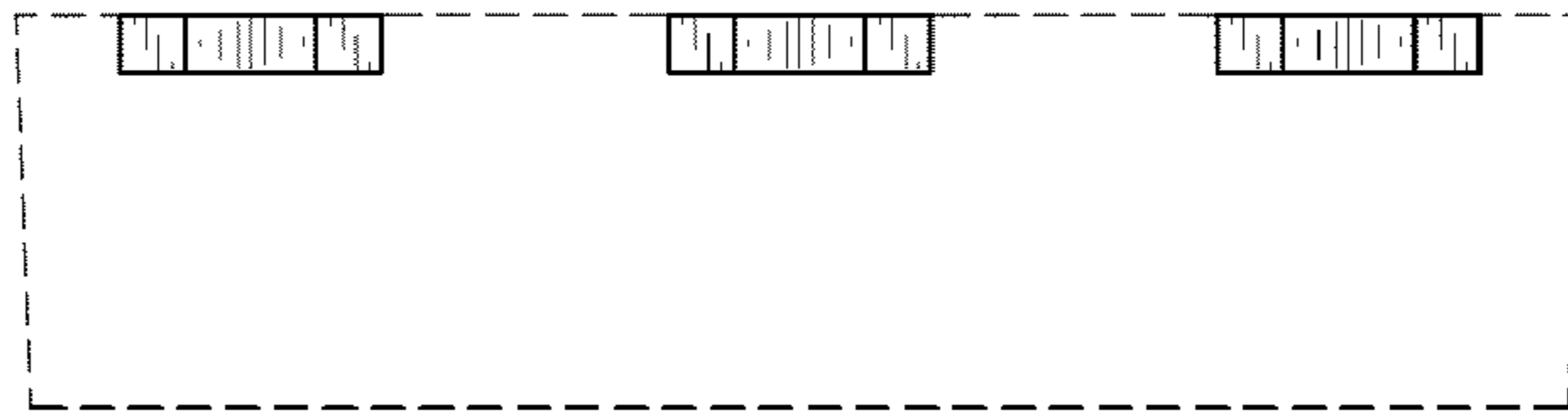


Fig. 4

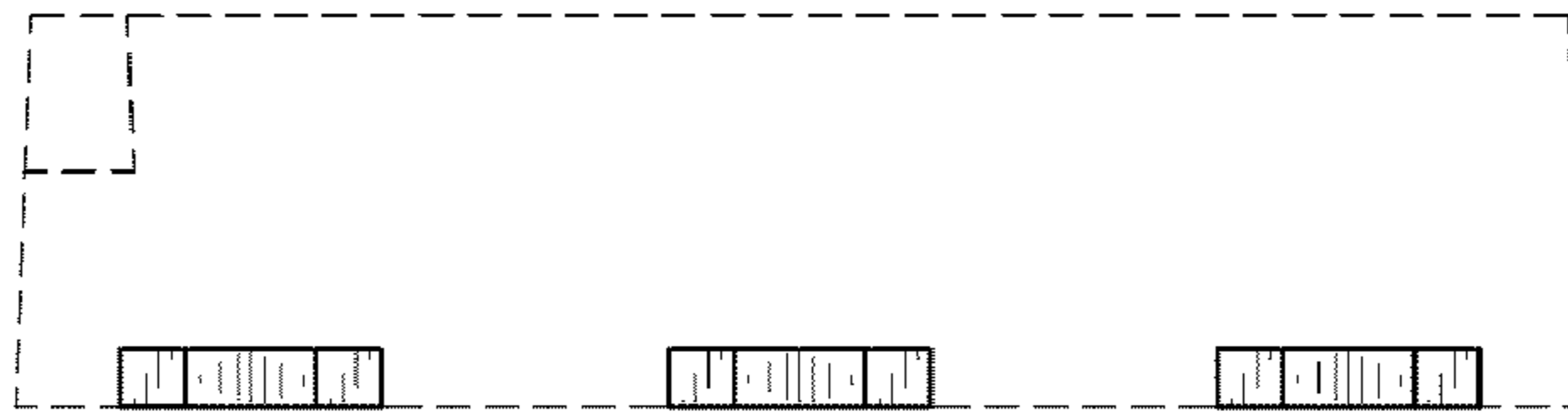


Fig. 5

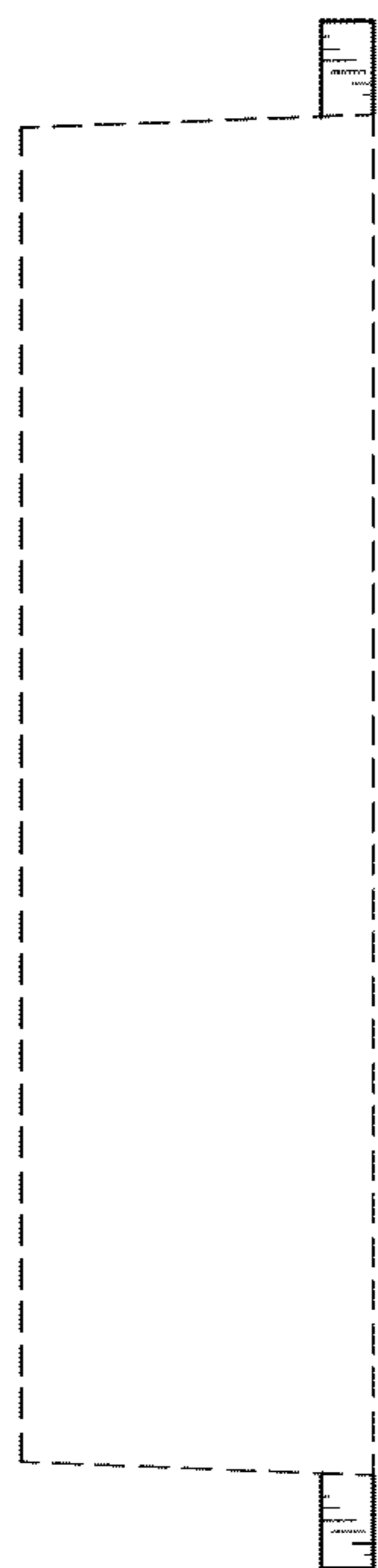


Fig. 6

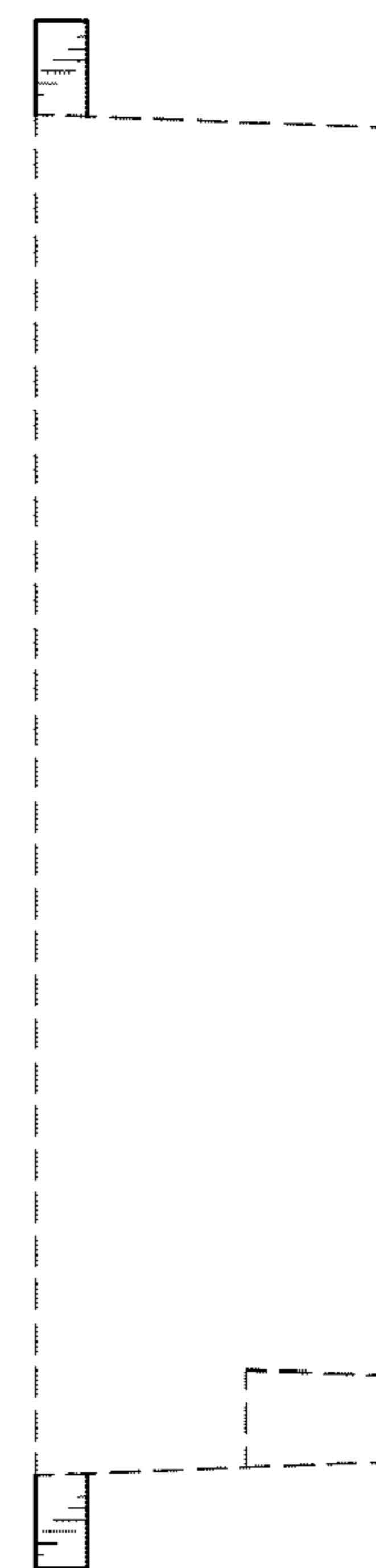


Fig. 7

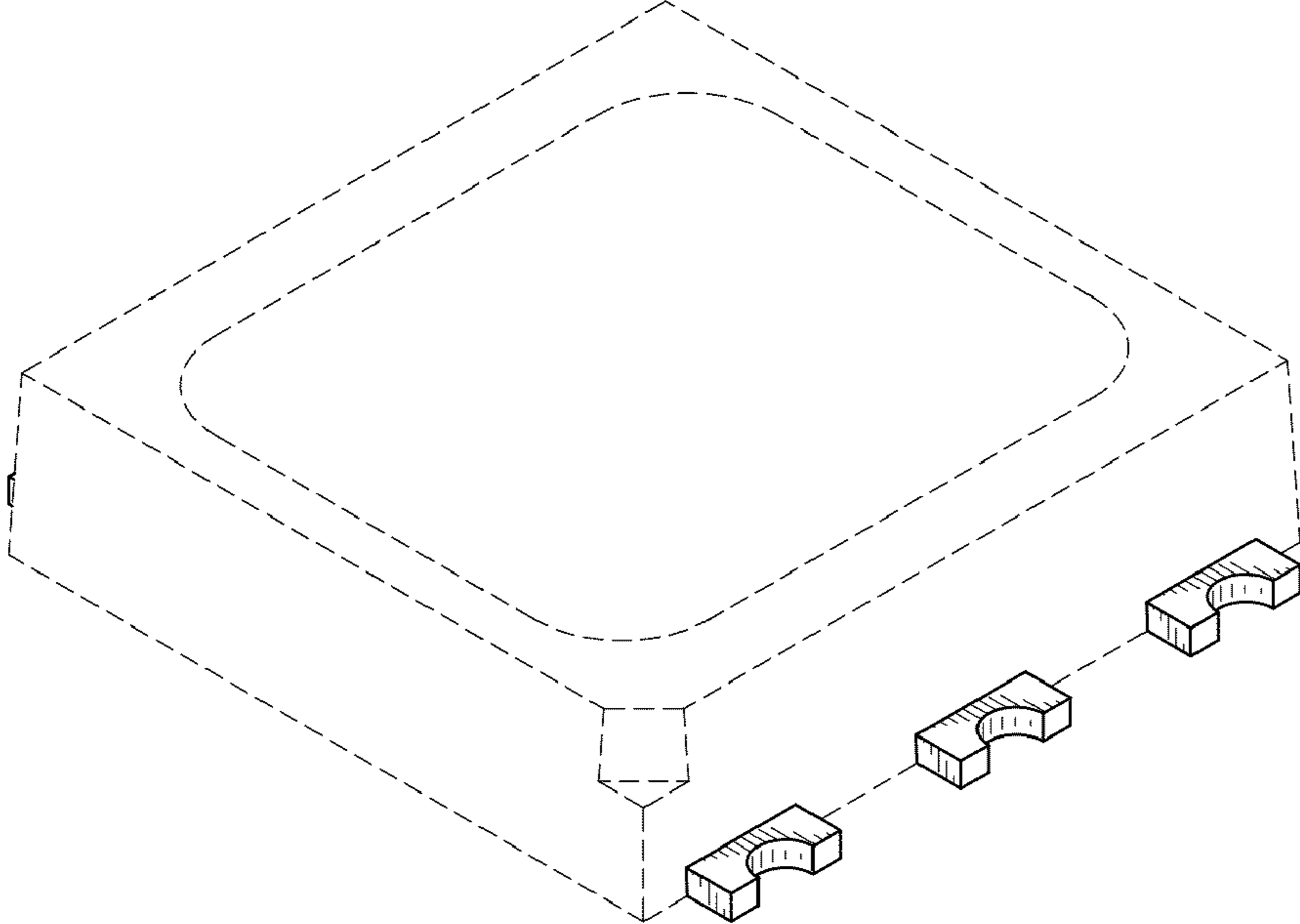


Fig. 8

