



US00D647068S

(12) **United States Design Patent**
Okuwaki

(10) **Patent No.:** **US D647,068 S**

(45) **Date of Patent:** **** Oct. 18, 2011**

(54) **LIGHT-EMITTING DIODE**

(75) Inventor: **Masaki Okuwaki**, Fujiyoshida (JP)

(73) Assignee: **Citizen Electronics Co., Ltd.**,
Yamanashi (JP)

(**) Term: **14 Years**

(21) Appl. No.: **29/364,101**

(22) Filed: **Jun. 18, 2010**

Related U.S. Application Data

(62) Division of application No. 29/327,796, filed on Nov. 13, 2008, now Pat. No. Des. 623,611.

(30) **Foreign Application Priority Data**

May 13, 2008 (JP) 2008-011893
May 13, 2008 (JP) 2008-011894
Oct. 8, 2008 (JP) 2008-025906
Oct. 8, 2008 (JP) 2008-025907

(51) **LOC (9) Cl.** **13-03**

(52) **U.S. Cl.** **D13/180**

(58) **Field of Classification Search** D13/180;
D26/2; 257/79, 80, 81, 88, 89, 95, 98, 99,
257/100, E33.058; 313/483, 498, 500; 362/555,
362/800

See application file for complete search history.

(56) **References Cited**

U.S. PATENT DOCUMENTS

D476,960 S * 7/2003 Fukasawa et al. D13/182
D478,879 S * 8/2003 Imai D13/182

D565,514 S * 4/2008 Cho D13/180
D590,354 S * 4/2009 Tsuchiya et al. D13/180
D623,611 S * 9/2010 Okuwaki D13/180
D628,166 S * 11/2010 Okuwaki D13/180
2002/0149314 A1* 10/2002 Takahashi et al. 313/500
2006/0284207 A1* 12/2006 Park et al. 257/99

OTHER PUBLICATIONS

2003 Citizen Electronics Products, Citizens Electronics Co., LTD., pp. 1-4.

* cited by examiner

Primary Examiner — Selina Sikder

(74) *Attorney, Agent, or Firm* — Browdy and Neimark, PLLC

(57) **CLAIM**

The ornamental design for a light-emitting diode, as shown and described here.

DESCRIPTION

FIG. 1 is a perspective view of one embodiment of the light-emitting diode in accordance with my new design, showing an upper surface and side surfaces thereof as viewed from diagonally above;

FIG. 2 is a perspective view thereof, showing a bottom surface and side surfaces thereof as viewed from diagonally above;

FIG. 3 is a front elevation view thereof;

FIG. 4 is a rear elevation view thereof;

FIG. 5 is a top plan view thereof;

FIG. 6 is a bottom plan view thereof; and,

FIG. 7 is a left side elevation view thereof, (a right side view being a mirror image thereof).

1 Claim, 3 Drawing Sheets

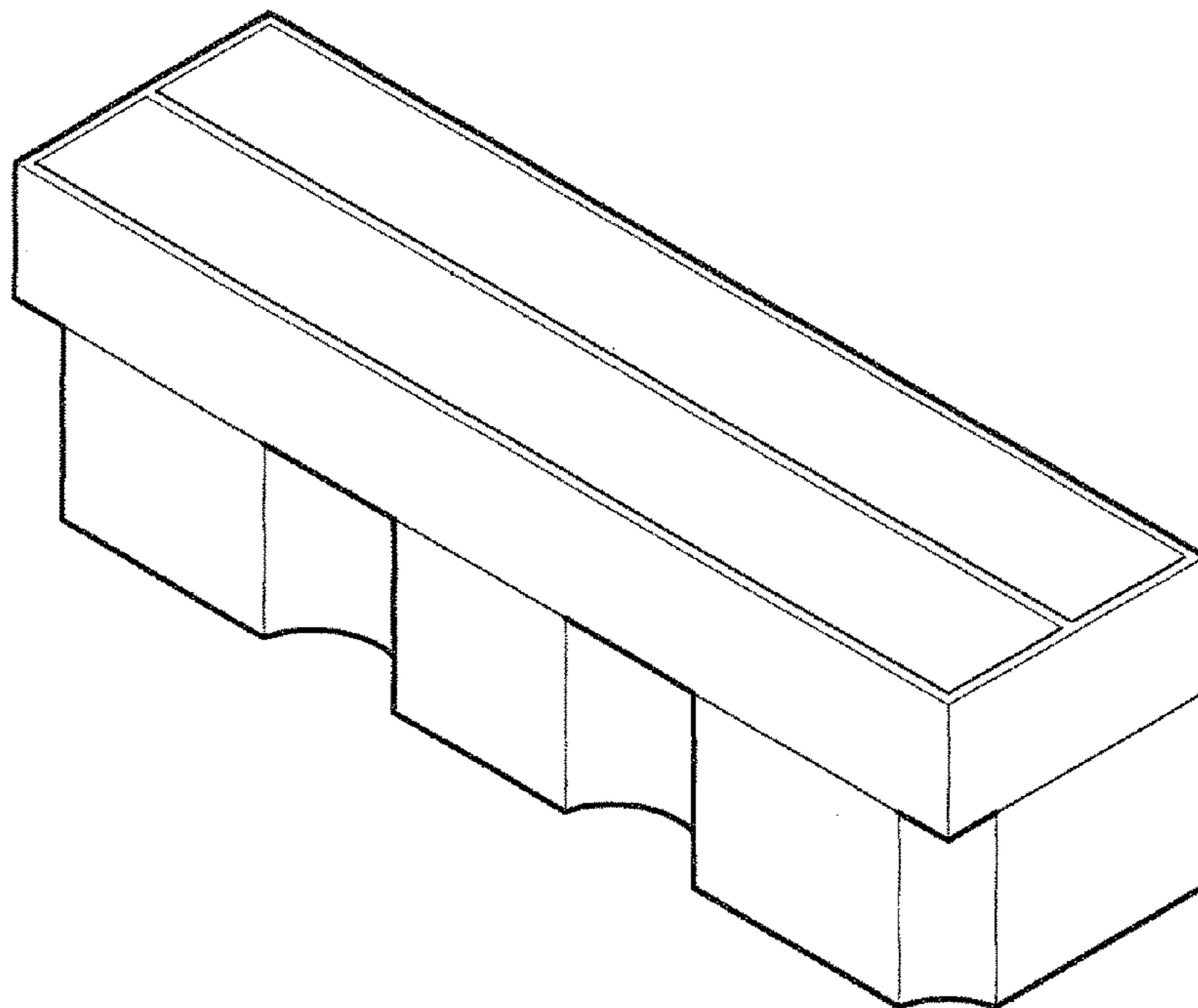


Fig. 1

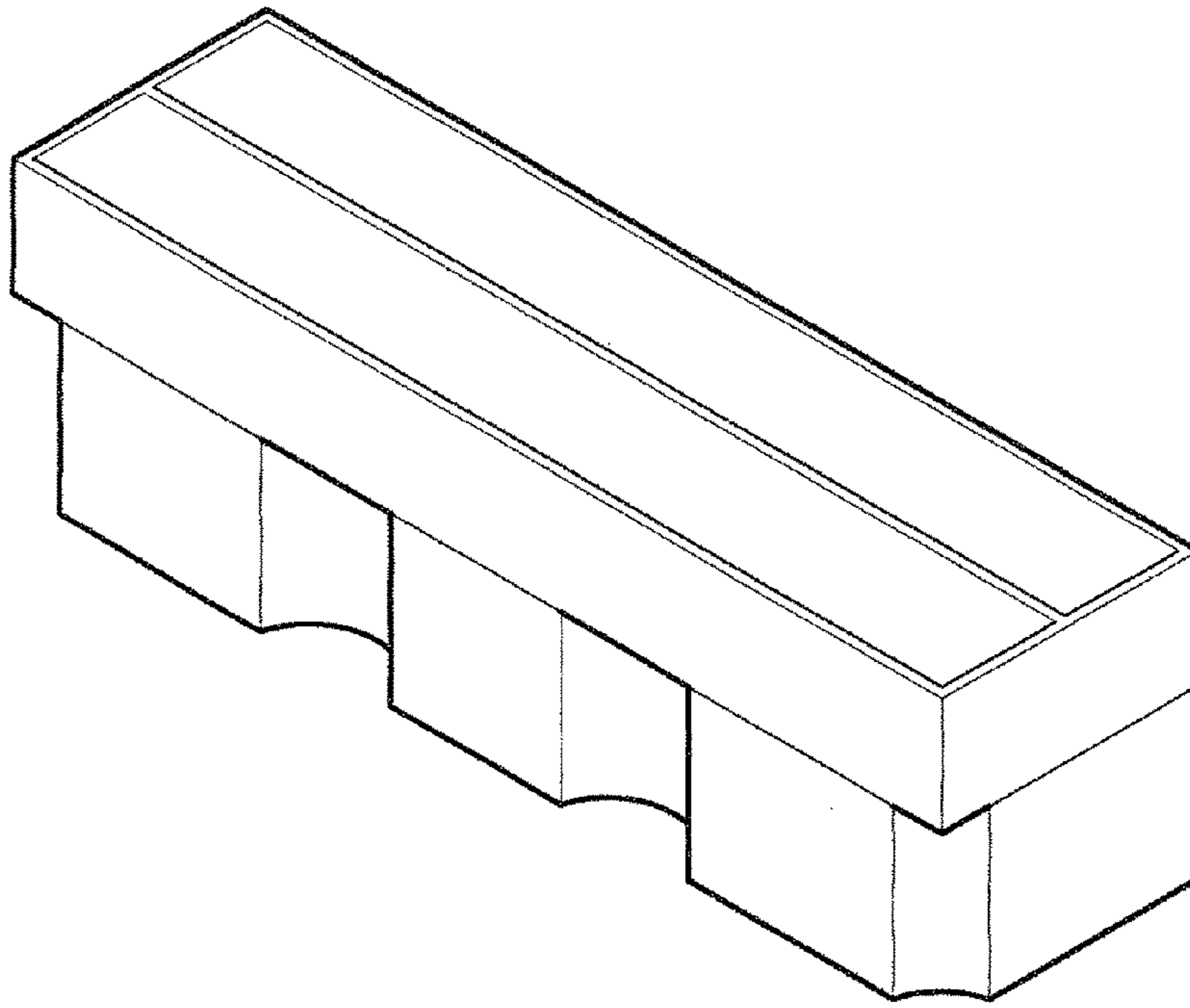


Fig. 2

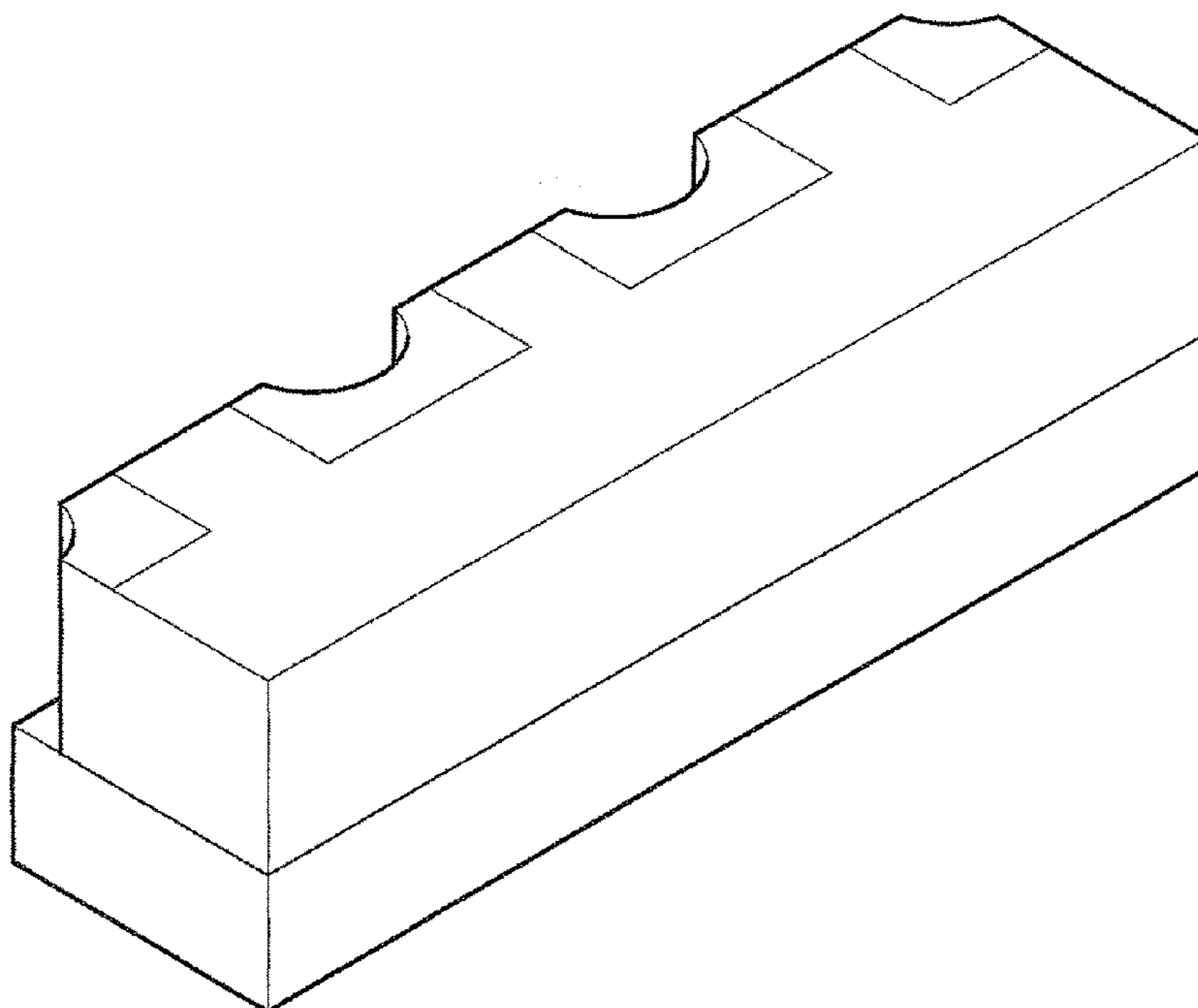


Fig. 3

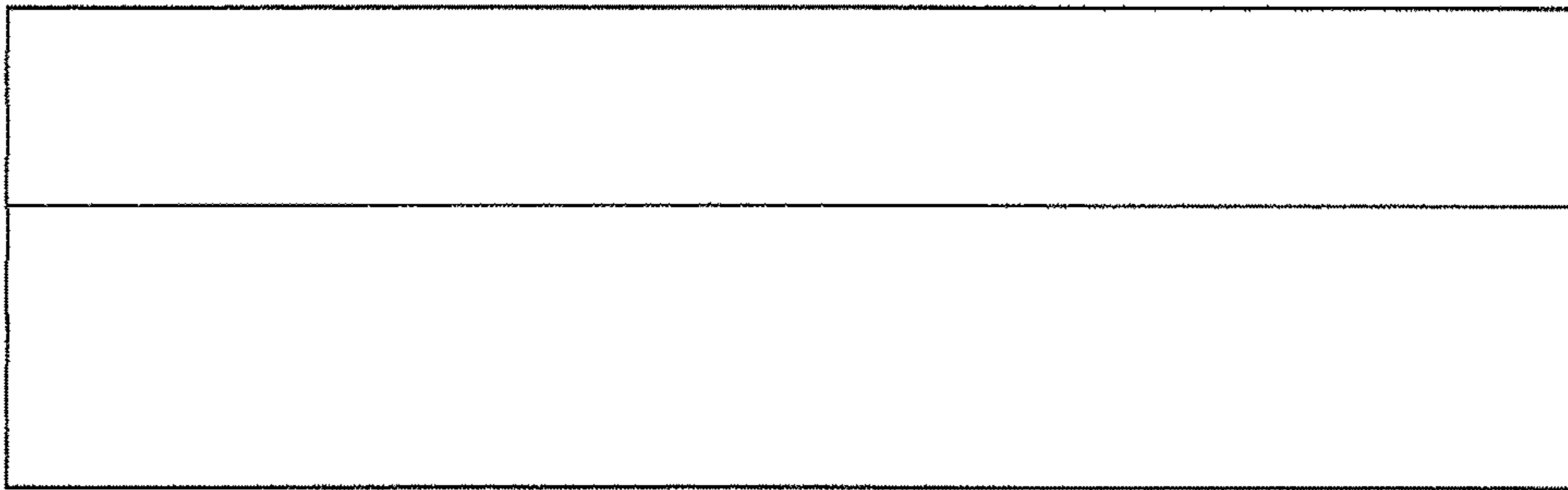


Fig. 4

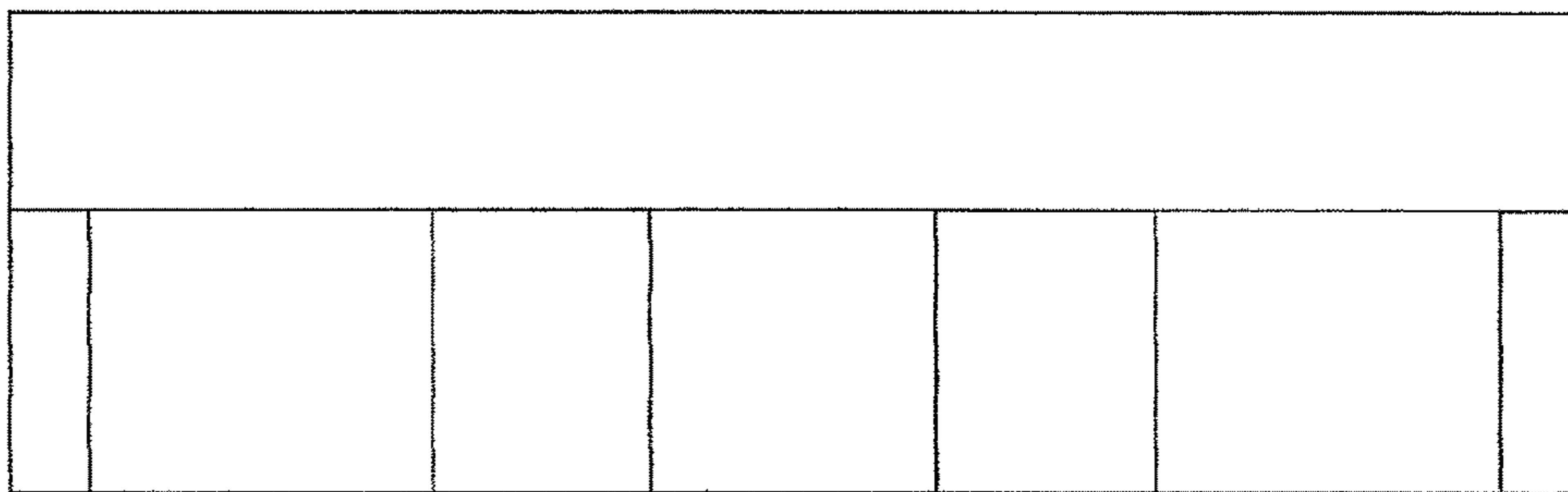


Fig. 5

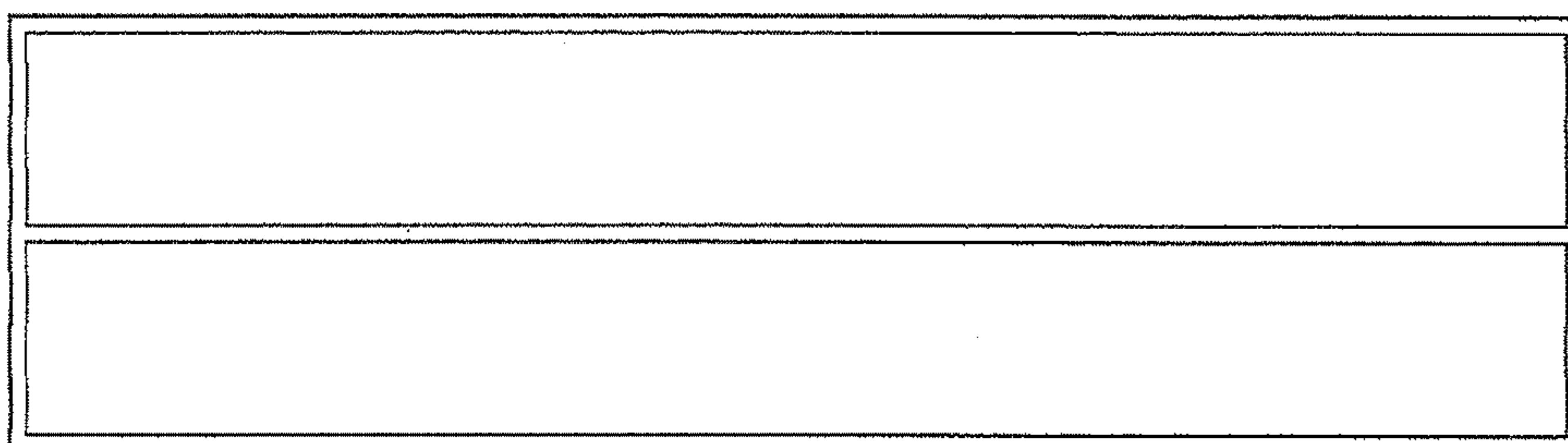


Fig. 6

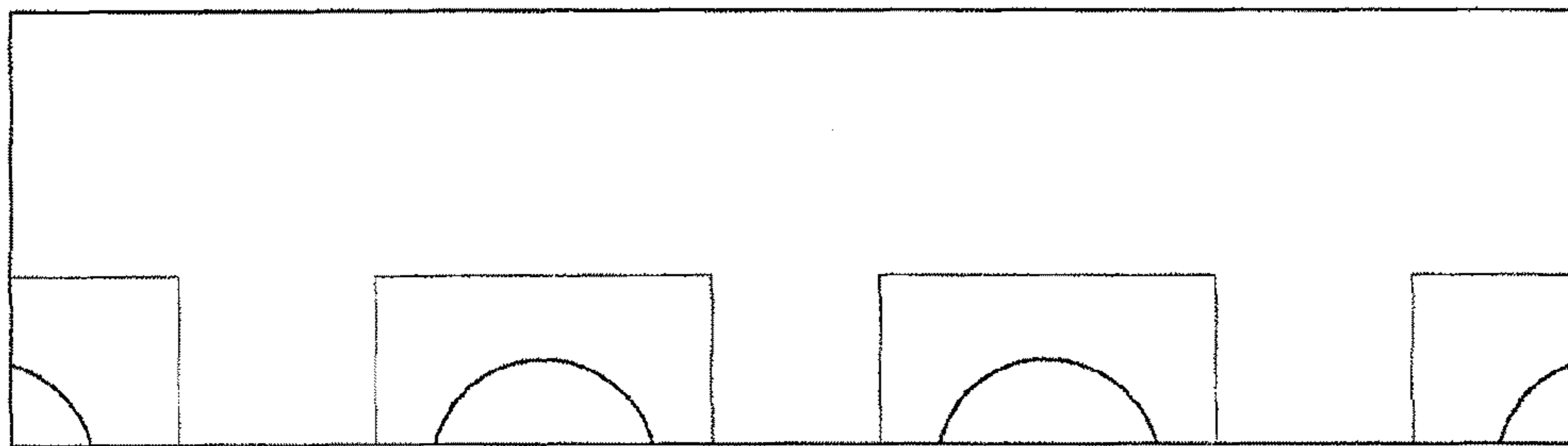


Fig. 7

