



US00D647061S

(12) **United States Design Patent**  
**Guo**

(10) **Patent No.:** **US D647,061 S**  
(45) **Date of Patent:** **\*\* Oct. 18, 2011**

(54) **EXTERIOR SURFACE OF AN ELECTRICAL SOCKET BOOT**

(75) Inventor: **Zhimin Guo**, Cerritos, CA (US)

(73) Assignee: **R.A. Phillips Industries, Inc.**, Santa Fe Springs, CA (US)

(\*\*) Term: **14 Years**

(21) Appl. No.: **29/382,864**

(22) Filed: **Jan. 7, 2011**

(51) **LOC (9) Cl.** ..... **13-03**

(52) **U.S. Cl.** ..... **D13/156; D13/154**

(58) **Field of Classification Search** ..... D13/133,  
D13/146-147, 154, 156, 184, 199; 439/271,  
439/275, 277, 278, 279, 281, 283, 445, 447,  
439/578, 583, 584, 927

See application file for complete search history.

(56) **References Cited**

**U.S. PATENT DOCUMENTS**

D152,275 S *	1/1949	Ludwig	.....	D13/146
D328,279 S *	7/1992	Couto et al.	.....	D13/133
D358,129 S *	5/1995	Mizobe	.....	D13/154
D407,378 S *	3/1999	Lee	.....	D13/156
D411,508 S *	6/1999	Spillyards	.....	D13/118

6,007,378 A *	12/1999	Oeth	.....	439/588
7,086,897 B2 *	8/2006	Montena	.....	439/578
D575,744 S *	8/2008	Amidon	.....	D13/156
7,727,011 B2 *	6/2010	Montena et al.	.....	439/578
2006/0240709 A1 *	10/2006	Montena et al.	.....	439/578

\* cited by examiner

*Primary Examiner* — Daniel Bui

(74) *Attorney, Agent, or Firm* — Christie, Parker & Hale, LLP

(57) **CLAIM**

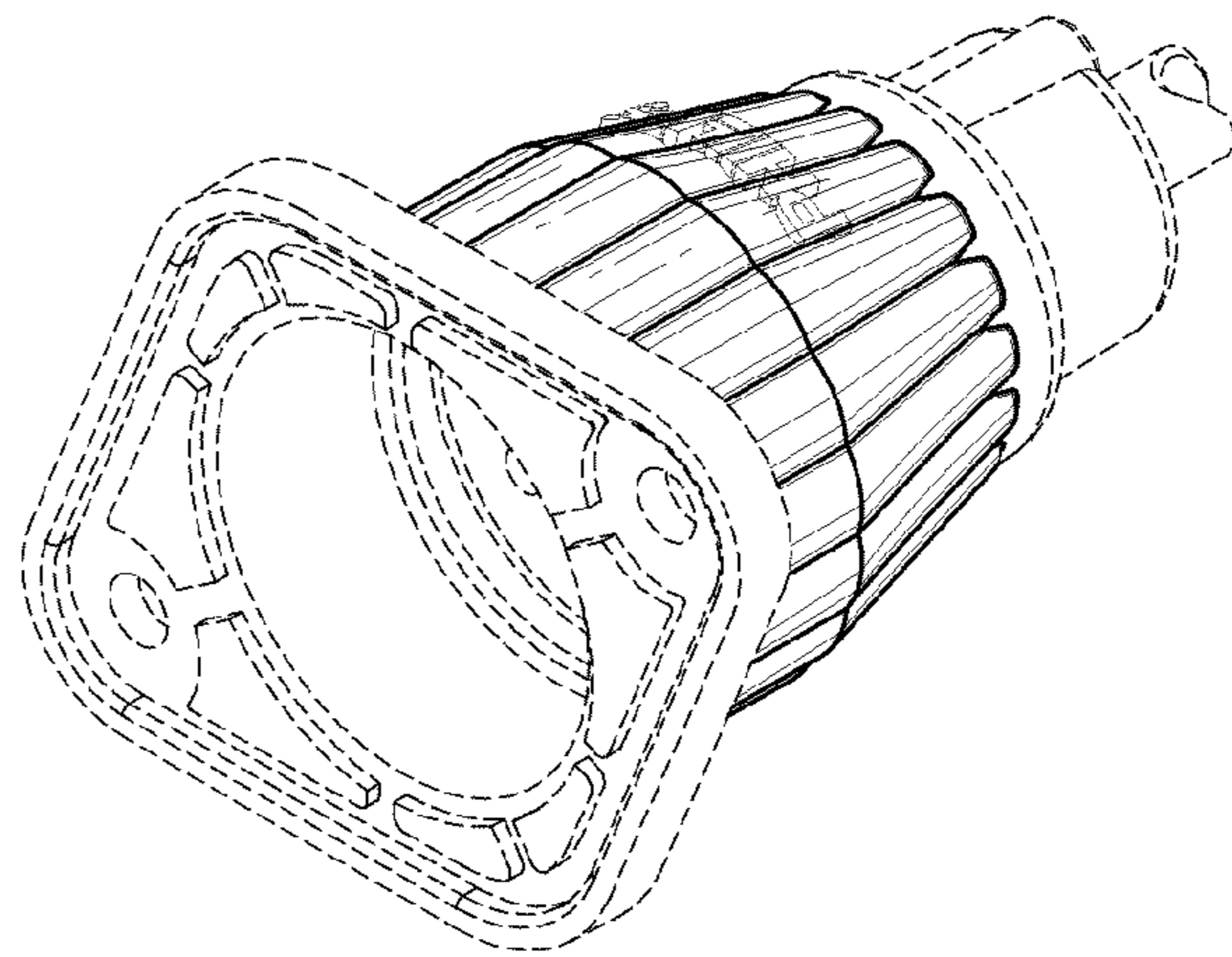
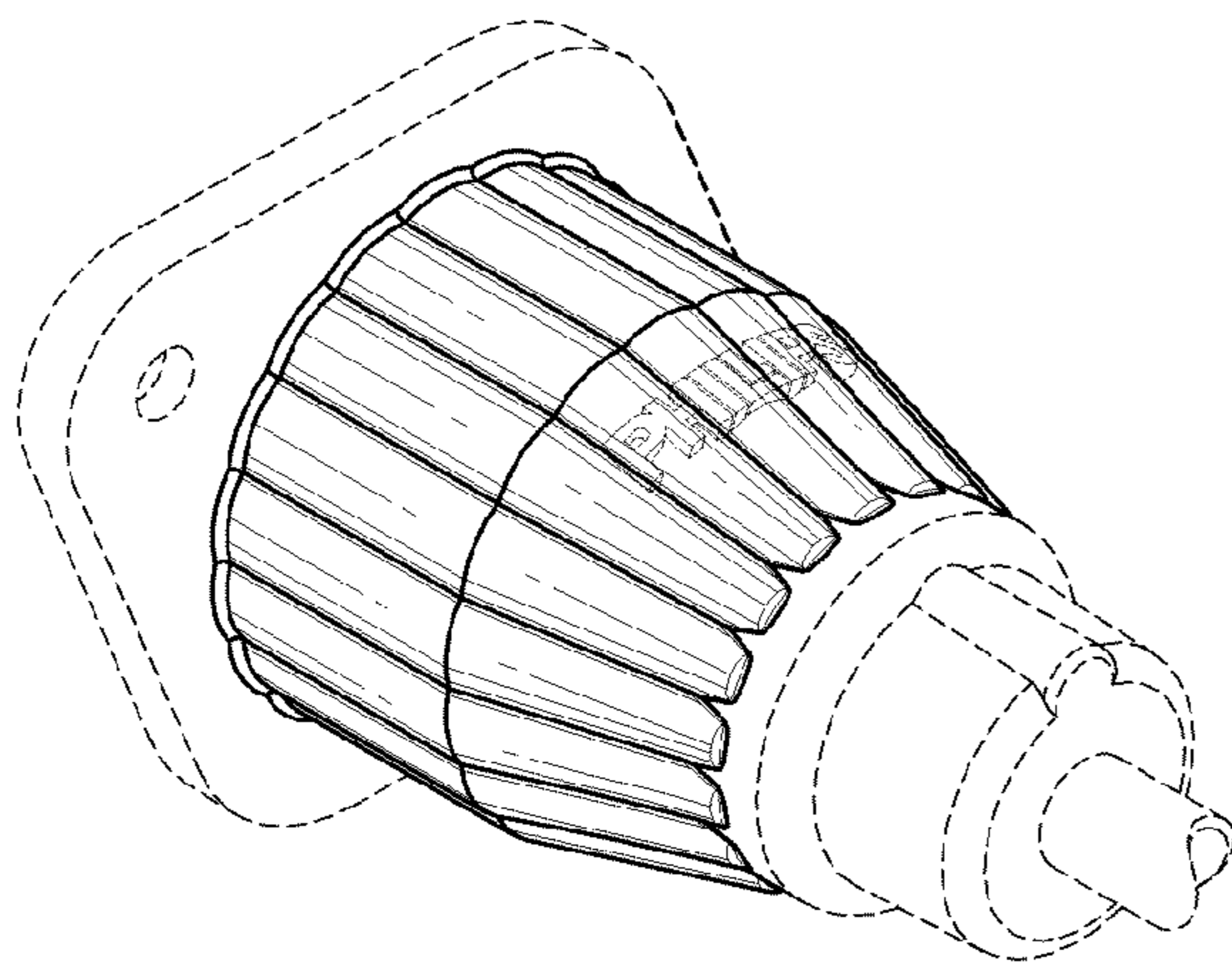
The ornamental design for an exterior surface of an electrical socket boot, as shown and described.

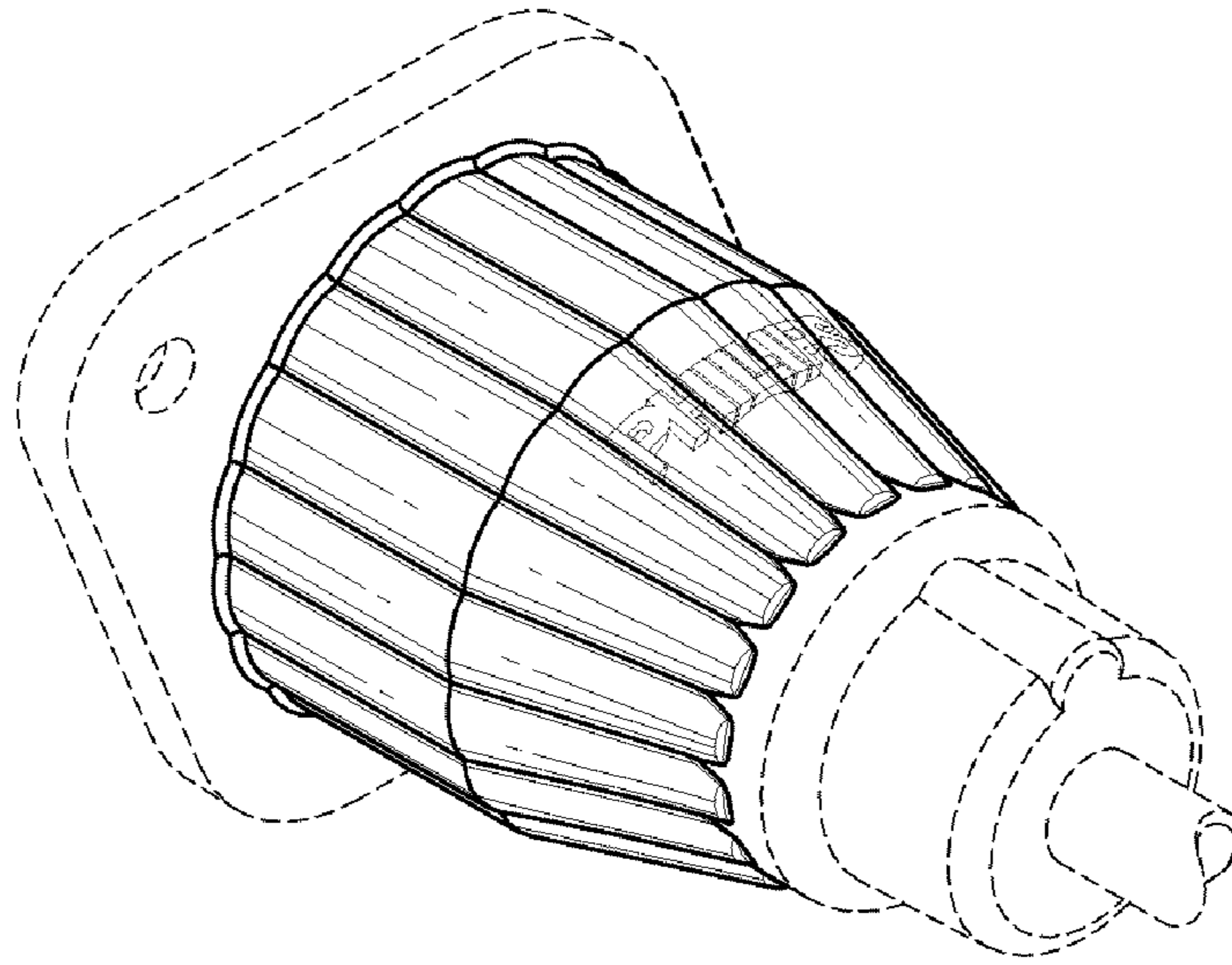
**DESCRIPTION**

FIG. 1 is a rear perspective view of an exterior surface of an electrical socket boot showing my new design; FIG. 2 is a front perspective view thereof; FIG. 3 is a right elevational view thereof; FIG. 4 is a left elevational view thereof; FIG. 5 is a bottom plan view thereof; FIG. 6 is a rear elevational view thereof; and, FIG. 7 is a top plan view thereof.

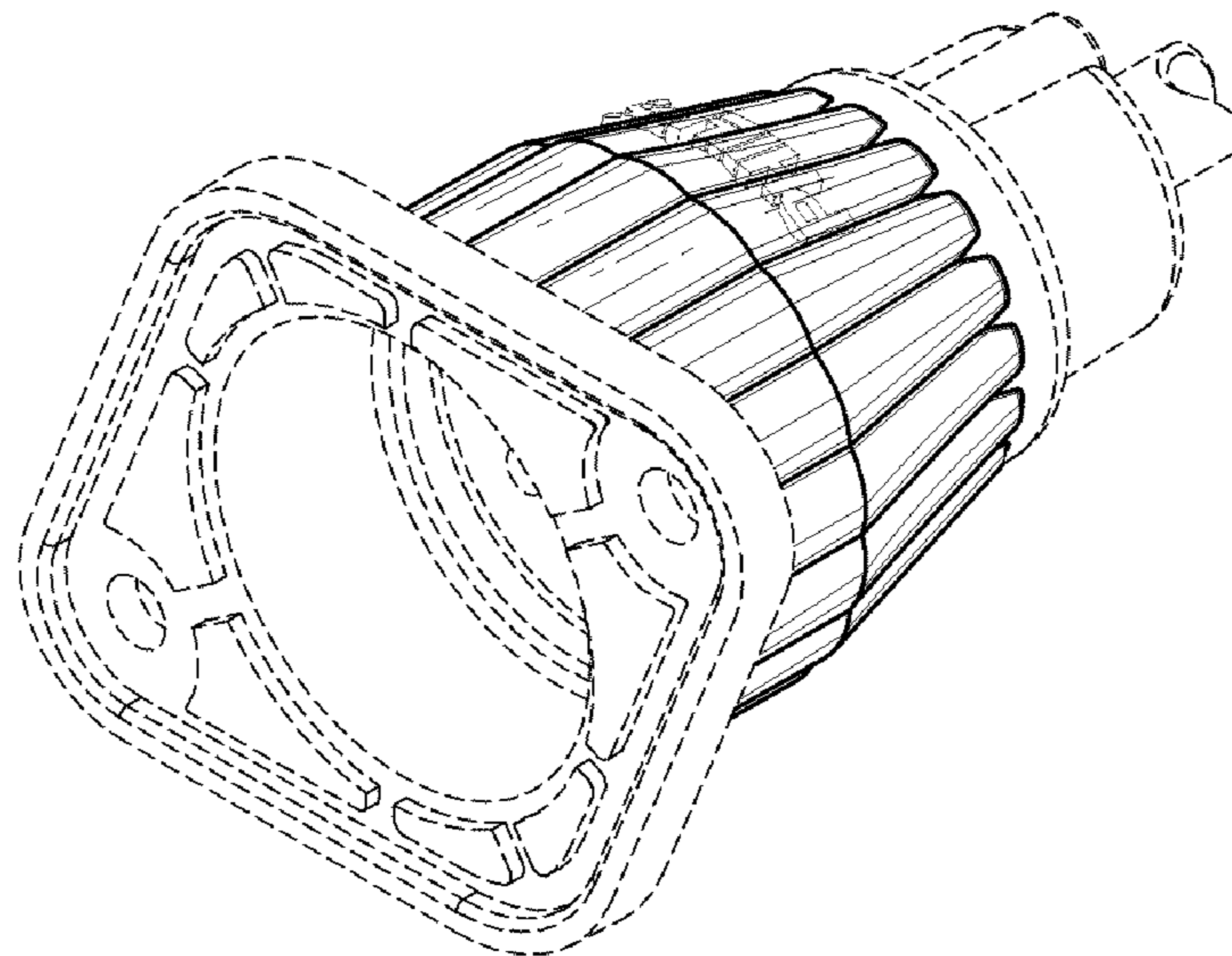
The even-broken line in the figure drawings is included for the purpose of illustrating environment and forms no part of the claimed design.

**1 Claim, 3 Drawing Sheets**

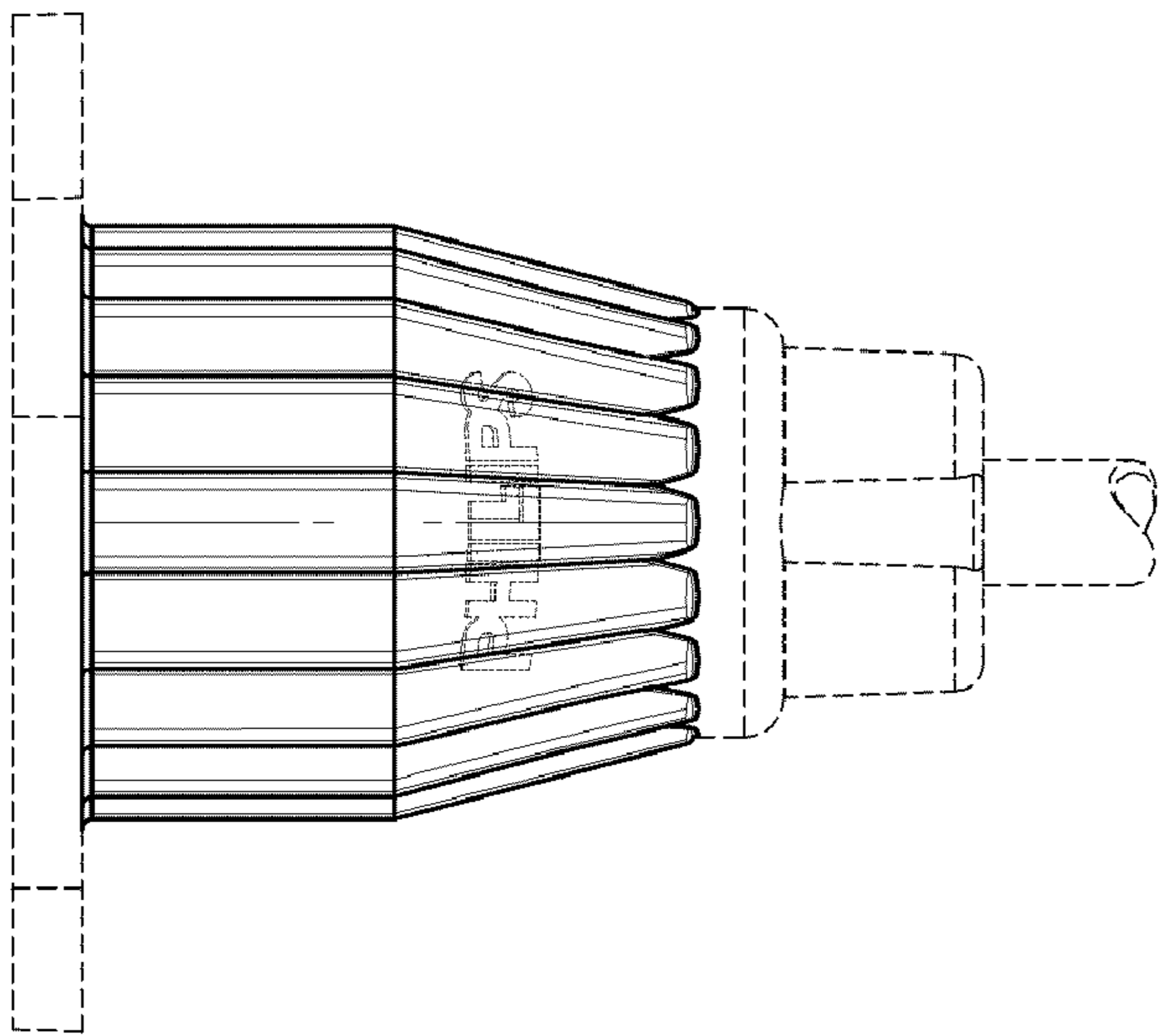




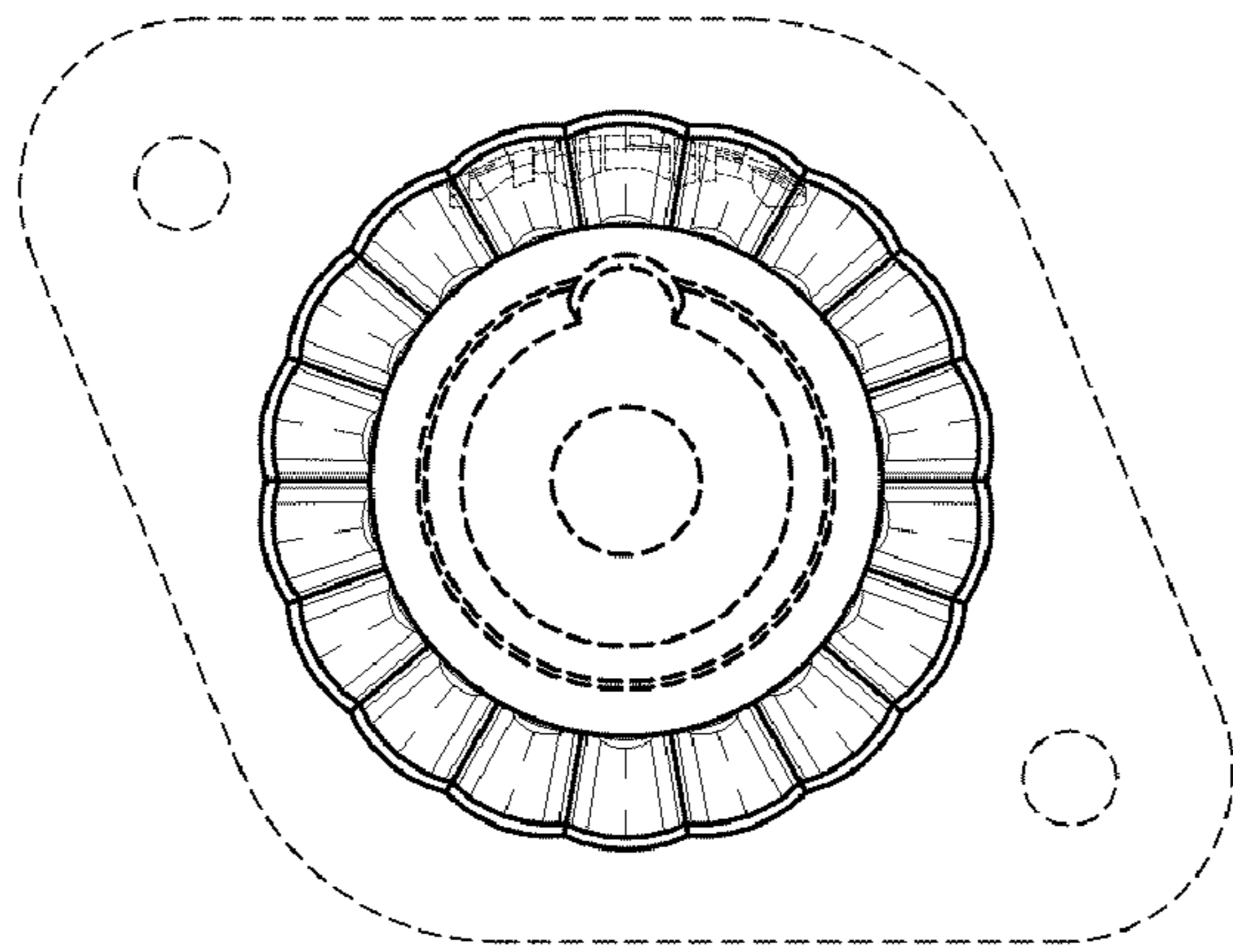
*FIG. 1*



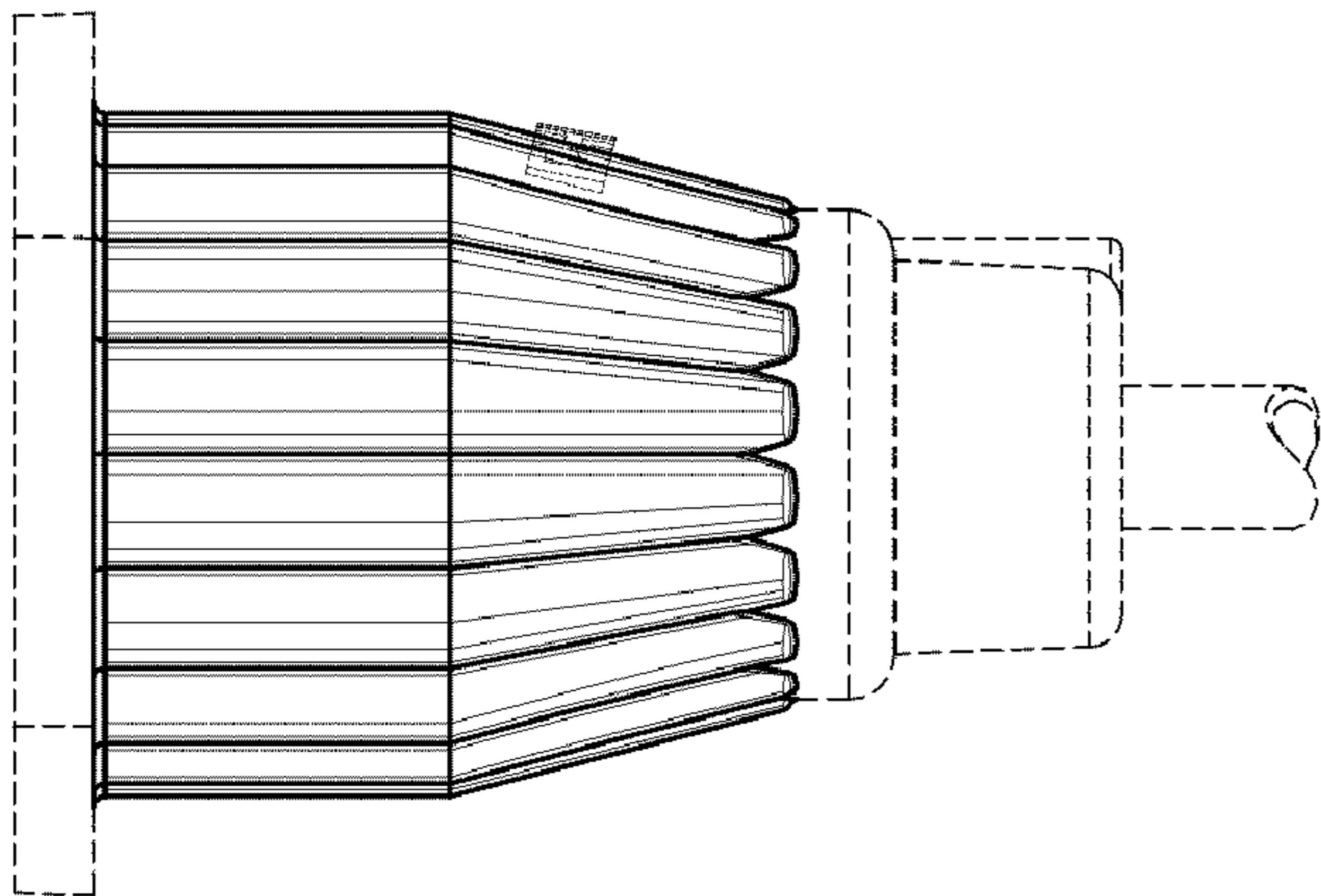
*FIG. 2*



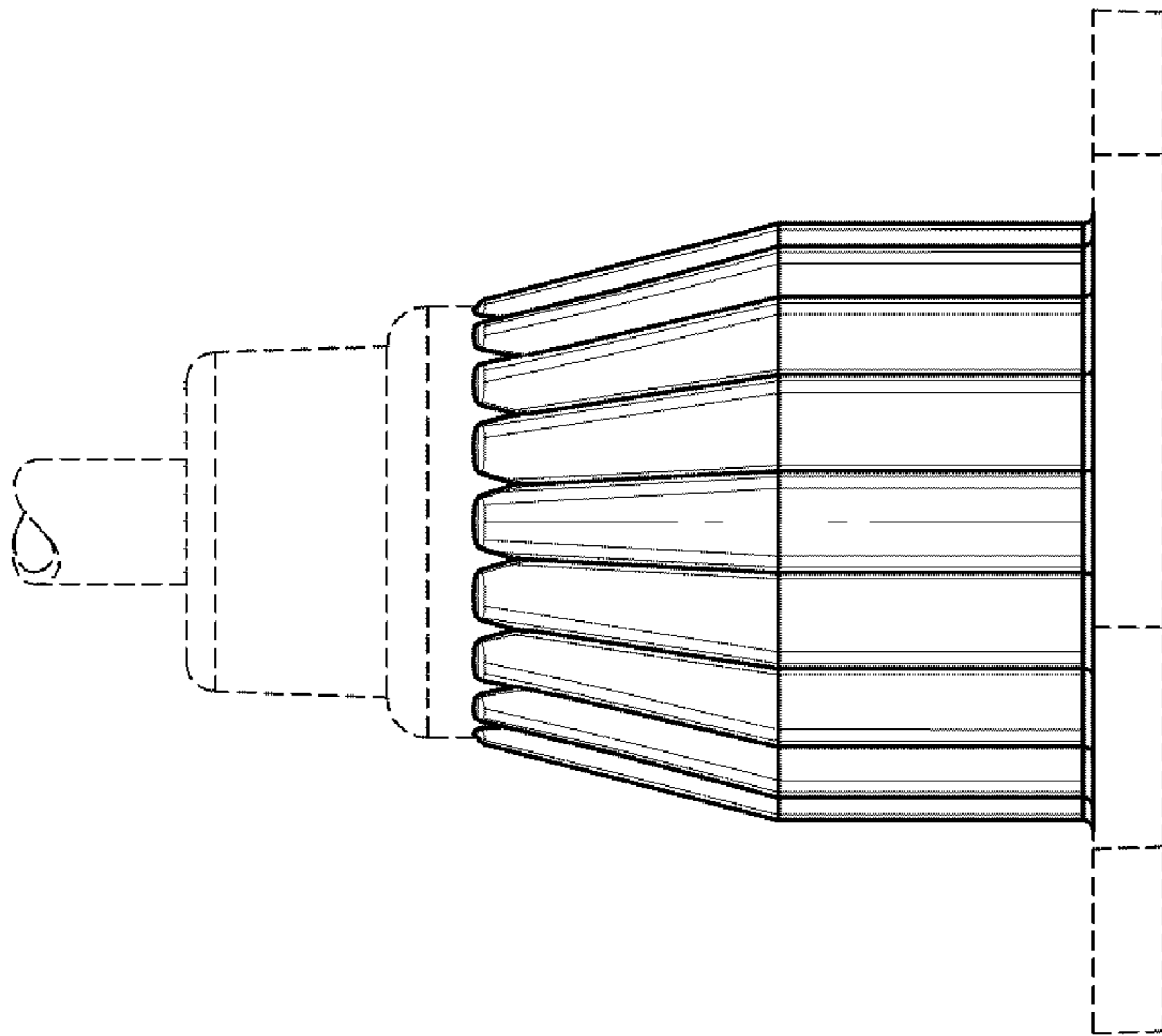
*FIG. 3*



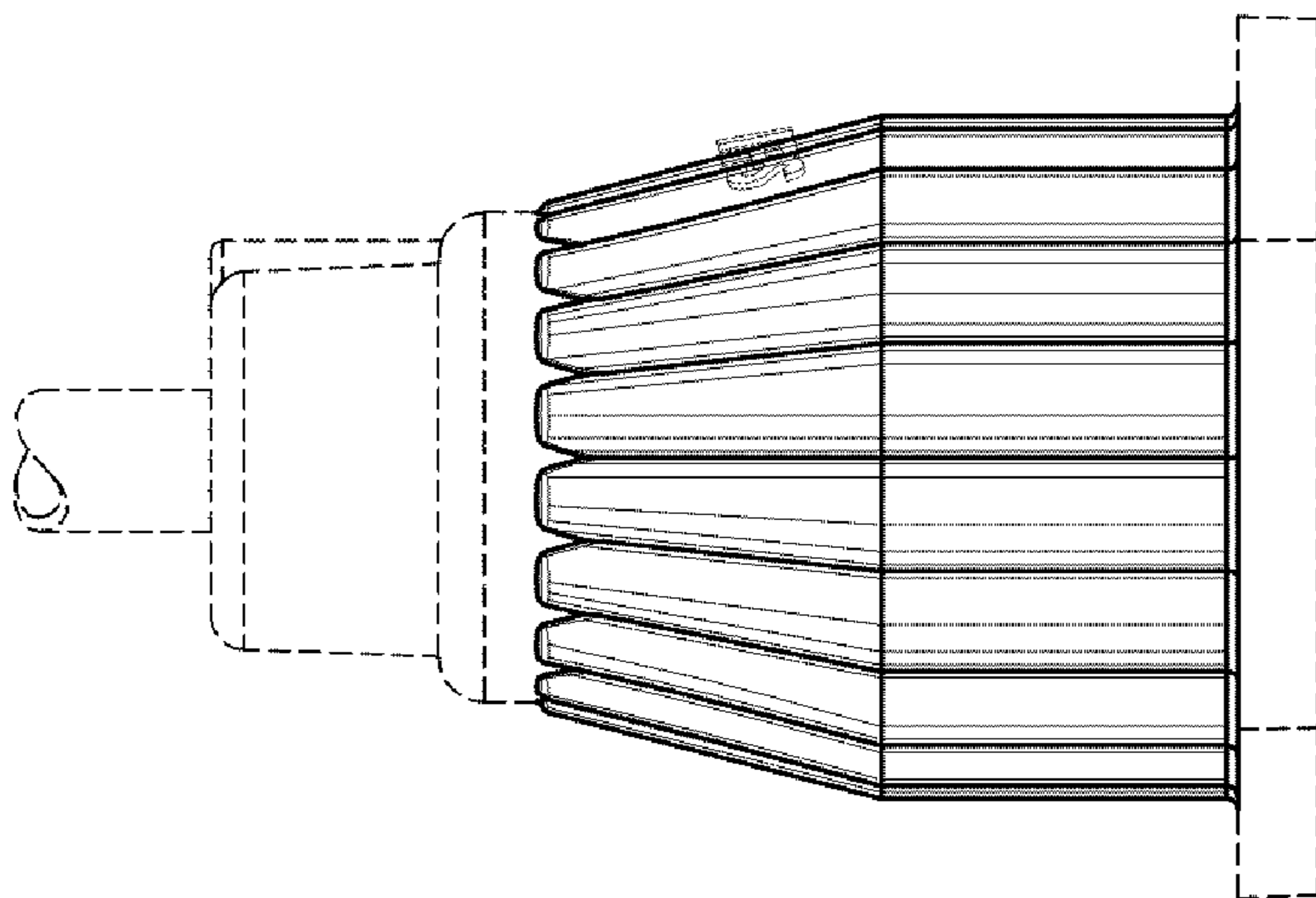
*FIG. 4*



*FIG. 5*



*FIG. 6*



*FIG. 7*