



US00D647059S

(12) **United States Design Patent**
Guo

(10) **Patent No.:** **US D647,059 S**
(45) **Date of Patent:** **** Oct. 18, 2011**

- (54) **ELECTRICAL SOCKET BOOT**
- (75) Inventor: **Zhimin Guo**, Cerritos, CA (US)
- (73) Assignee: **R.A. Phillips Industries, Inc.**, Santa Fe Springs, CA (US)
- (**) Term: **14 Years**
- (21) Appl. No.: **29/382,330**
- (22) Filed: **Dec. 31, 2010**
- (51) **LOC (9) Cl.** **13-03**
- (52) **U.S. Cl.** **D13/156; D13/154**
- (58) **Field of Classification Search** D13/133, D13/146-147, 154, 156, 184, 199; 439/271, 439/275, 277, 278, 279, 281, 283, 445, 447, 439/578, 583, 584, 927
See application file for complete search history.

- 7,086,897 B2 * 8/2006 Montena 439/578
- D575,744 S * 8/2008 Amidon D13/156
- 7,727,011 B2 * 6/2010 Montena et al. 439/578
- 2006/0240709 A1 * 10/2006 Montena et al. 439/578

* cited by examiner

Primary Examiner — Daniel Bui

(74) *Attorney, Agent, or Firm* — Christie, Parker & Hale, LLP

(57) **CLAIM**

The ornamental design for an electrical socket boot, as shown and described.

DESCRIPTION

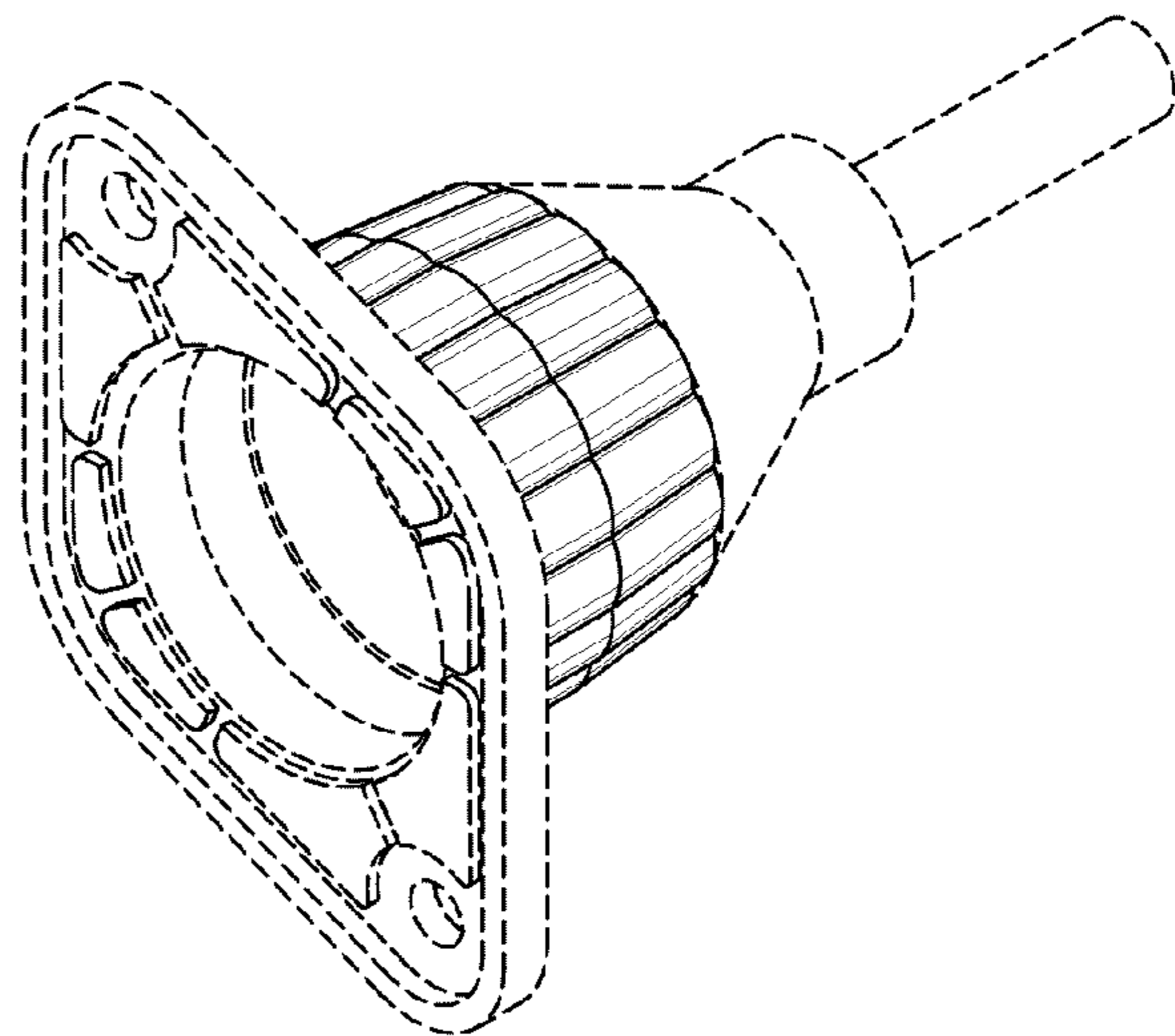
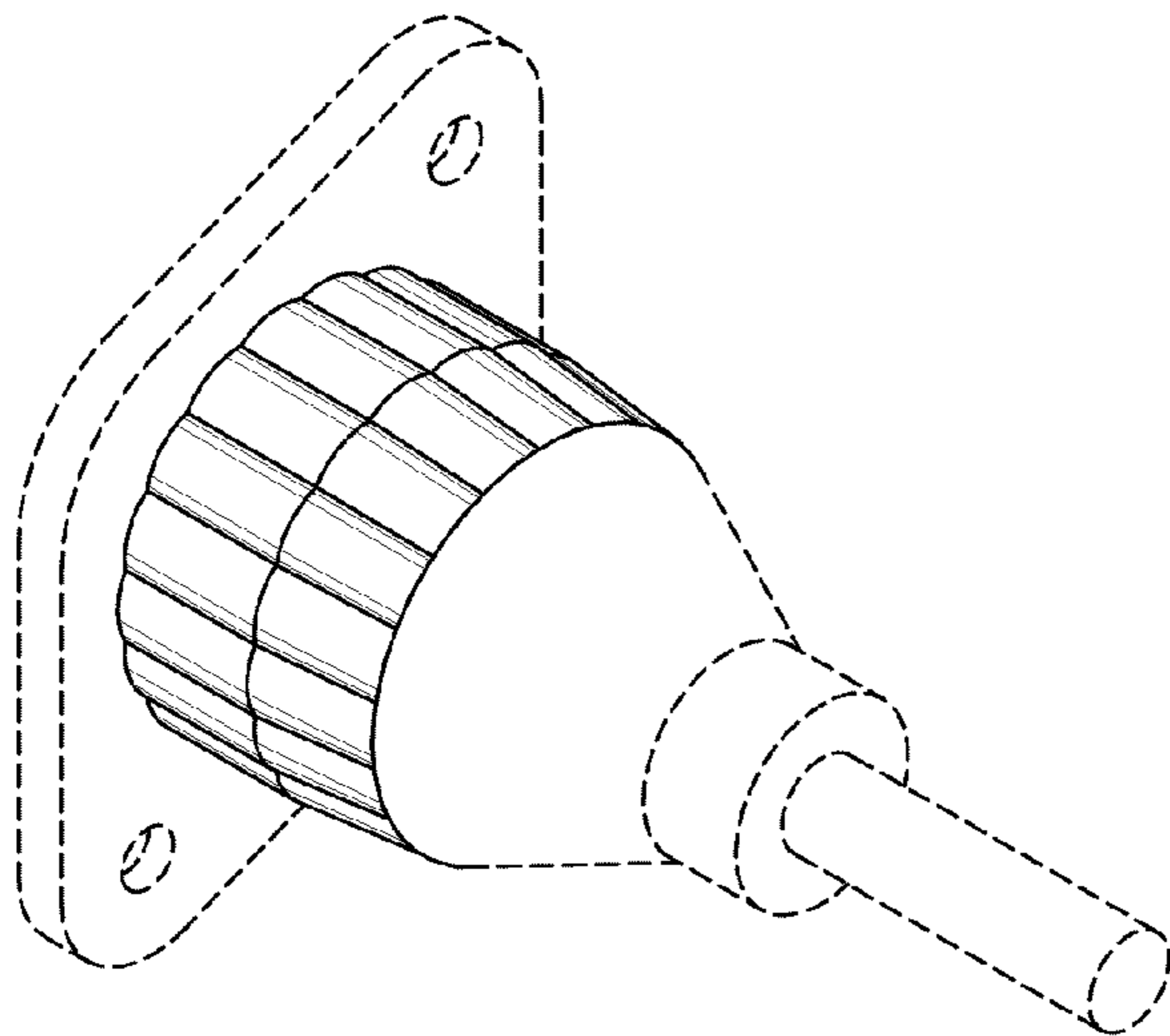
FIG. 1 is a rear perspective view of an electrical socket boot showing my new design;
 FIG. 2 is a front perspective view thereof;
 FIG. 3 is a right elevational view thereof;
 FIG. 4 is a left elevational view thereof;
 FIG. 5 is a bottom plan view thereof;
 FIG. 6 is a rear elevational view thereof; and,
 FIG. 7 is a top plan view thereof.
 The even-broken line in the figure drawings is included for the purpose of illustrating environment and forms no part of the claimed design.

1 Claim, 3 Drawing Sheets

(56) **References Cited**

U.S. PATENT DOCUMENTS

D152,275 S *	1/1949	Ludwig	D13/146
D328,279 S *	7/1992	Couto et al.	D13/133
D358,129 S *	5/1995	Mizobe	D13/154
D407,378 S *	3/1999	Lee	D13/156
D411,508 S *	6/1999	Spillyards	D13/118
6,007,378 A *	12/1999	Oeth	439/588



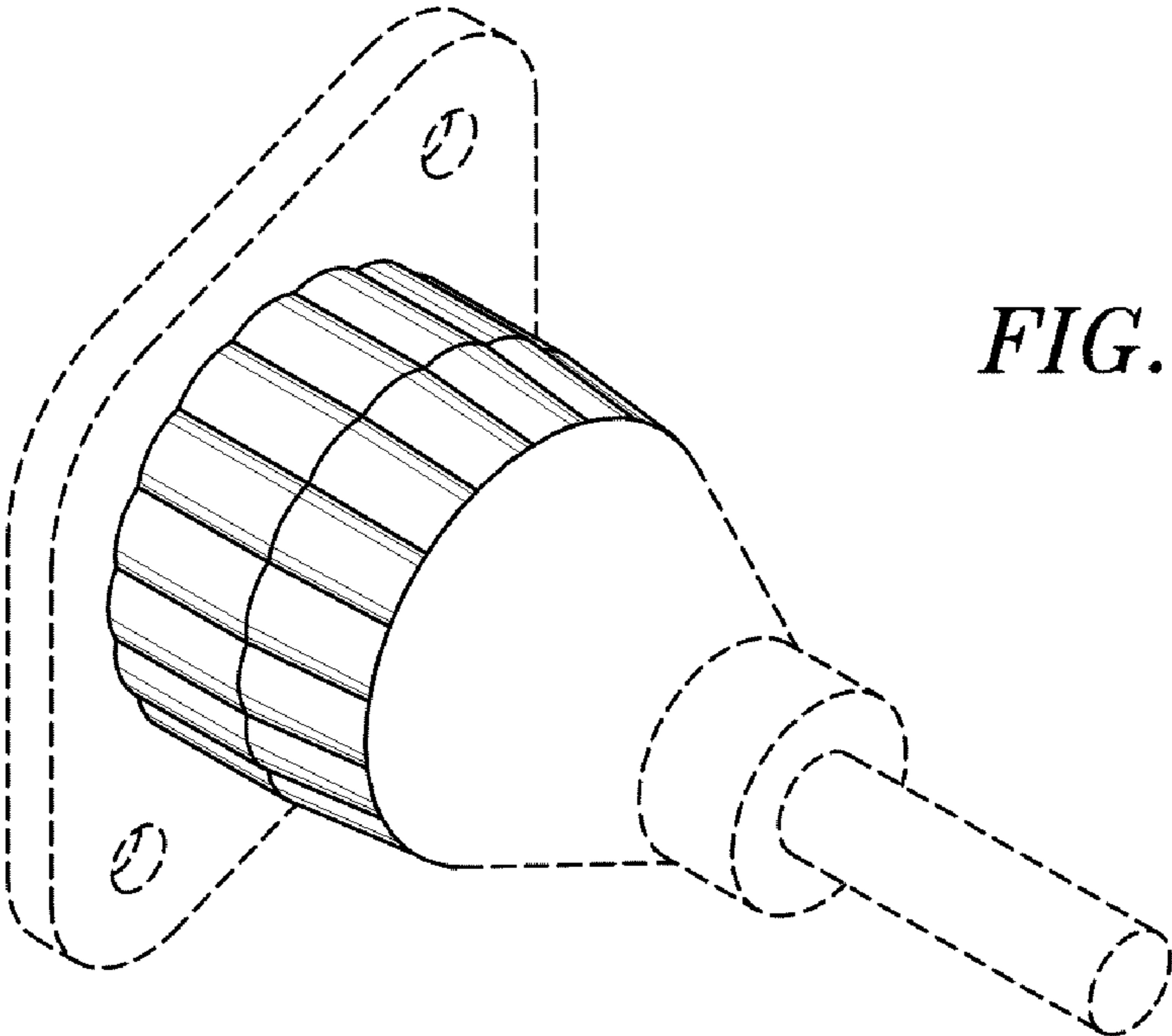


FIG. 1

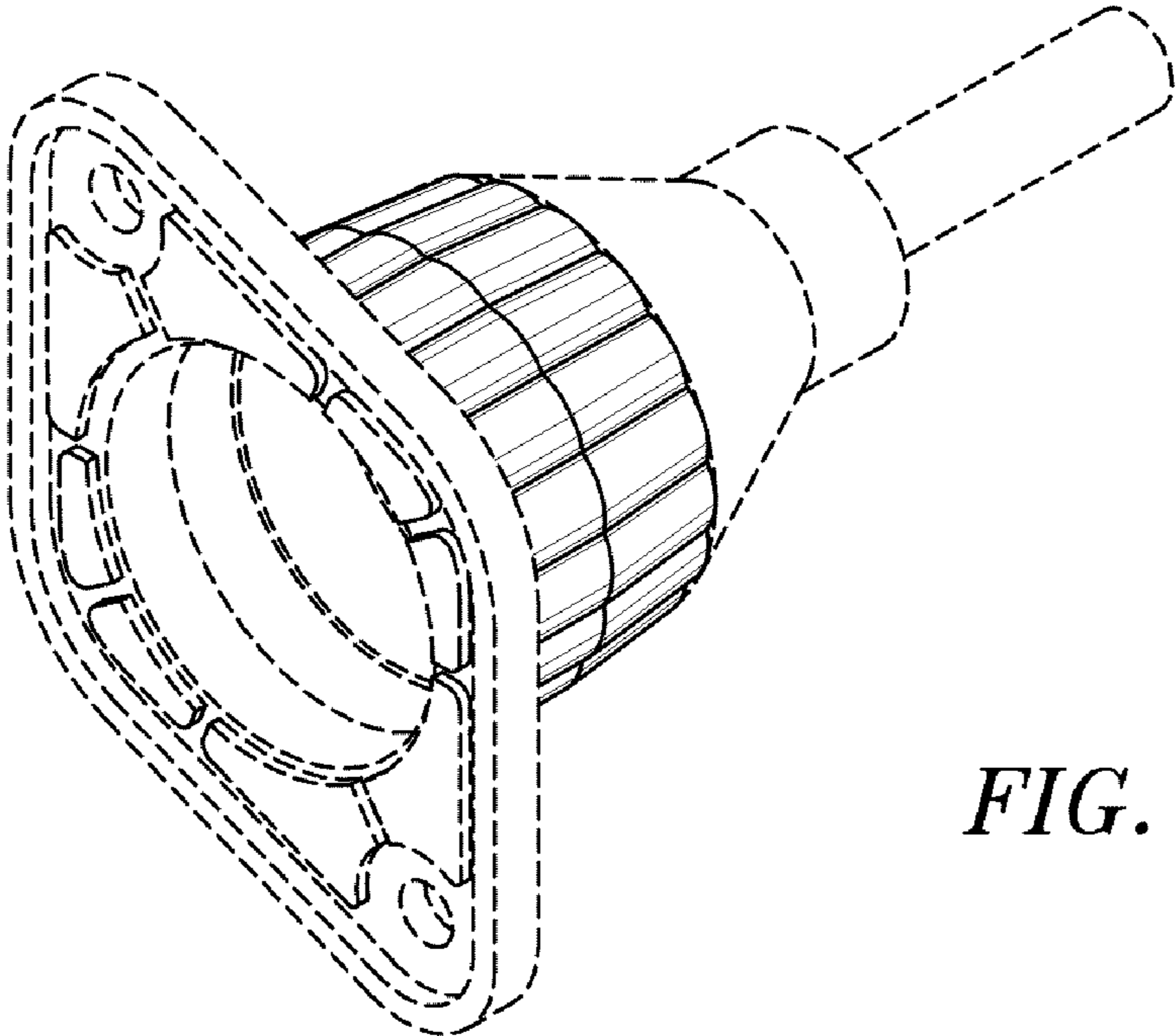


FIG. 2

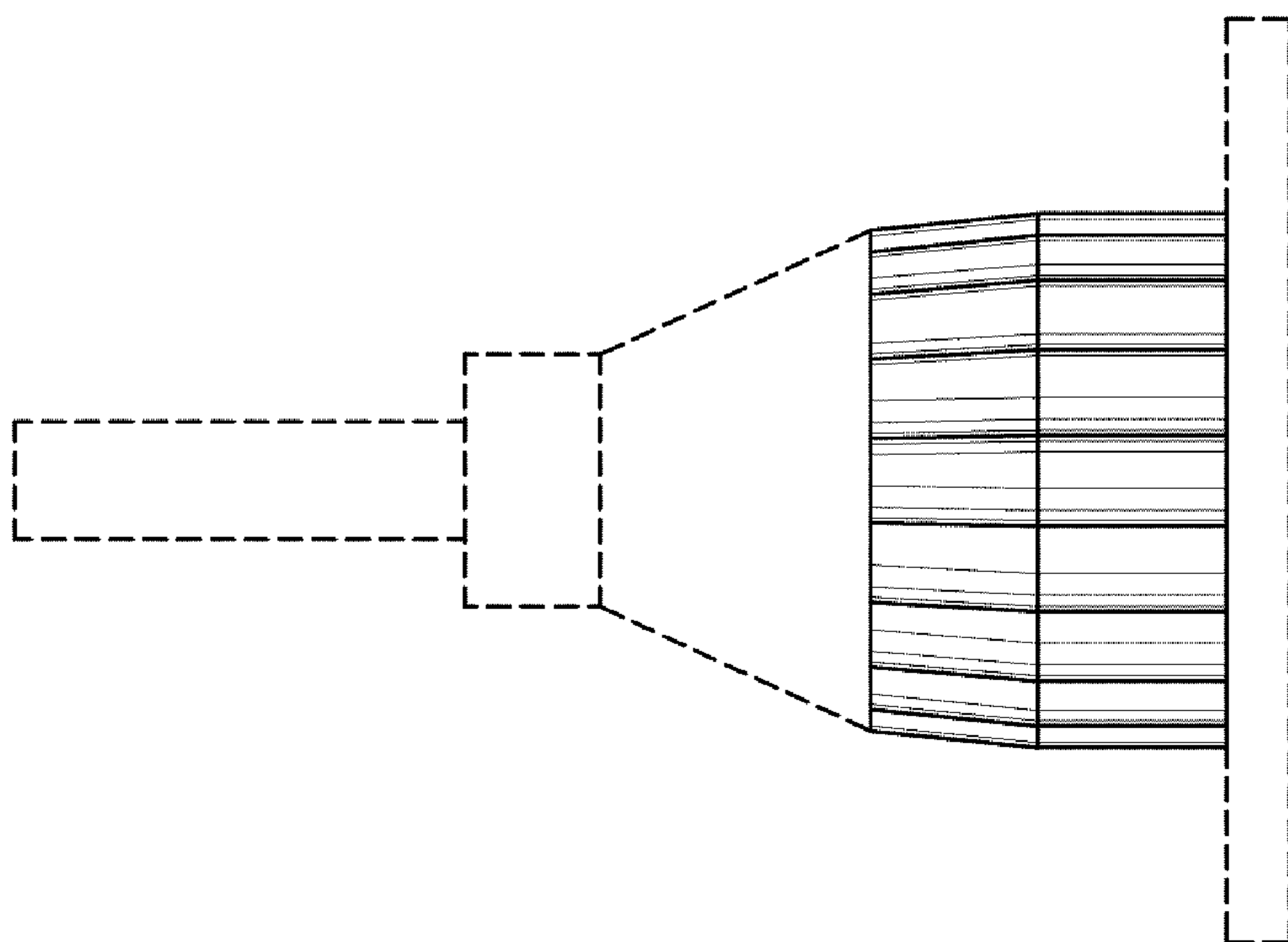


FIG. 3

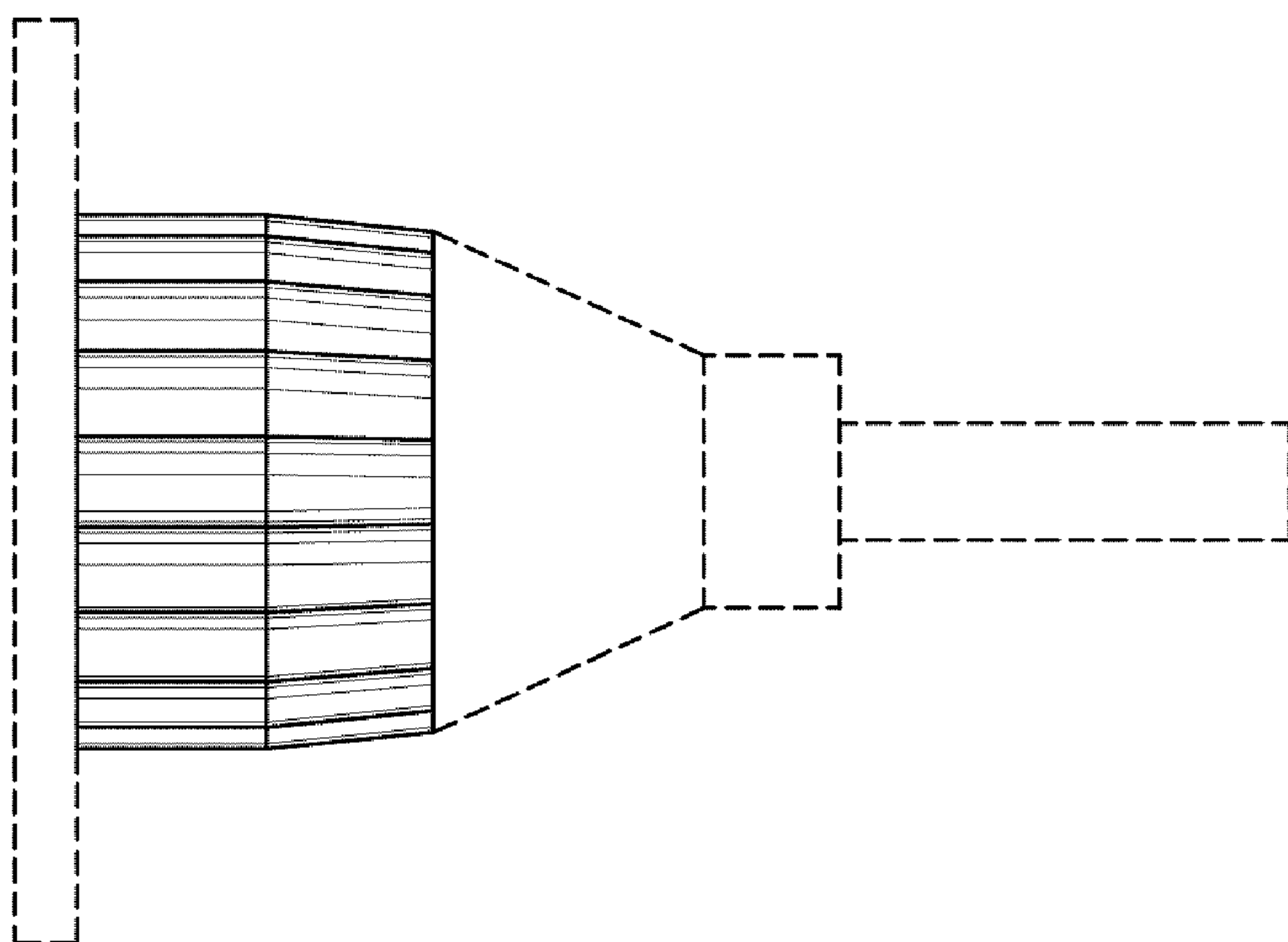


FIG. 4

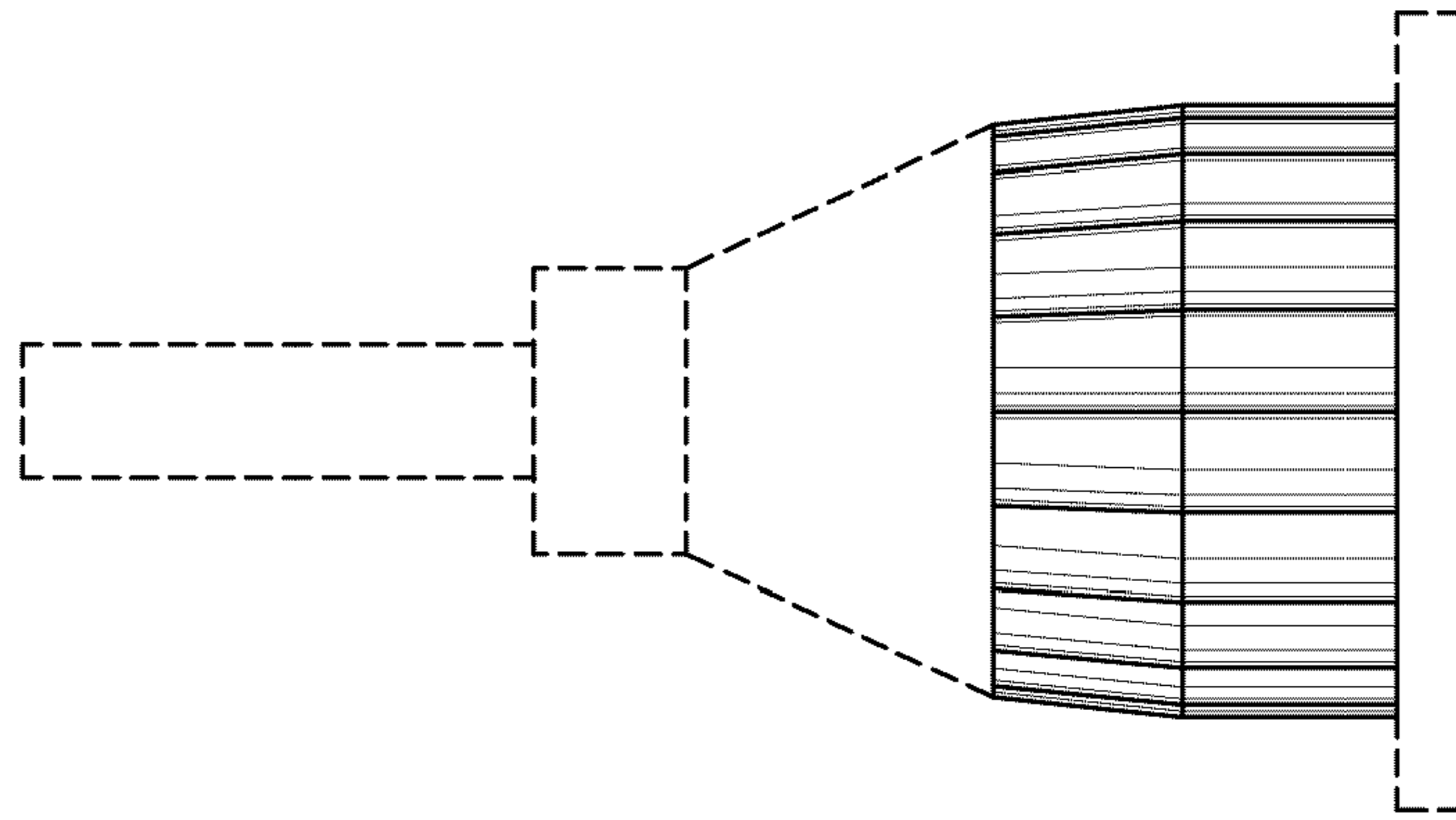


FIG. 5

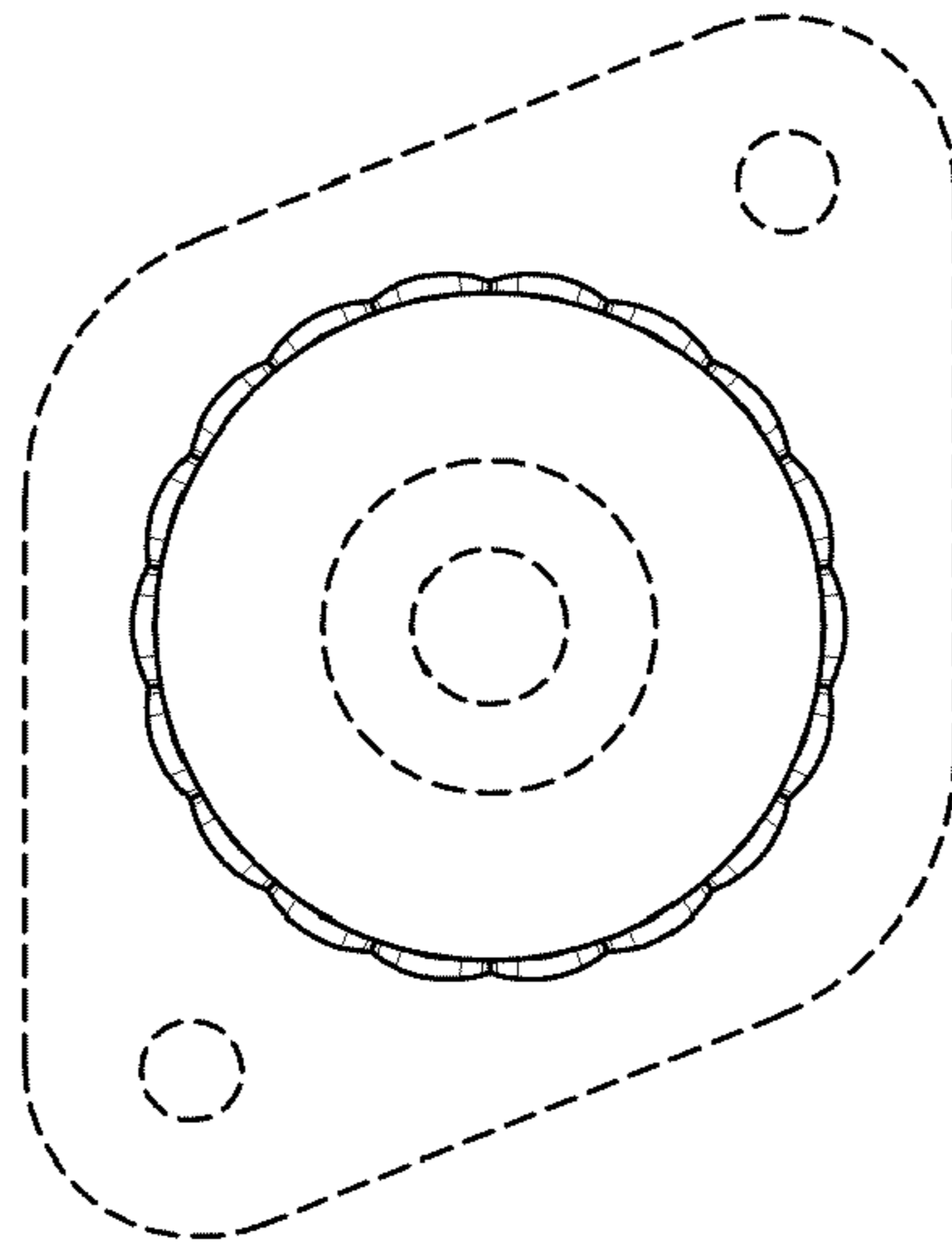


FIG. 6

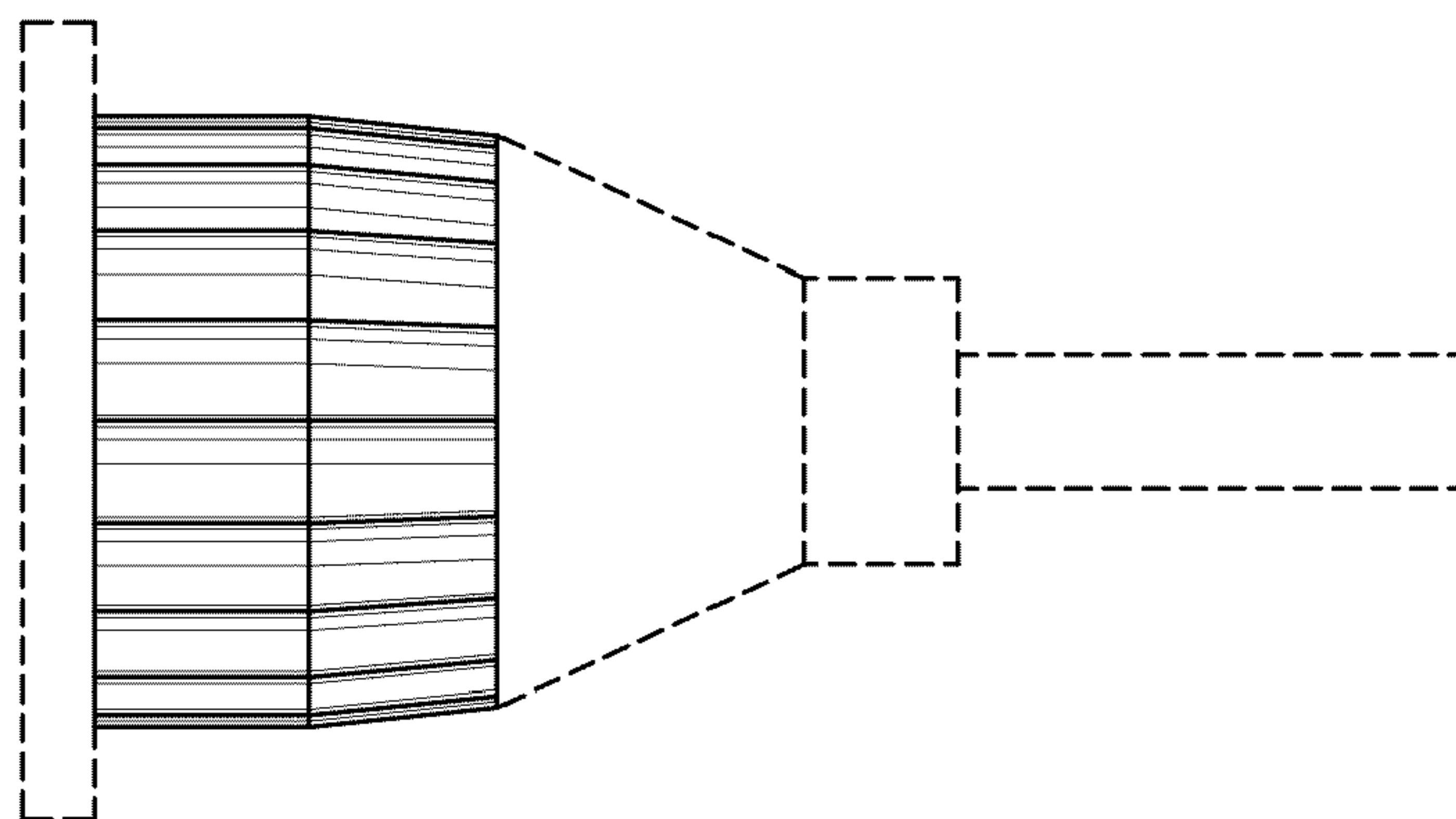


FIG. 7