



US00D647057S

(12) **United States Design Patent**  
**Lee et al.**

(10) **Patent No.:** **US D647,057 S**  
(45) **Date of Patent:** **\*\* Oct. 18, 2011**

(54) **CONNECTOR**

(75) Inventors: **Kuo-Chi Lee**, Tucheng (TW);  
**Shih-Chia Lai**, Tucheng (TW)

(73) Assignee: **Concraft Holding Co., Ltd.**, Grand  
Cayman (KY)

(\*\*) Term: **14 Years**

(21) Appl. No.: **29/373,468**

(22) Filed: **Apr. 13, 2011**

(51) **LOC (9) Cl.** ..... **13-03**

(52) **U.S. Cl.** ..... **D13/147**

(58) **Field of Classification Search** ..... D13/147,  
D13/154, 184, 199; 439/78-79, 83, 108,  
439/181, 607.01, 607.04, 607.05, 607.17,  
439/607.25, 607.34, 74, 607.41, 607.53,  
439/630, 660

See application file for complete search history.

(56) **References Cited**

U.S. PATENT DOCUMENTS

D578,071	S	*	10/2008	Shen et al.	.....	D13/147
D590,777	S	*	4/2009	Tanaka	.....	D13/147
D607,825	S	*	1/2010	Hirakawa	.....	D13/147
D626,511	S	*	11/2010	Nakajima et al.	.....	D13/147
D628,964	S	*	12/2010	Mashima	.....	D13/147
D629,360	S	*	12/2010	Hayashi et al.	.....	D13/147

\* cited by examiner

*Primary Examiner* — Daniel Bui

(74) *Attorney, Agent, or Firm* — Charles E. Baxley

(57) **CLAIM**

The ornamental design for a connector, as shown.

**DESCRIPTION**

FIG. 1 is a perspective view of a connector showing our new design;

FIG. 2 is a front view thereof;

FIG. 3 is a rear view thereof;

FIG. 4 is a left view thereof;

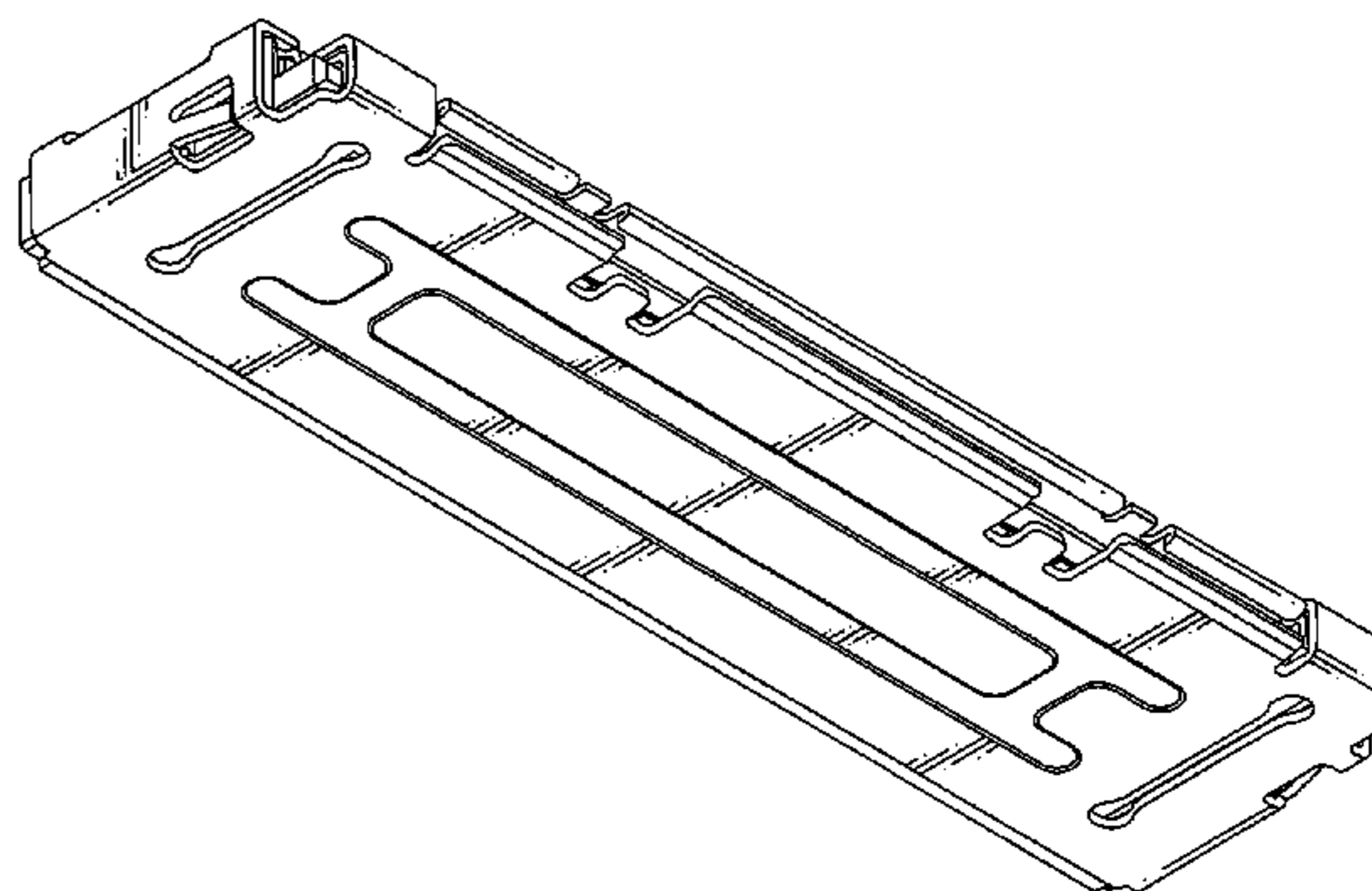
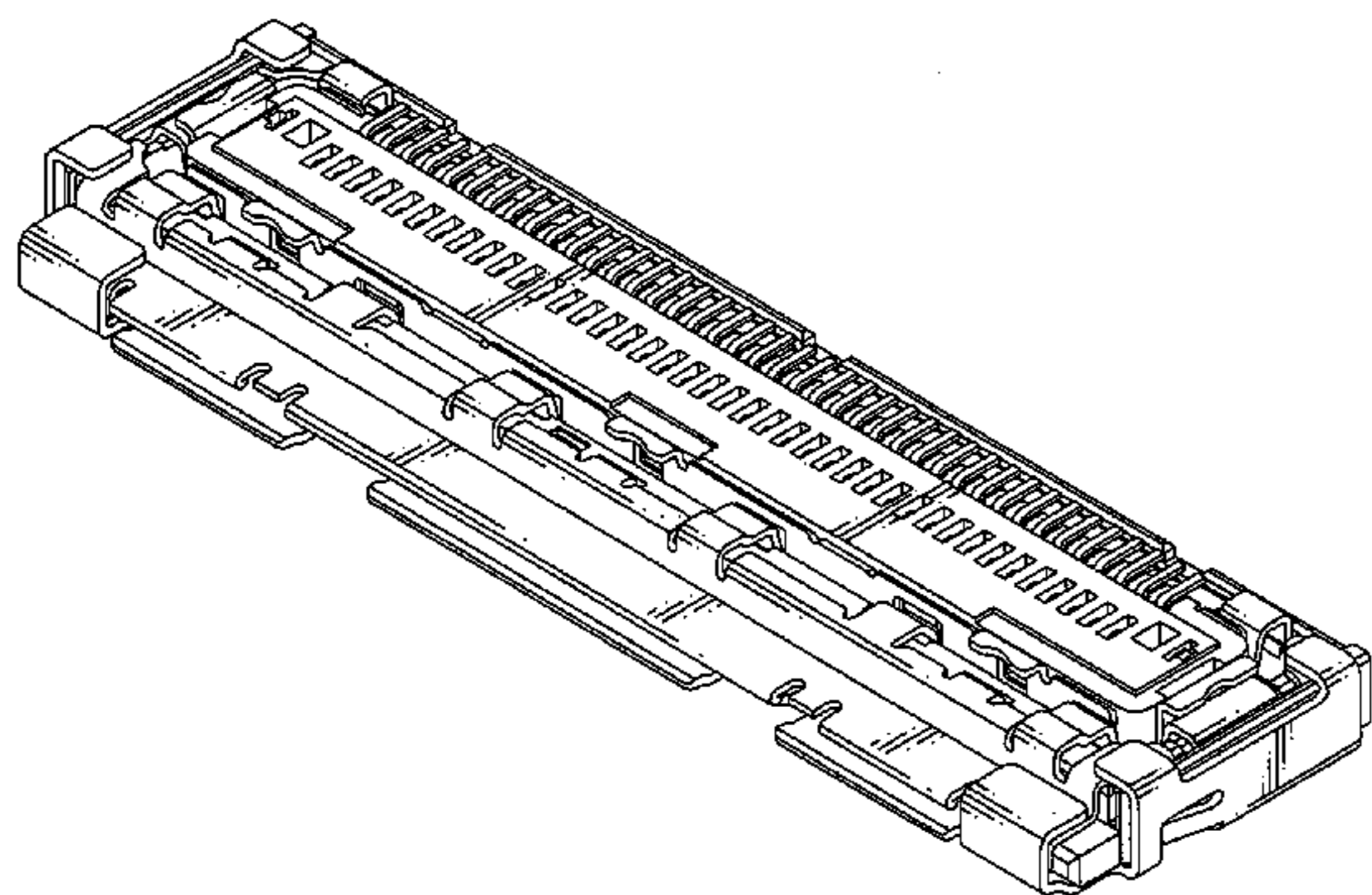
FIG. 5 is a right view thereof;

FIG. 6 is a top view thereof; and

FIG. 7 is a bottom view thereof; and,

FIG. 8 is another perspective view thereof.

**1 Claim, 8 Drawing Sheets**



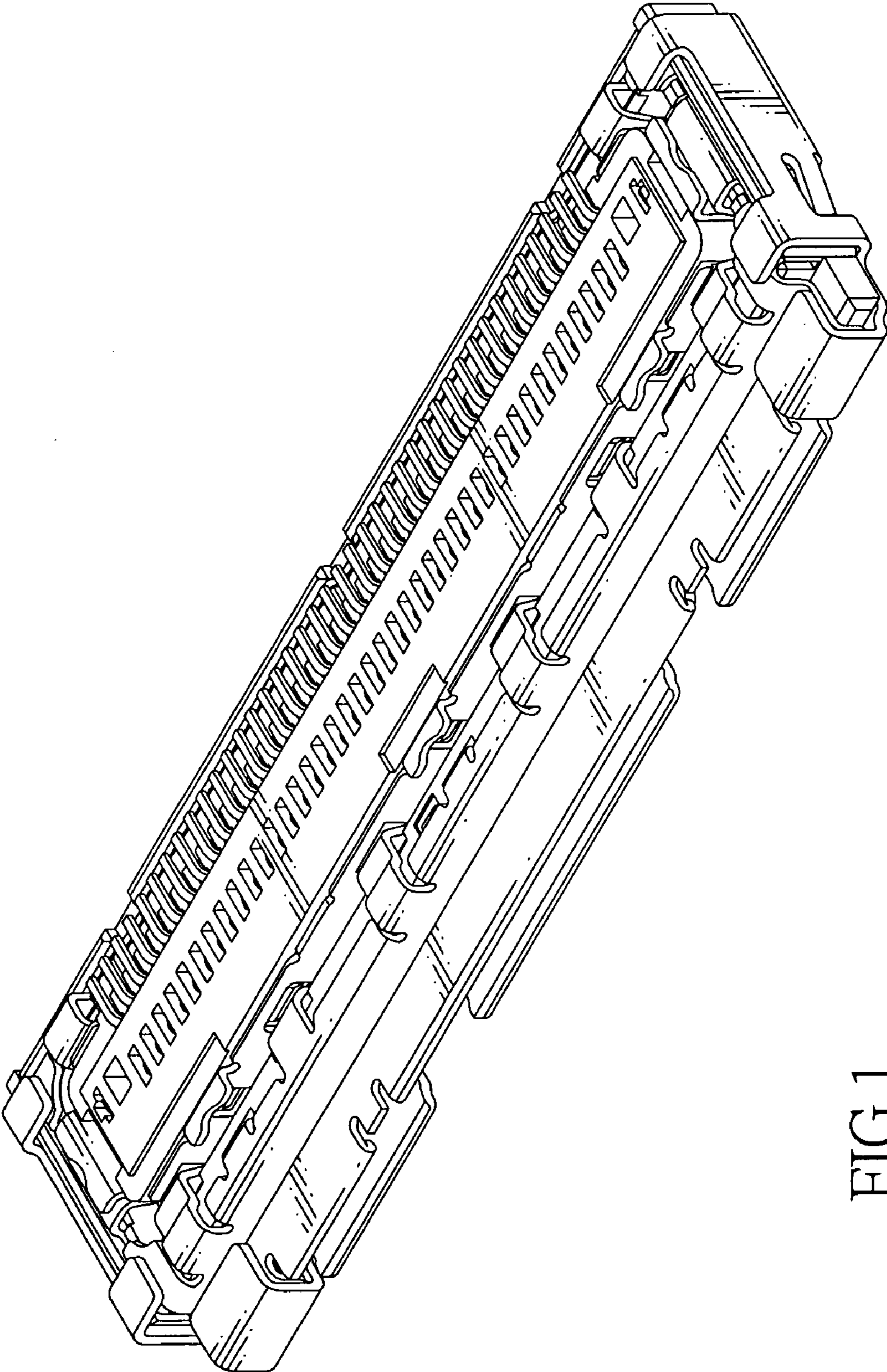


FIG.1

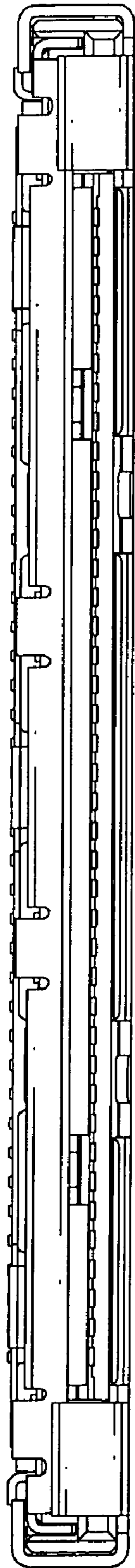


FIG.2

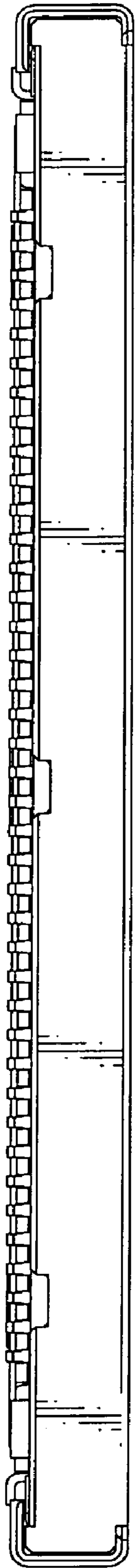


FIG.3

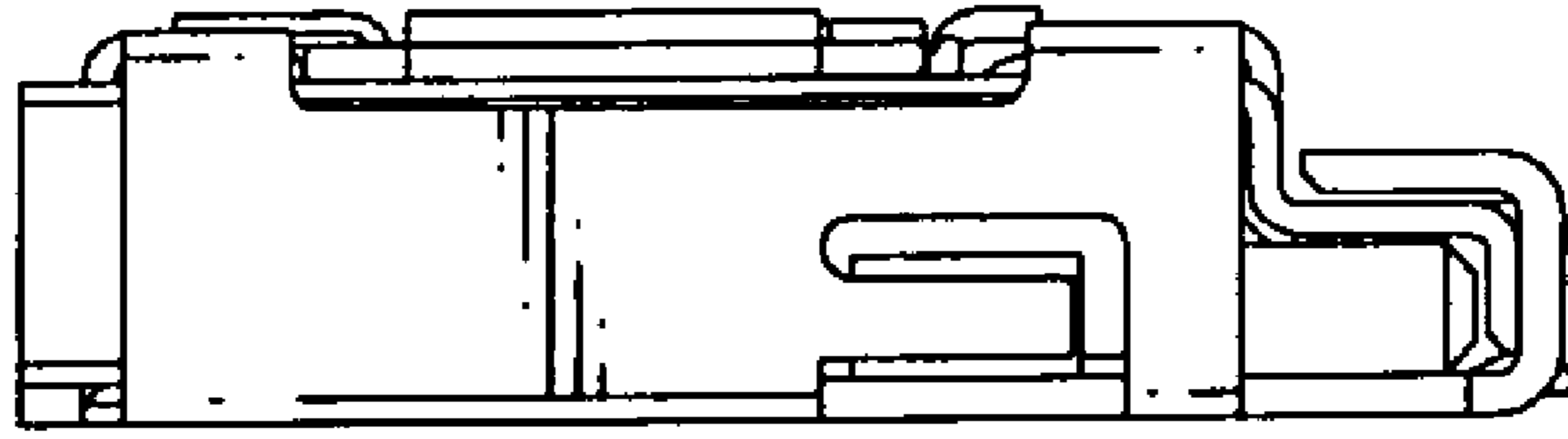


FIG.4

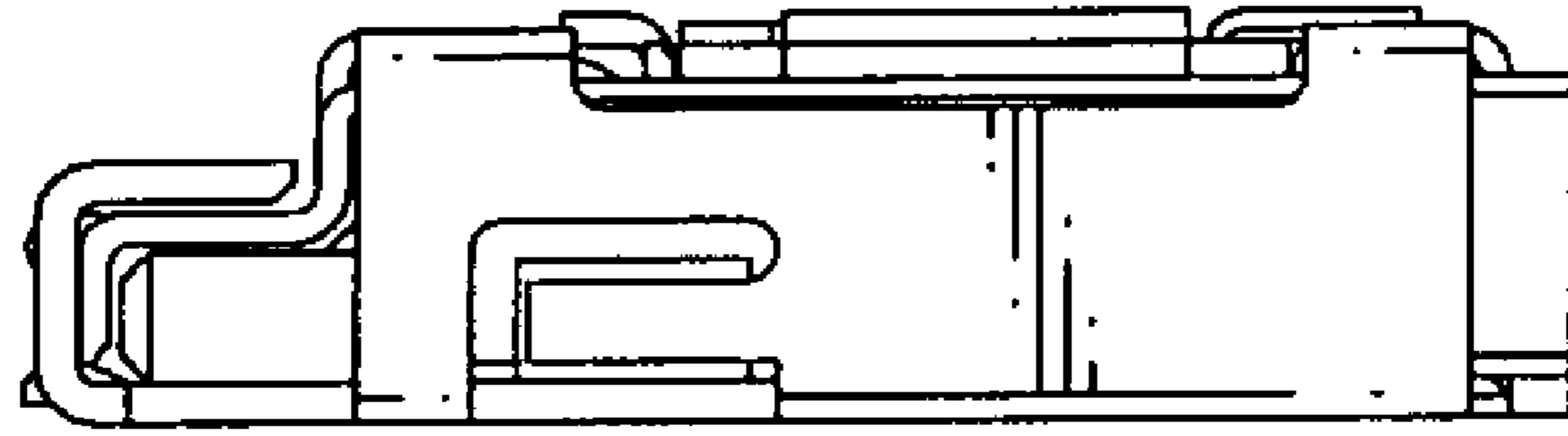


FIG.5

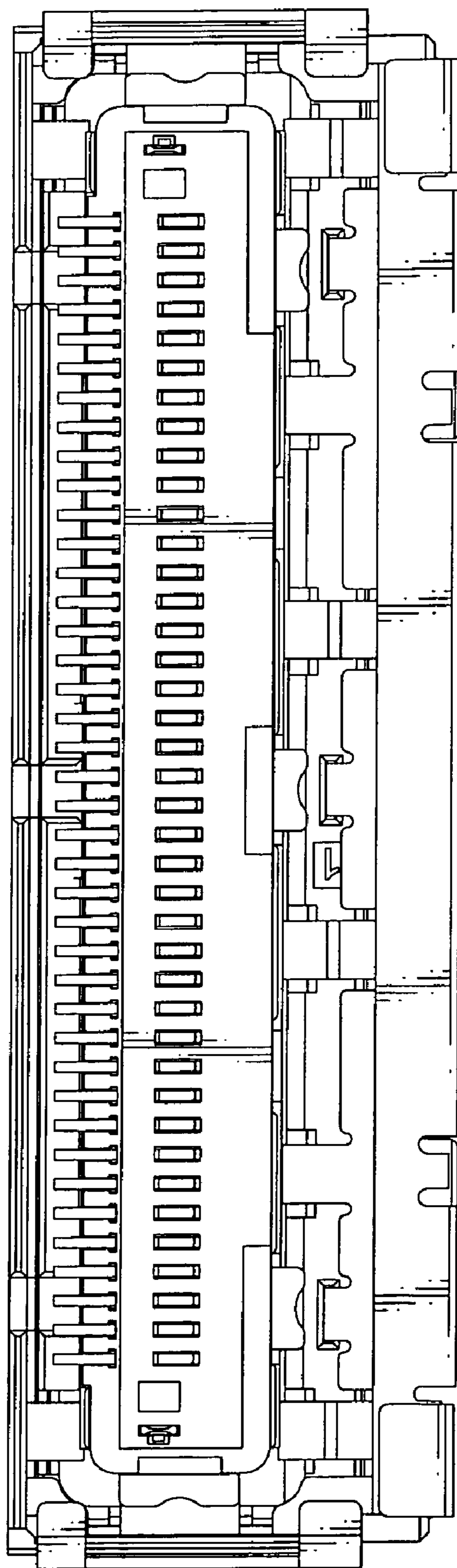


FIG.6

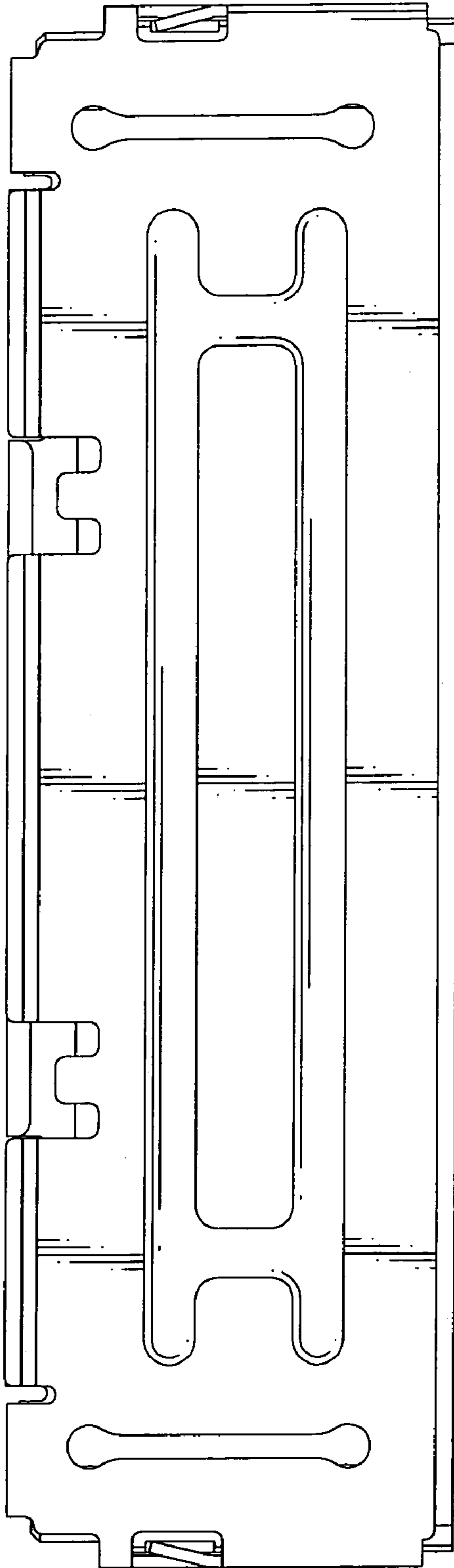


FIG.7



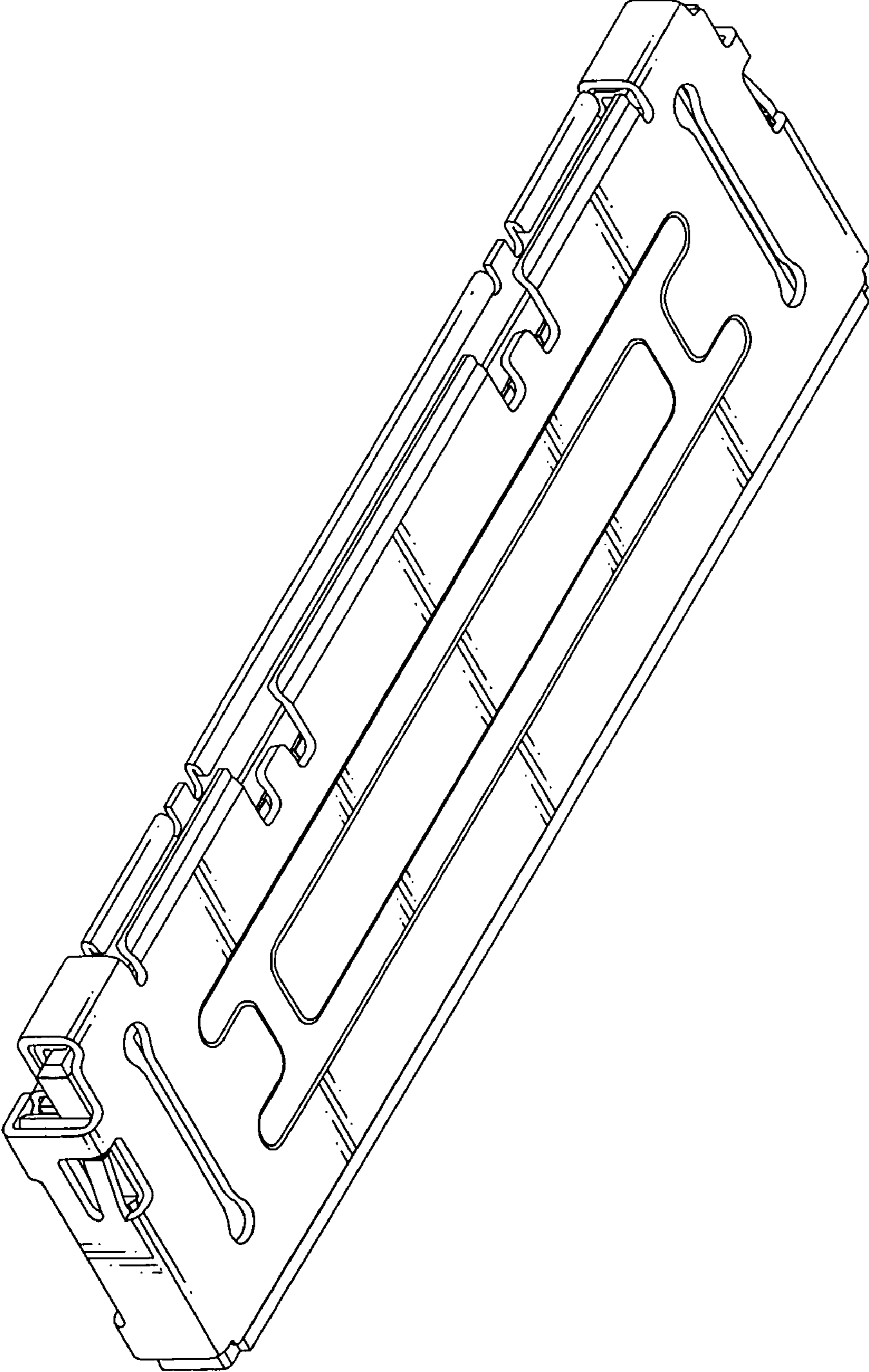


FIG. 8