



US00D647056S

(12) **United States Design Patent**
Sakae

(10) **Patent No.:** **US D647,056 S**

(45) **Date of Patent:** **** Oct. 18, 2011**

(54) **BUS BAR FOR BATTERY**

(75) Inventor: **Akira Sakae**, Kobe (JP)

(73) Assignee: **Kobe Steel, Ltd.**, Kobe-shi (JP)

(**) Term: **14 Years**

(21) Appl. No.: **29/388,468**

(22) Filed: **Mar. 29, 2011**

(30) **Foreign Application Priority Data**

Oct. 13, 2010 (JP) 2010-024514

(51) **LOC (9) Cl.** **13-02**

(52) **U.S. Cl.** **D13/120**

(58) **Field of Classification Search** D13/102-106,
D13/110, 118-121, 133, 154, 184, 199; 429/96-100,
429/149, 151, 152, 158, 160, 163, 176, 209,
429/211, 225, 246-248, 443

See application file for complete search history.

(56) **References Cited**

U.S. PATENT DOCUMENTS

D303,108 S *	8/1989	Julian et al.	D13/120
D327,051 S *	6/1992	Schwartz	D13/118
6,265,108 B1 *	7/2001	Chalasanani	429/225
6,440,604 B1 *	8/2002	Inoue et al.	429/211
D591,230 S *	4/2009	Tasai	D13/103
D636,727 S *	4/2011	Sakae	D13/121

2002/0061438 A1 *	5/2002	Inoue et al.	429/161
2005/0118501 A1 *	6/2005	Hashimoto et al.	429/180
2009/0066469 A1 *	3/2009	Rahman et al.	337/158
2010/0081048 A1 *	4/2010	Nansaka et al.	429/158

OTHER PUBLICATIONS

U.S. Appl. No. 29/388,244, filed Mar. 25, 2011, Sakae.

U.S. Appl. No. 29/388,347, filed Mar. 28, 2011, Sakae.

* cited by examiner

Primary Examiner — Rosemary K Tarcza

(74) *Attorney, Agent, or Firm* — Oblon, Spivak,
McClelland, Maier & Neustadt, L.L.P.

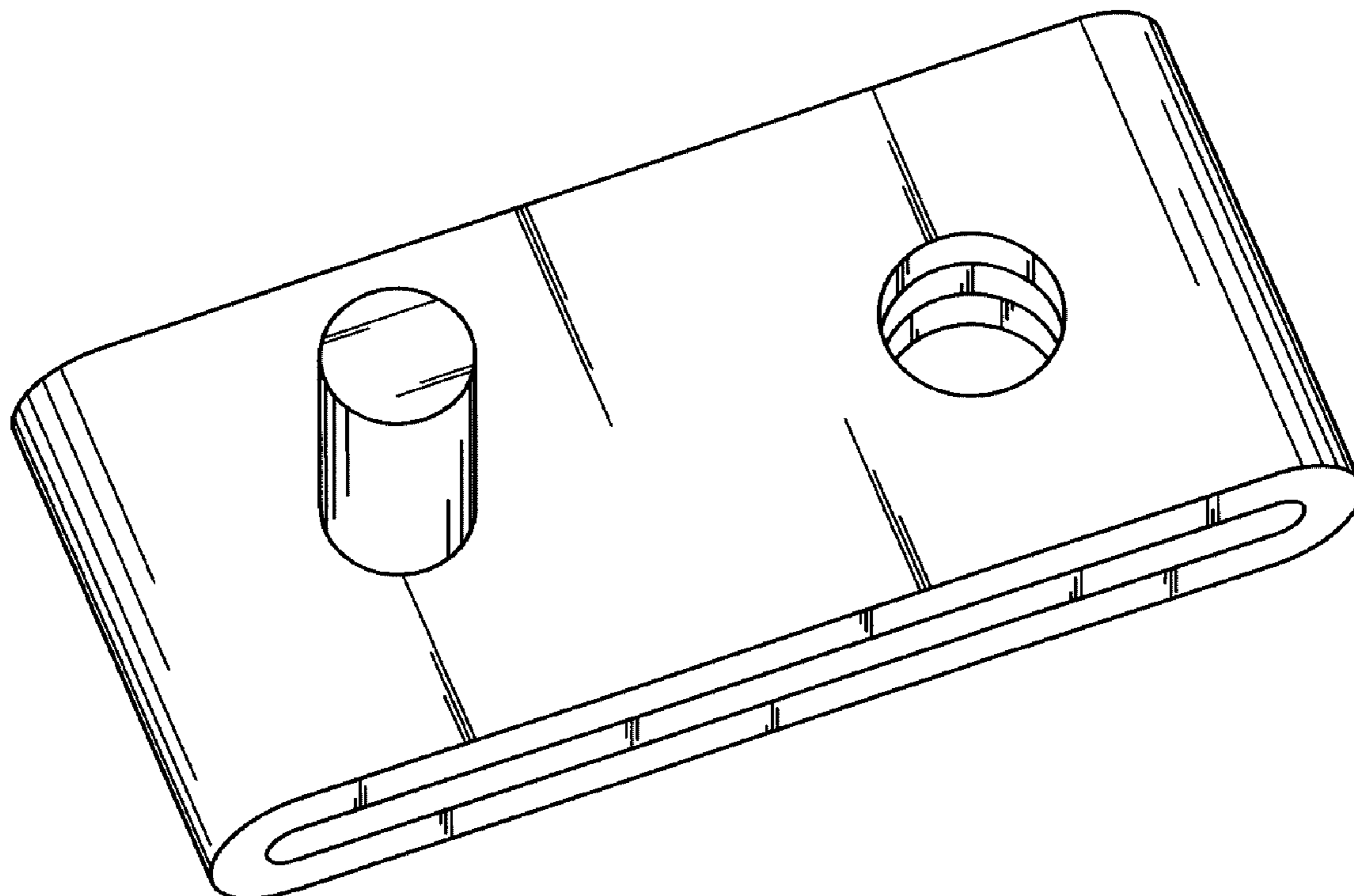
(57) **CLAIM**

The ornamental design for a bus bar for battery, as shown and described.

DESCRIPTION

FIG. 1 is a perspective view of a bus bar for battery;
FIG. 2 is a front view thereof, the opposite side being a mirror image of the side shown herein;
FIG. 3 is a left side view thereof, the opposite side being an identical image of the side shown herein;
FIG. 4 is a top view thereof; and,
FIG. 5 is a bottom view thereof.

1 Claim, 2 Drawing Sheets



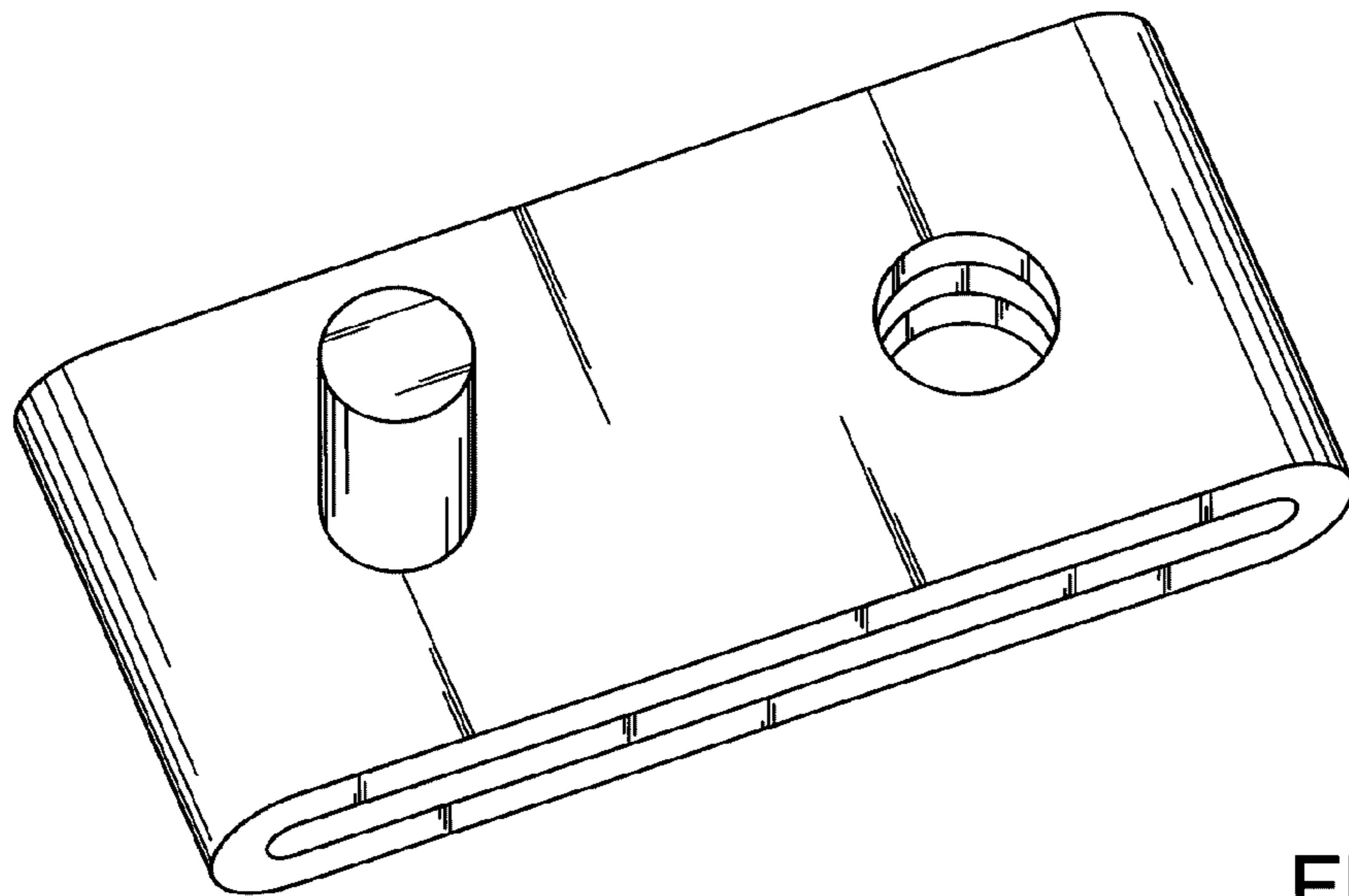


FIG. 1

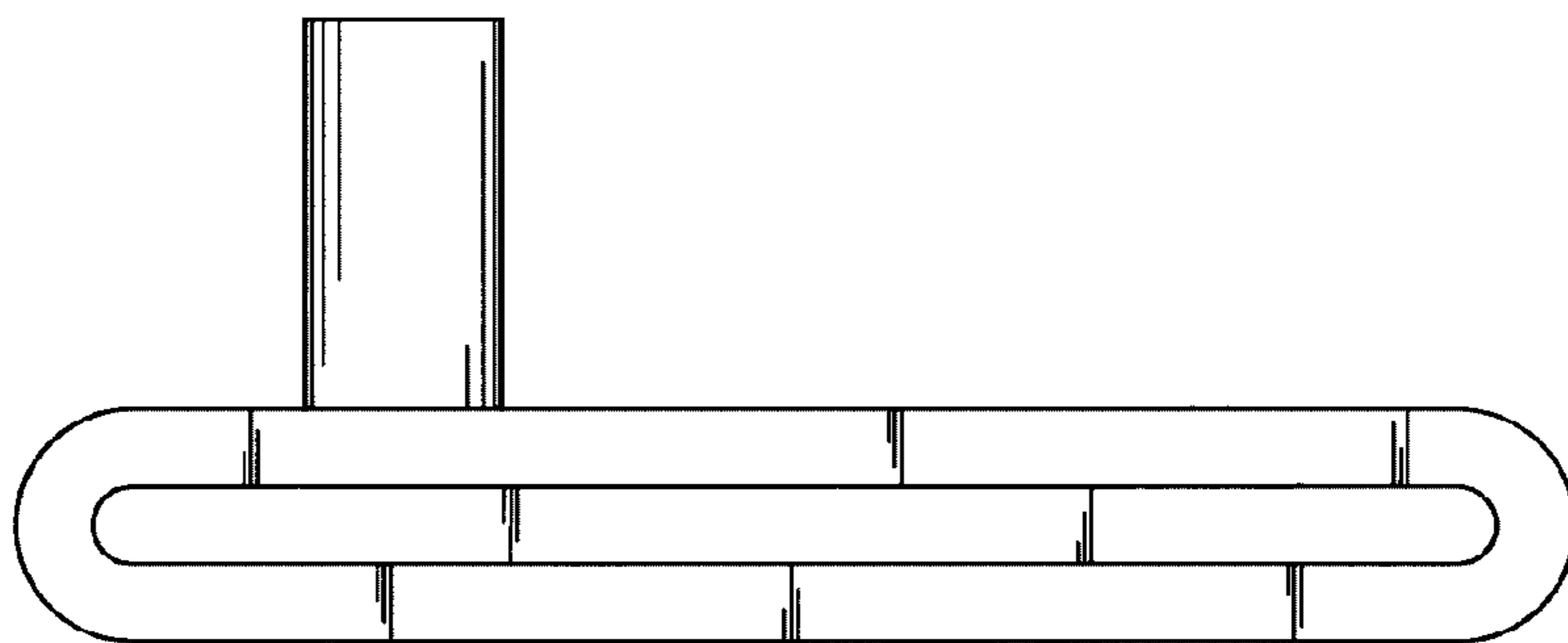


FIG. 2

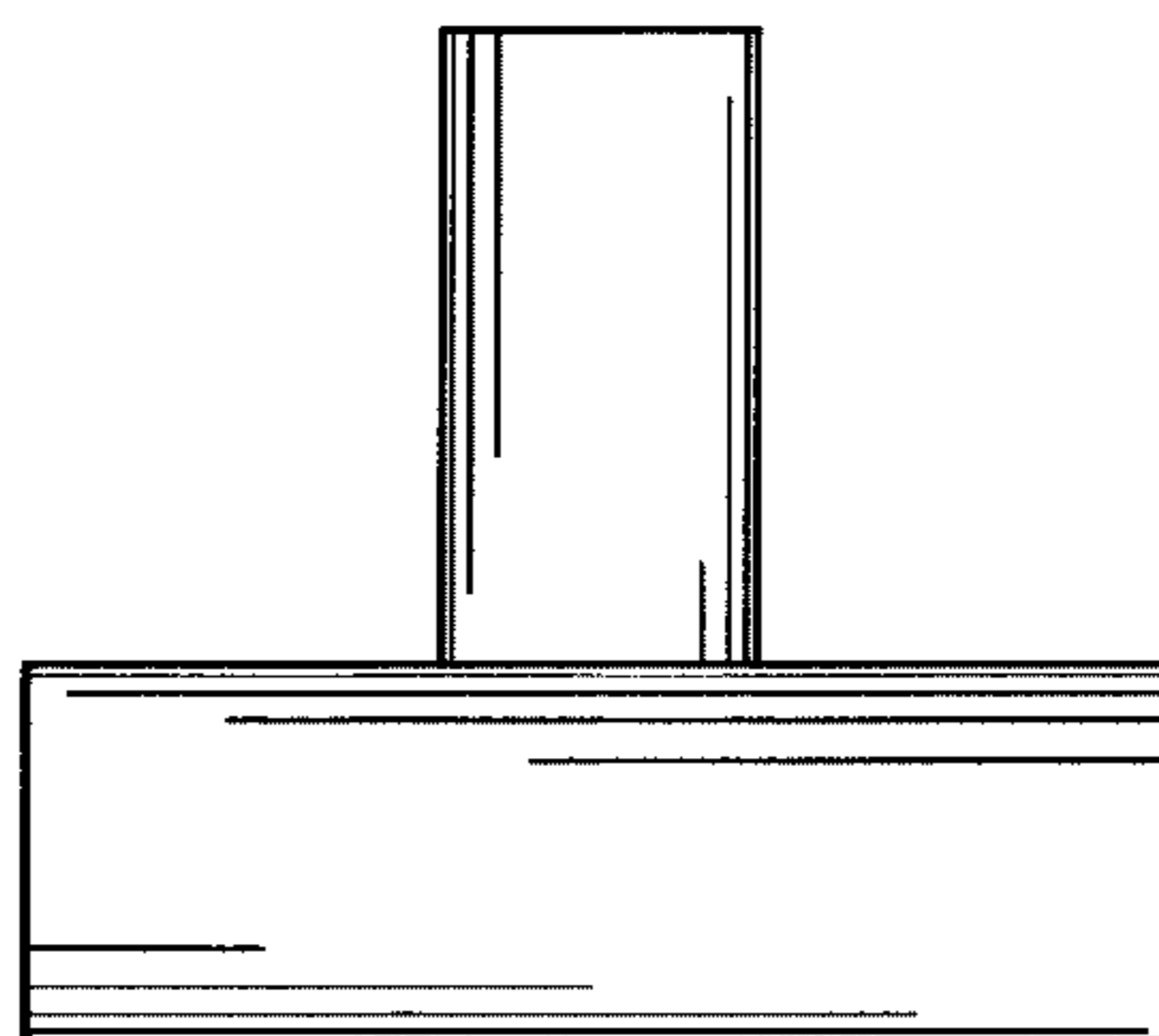


FIG. 3

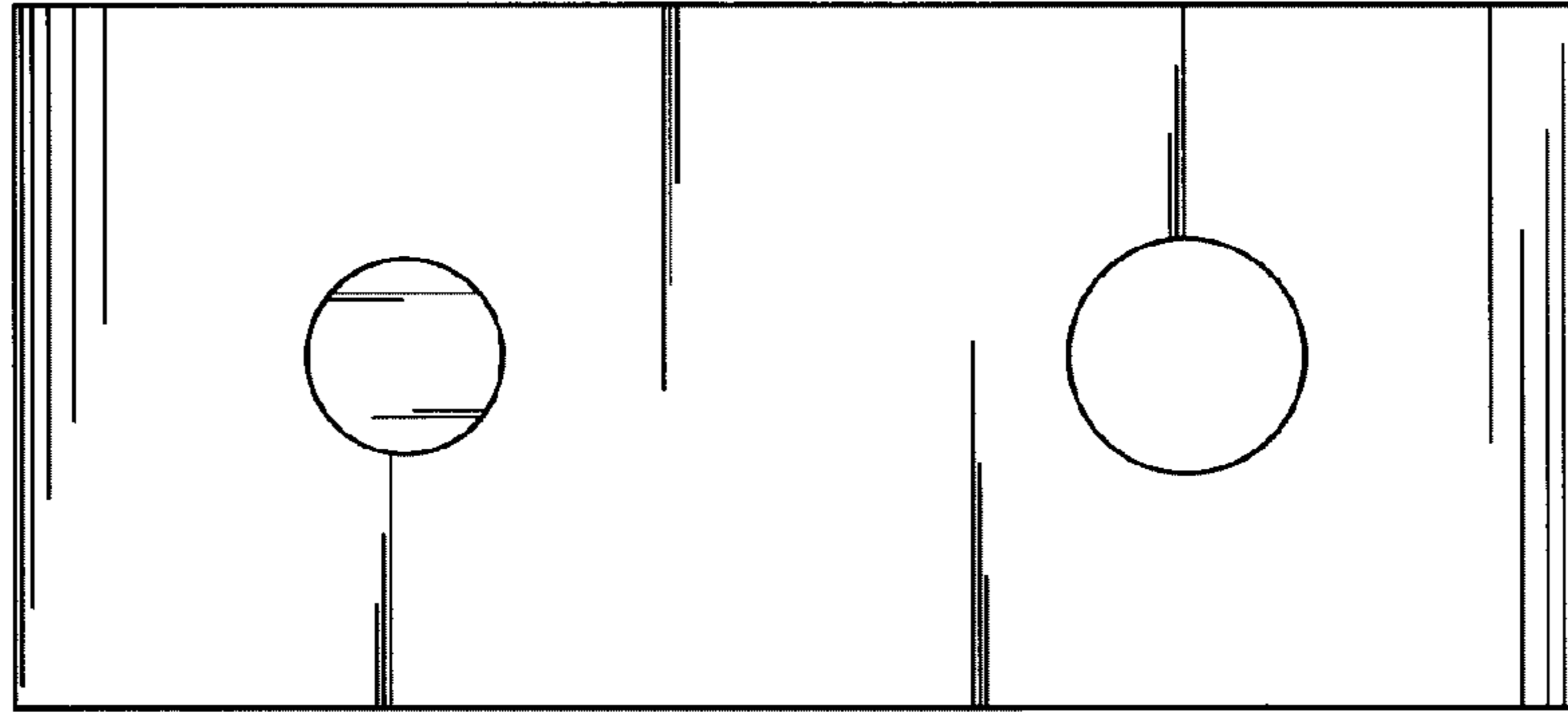


FIG. 4

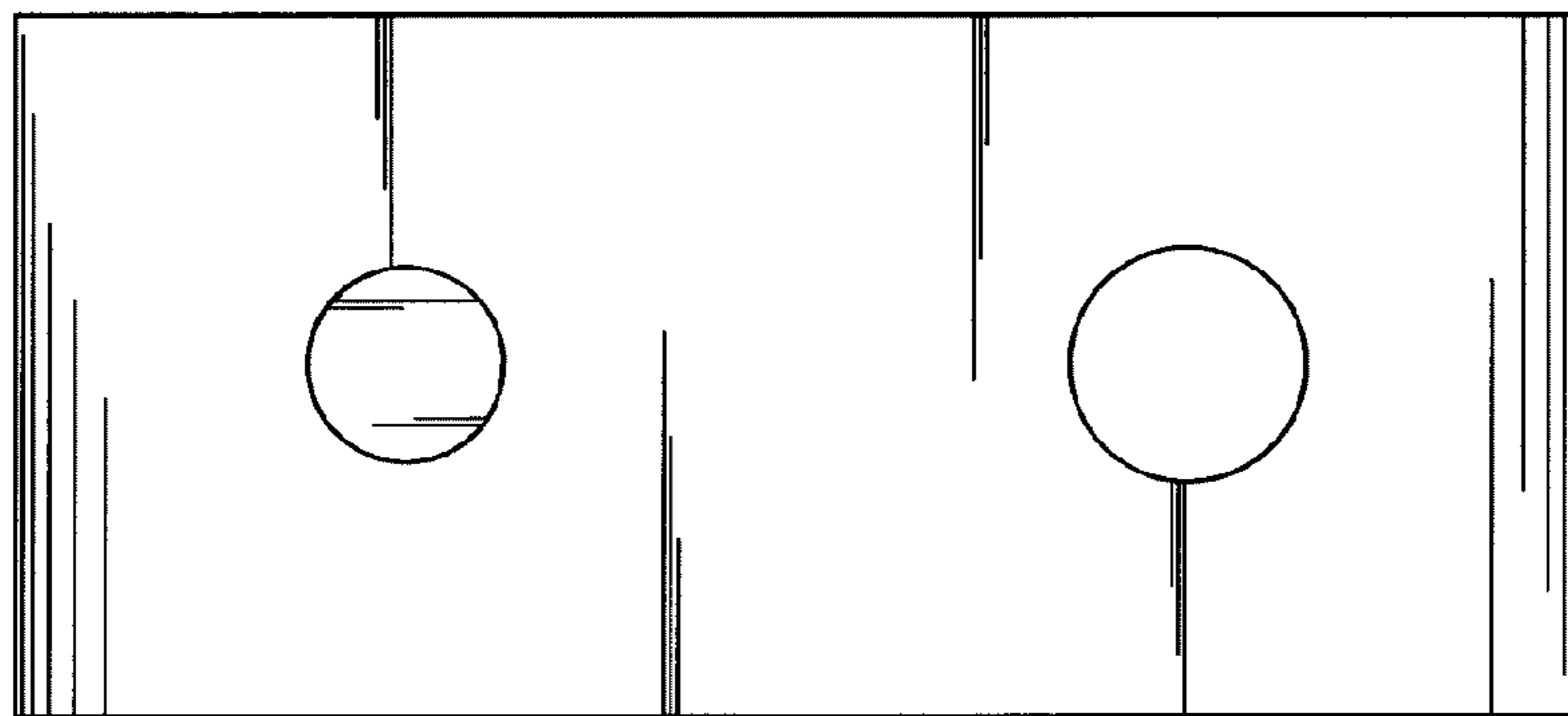


FIG. 5