

US00D647054S

(12) **United States Design Patent**
Fujii et al.

(10) **Patent No.:** **US D647,054 S**

(45) **Date of Patent:** **** Oct. 18, 2011**

(54) **MULTI-SOURCE MICRO USB CHARGER**

(75) Inventors: **Tami Fujii**, Bellevue, WA (US);
Douglas Wegener, Seattle, WA (US);
Teresa Olding, Seattle, WA (US); **David Thorpe**,
Portland, OR (US); **Meral Middleton**, Portland, OR (US);
Idefonso Resuello, Portland, OR (US);
Pierre Harper, Portland, OR (US);
Hector Nunez Realubit, Pasadena, CA (US);
Mario A. C. Escamilla, Irwindale, CA (US)

(73) Assignee: **T-Mobile USA, Inc.**, Bellevue, WA (US)

(**) Term: **14 Years**

(21) Appl. No.: **29/365,976**

(22) Filed: **Jul. 16, 2010**

(51) **LOC (9) Cl.** **13-02**

(52) **U.S. Cl.** **D13/108; D13/144**

(58) **Field of Classification Search** D13/107-110,
D13/118-119, 133, 144, 184; D14/155,
D14/432, 434, 435.1, 356, 480.1-480.7;
320/107-115; 439/300, 620.01, 638, 668-669,
439/675, 825; 363/146

See application file for complete search history.

(56) **References Cited**

U.S. PATENT DOCUMENTS

D349,098 S *	7/1994	Poon	D13/144
D505,389 S *	5/2005	Chang	D13/107
D519,994 S *	5/2006	Kettula et al.	D14/248
D543,940 S *	6/2007	Hussaini et al.	D13/144
D546,287 S *	7/2007	Tanishita	D13/144
D554,059 S *	10/2007	Hsu	D13/110

D566,887 S *	4/2008	Hui	D27/141
D569,342 S *	5/2008	Suzuki	D13/110
D585,825 S *	2/2009	Ji	D13/108
D589,501 S *	3/2009	Avicola et al.	D14/240
D597,938 S *	8/2009	Lee et al.	D13/108
D610,094 S *	2/2010	Ouimette et al.	D13/144
2004/0036442 A1 *	2/2004	Wu	320/107
2005/0057218 A1 *	3/2005	Chen	320/115
2008/0284371 A1 *	11/2008	Hsu	320/111

* cited by examiner

Primary Examiner — Rosemary K Tarcza

(74) *Attorney, Agent, or Firm* — Lee & Hayes, PLLC

(57) **CLAIM**

The ornamental design for a multi-source micro USB charger, as shown and described.

DESCRIPTION

FIG. 1 is a perspective view of a multi-source micro USB charger, taken from the top, right and back;

FIG. 2 is a top plan view of the multi-source micro USB charger of FIG. 1;

FIG. 3 is a bottom plan view of the multi-source micro USB charger of FIG. 1;

FIG. 4 is a front elevation view of the multi-source micro USB charger of FIG. 1;

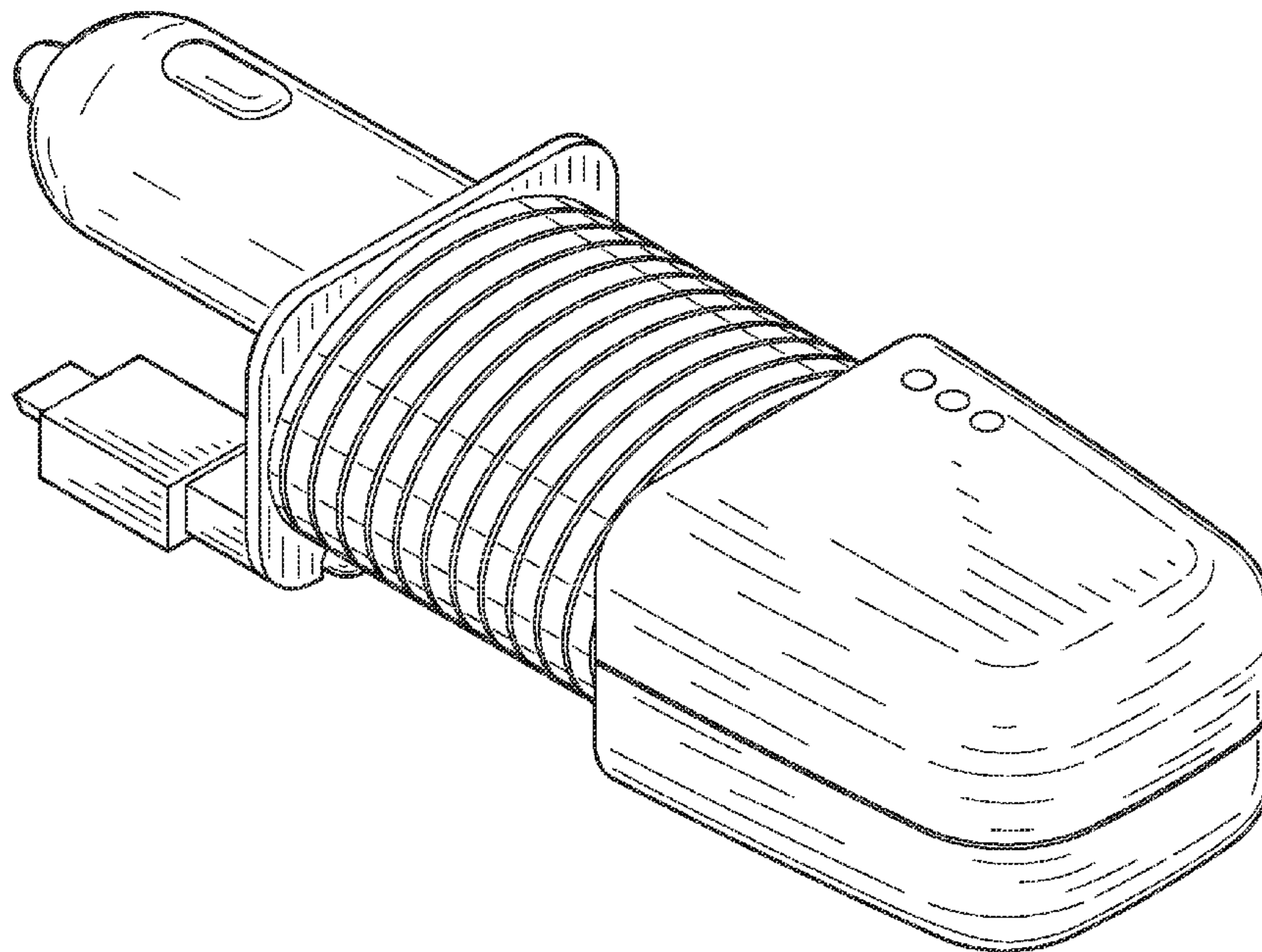
FIG. 5 is a back elevation view of the multi-source micro USB charger of FIG. 1;

FIG. 6 is a left side elevation view of the multi-source micro USB charger of FIG. 1; and,

FIG. 7 is a right side elevation view of the multi-source micro USB charger of FIG. 1.

The broken lines are directed to environment and are for illustrative purposes only. The broken lines form no part of the claimed design.

1 Claim, 4 Drawing Sheets



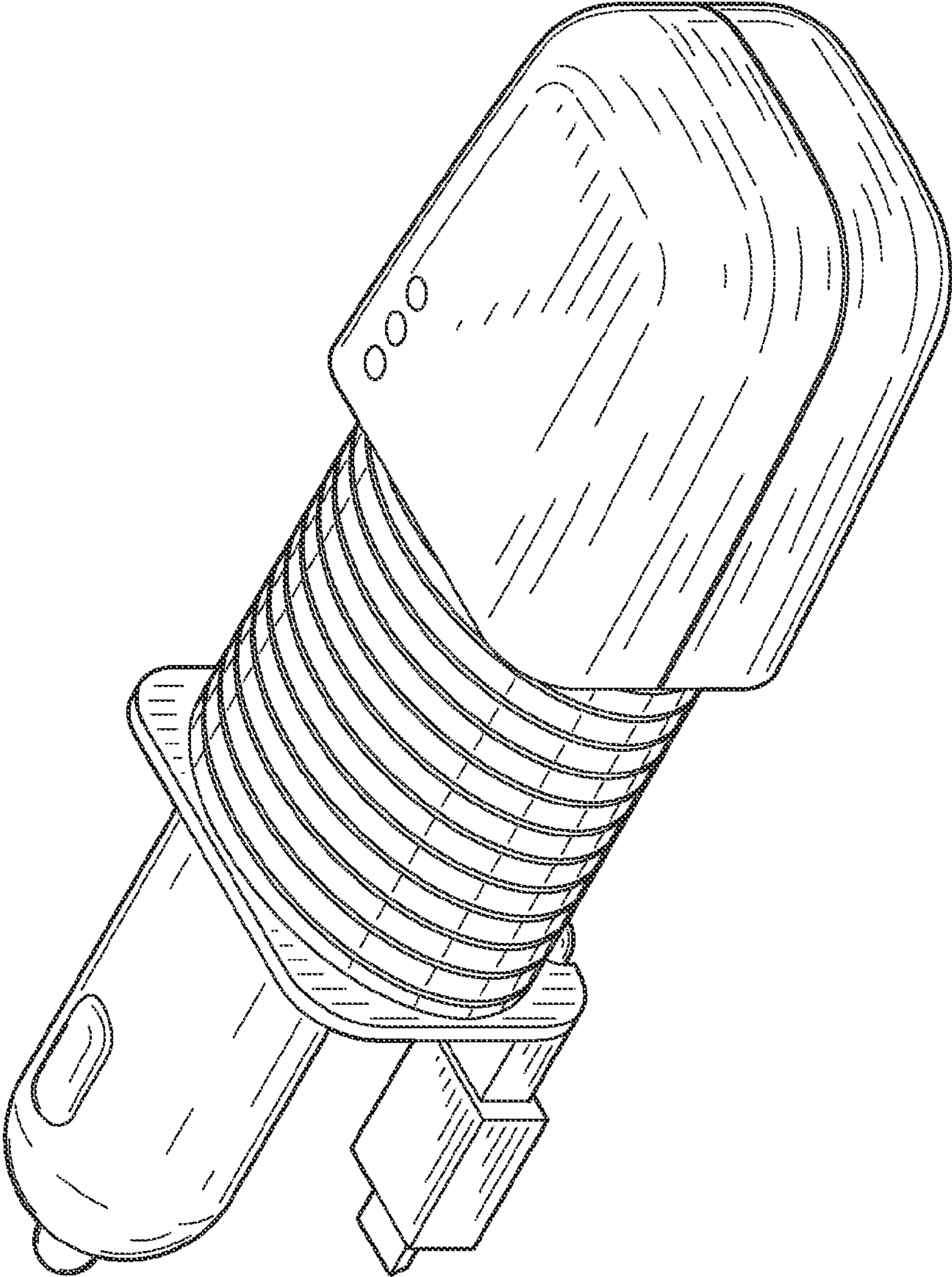


FIG. 1

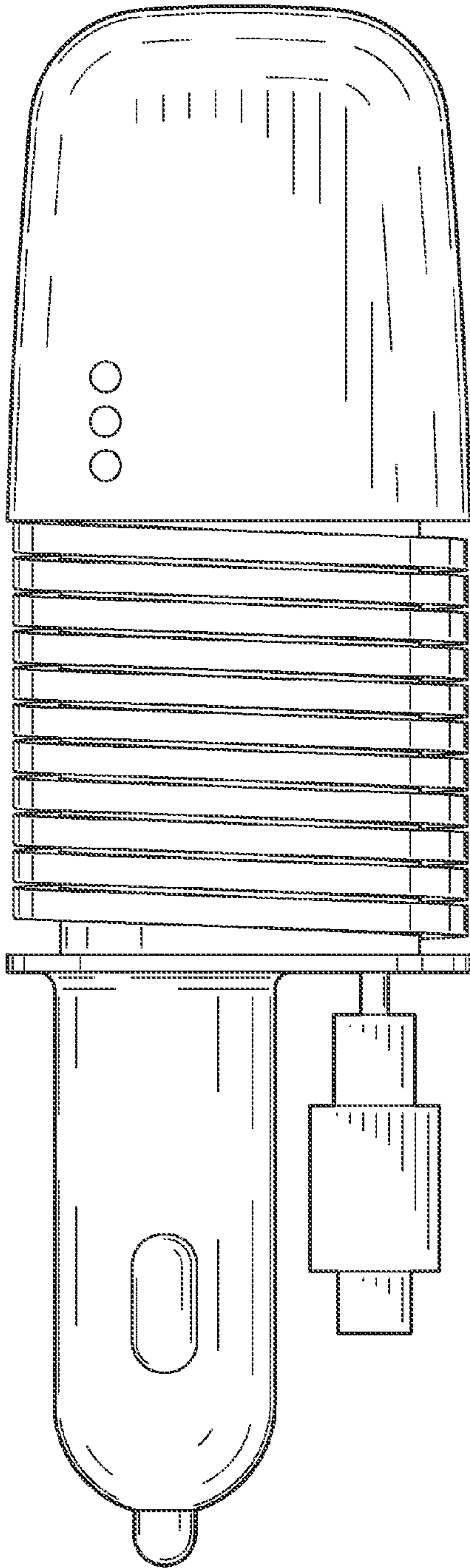


FIG. 2

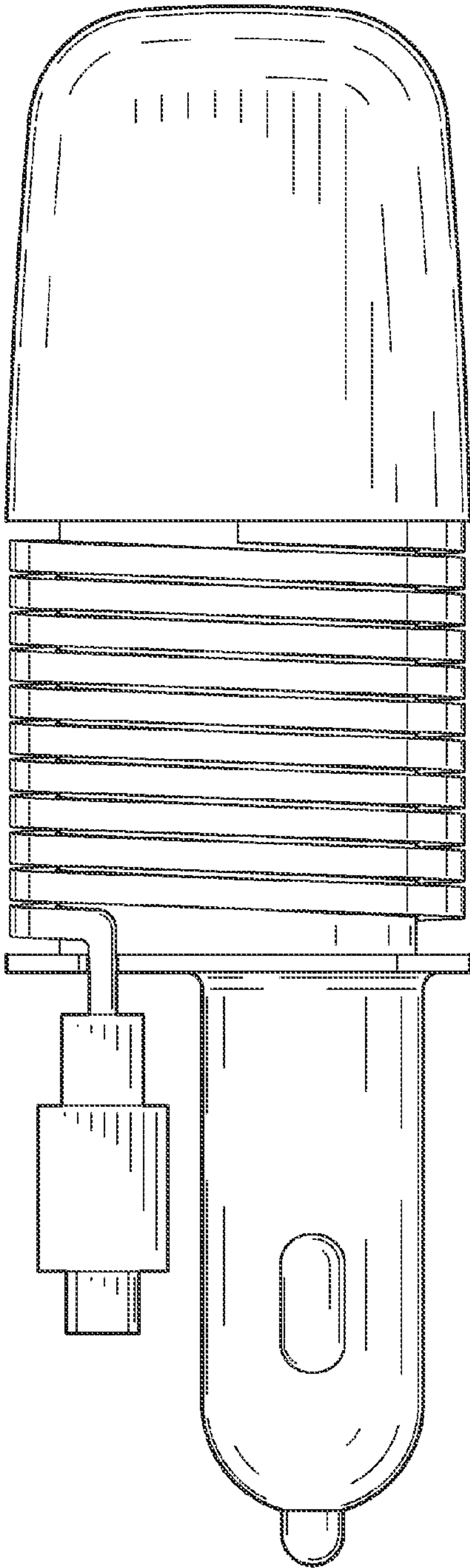


FIG. 3

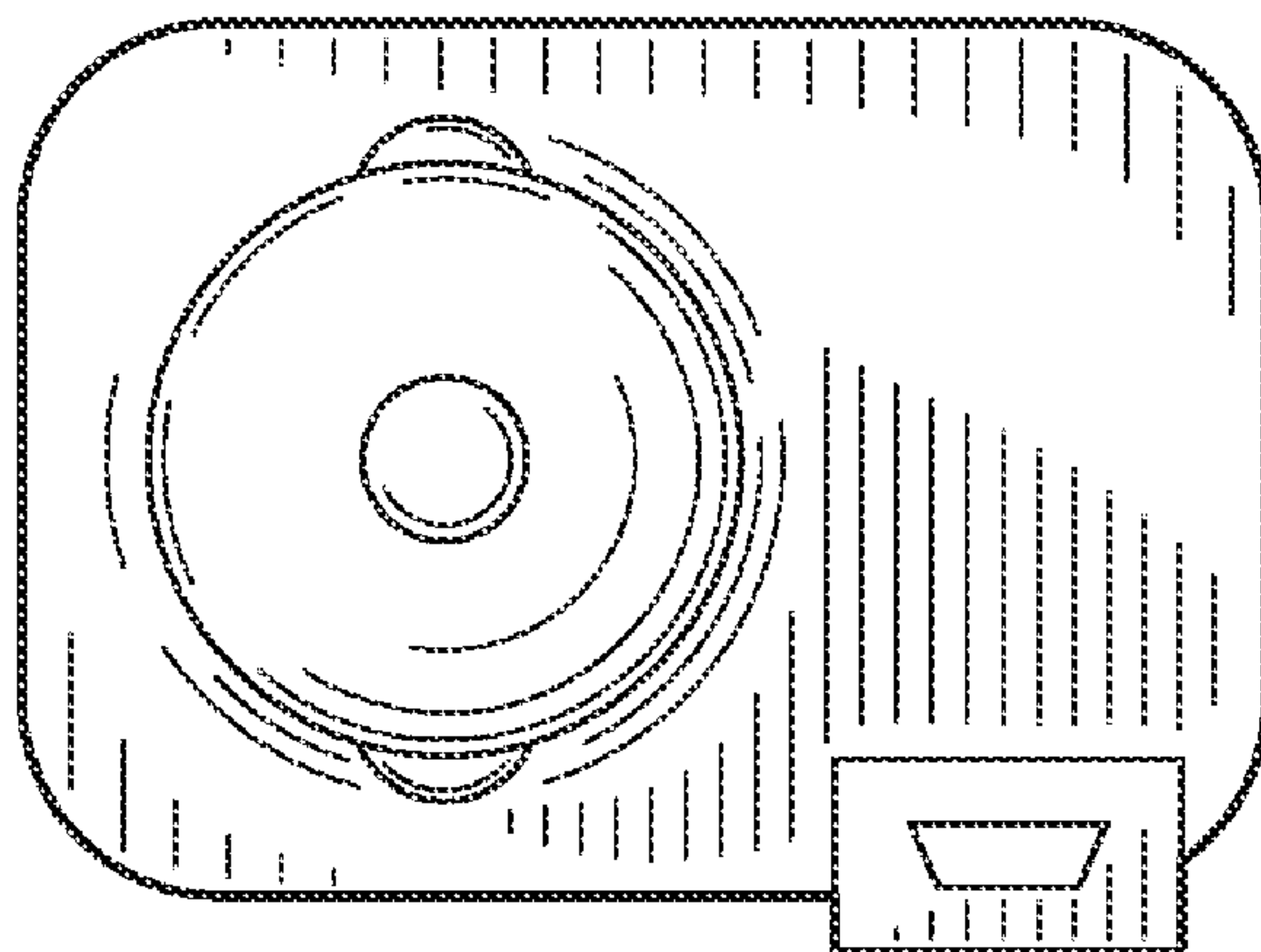


FIG. 4

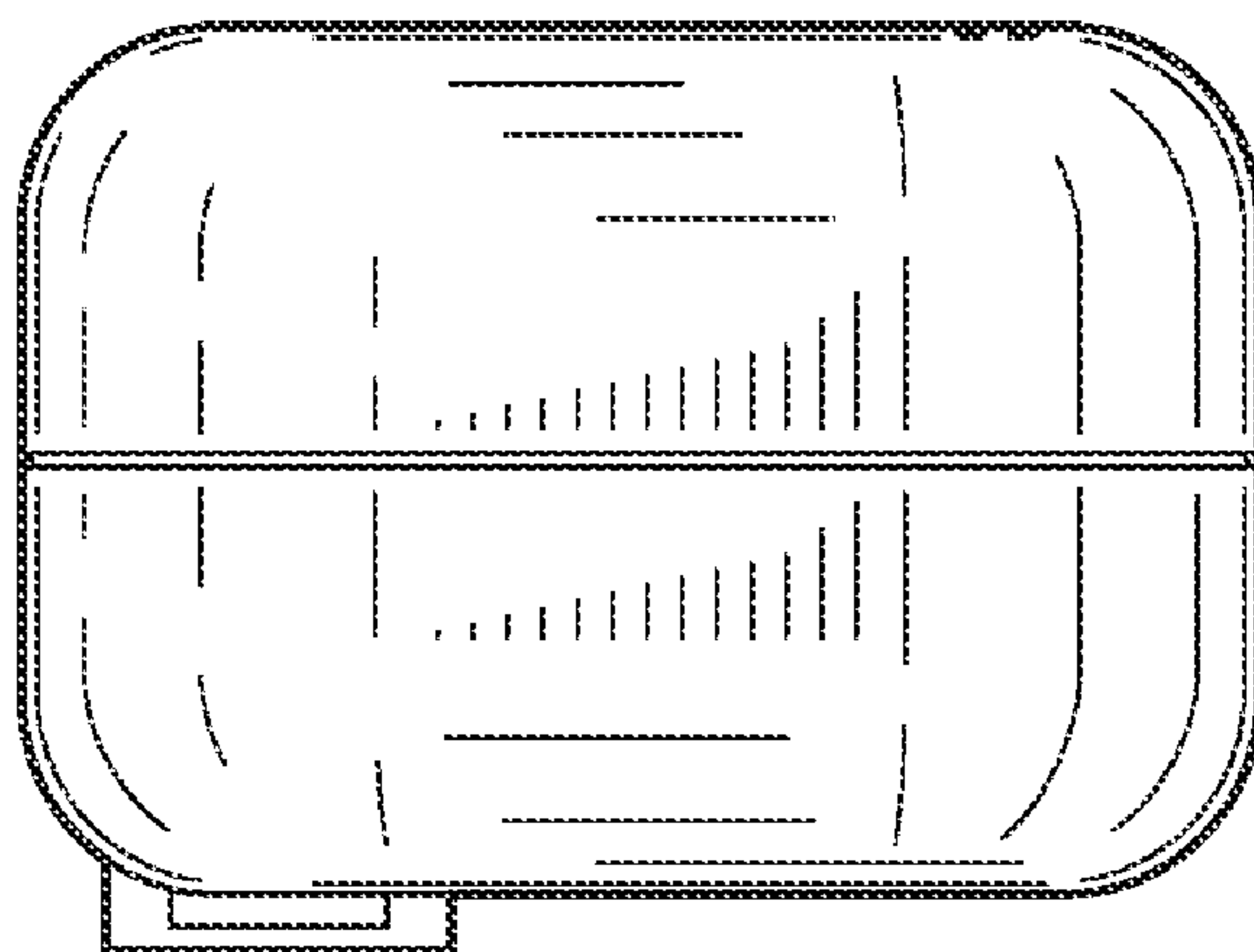


FIG. 5

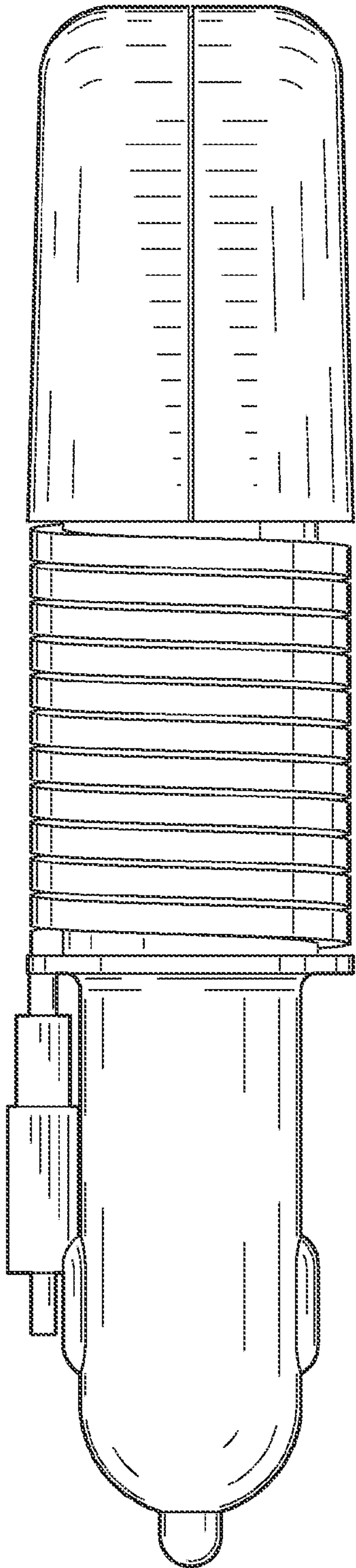


FIG. 6

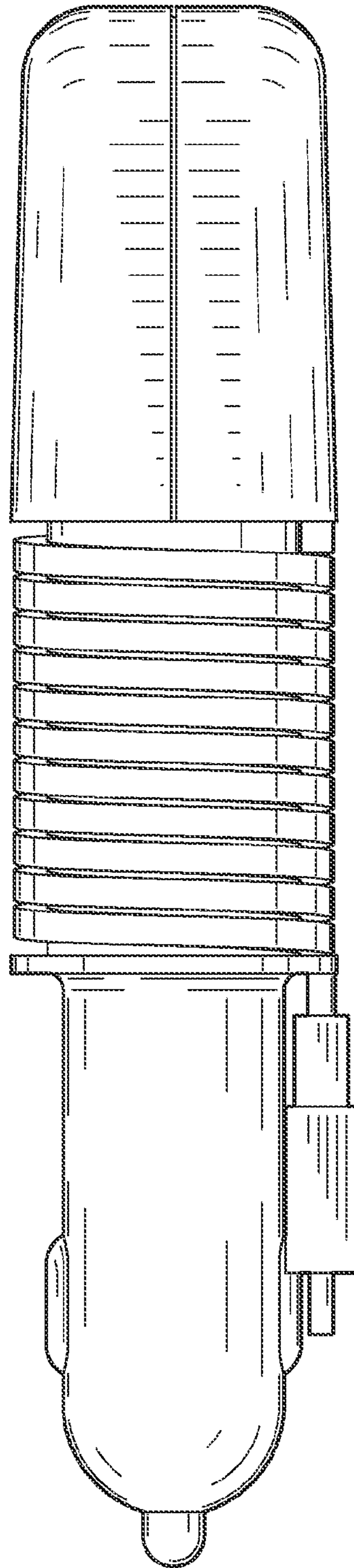


FIG. 7