



US00D647051S

(12) **United States Design Patent**
Qualls et al.

(10) **Patent No.:** **US D647,051 S**

(45) **Date of Patent:** **** Oct. 18, 2011**

(54) **SPIRAL WOUND BATTERY**

(75) Inventors: **Lee Qualls**, Milton, GA (US); **Layna Mendlinger**, Milton, GA (US); **John Bear**, Milton, GA (US); **Scott Cronrath**, Milton, GA (US); **Brian Westbrook**, Milton, GA (US); **Nick Kovalkevich**, Milton, GA (US); **T. Bruce Montgomery**, Milton, GA (US); **David Thimm**, Walled Lake, MI (US)

(73) Assignee: **Exide Technologies**, Milton, GA (US)

(**) Term: **14 Years**

(21) Appl. No.: **29/378,578**

(22) Filed: **Nov. 5, 2010**
(Under 37 CFR 1.47)

(51) **LOC (9) Cl.** **13-02**

(52) **U.S. Cl.** **D13/106**

(58) **Field of Classification Search** D13/102–106,
D13/110, 118–119, 184, 199; 429/96–100,
429/163, 176

See application file for complete search history.

(56) **References Cited**

U.S. PATENT DOCUMENTS

4,693,949	A *	9/1987	Kellett et al.	429/128
D294,484	S *	3/1988	Kellett et al.	D13/106
D401,551	S *	11/1998	Kim	D13/106
5,895,728	A *	4/1999	Walker et al.	429/53
D458,900	S *	6/2002	Carter et al.	D13/106
D607,405	S *	1/2010	Mack	D13/119
D609,631	S *	2/2010	Mack	D13/104
D621,353	S *	8/2010	Mack	D13/119

D633,863	S *	3/2011	Qualls et al.	D13/106
D633,864	S *	3/2011	Qualls et al.	D13/106
D633,865	S *	3/2011	Qualls et al.	D13/106
D633,866	S *	3/2011	Qualls et al.	D13/106
2004/0170888	A1 *	9/2004	Cummins et al.	429/99

* cited by examiner

Primary Examiner — Rosemary K Tarcza

(74) *Attorney, Agent, or Firm* — Joel T. Charlton

(57) **CLAIM**

The ornamental design for a spiral wound battery, as shown and described.

DESCRIPTION

FIG. 1 is a top perspective view of an embodiment of a battery in accordance with the present invention. The battery includes terminals on the top and on the side, curved portions in the front and back, vertically ribbed portions on the sides, and rounded, protruding shoulder portions at each of the eight corners of the battery. In addition, the battery includes a series of small notches in a horizontal arrangement along a bottom portion of the front and back of the battery. The sides of the battery are recessed inwardly.

FIG. 2 is a front view of a spiral wound battery in accordance with the FIG. 1 embodiment.

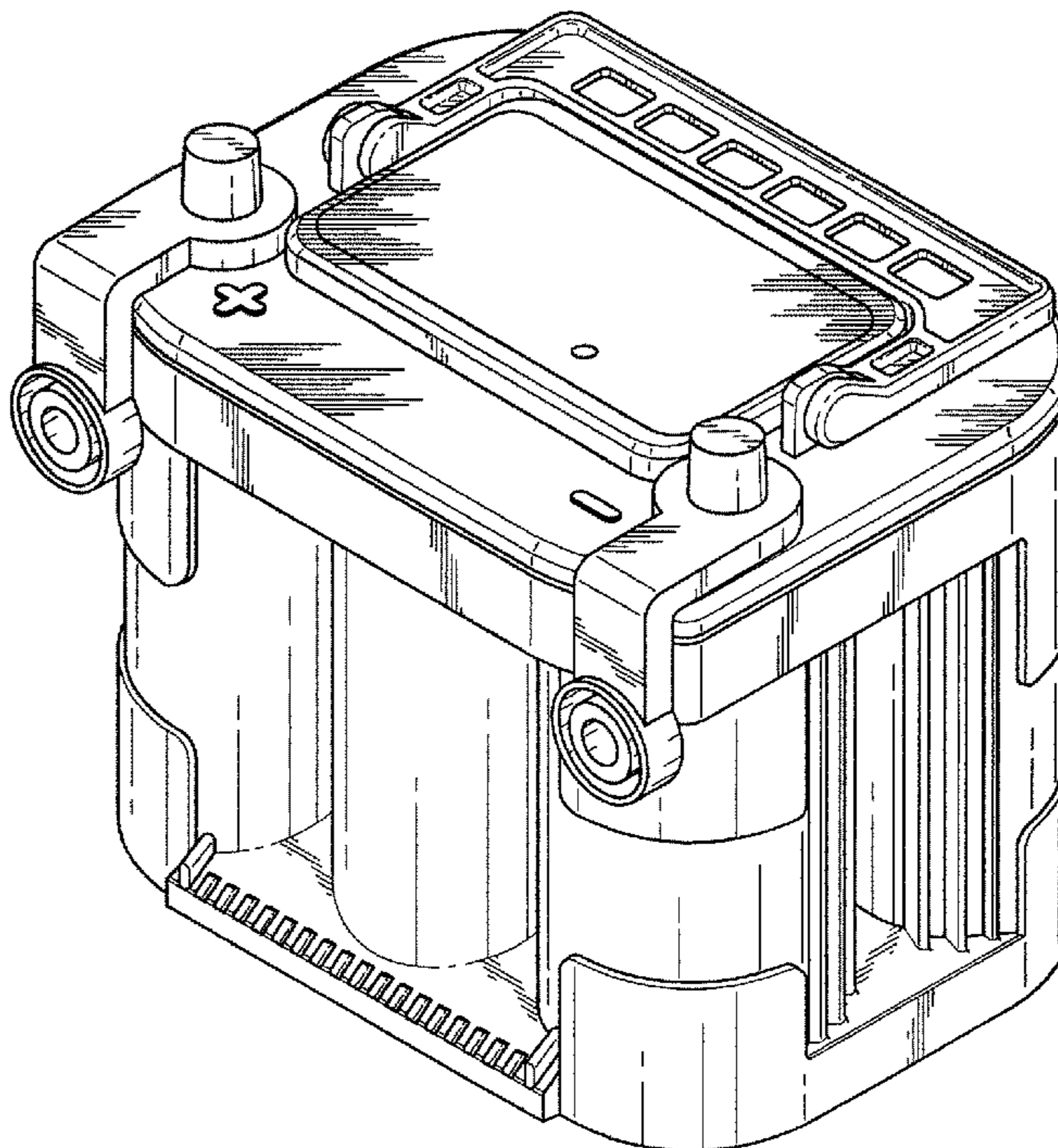
FIG. 3 is a top view of a spiral wound battery in accordance with the FIG. 1 embodiment.

FIG. 4 is a side view of a spiral wound battery in accordance with the FIG. 1 embodiment.

FIG. 5 is a back view of a spiral wound battery in accordance with the FIG. 1 embodiment; and,

FIG. 6 is a bottom view of a spiral wound battery in accordance with the FIG. 1 embodiment.

1 Claim, 6 Drawing Sheets



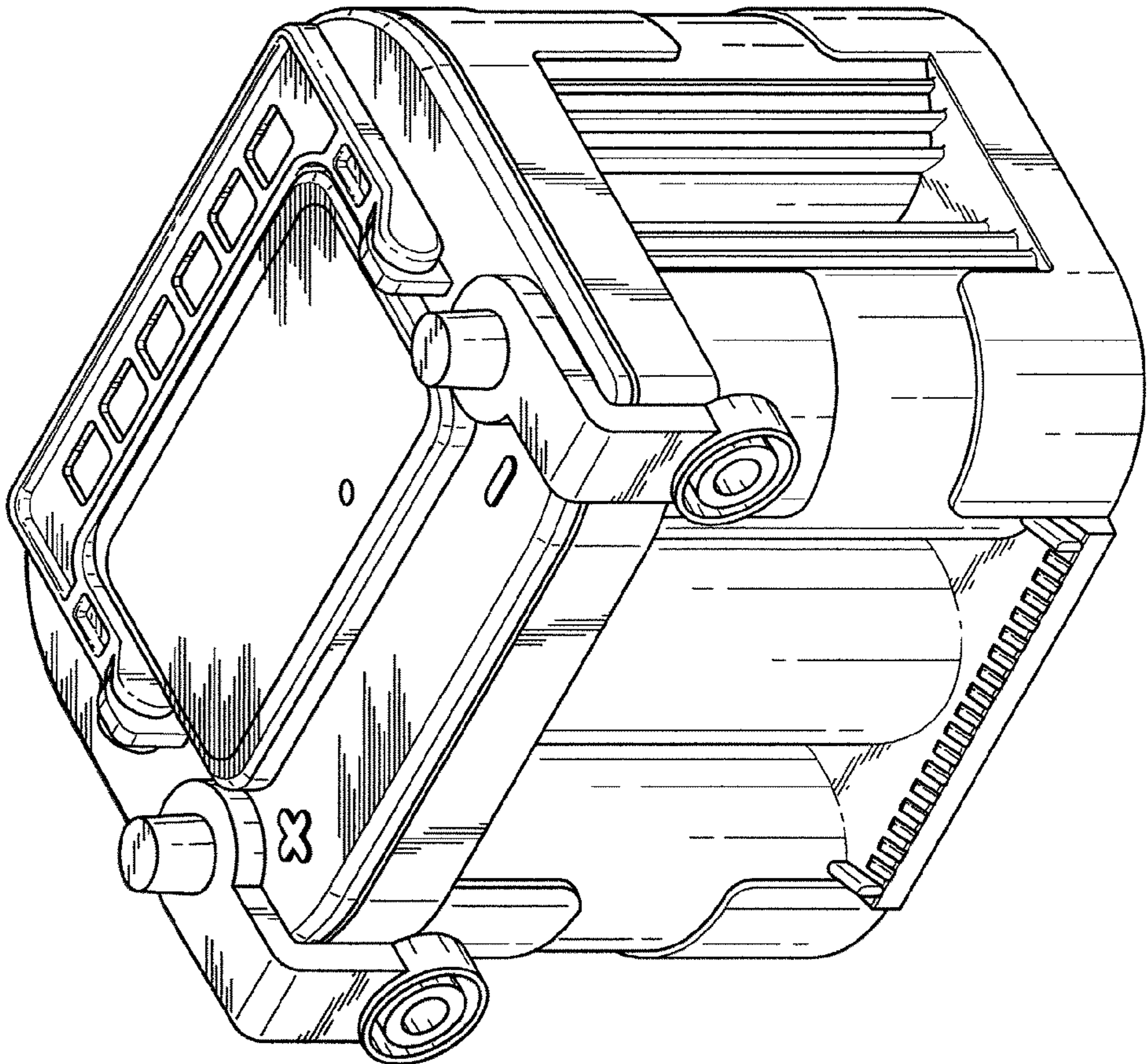


FIG. 1

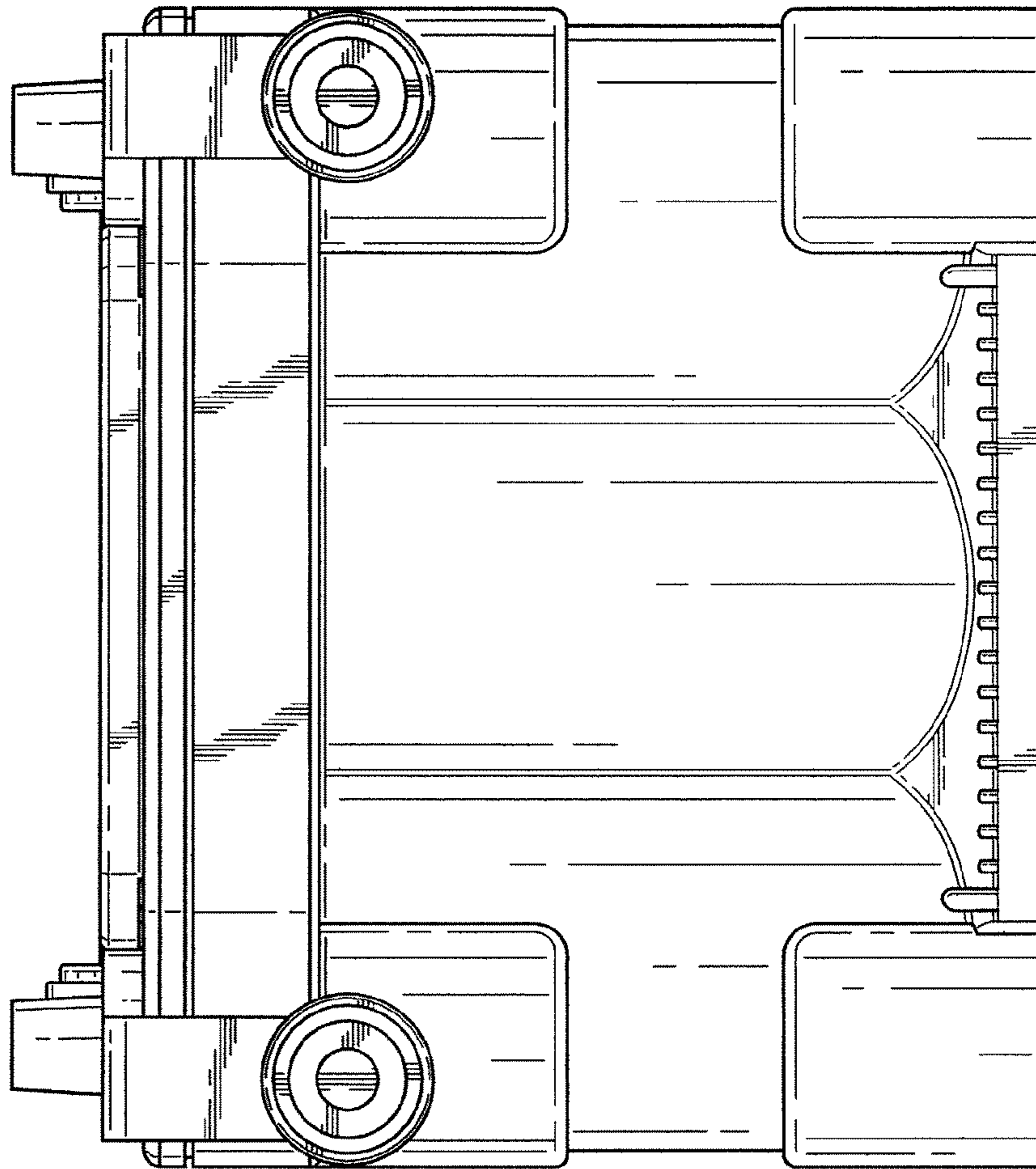


FIG. 2

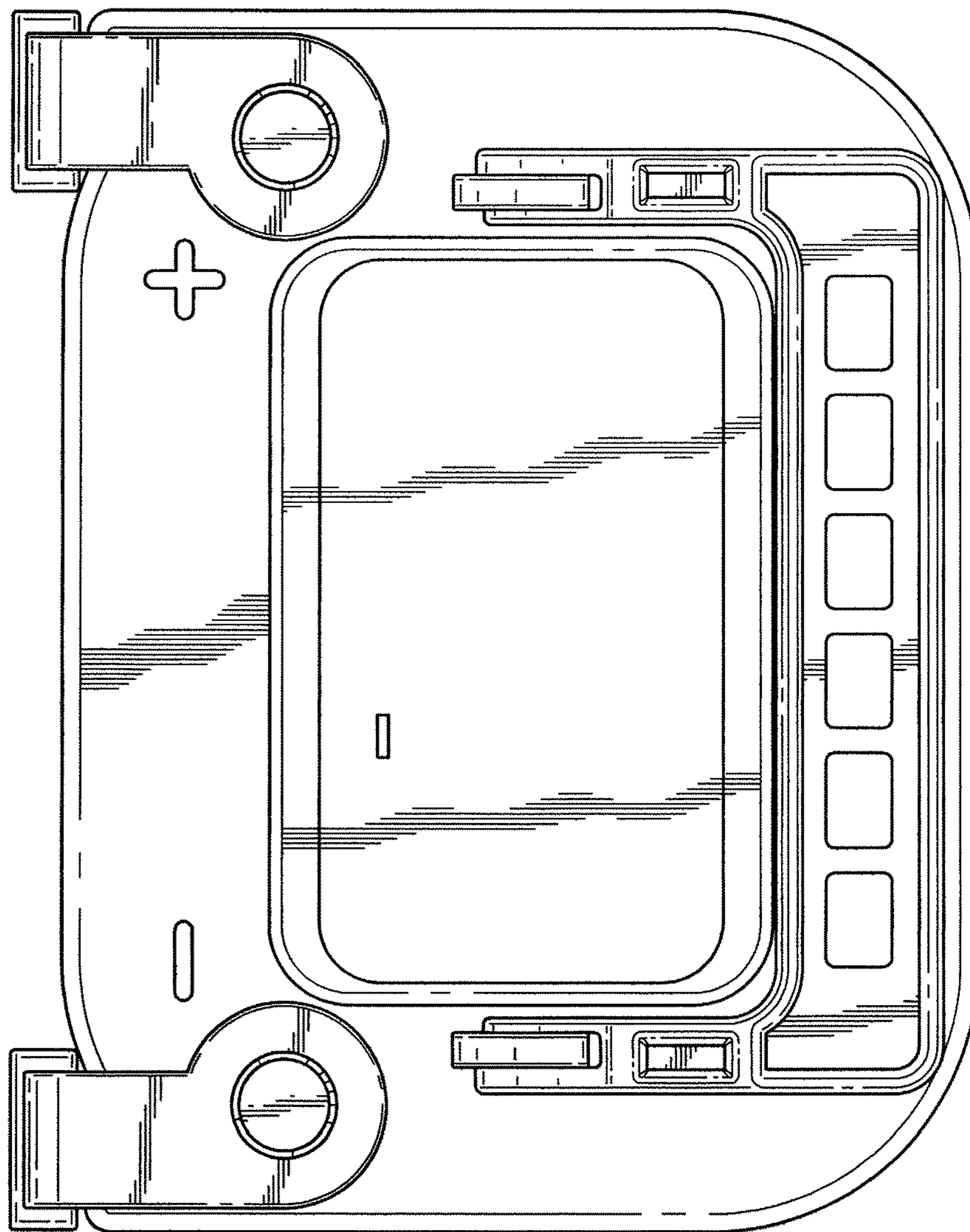


FIG. 3

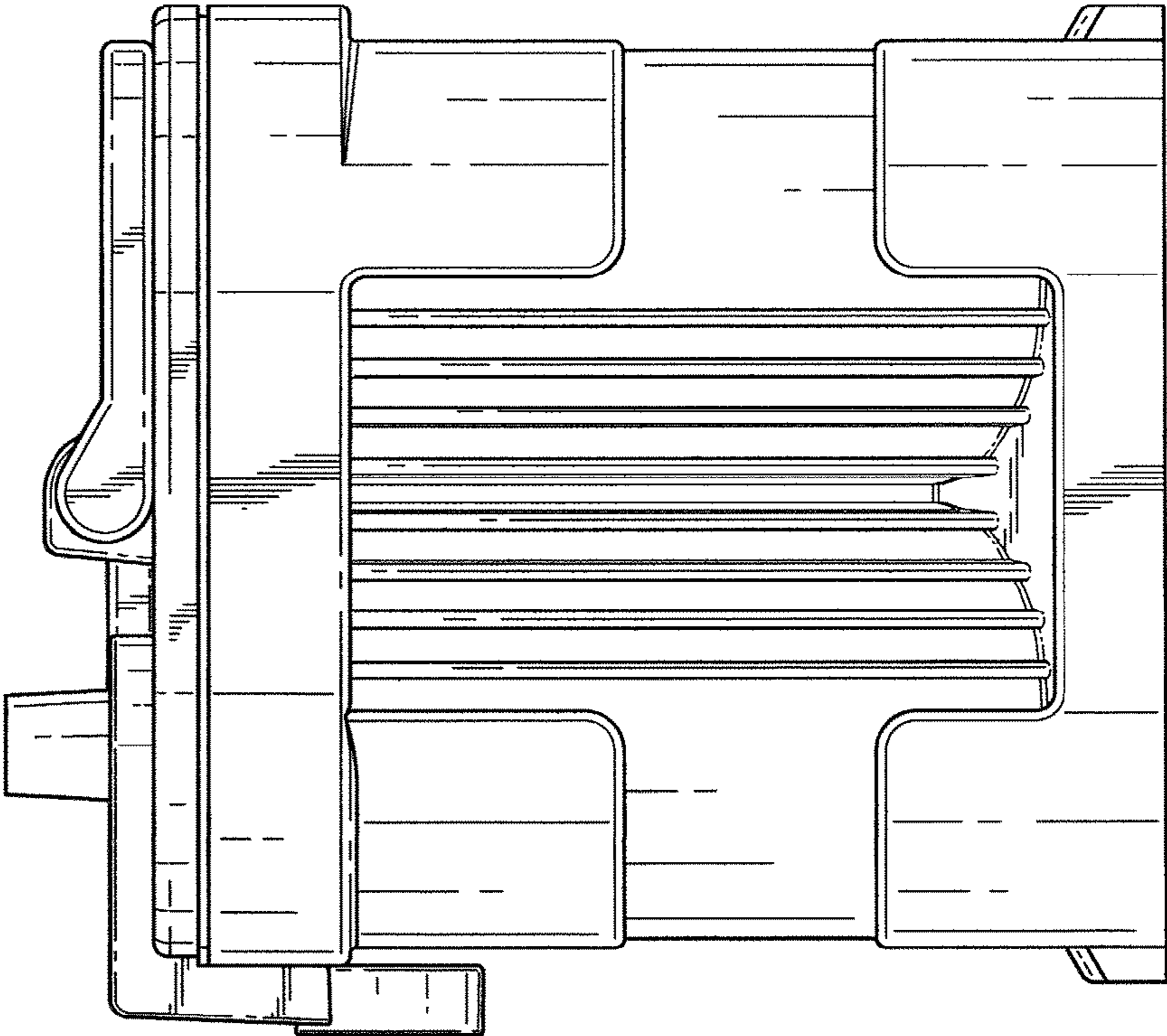


FIG. 4

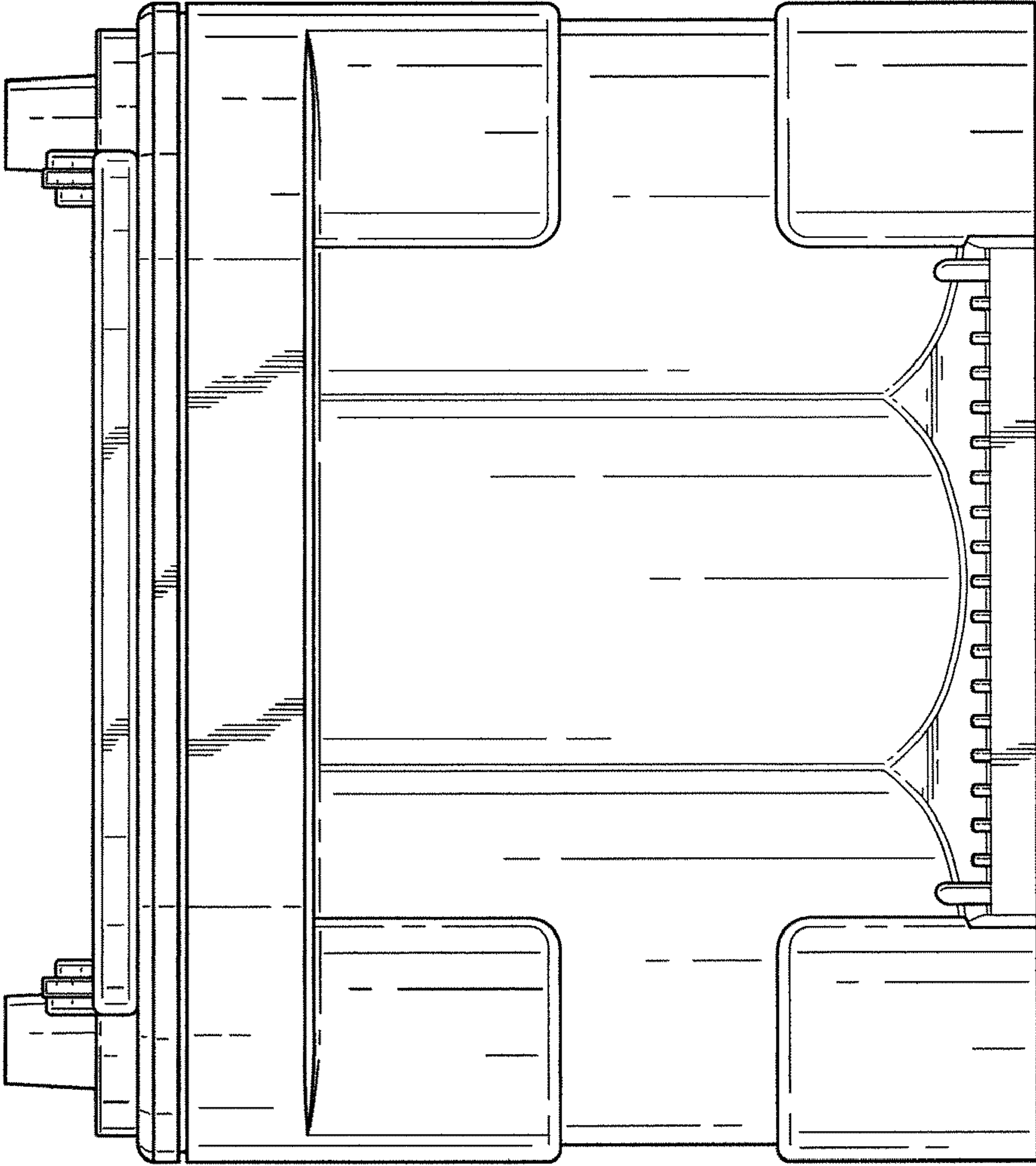


FIG. 5

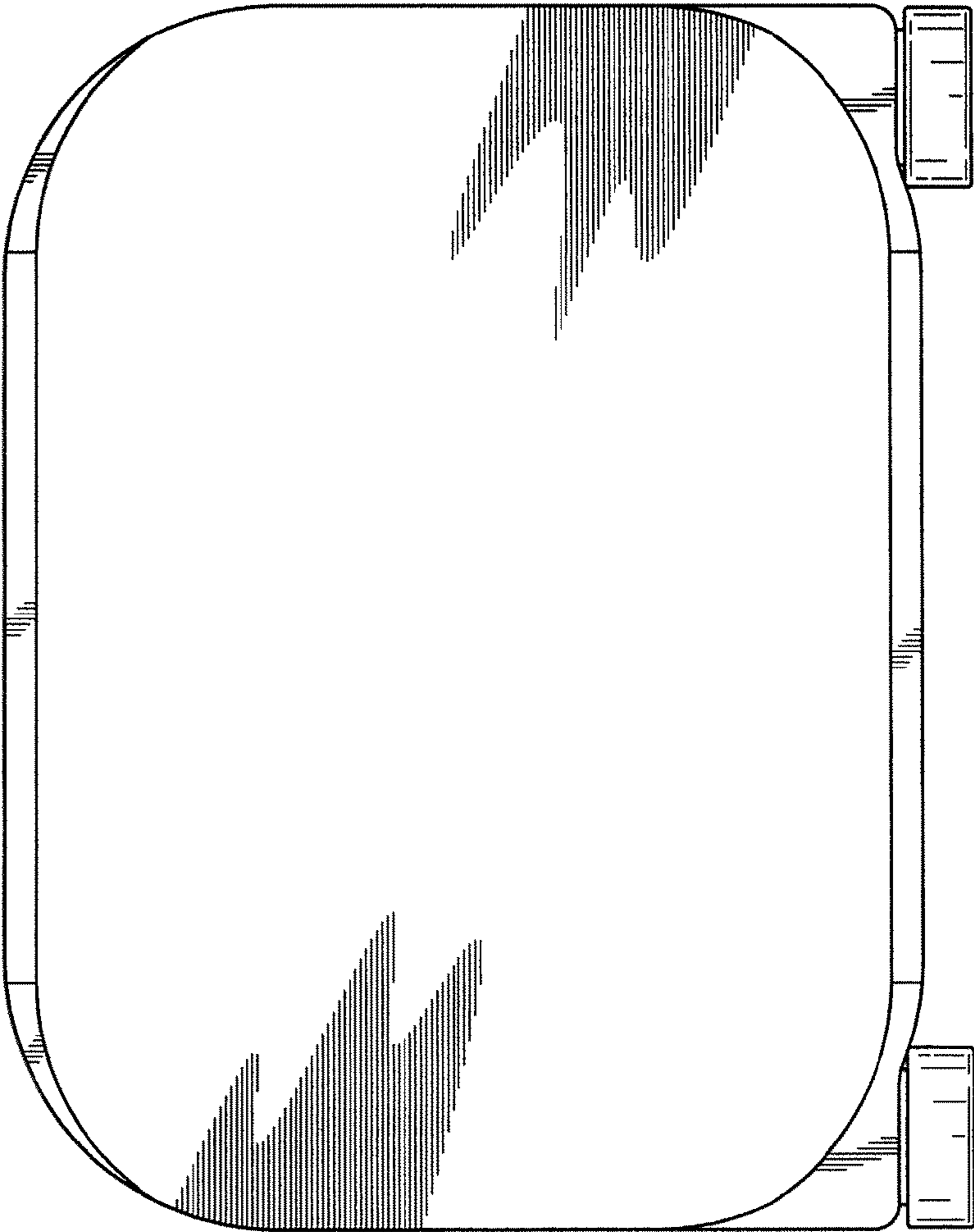


FIG. 6