



US00D647050S

(12) **United States Design Patent**
Tu

(10) **Patent No.:** **US D647,050 S**

(45) **Date of Patent:** **** Oct. 18, 2011**

(54) **BATTERY**

(76) Inventor: **Ta Sen Tu**, Taichung (TW)

(**) Term: **14 Years**

(21) Appl. No.: **29/385,808**

(22) Filed: **Feb. 21, 2011**

(51) **LOC (9) Cl.** **13-02**

(52) **U.S. Cl.** **D13/103**

(58) **Field of Classification Search** D13/102–106,
D13/110, 118–119, 184, 199; 429/96–100,
429/163, 176

See application file for complete search history.

(56) **References Cited**

U.S. PATENT DOCUMENTS

D343,381	S	*	1/1994	Inukai et al.	D13/107
5,665,485	A	*	9/1997	Kuwayama et al.	429/100
D405,754	S	*	2/1999	Barkley et al.	D13/103
D480,355	S	*	10/2003	Pepin et al.	D13/103
D490,772	S	*	6/2004	Chu	D13/103
D555,586	S	*	11/2007	McConnell	D13/103
D601,088	S	*	9/2009	Scheucher	D13/103
D608,735	S	*	1/2010	Kashimoto	D13/110
D614,125	S	*	4/2010	Tinius	D13/103
D624,011	S	*	9/2010	Bertagnole et al.	D13/103

D631,835	S	*	2/2011	Neidhart	D13/103
D632,643	S	*	2/2011	Tanaka et al.	D13/103
D635,507	S	*	4/2011	Ueda et al.	D13/103

* cited by examiner

Primary Examiner — Rosemary K Tarca

(57) **CLAIM**

The ornamental design for a battery, as shown and described.

DESCRIPTION

FIG. 1 is a perspective view of a battery showing my new design

FIG. 2 is a front elevational view thereof

FIG. 3 is a rear elevational view thereof.

FIG. 4 is a left side view thereof

FIG. 5 is a right side view thereof

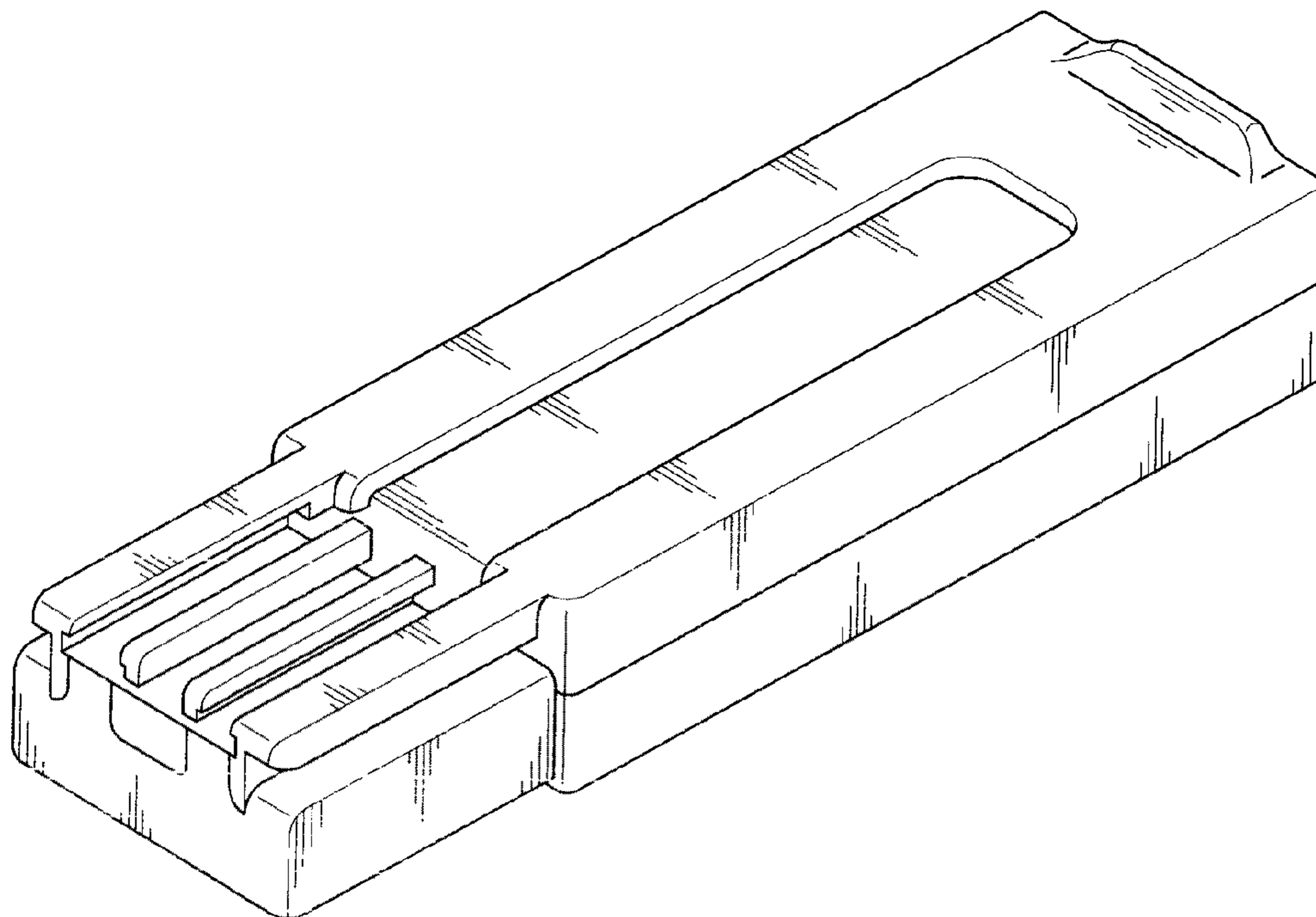
FIG. 6 is a top plan view thereof

FIG. 7 is a bottom plan view thereof; and,

FIG. 8 is a perspective view showing the application of the present invention, where those indicated by dashed lines are not claimed.

The broken lines shown in the drawings are included for the purpose of illustrating environmental structure and form no part of the claimed design.

1 Claim, 5 Drawing Sheets



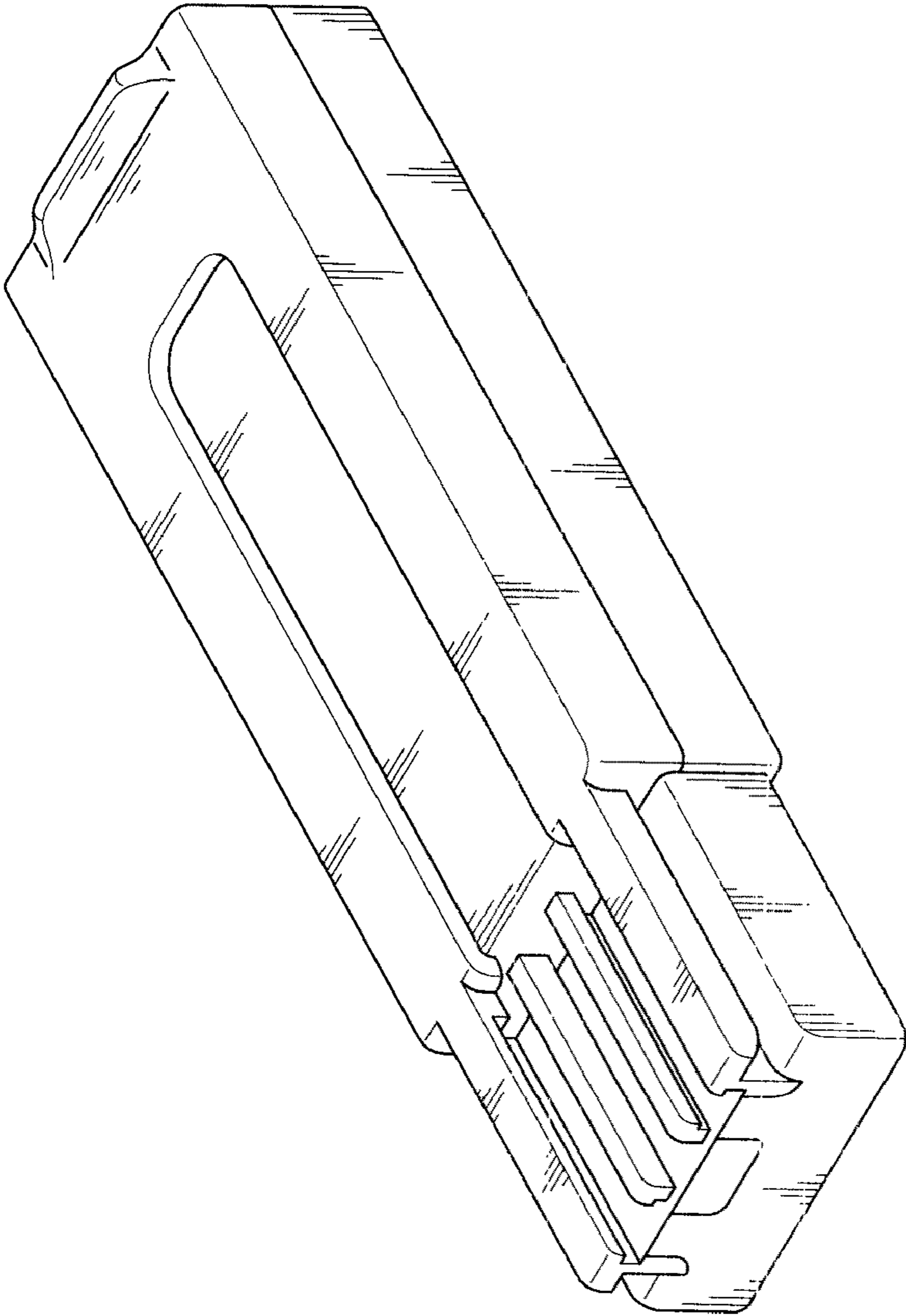


FIG. 1

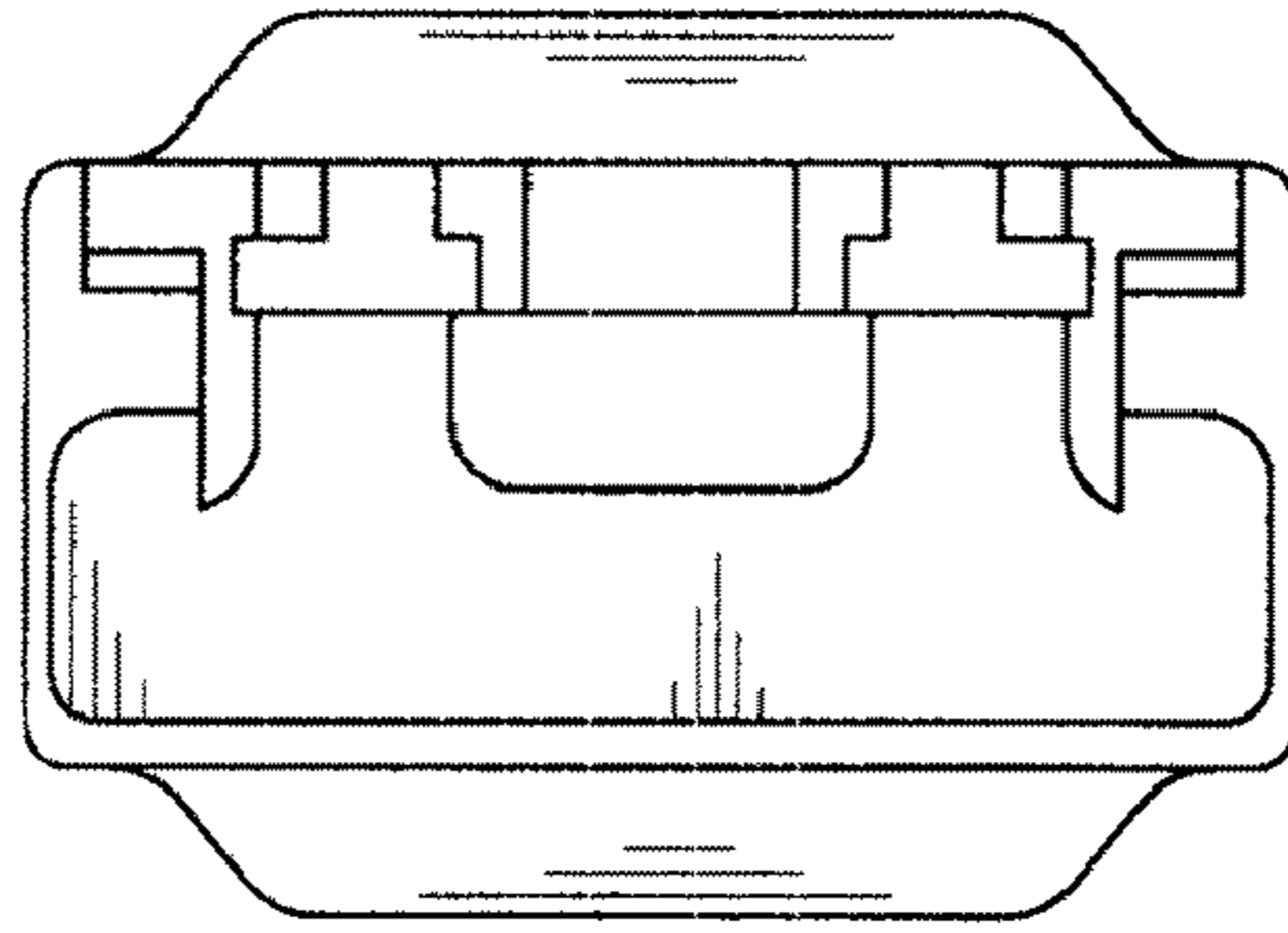


FIG. 2

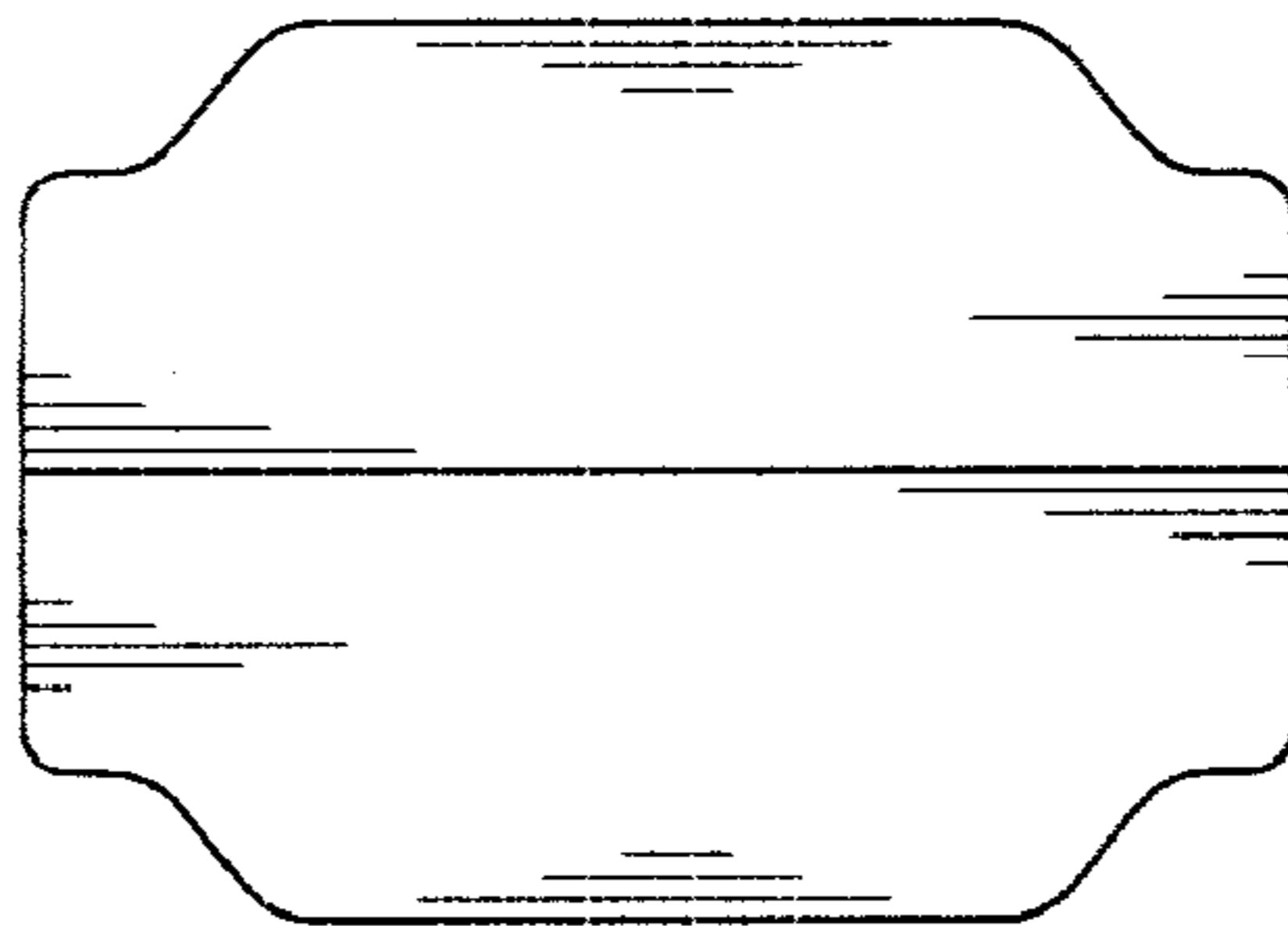


FIG. 3

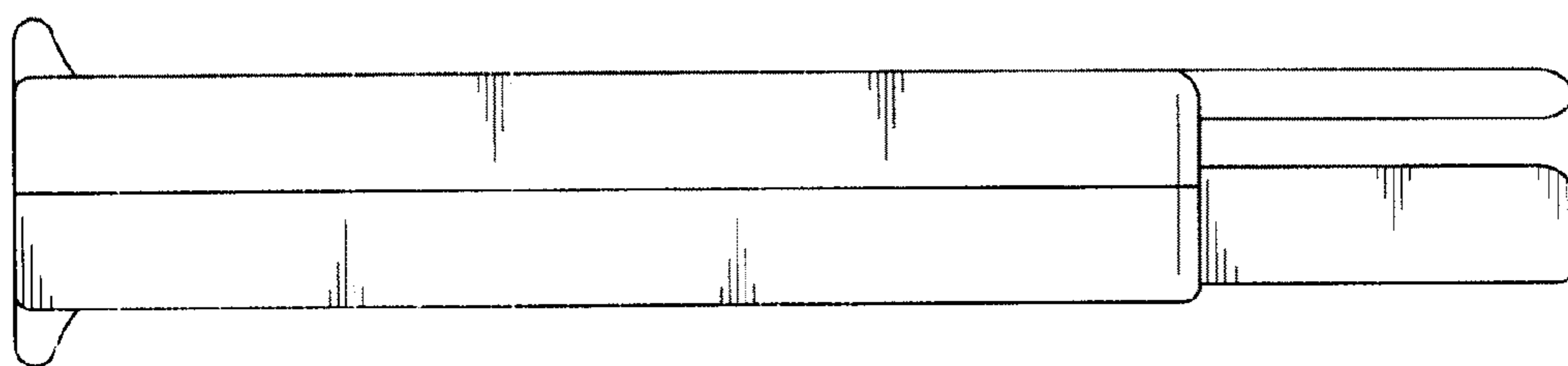


FIG. 4

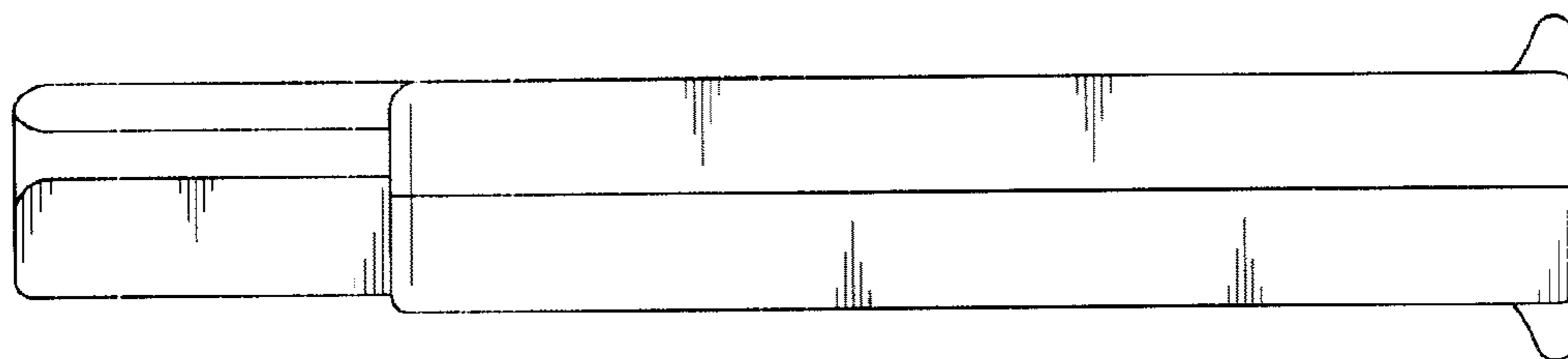


FIG. 5

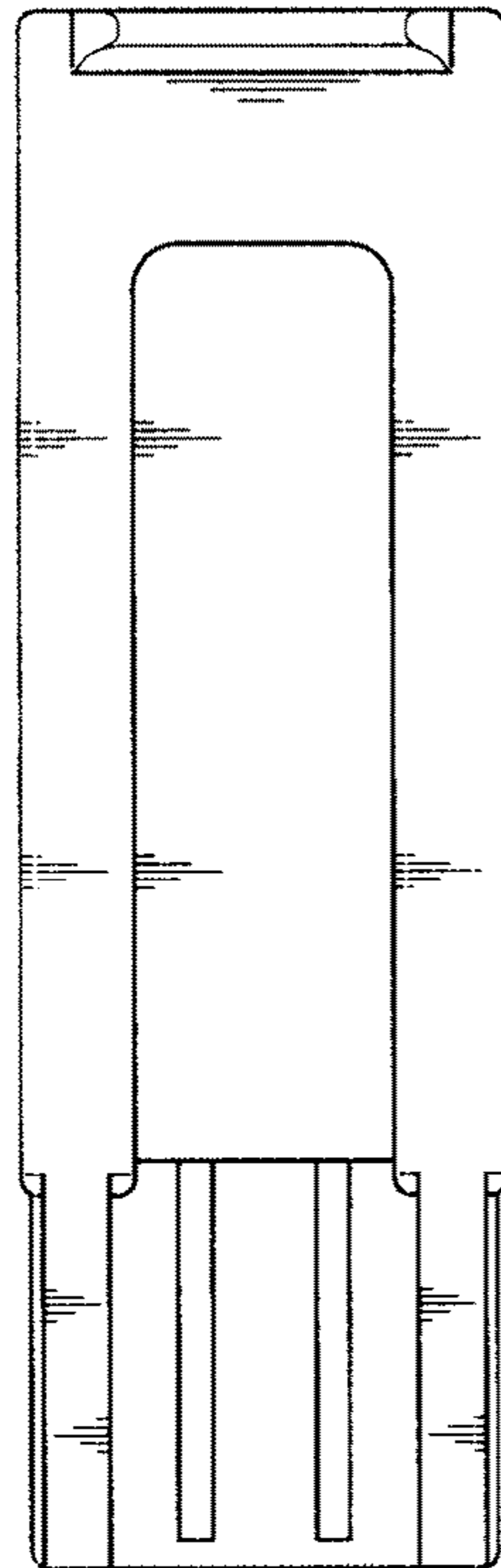


FIG. 6

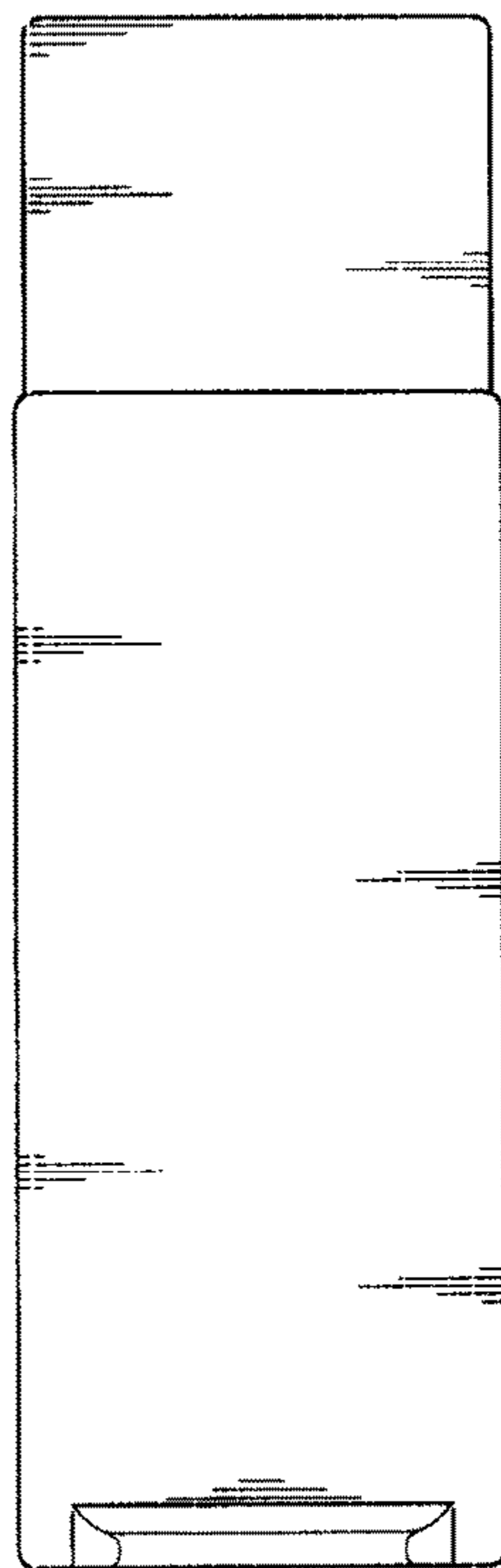


FIG. 7

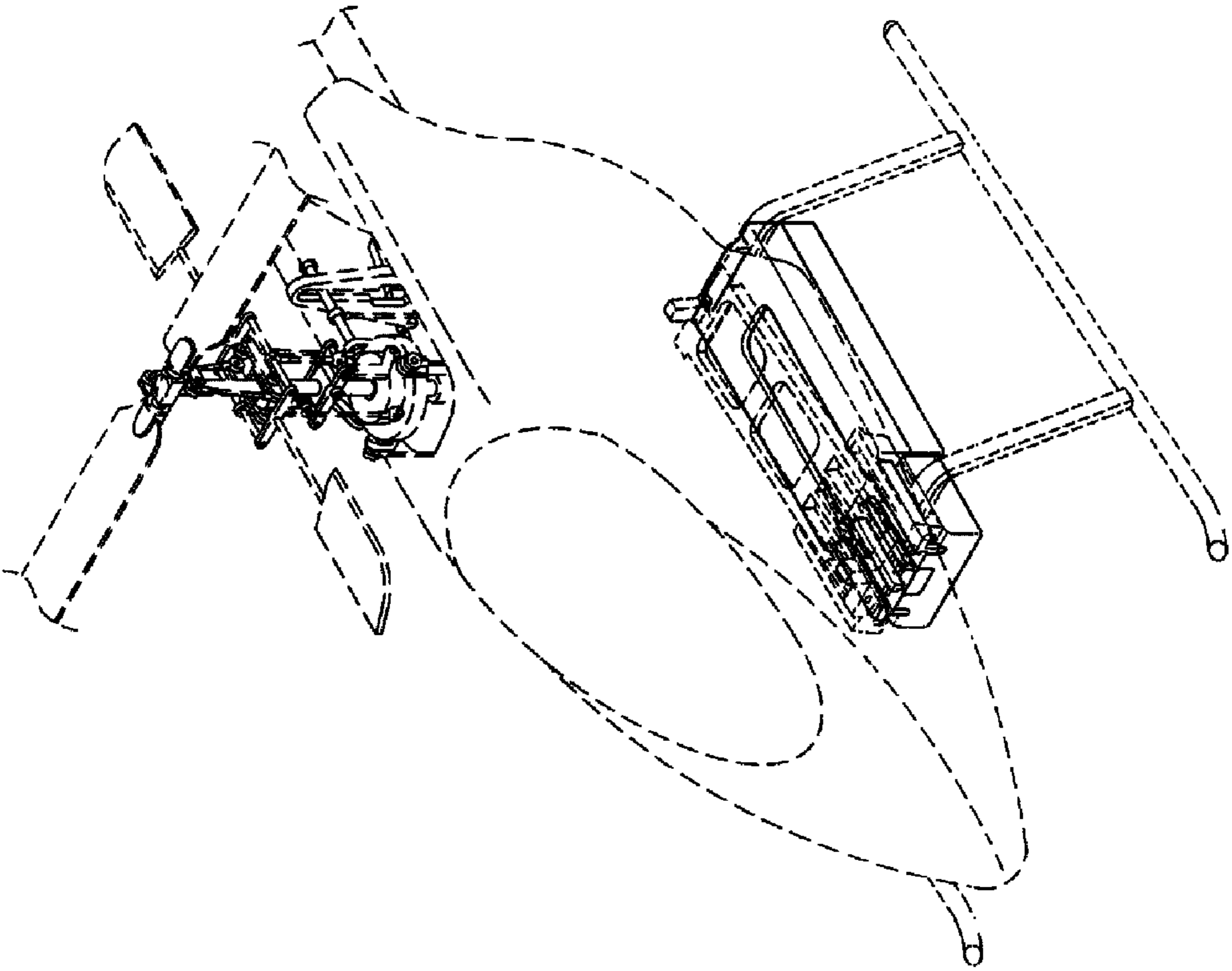


FIG. 8