



US00D647049S

(12) **United States Design Patent**  
**Vaid et al.**

(10) **Patent No.:** **US D647,049 S**  
(45) **Date of Patent:** **\*\* Oct. 18, 2011**

(54) **VENTING ASSEMBLY FOR A  
CONCENTRATING PHOTOVOLTAIC  
SYSTEM MODULE**

(75) Inventors: **Sunil Vaid**, North Brunswick, NJ (US);  
**Peter Allen Zawadzki**, Clinton, NJ  
(US); **Gary D Hering**, Belle Mead, NJ  
(US); **Philip Blumenfeld**, Albuquerque,  
NM (US)

(73) Assignee: **Emcore Solar Power, Inc.**,  
Albuquerque, NM (US)

(\*\*) Term: **14 Years**

(21) Appl. No.: **29/391,956**

(22) Filed: **May 16, 2011**

(51) **LOC (9) Cl.** ..... **13-02**

(52) **U.S. Cl.** ..... **D13/102**

(58) **Field of Classification Search** ..... D13/102,  
D13/101, 103, 184, 199; D9/424, 425, 456,  
D9/732, 756, 757, 758, 759; 52/173.3; 136/206,  
136/243, 244, 245, 246, 251; 206/521.1,  
206/521.15; 244/172.7, 172.8, 173.3; 429/148,  
429/149; 438/66, 69, 80

See application file for complete search history.

(56) **References Cited**

**U.S. PATENT DOCUMENTS**

D236,473	S	*	8/1975	Estes et al.	.....	D13/102
4,097,308	A	*	6/1978	Klein et al.	.....	136/251
4,173,495	A	*	11/1979	Rapp et al.	.....	136/259
D255,657	S	*	7/1980	Florian et al.	.....	D9/758
D258,530	S	*	3/1981	Atkinson	.....	D13/102
D260,282	S	*	8/1981	Fattor	.....	D13/102

D363,879	S	*	11/1995	Krupa et al.	.....	D9/423
5,990,413	A	*	11/1999	Ortabasi	.....	136/244
D487,884	S	*	3/2004	Peress et al.	.....	D13/102
D528,973	S	*	9/2006	Suzuki	.....	D13/102
D591,229	S	*	4/2009	Sharma et al.	.....	D13/102
D597,418	S	*	8/2009	Stojek	.....	D9/732
D602,855	S	*	10/2009	Lu et al.	.....	D13/102
D613,243	S	*	4/2010	Burt	.....	D13/102
2006/0054211	A1	*	3/2006	Meyers	.....	136/246
2009/0301545	A1	*	12/2009	Young et al.	.....	136/246

\* cited by examiner

*Primary Examiner* — Derrick Holland

(57) **CLAIM**

The ornamental design for a venting assembly for a concentrating photovoltaic system module, as shown and described.

**DESCRIPTION**

FIG. 1 is a top perspective view of a venting assembly for a concentrating photovoltaic system module showing our new design;

FIG. 2 is a top plan view thereof;

FIG. 3 is a front elevation view thereof;

FIG. 4 is a rear elevation view thereof;

FIG. 5 is a bottom plan view thereof;

FIG. 6 is a right side elevation view thereof;

FIG. 7 is a left side elevation view thereof;

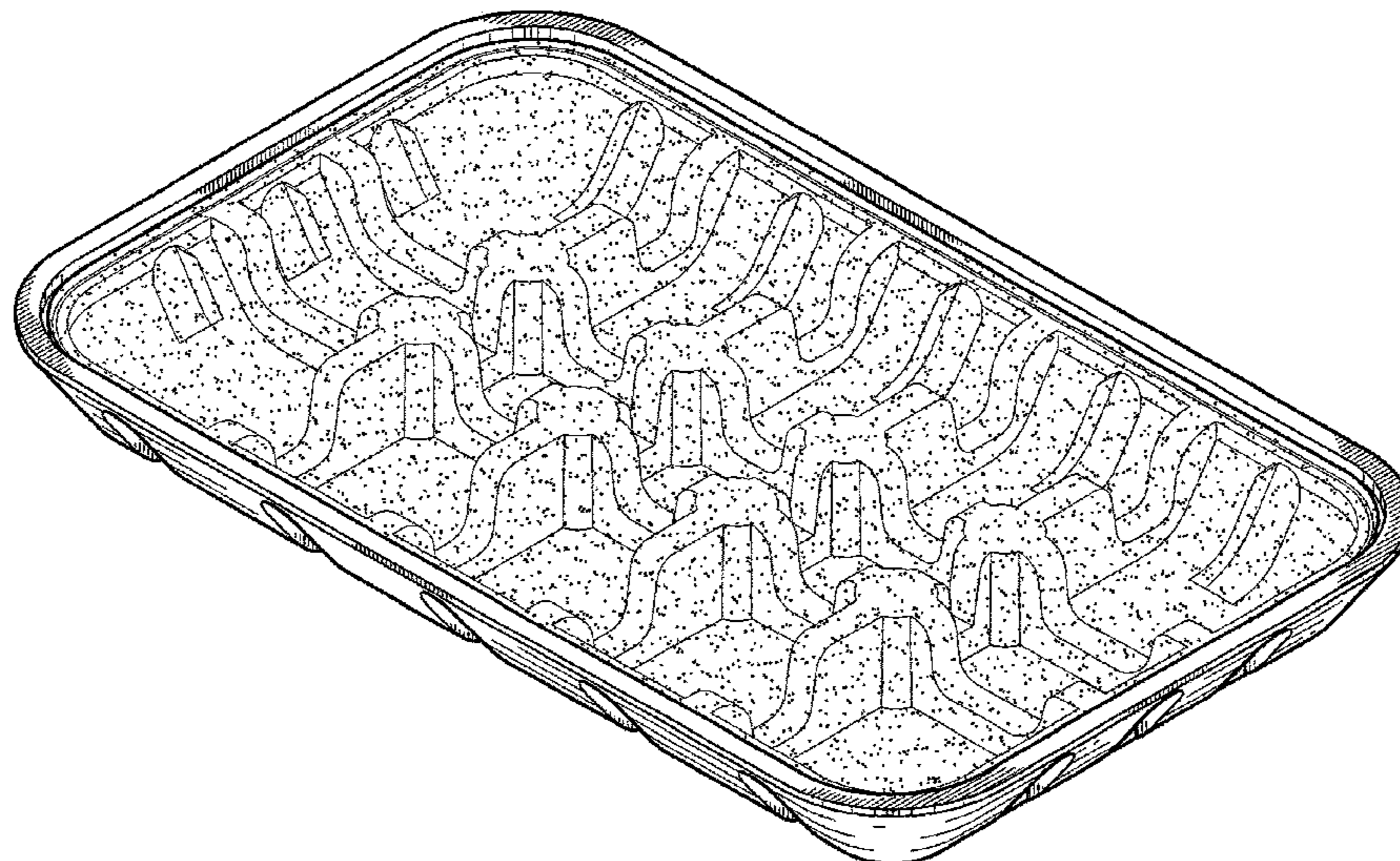
FIG. 8 is a bottom perspective view thereof;

FIG. 9 is a bottom perspective view thereof, with filter membrane removed for ease of illustration; and,

FIG. 10 is an exploded bottom perspective view thereof, with the filter membrane in a separated condition.

The broken lines shown represent unclaimed subject matter and form no part of the claimed design.

**1 Claim, 8 Drawing Sheets**



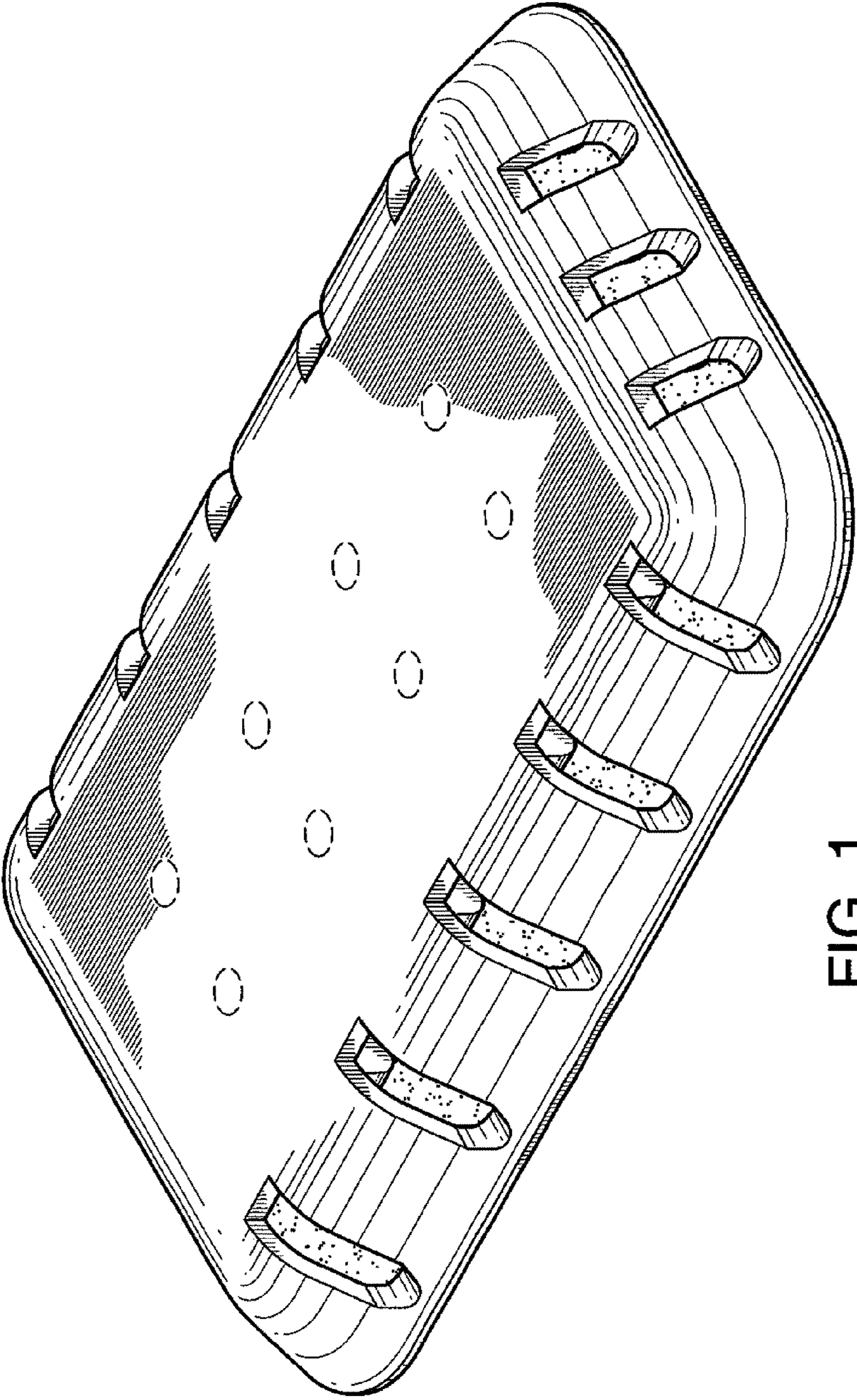


FIG. 1

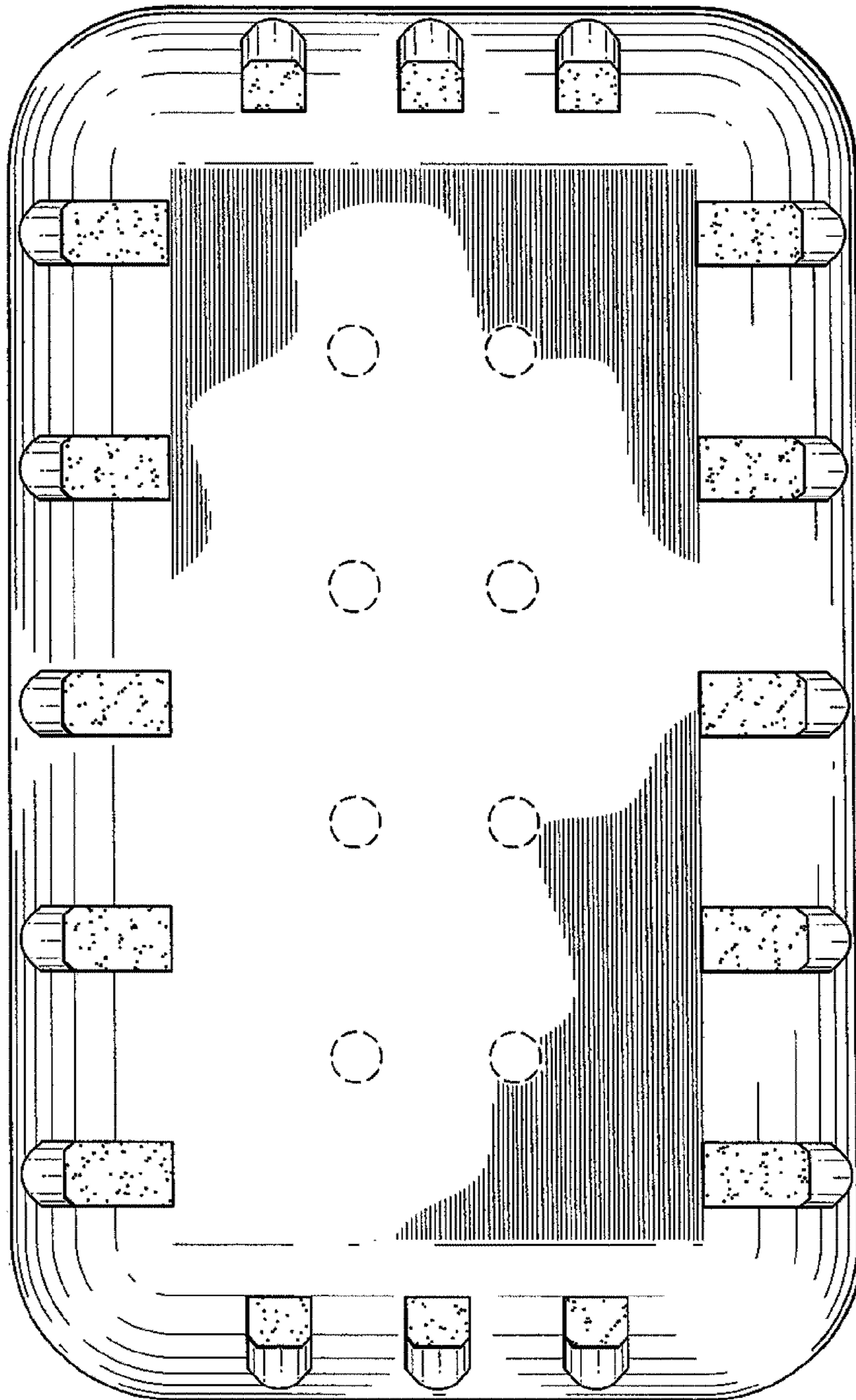


FIG. 2

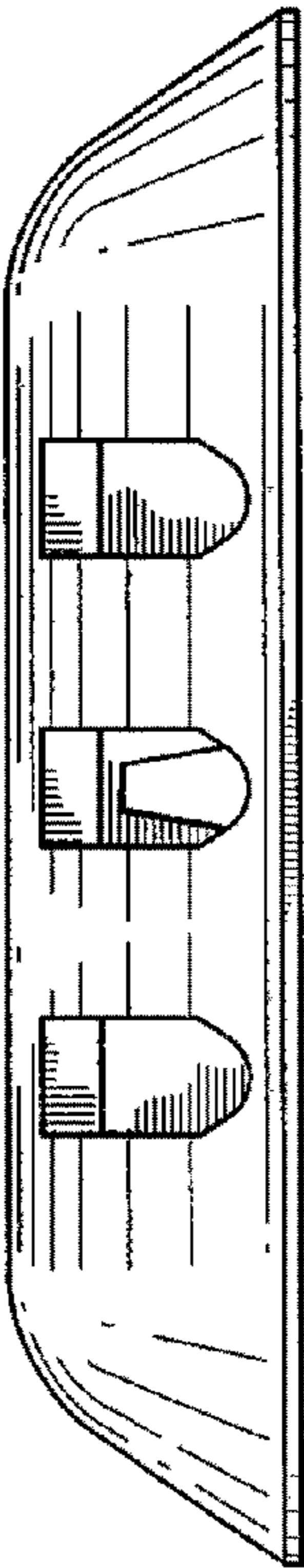


FIG. 3

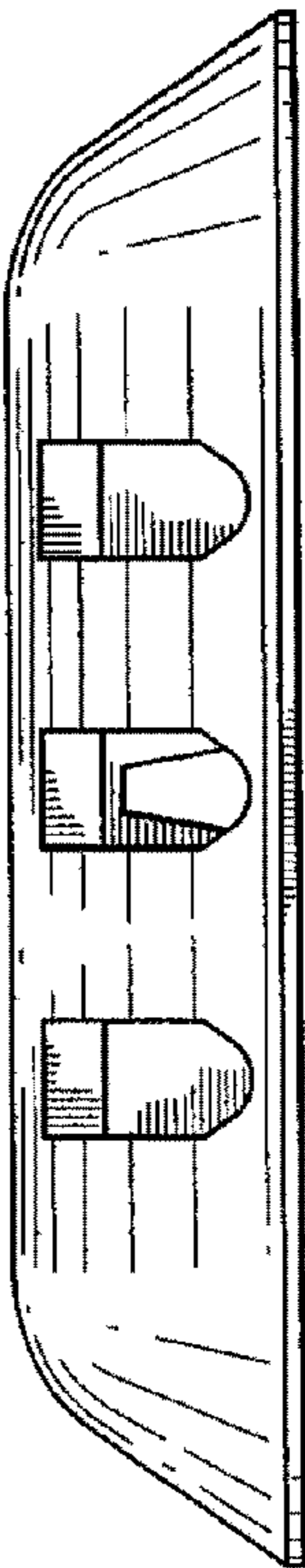


FIG. 4

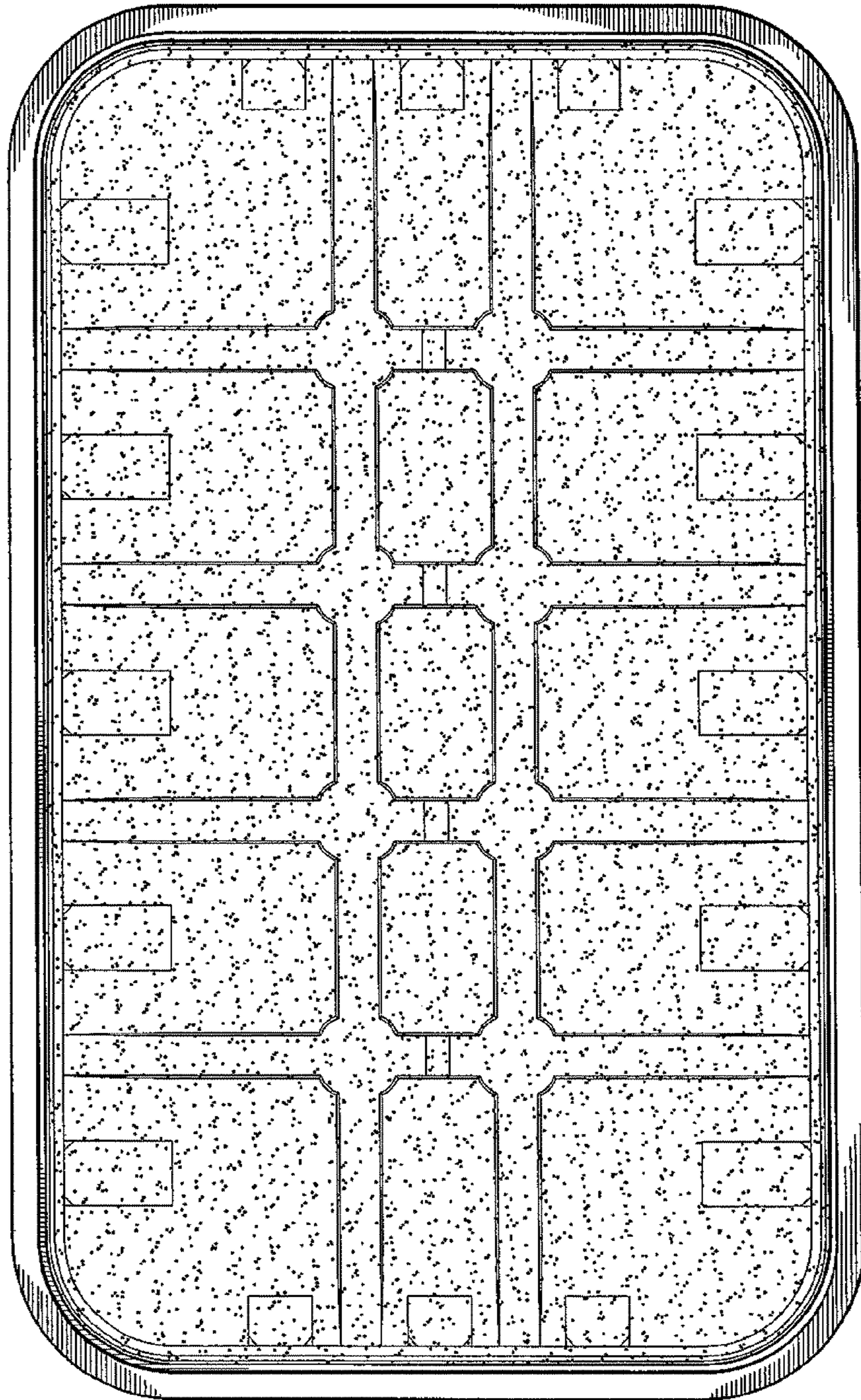


FIG. 5

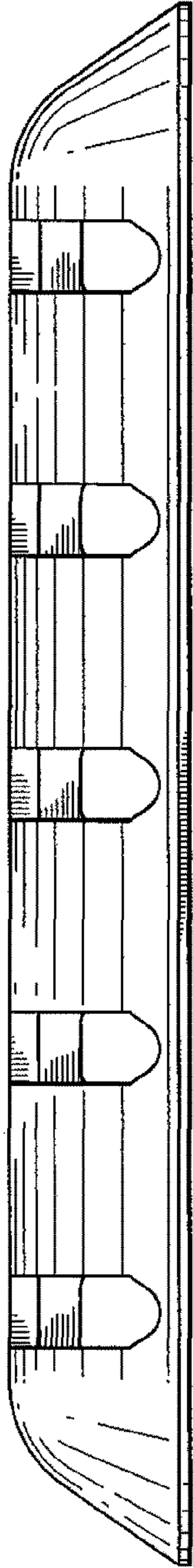


FIG. 6

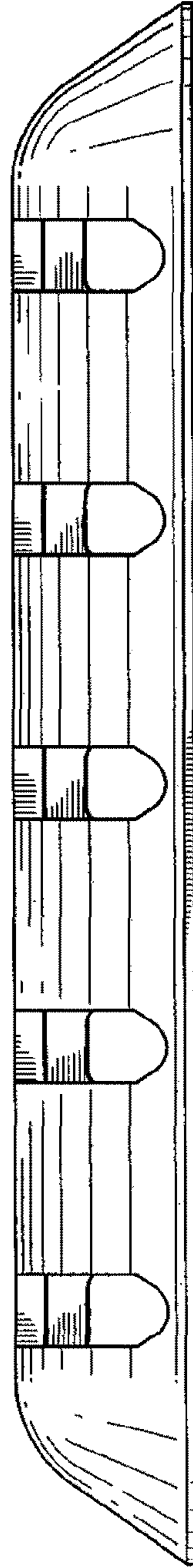


FIG. 7

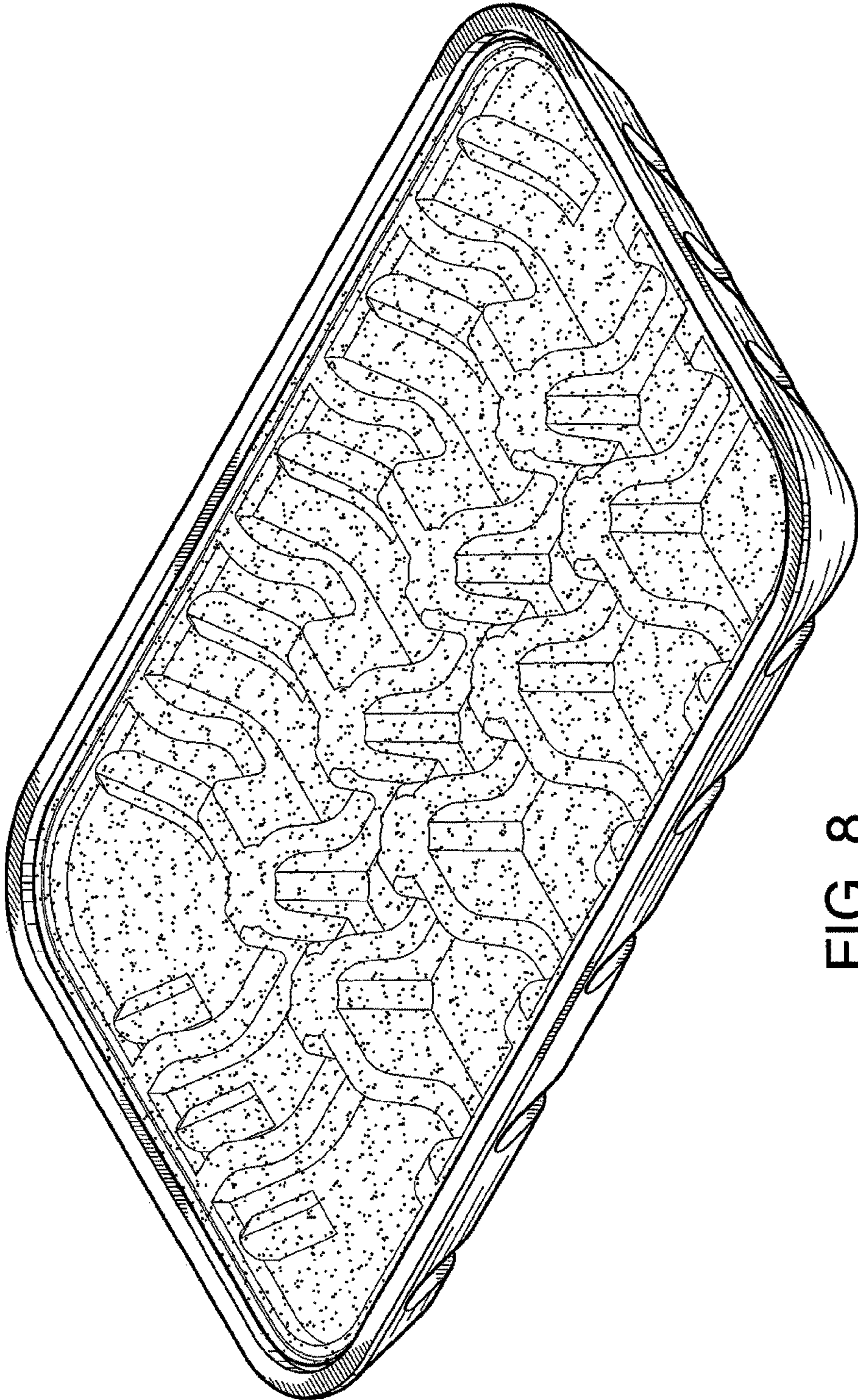


FIG. 8

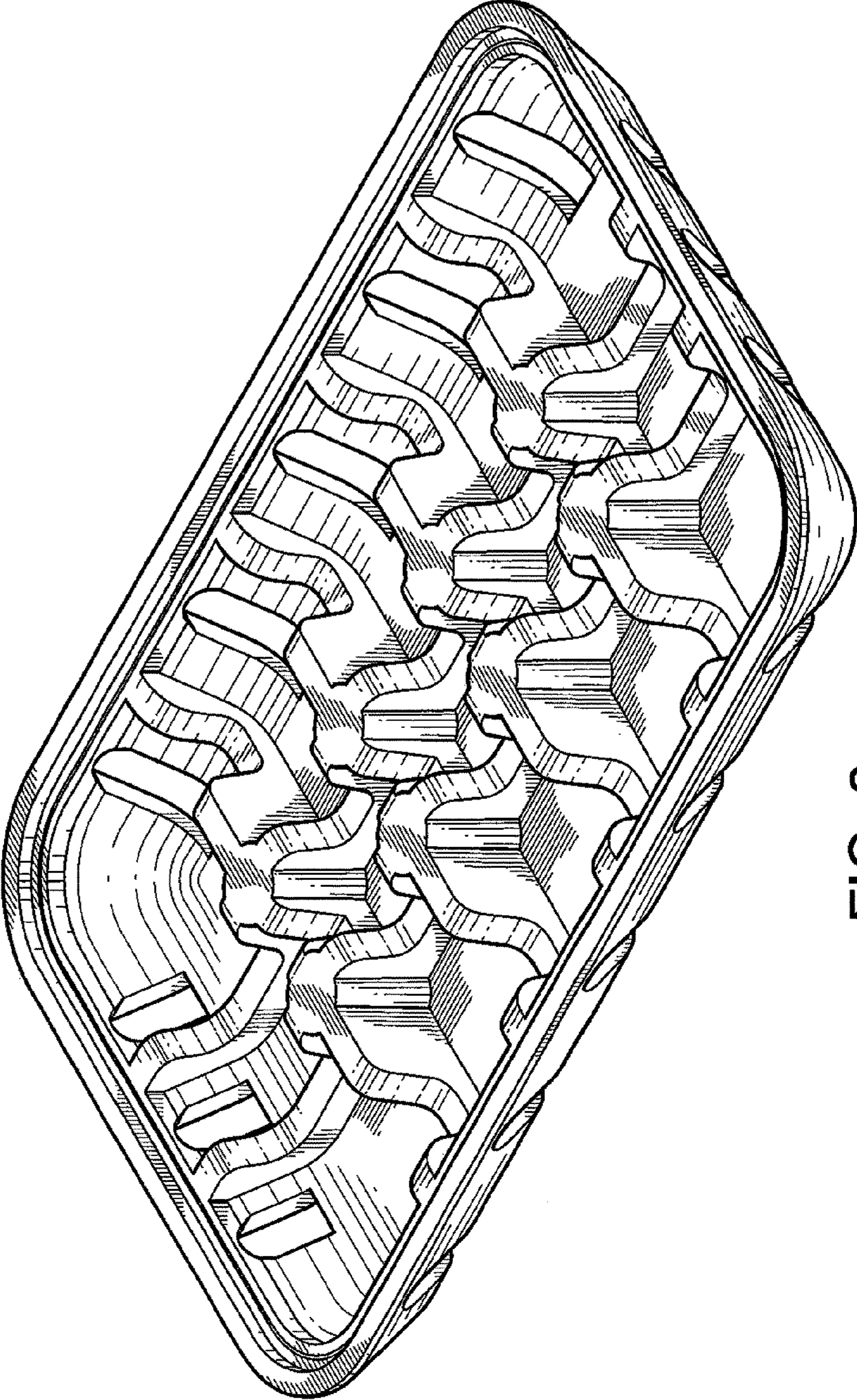


FIG. 9



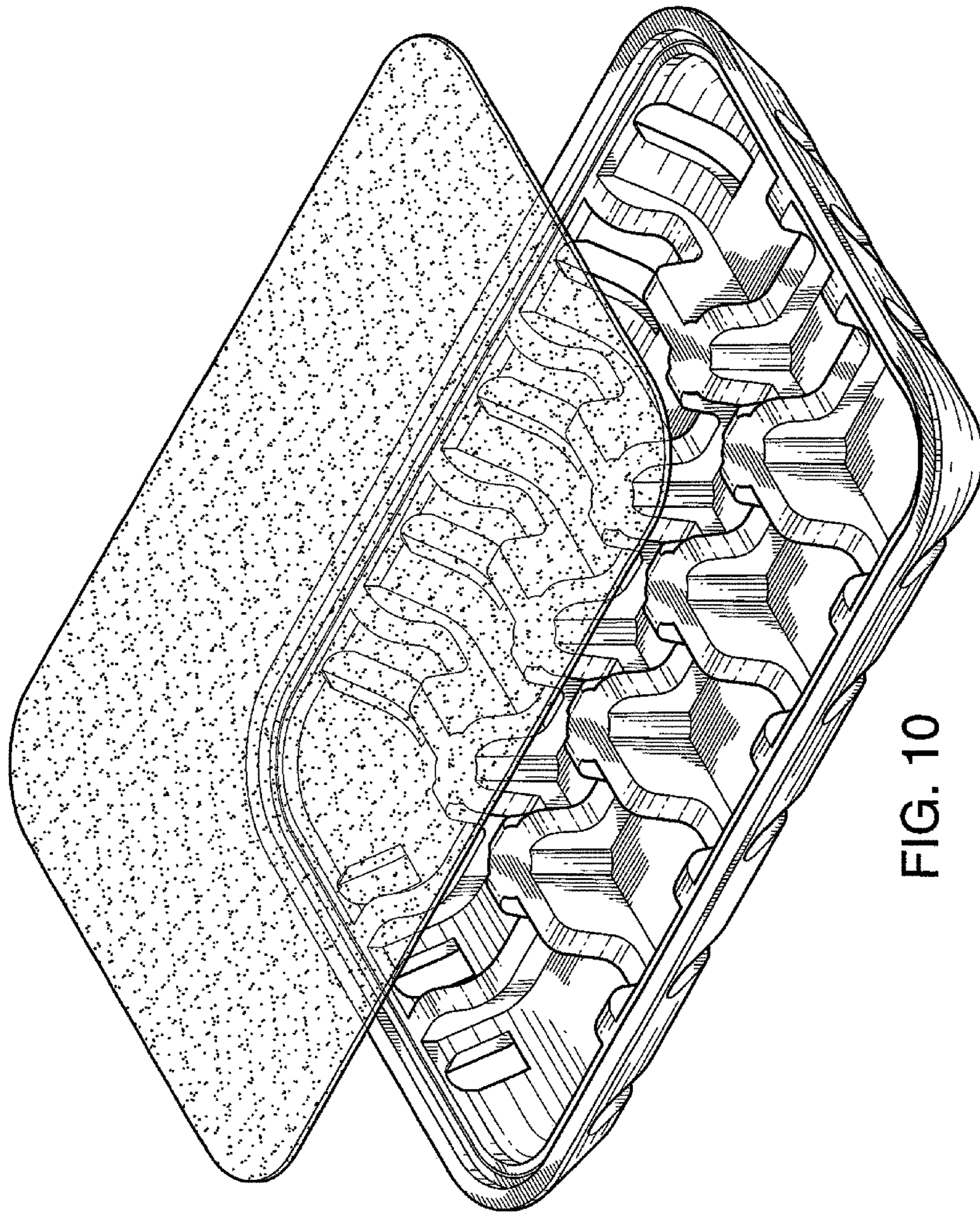


FIG. 10