



US00D647047S

(12) **United States Design Patent**
Kamil

(10) **Patent No.:** **US D647,047 S**
(45) **Date of Patent:** **** Oct. 18, 2011**

(54) **SOLAR COLLECTOR**

(76) Inventor: **Tal Kamil**, Ramat Gan (IL)

(**) Term: **14 Years**

(21) Appl. No.: **29/368,588**

(22) Filed: **Aug. 26, 2010**

(30) **Foreign Application Priority Data**

Aug. 19, 2010 (IL) 49982

(51) **LOC (9) Cl.** **13-02**

(52) **U.S. Cl.** **D13/102**

(58) **Field of Classification Search** D13/102,
D13/101, 184, 199; 4/493, 498; 126/561-568,
126/585, 623, 624, 626, 627, 640, 658, 661,
126/904, 908; 136/206, 244-251, 256, 291,
136/292

See application file for complete search history.

(56) **References Cited**

U.S. PATENT DOCUMENTS

1,753,227 A * 4/1930 Wheeler et al. 126/592
D244,537 S * 5/1977 Riley D13/102
D245,173 S * 7/1977 Van Leeuwen D13/102
4,120,287 A * 10/1978 Marles et al. 126/658
D307,260 S * 4/1990 Happy et al. D13/102

5,347,984 A * 9/1994 Klaren 126/564
D362,056 S * 9/1995 Grandinetti D23/318
D425,013 S * 5/2000 Lai D13/102
D448,722 S * 10/2001 Drummond D13/102
D474,444 S * 5/2003 Elgner D13/102
D510,315 S * 10/2005 Shugar et al. D13/102
D519,444 S * 4/2006 Mascolo D13/102

* cited by examiner

Primary Examiner — Stella Reid

Assistant Examiner — Derrick Holland

(74) *Attorney, Agent, or Firm* — Ira S. Dorman

(57) **CLAIM**

The ornamental design for a solar collector, as shown and described.

DESCRIPTION

FIG. 1 is a perspective view of a solar collector showing my new design;

FIG. 2 is a bottom plan view thereof;

FIG. 3 is a top plan view thereof;

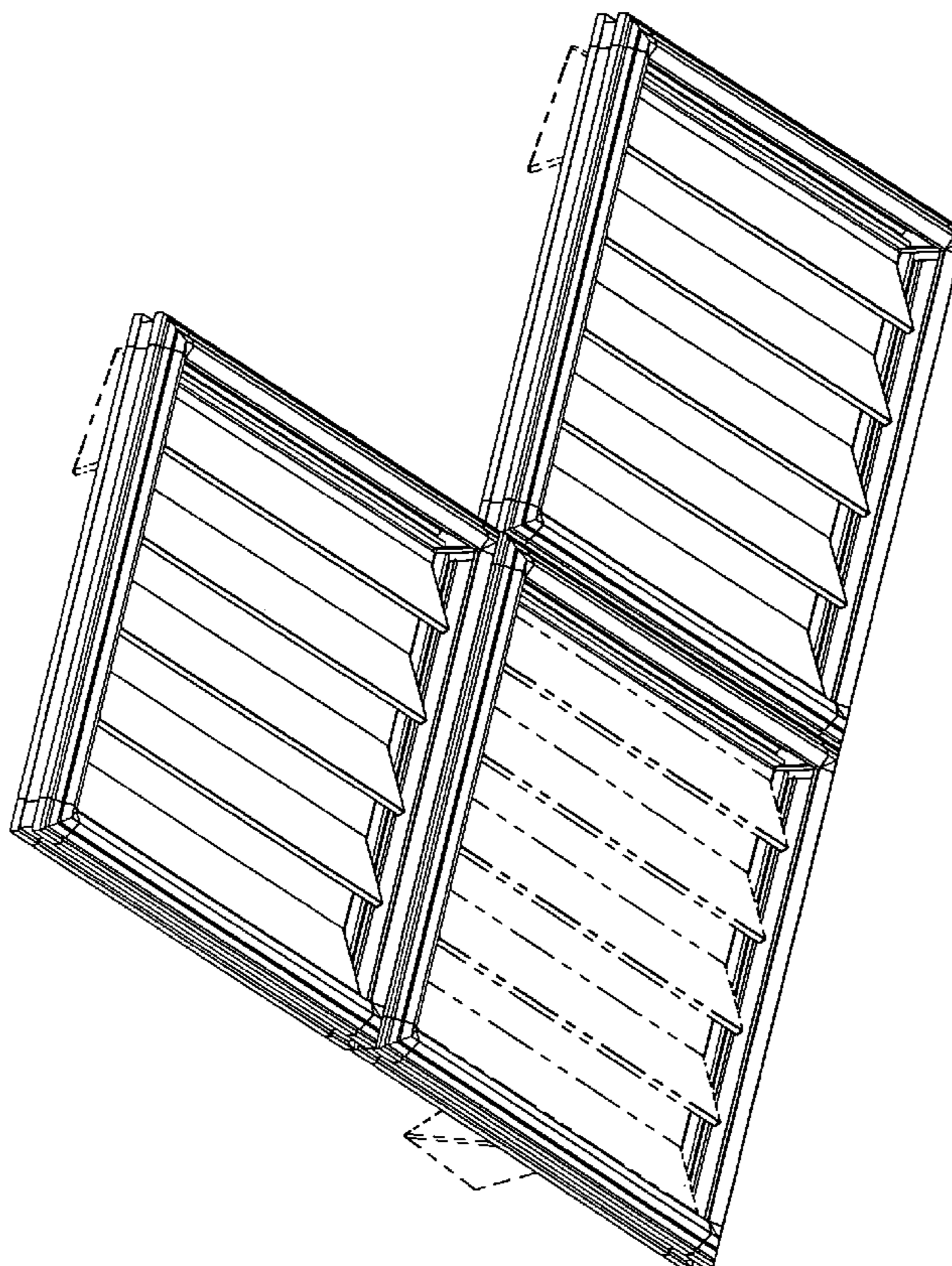
FIG. 4 is a bottom perspective view thereof;

FIG. 5 is a top perspective view thereof; and,

FIG. 6 is a side elevation view thereof.

The broken lines shown represent unclaimed subject matter and form no part of the claimed design.

1 Claim, 6 Drawing Sheets



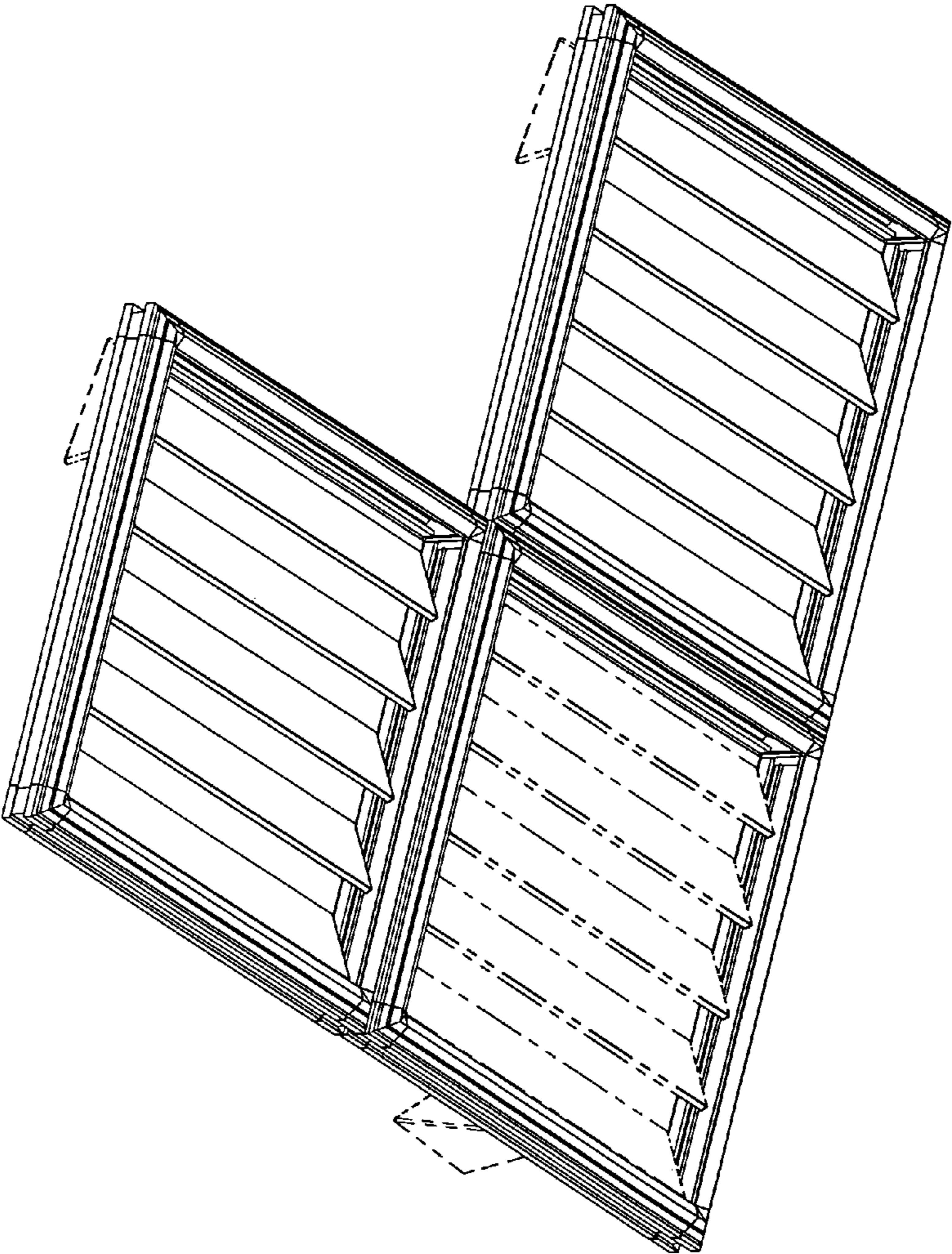


Fig. 1

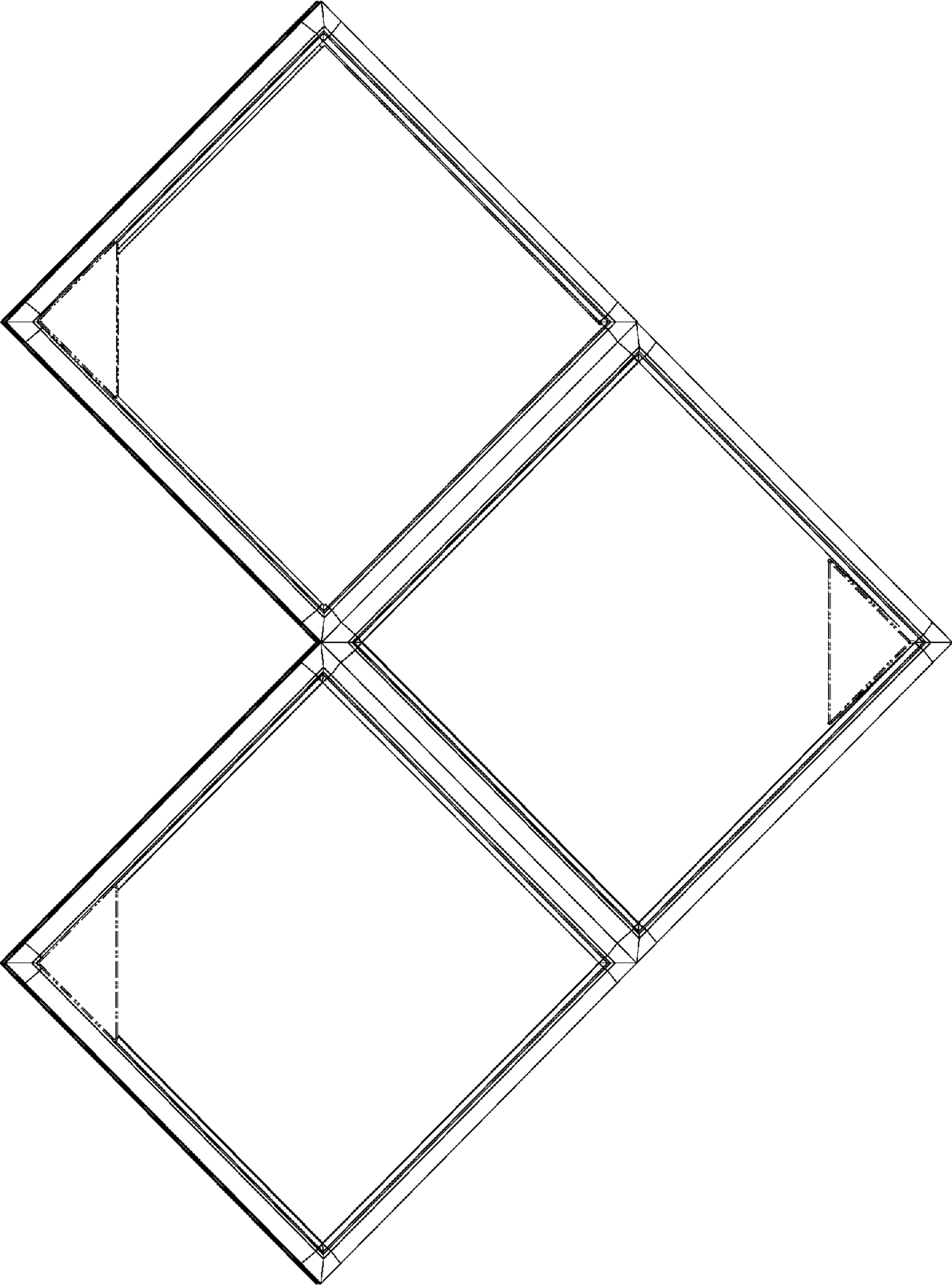


Fig.2

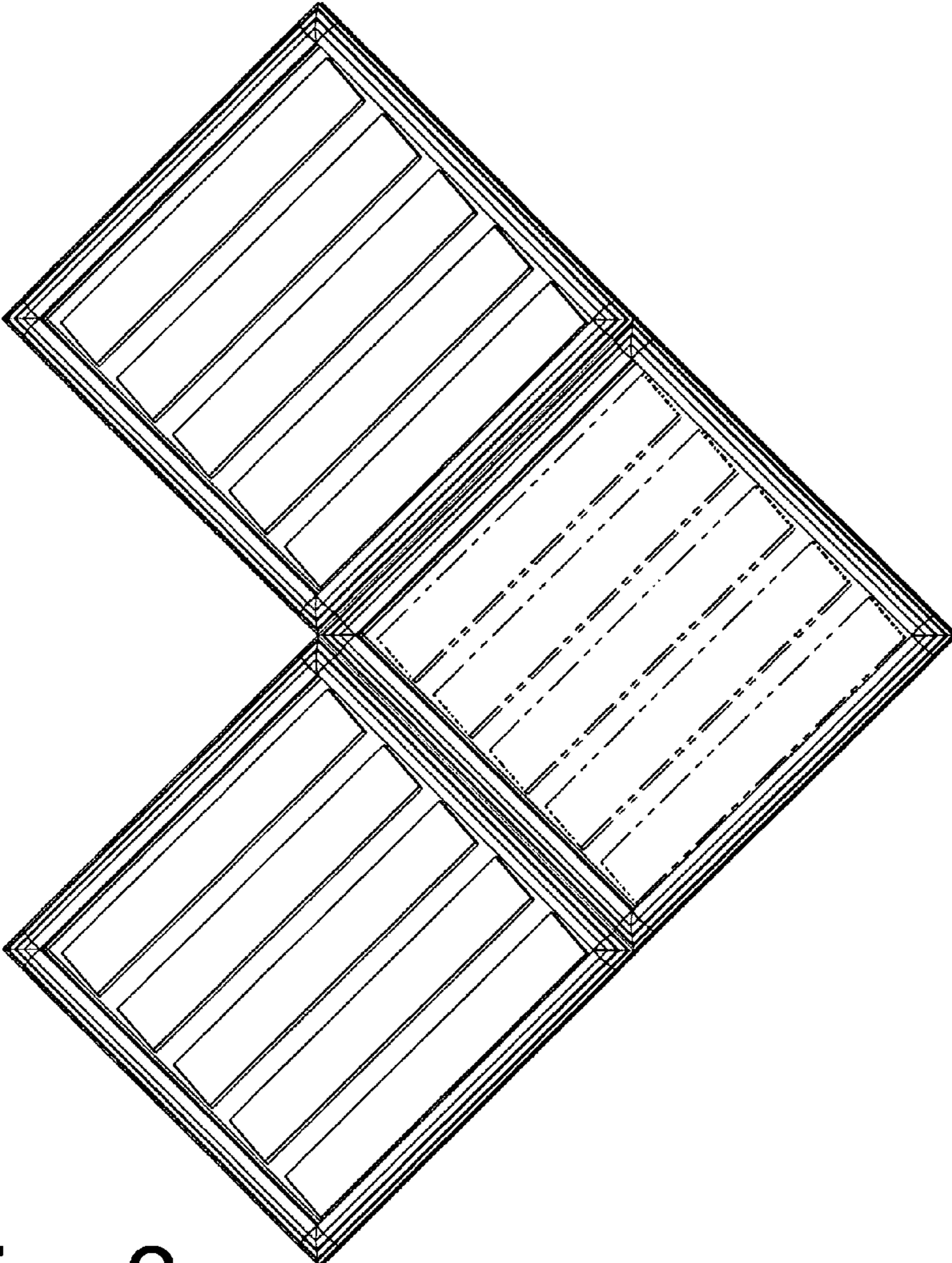


Fig. 3

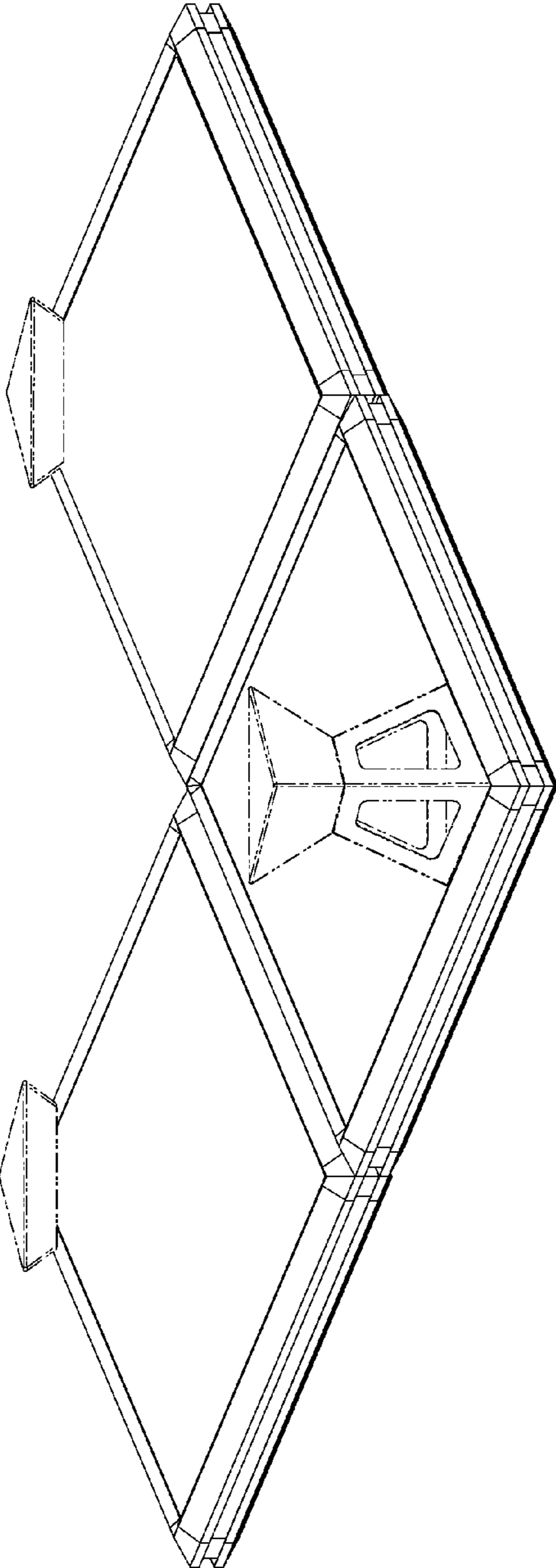


Fig.4

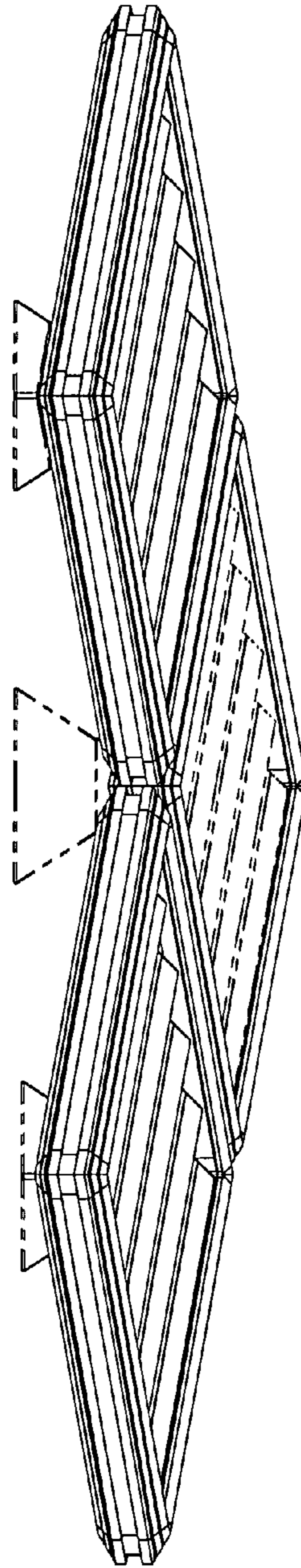


Fig. 5

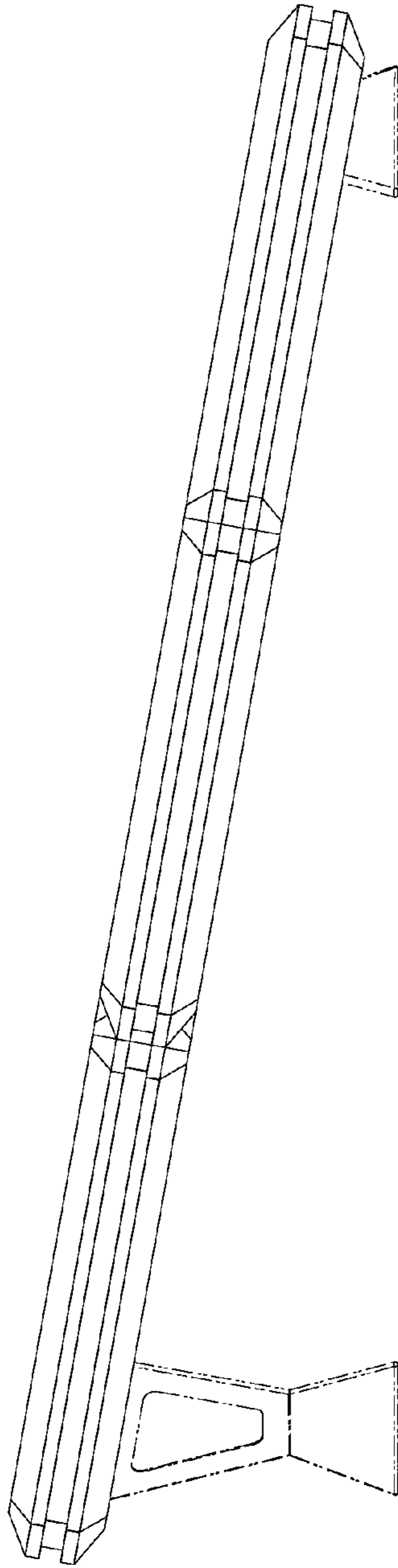


Fig.6