



US00D647041S

(12) **United States Design Patent**
Kojima

(10) **Patent No.:** **US D647,041 S**

(45) **Date of Patent:** **** Oct. 18, 2011**

(54) **TREAD PORTION OF AN AUTOMOBILE TIRE**

(75) **Inventor:** **Takaaki Kojima**, Tokyo (JP)

(73) **Assignee:** **Bridgestone Corporation**, Tokyo (JP)

(**) **Term:** **14 Years**

(21) **Appl. No.:** **29/353,629**

(22) **Filed:** **Jan. 12, 2010**

(30) **Foreign Application Priority Data**

Jul. 13, 2009 (JP) 2009-015955

(51) **LOC (9) Cl.** **12-16**

(52) **U.S. Cl.** **D12/600**

(58) **Field of Classification Search** D12/586-591,
D12/572, 599-603; 152/209.1, 209.12, 209.18,
152/209.25

See application file for complete search history.

(56) **References Cited**

U.S. PATENT DOCUMENTS

D637,143 S * 5/2011 Ohara D12/588
D637,148 S * 5/2011 Tamura D12/600
D637,149 S * 5/2011 Yamaguchi D12/600

* cited by examiner

Primary Examiner — Caron D Veynar

Assistant Examiner — George D Kirschbaum

(74) *Attorney, Agent, or Firm* — Sughrue Mion, PLLC

(57) **CLAIM**

The ornamental design for a tread portion of an automobile tire, as shown and described.

DESCRIPTION

FIG. 1 is a front view of a tread portion of an automobile tire; FIG. 2 is a perspective view thereof; FIG. 3 is a left side view thereof; FIG. 4 is a fragmentary enlarged view showing the details of the tread portion thereof; and, FIG. 5 a sectional view taken along the line 5-5 from FIG. 1. Broken lines in the drawing figures are intended to show environmental structure only, and form no part of the claimed design.

1 Claim, 5 Drawing Sheets

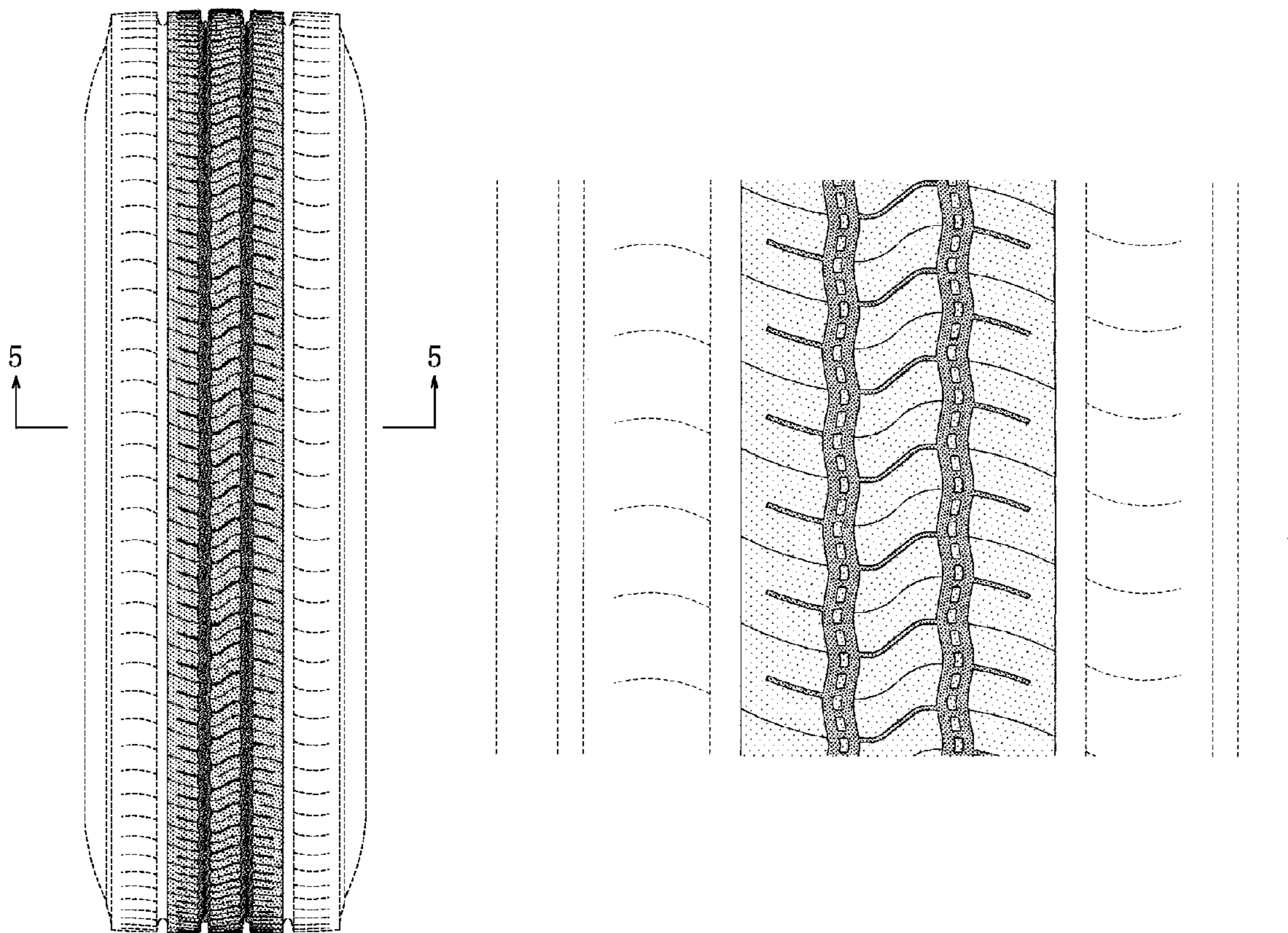


FIG. 1

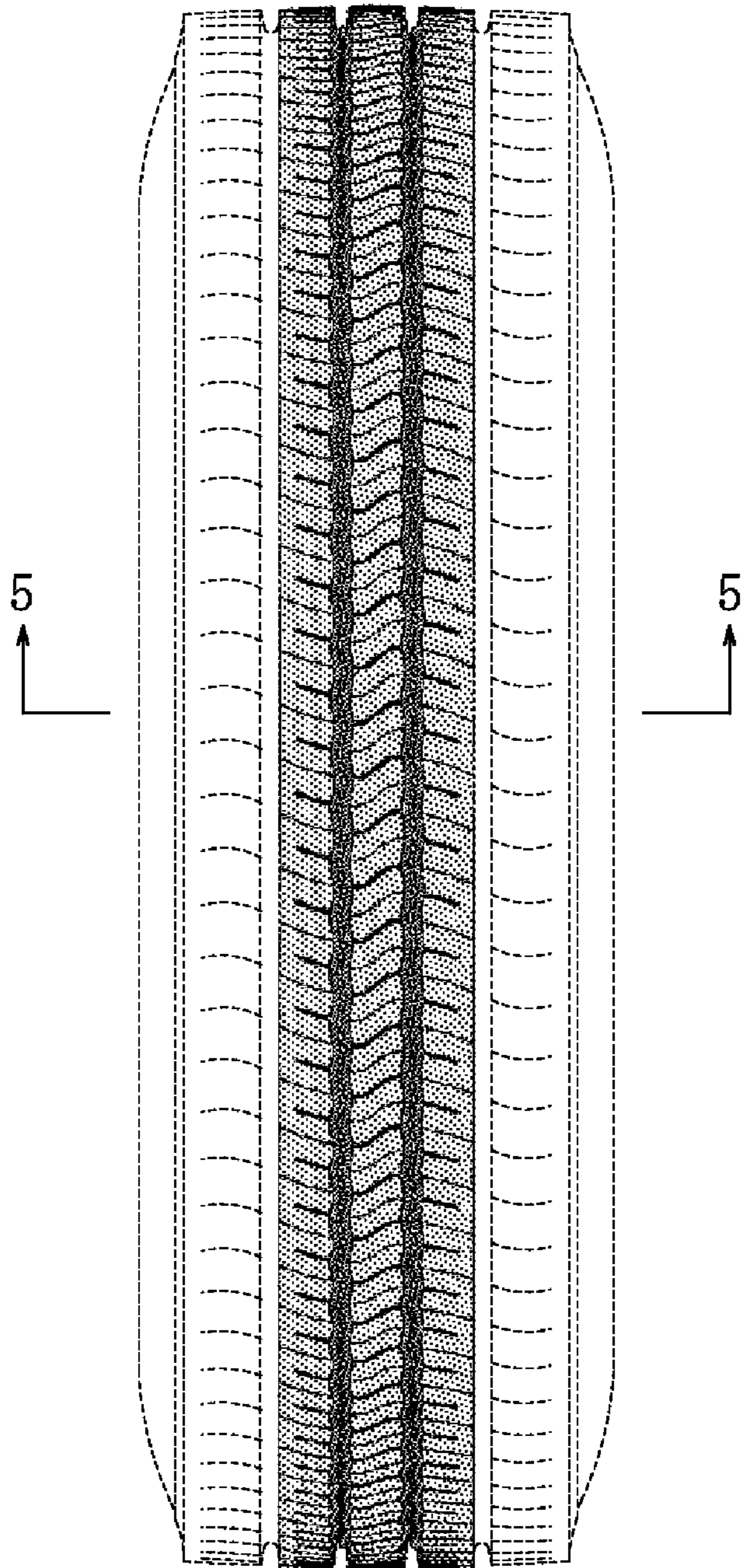


FIG. 2

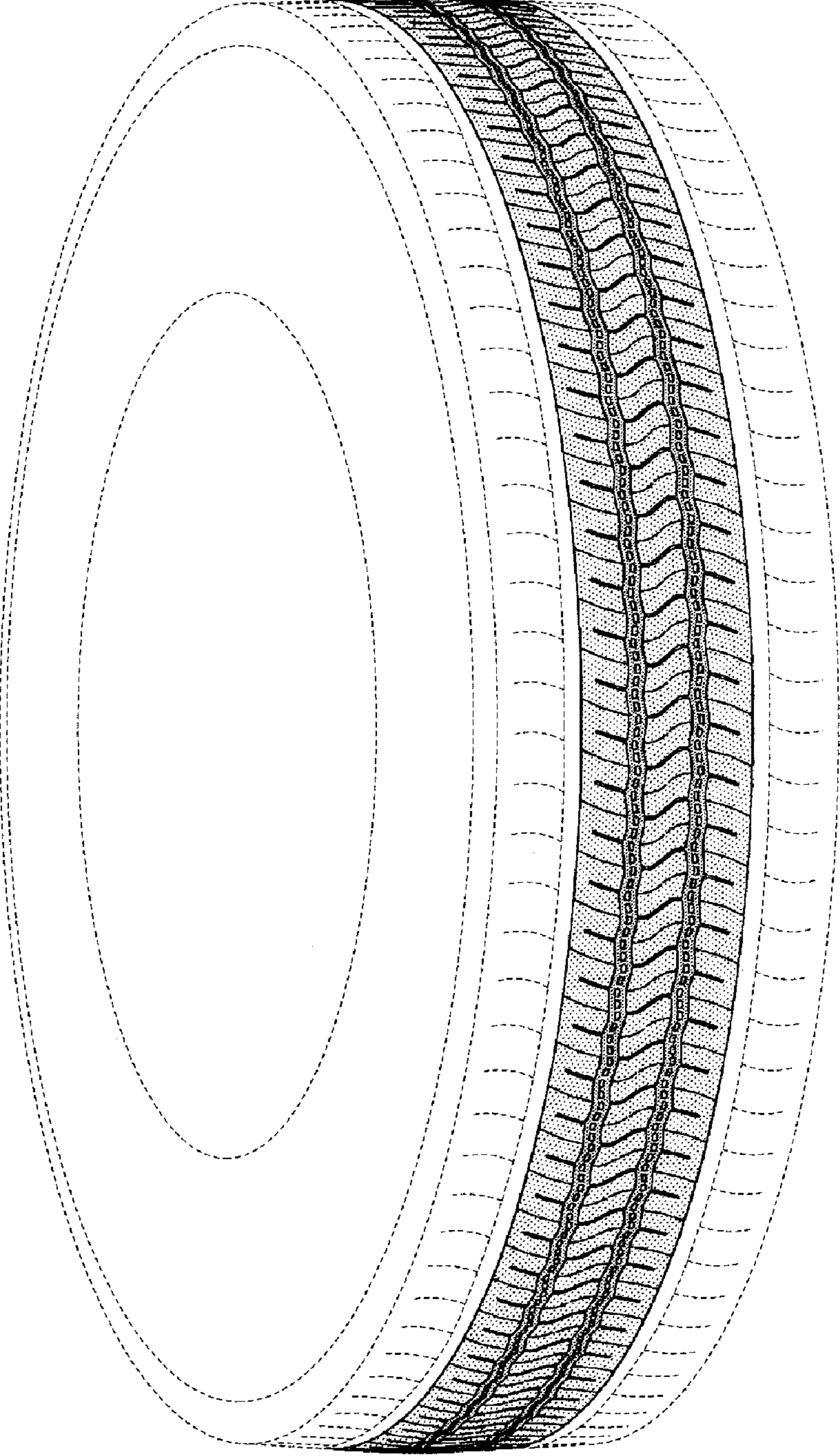


FIG. 3

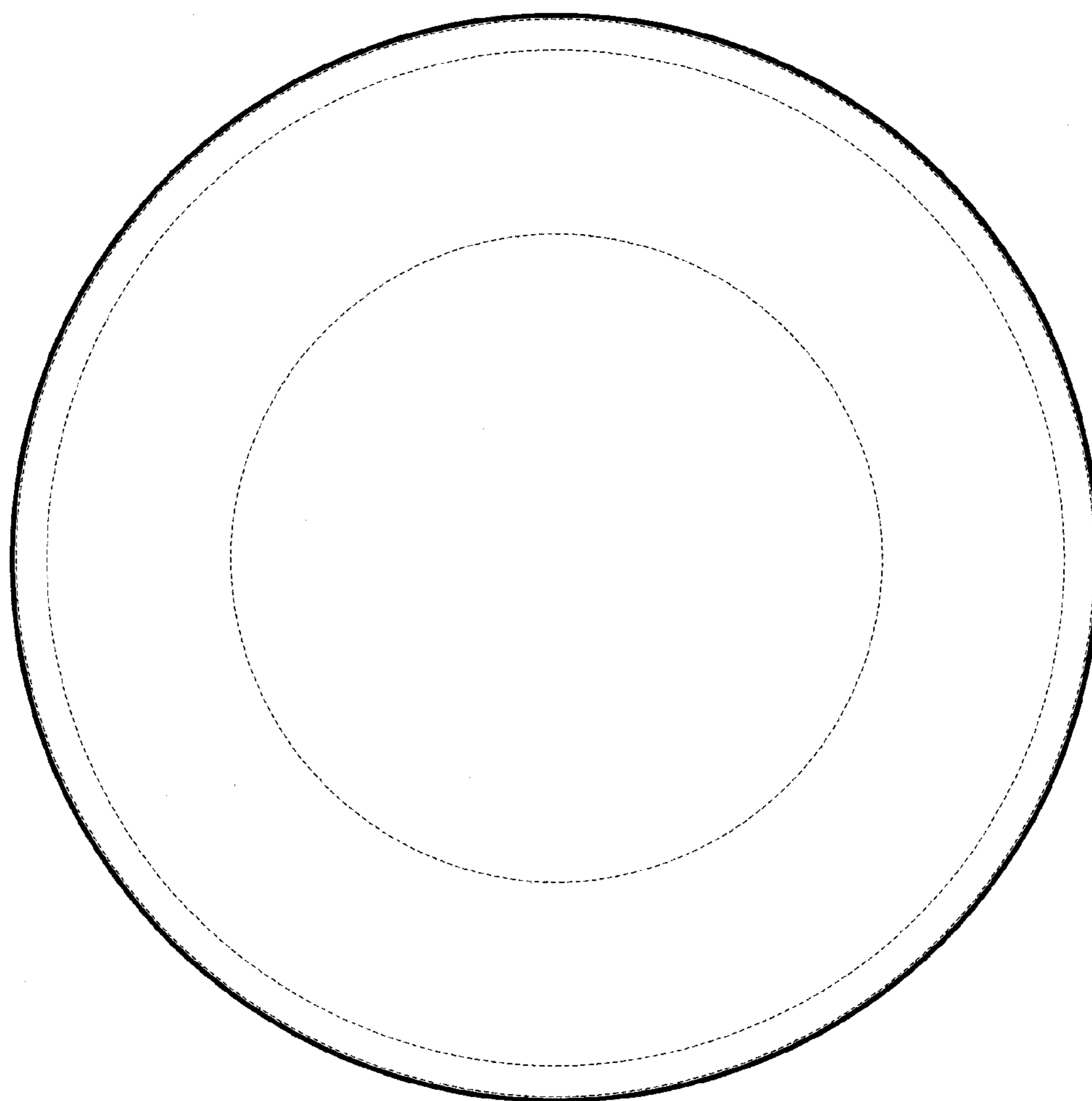


FIG. 4

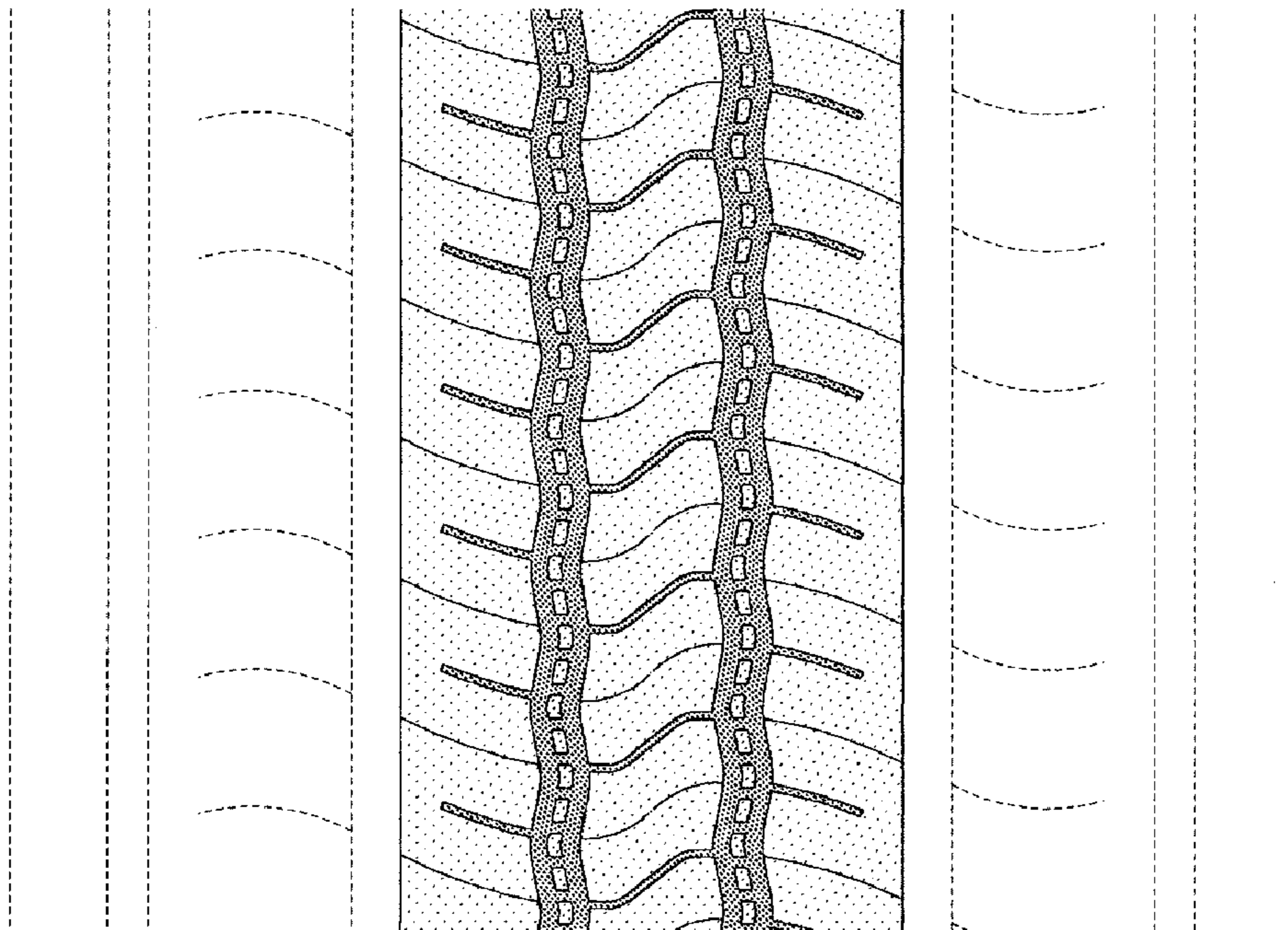


FIG. 5

