



US00D647027S

(12) **United States Design Patent**
Fujioka

(10) **Patent No.:** **US D647,027 S**

(45) **Date of Patent:** **** Oct. 18, 2011**

(54) **TIRE**

(75) Inventor: **Tsuyoshi Fujioka**, Osaka (JP)

(73) Assignee: **Toyo Tire & Rubber Co., Ltd.**, Osaka (JP)

(**) Term: **14 Years**

(21) Appl. No.: **29/354,911**

(22) Filed: **Jan. 29, 2010**

(30) **Foreign Application Priority Data**

Apr. 3, 2009 (JP) 2009-007779

(51) **LOC (9) Cl.** **12-16**

(52) **U.S. Cl.** **D12/516**

(58) **Field of Classification Search** D12/505-532;
152/209.1, 209.12, 209.18, 209.25

See application file for complete search history.

(56) **References Cited**

U.S. PATENT DOCUMENTS

D334,364 S 3/1993 Maitre et al.
D530,661 S * 10/2006 Matsumoto et al. D12/532
D628,951 S * 12/2010 Frappart et al. D12/515
D637,550 S * 5/2011 Nakamizo D12/602

* cited by examiner

Primary Examiner — Caron D Veynar

Assistant Examiner — George D Kirschbaum

(74) *Attorney, Agent, or Firm* — Sterne, Kessler, Goldstein & Fox, P.L.L.C.

(57) **CLAIM**

The ornamental design for a tire, as shown and described.

DESCRIPTION

FIG. 1 is a perspective view of a tire showing my new design;

FIG. 2 is a front view thereof;

FIG. 3 is a rear view thereof;

FIG. 4 is a right side view thereof;

FIG. 5 is a left side view thereof;

FIG. 6 is a top plan view thereof, for which the bottom plan view is the same;

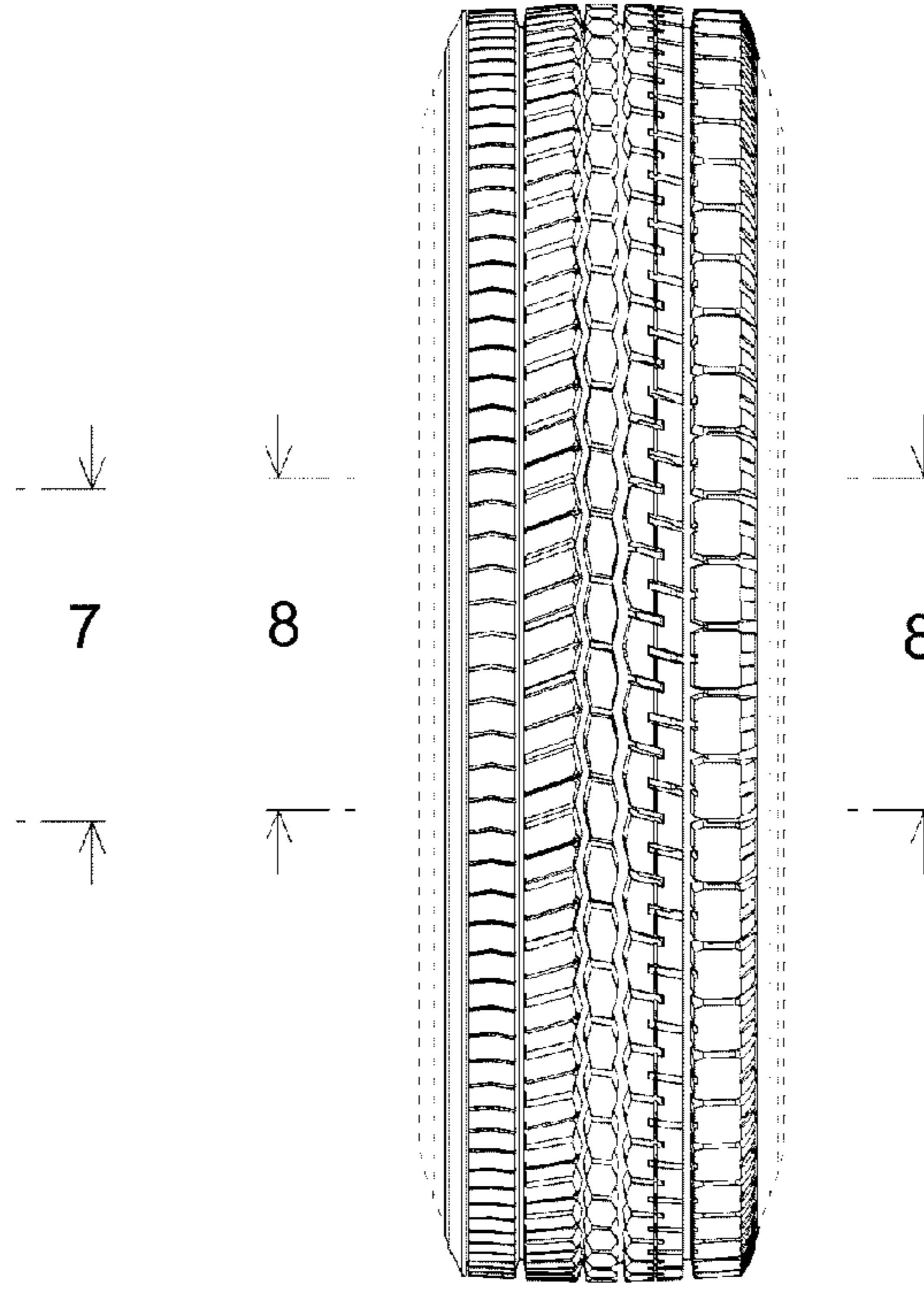
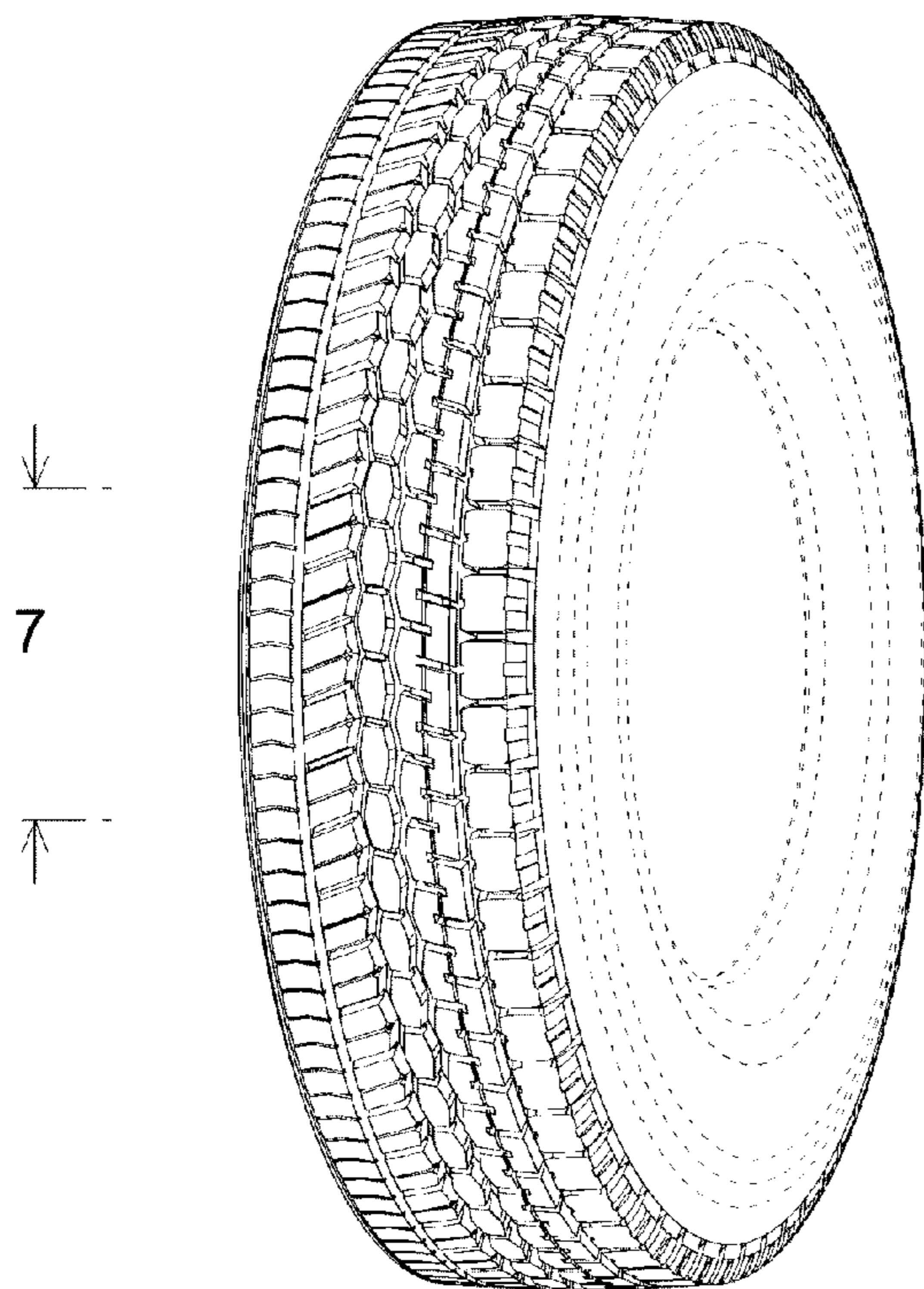
FIG. 7 is an enlarged sectional view taken along line 7-7 in FIG. 1 and line 7'-7' in FIG. 4;

FIG. 8 is an enlarged sectional view taken along line 8-8 in FIG. 2; and,

FIG. 9 is a cross sectional view taken along line 7'-7' in FIG. 4 and line 9-9 in FIG. 8.

The broken lines in the Figures show portions of the tire that form no part of the claimed design.

1 Claim, 9 Drawing Sheets



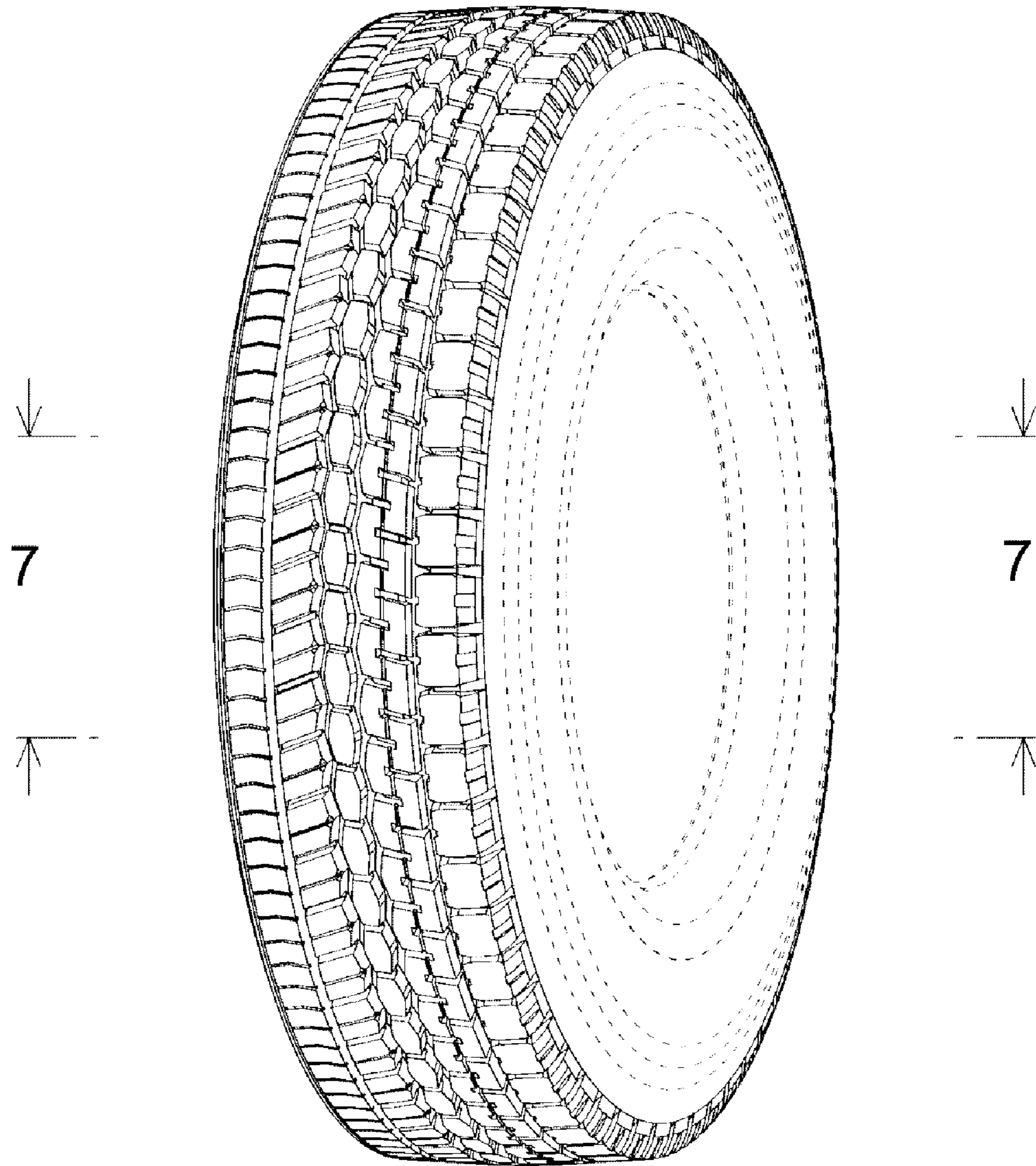


FIGURE 1

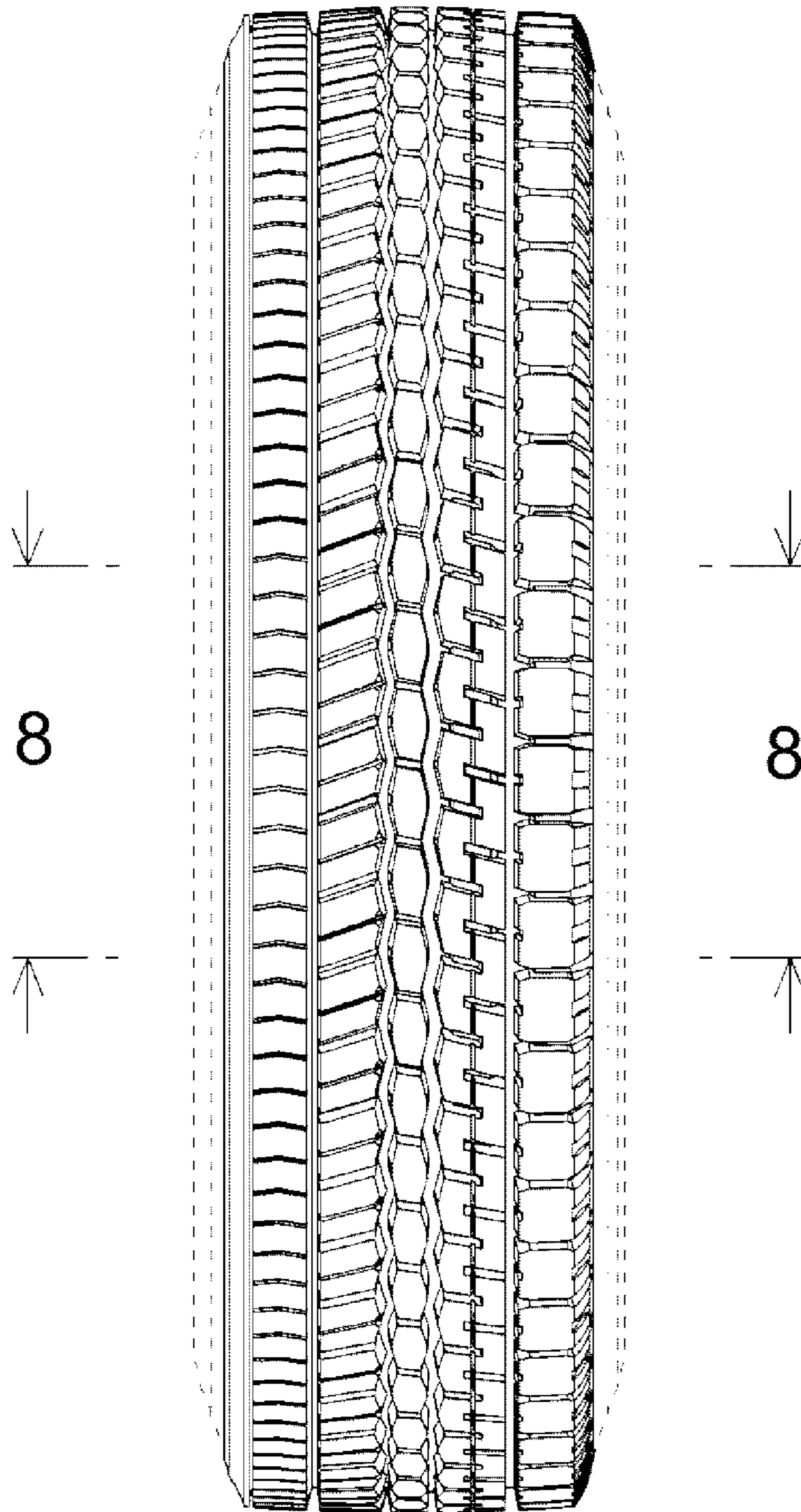


FIGURE 2

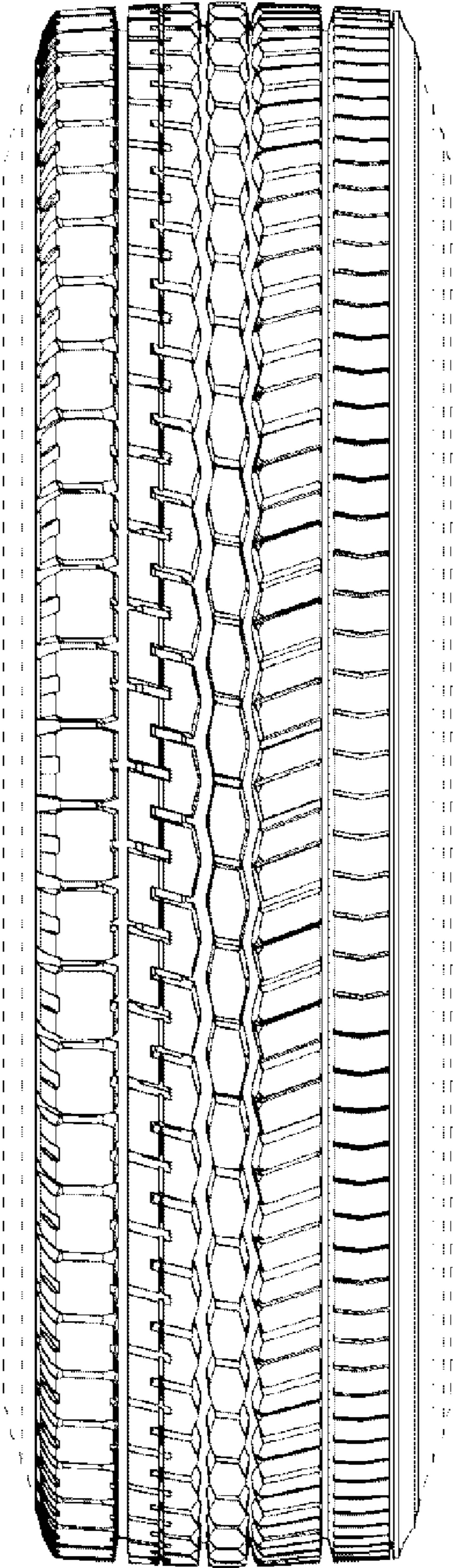


FIGURE 3

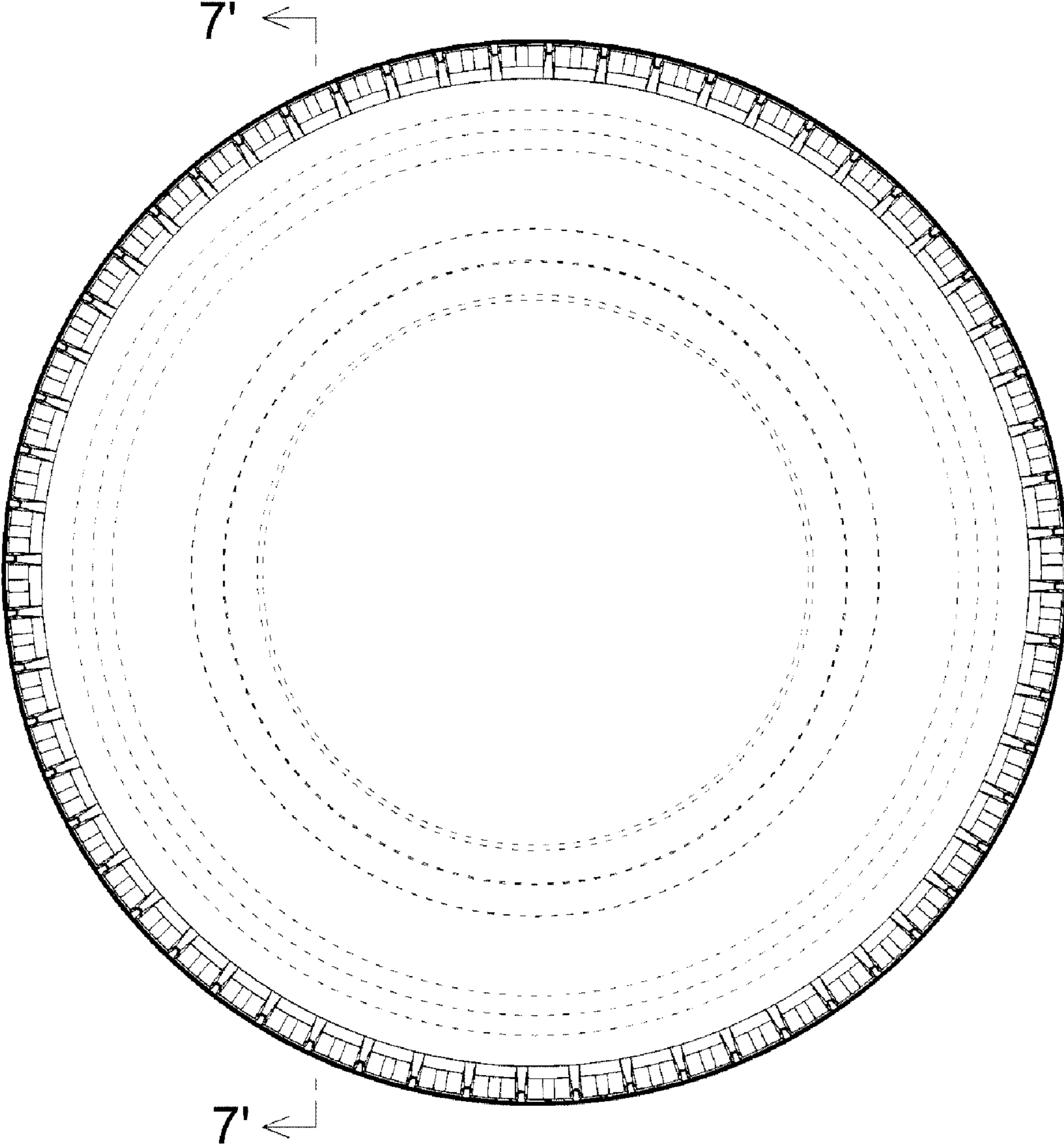


FIGURE 4

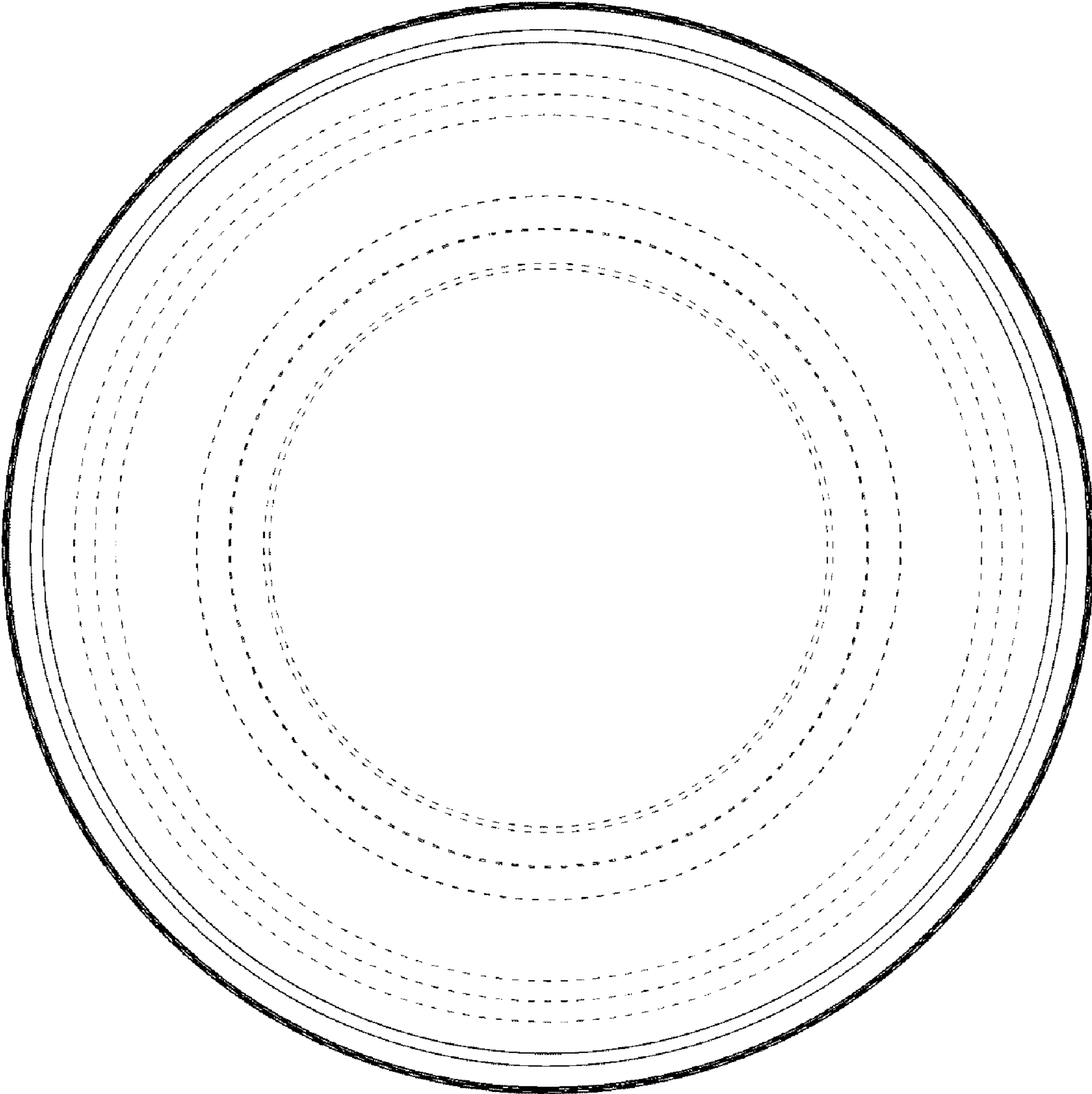


FIGURE 5

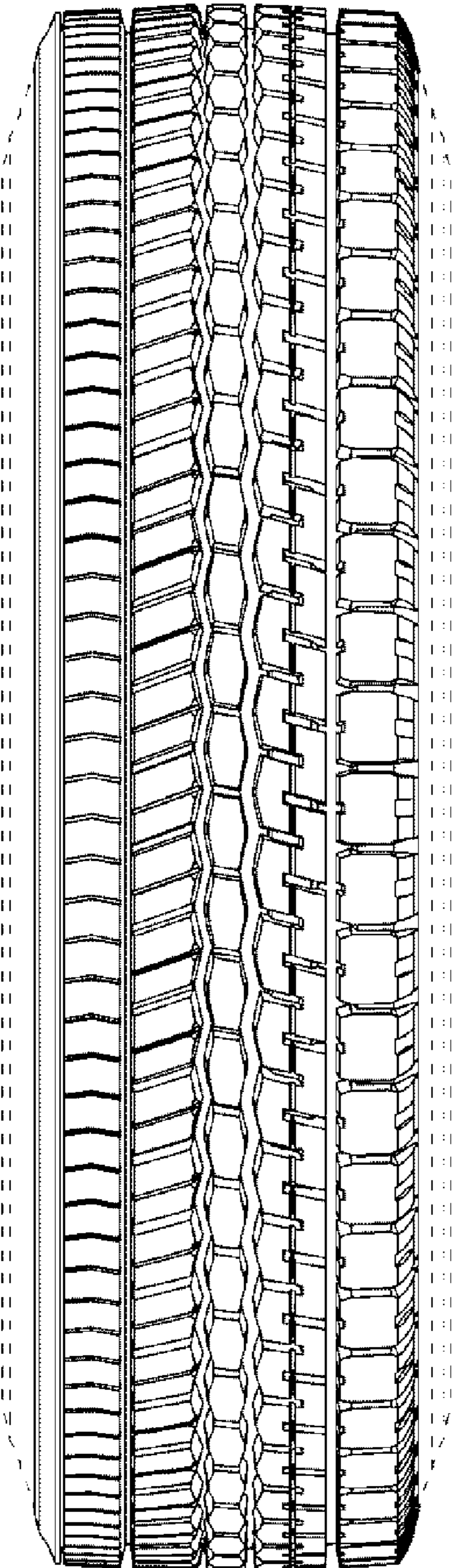


FIGURE 6

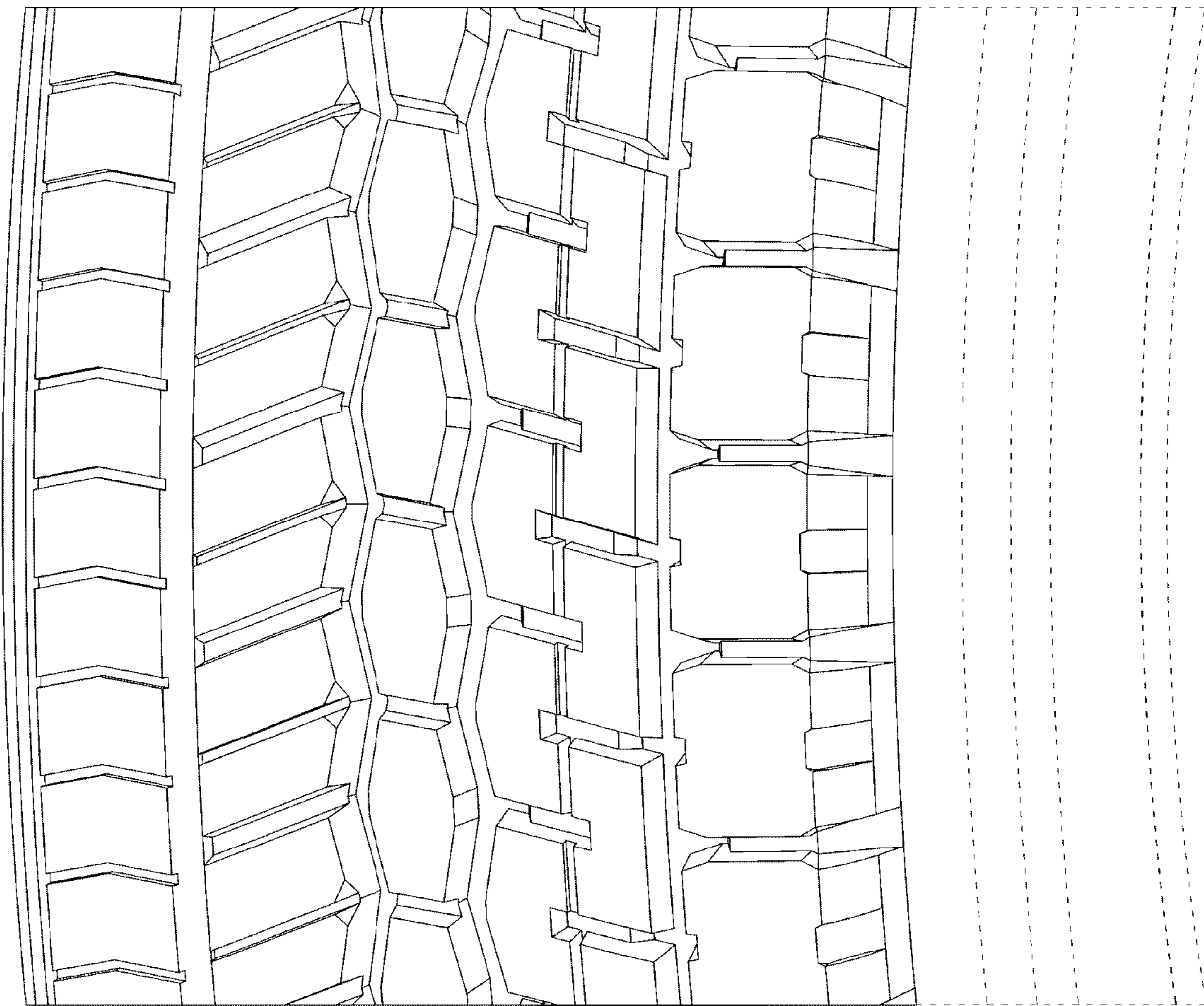


FIGURE 7

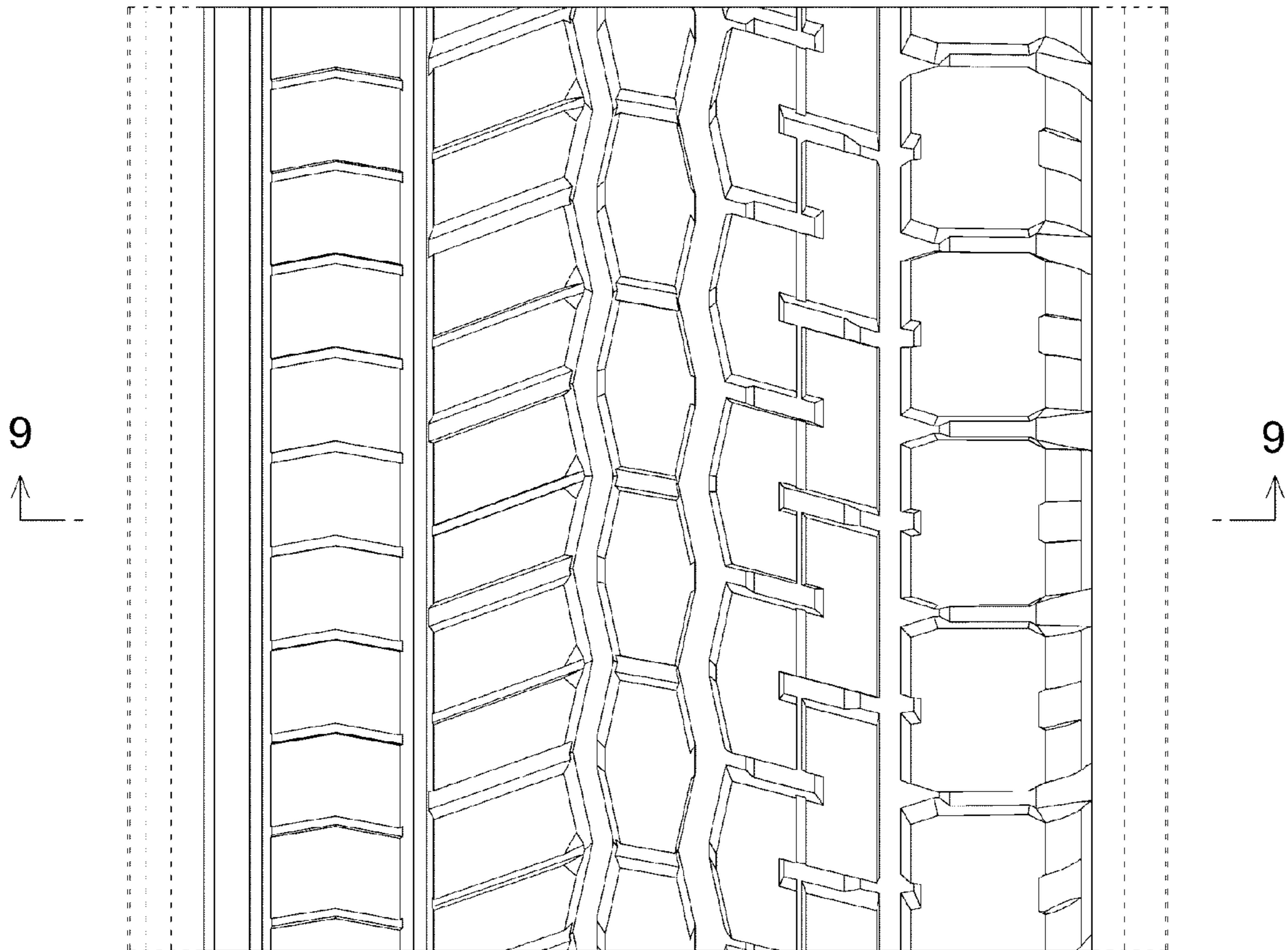


FIGURE 8

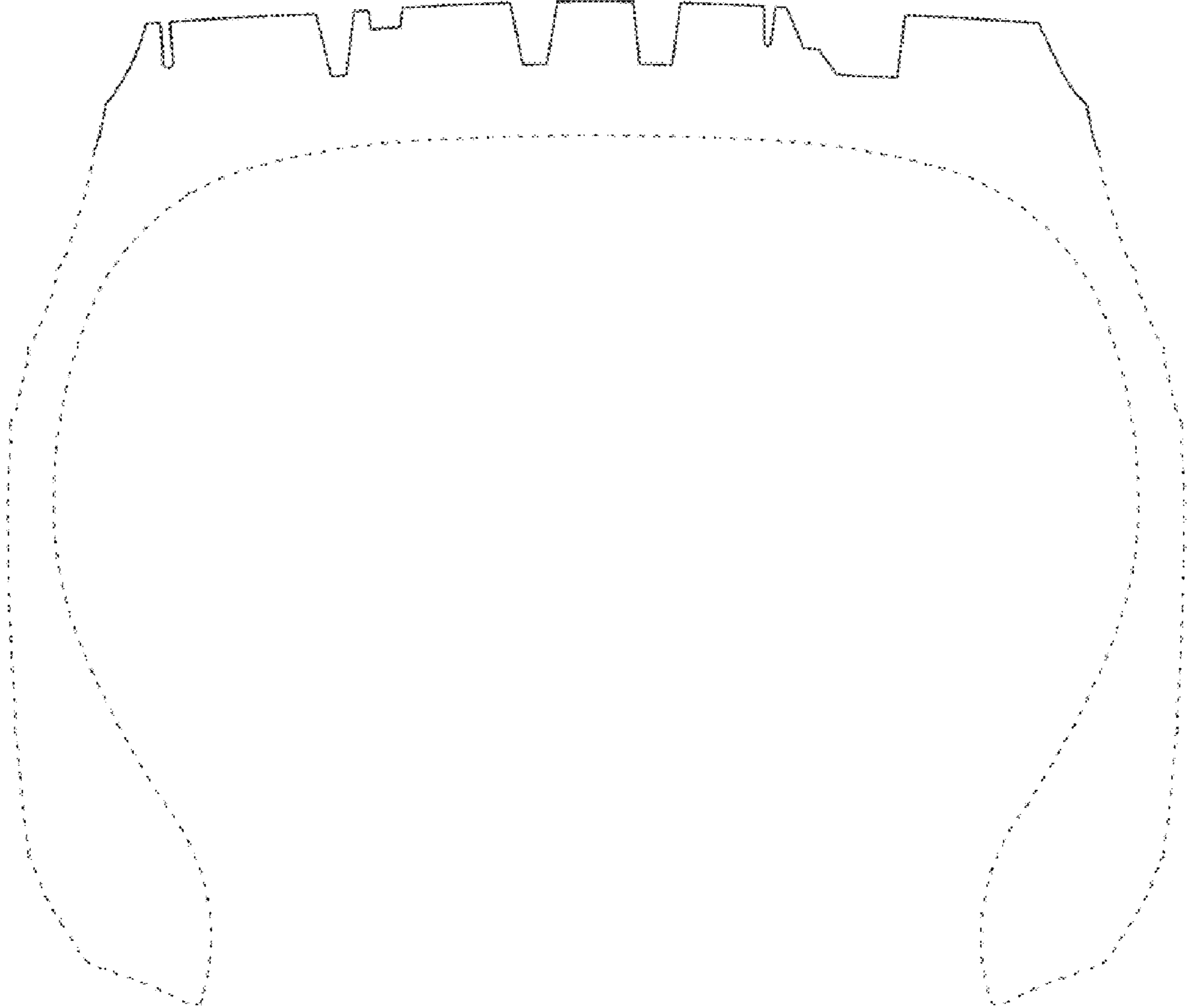


FIGURE 9