



US00D647020S

(12) **United States Design Patent**
Kosaka

(10) **Patent No.:** **US D647,020 S**

(45) **Date of Patent:** **** Oct. 18, 2011**

(54) **SUN VISOR FOR AN AUTOMOBILE WITH SPEAKER**

(75) Inventor: **Shiro Kosaka**, Tokyo (JP)

(73) Assignee: **Kabushiki Kaisha GA, Inc.**, Tokyo (JP)

(**) Term: **14 Years**

(21) Appl. No.: **29/390,688**

(22) Filed: **Apr. 28, 2011**

(30) **Foreign Application Priority Data**

Oct. 28, 2010 (JP) 2010-025952

(51) **LOC (9) Cl.** **12-16**

(52) **U.S. Cl.** **D12/191**

(58) **Field of Classification Search** D12/191,
D12/181, 184-185, 106, 417, 311-312; 296/97.1,
296/97.2, 97.3, 97.4, 97.5, 97.6, 97.7, 97.8;
160/370.21, 370.23, 370.22

See application file for complete search history.

(56) **References Cited**

U.S. PATENT DOCUMENTS

D403,296 S *	12/1998	Thomas	D12/417
D420,360 S *	2/2000	Amron	D14/239
D431,805 S *	10/2000	Baltazar	D12/191
D504,367 S *	4/2005	Maxwell	D12/191
D594,394 S *	6/2009	Kawamata	D12/191
2009/0218845 A1 *	9/2009	Rockafellow	296/97.5
2009/0315360 A1 *	12/2009	Olep et al.	296/97.4
2010/0090494 A1 *	4/2010	Marcus et al.	296/97.5
2010/0109377 A1 *	5/2010	Calco	296/152
2010/0117395 A1 *	5/2010	Wieczorek et al.	296/97.5
2010/0219655 A1 *	9/2010	Rymer, Jr.	296/97.8

* cited by examiner

Primary Examiner — Caron D Veynar

Assistant Examiner — Katrina A Kile

(74) *Attorney, Agent, or Firm* — Banner & Witcoff, Ltd

(57) **CLAIM**

The ornamental design for a sun visor for an automobile with speaker, as shown and described.

DESCRIPTION

FIG. 1 is a front, top and right side perspective view of a sun visor for an automobile with speaker, showing my new design;

FIG. 2 is a perspective view with sun visor in an inclined state thereof;

FIG. 3 is a front elevational view thereof;

FIG. 4 is a rear elevational view thereof;

FIG. 5 is a top plan view thereof;

FIG. 6 is a bottom plan view thereof;

FIG. 7 is a right side elevational view thereof; the opposite side being a mirror image thereof;

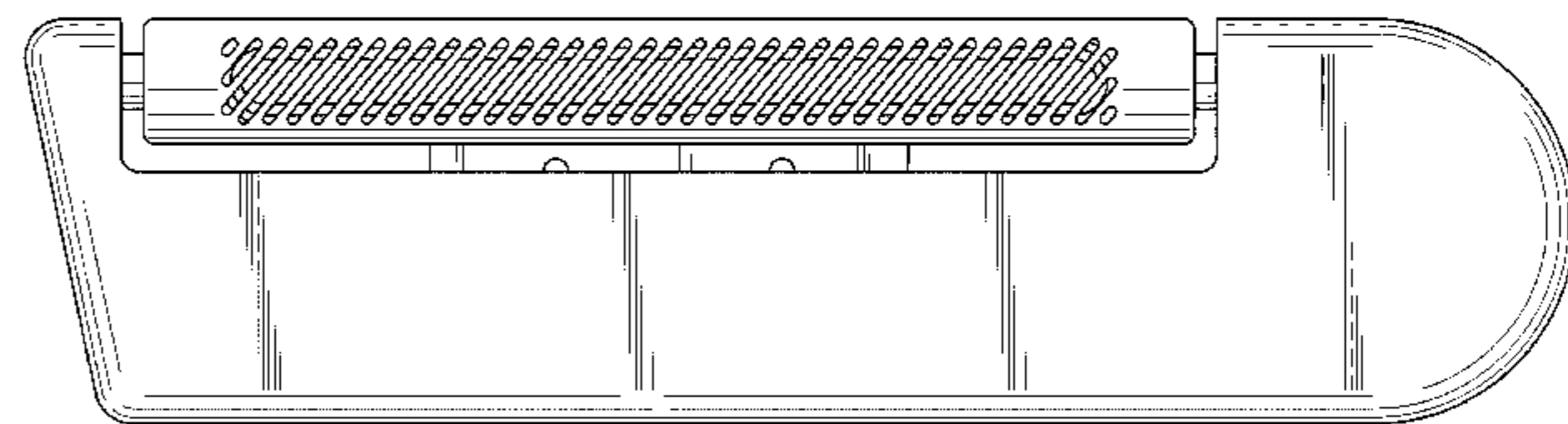
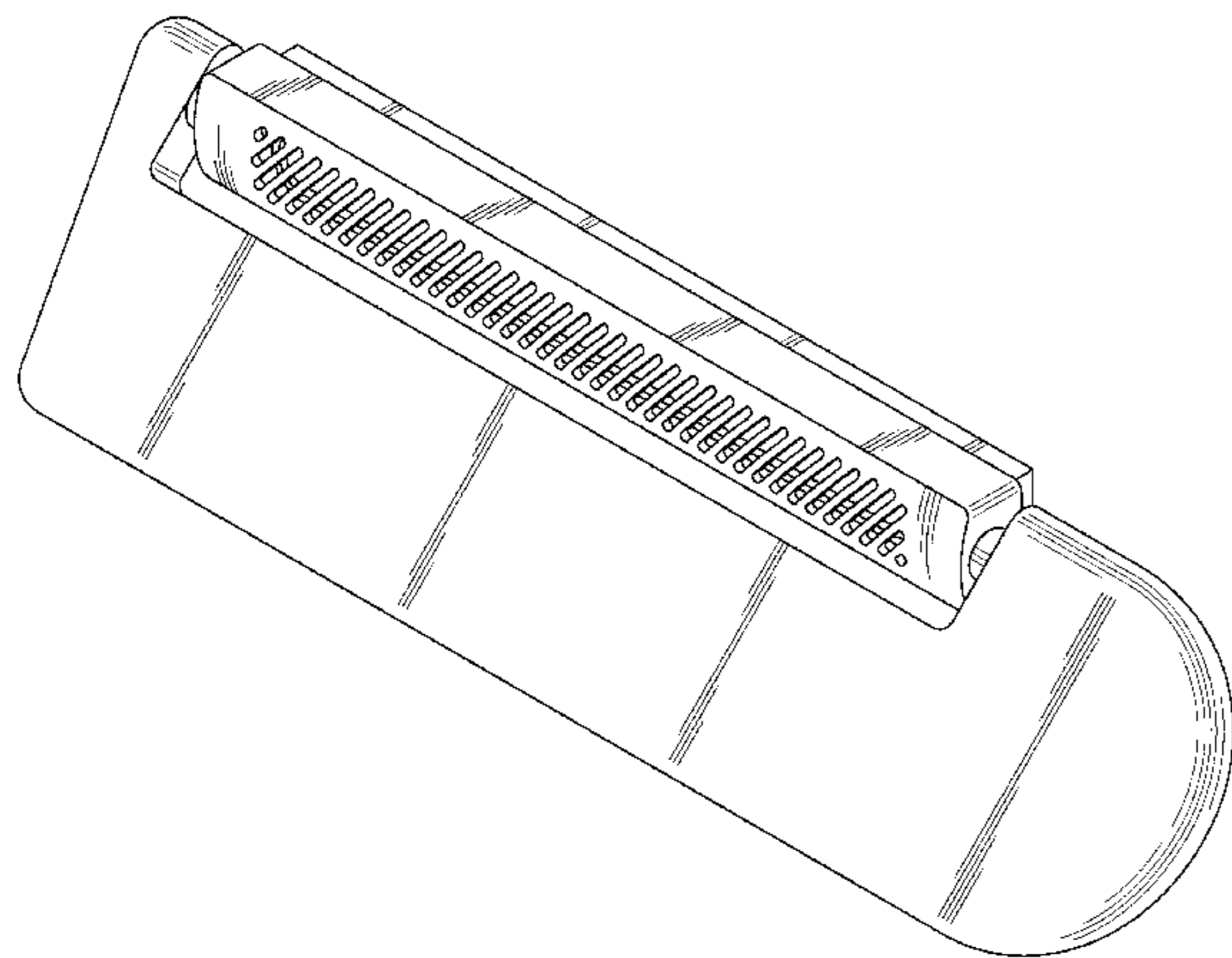
FIG. 8 is a front elevational view with sun visor in an inclined state thereof;

FIG. 9 is a right side elevational view with sun visor in an inclined state thereof;

FIG. 10 is a bottom plan view with sun visor in an inclined state thereof; and,

FIG. 11 is an enlarged fragmentary perspective view of the portion thereof surrounded by box 11 in FIG. 1, showing the hole of speaker.

1 Claim, 7 Drawing Sheets



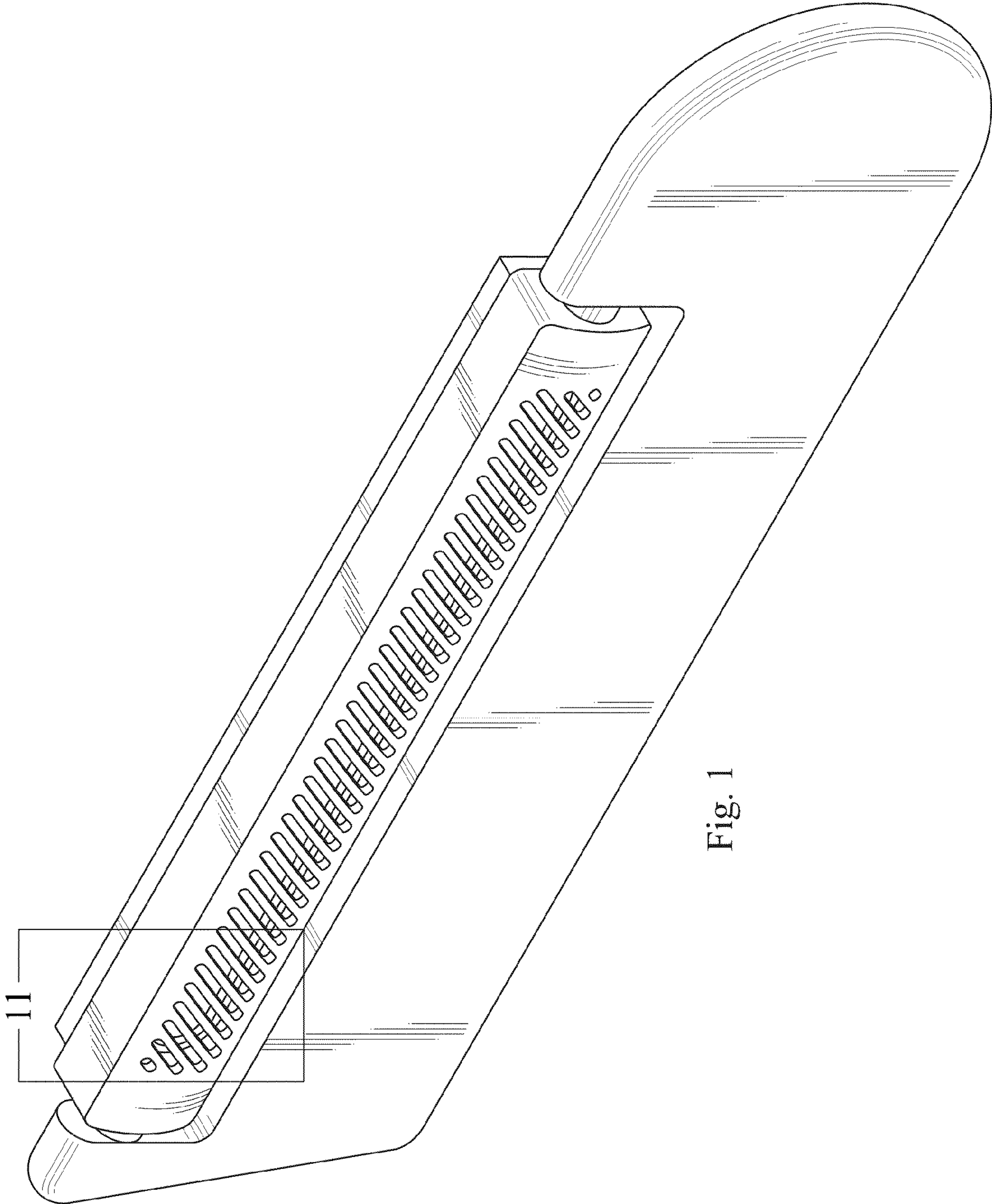


Fig. 1

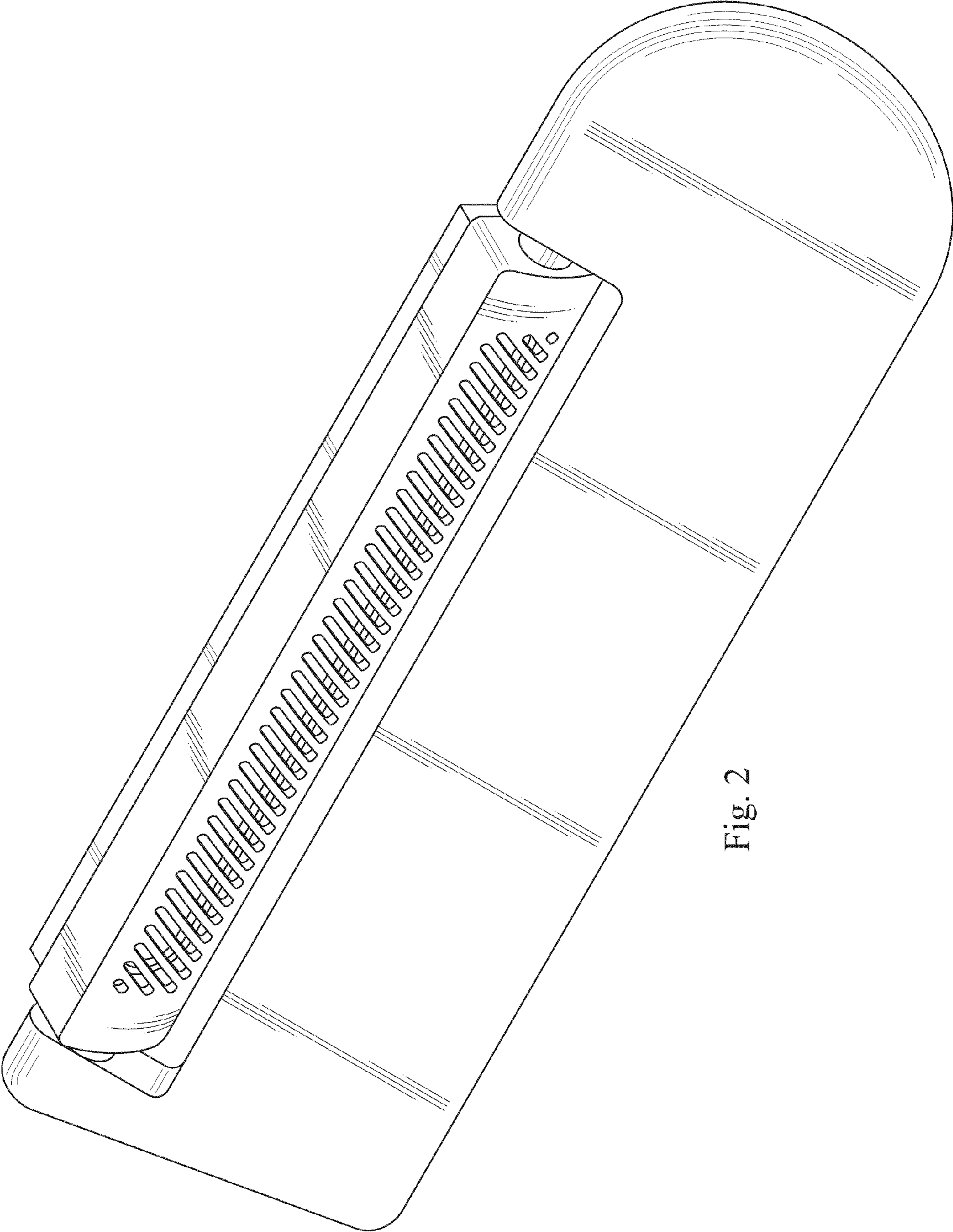


Fig. 2

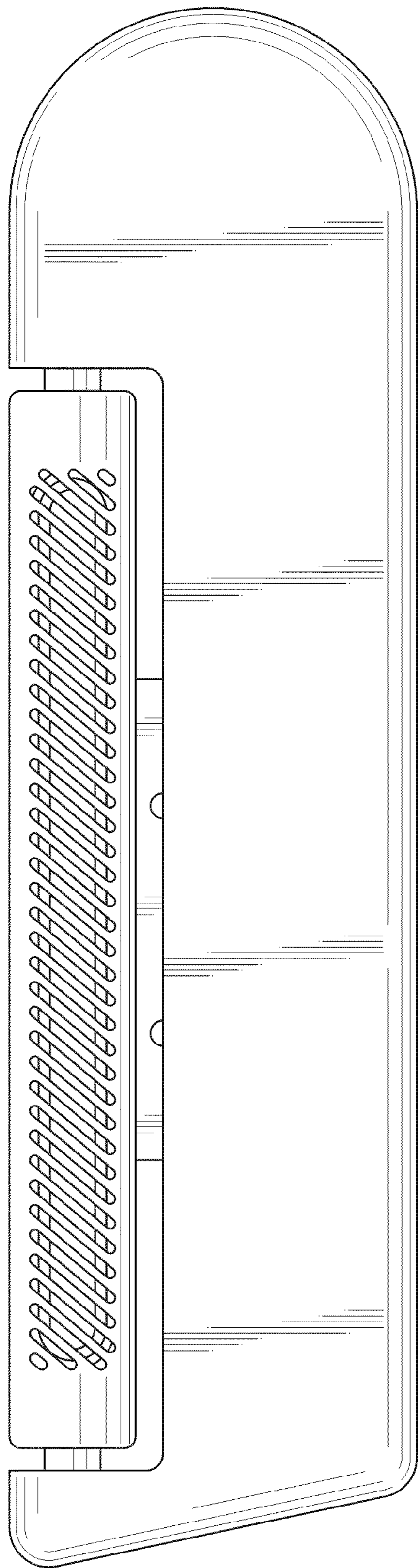


Fig. 3

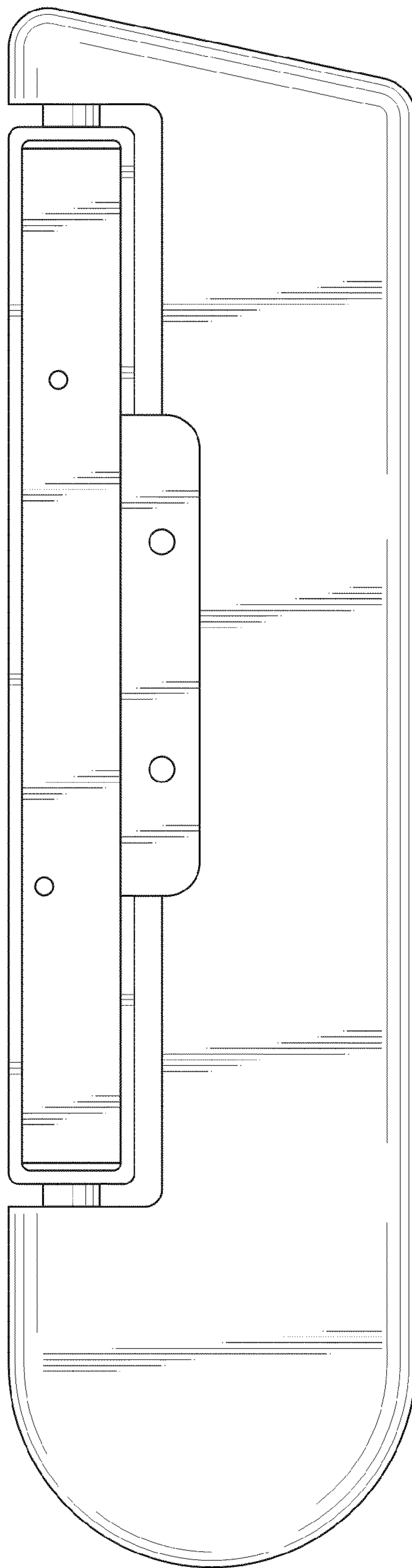


Fig. 4

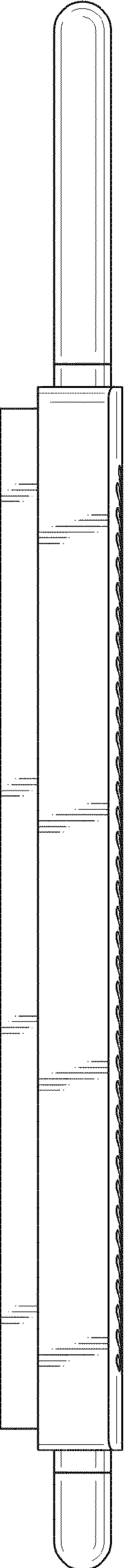


Fig. 5

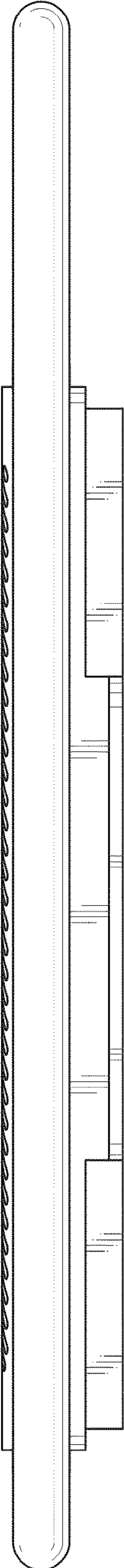


Fig. 6

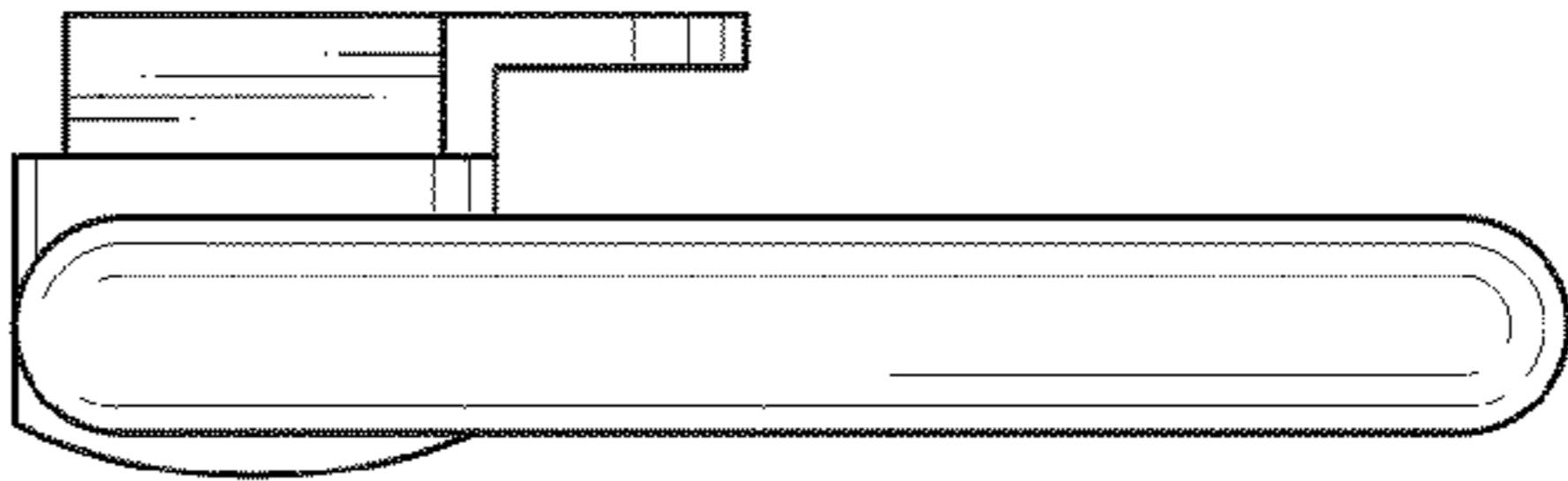


Fig. 7

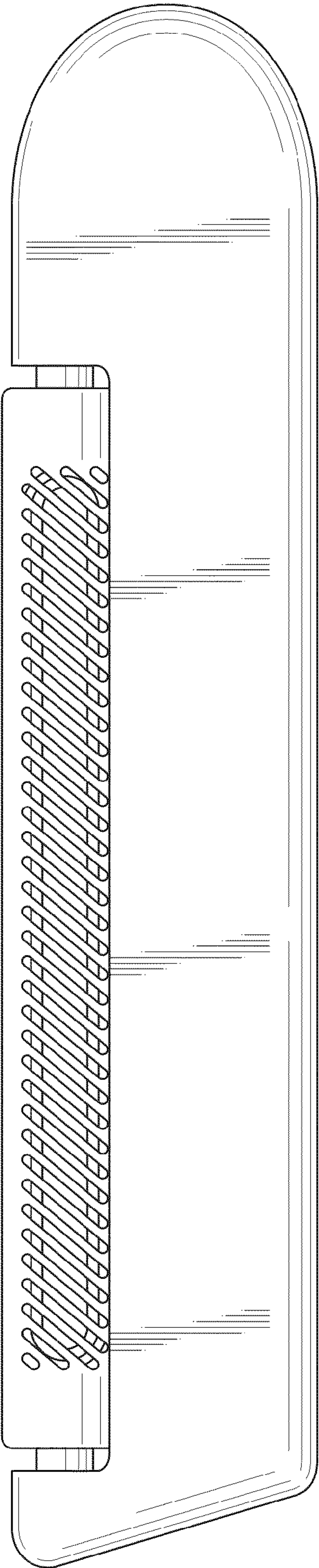


Fig. 8

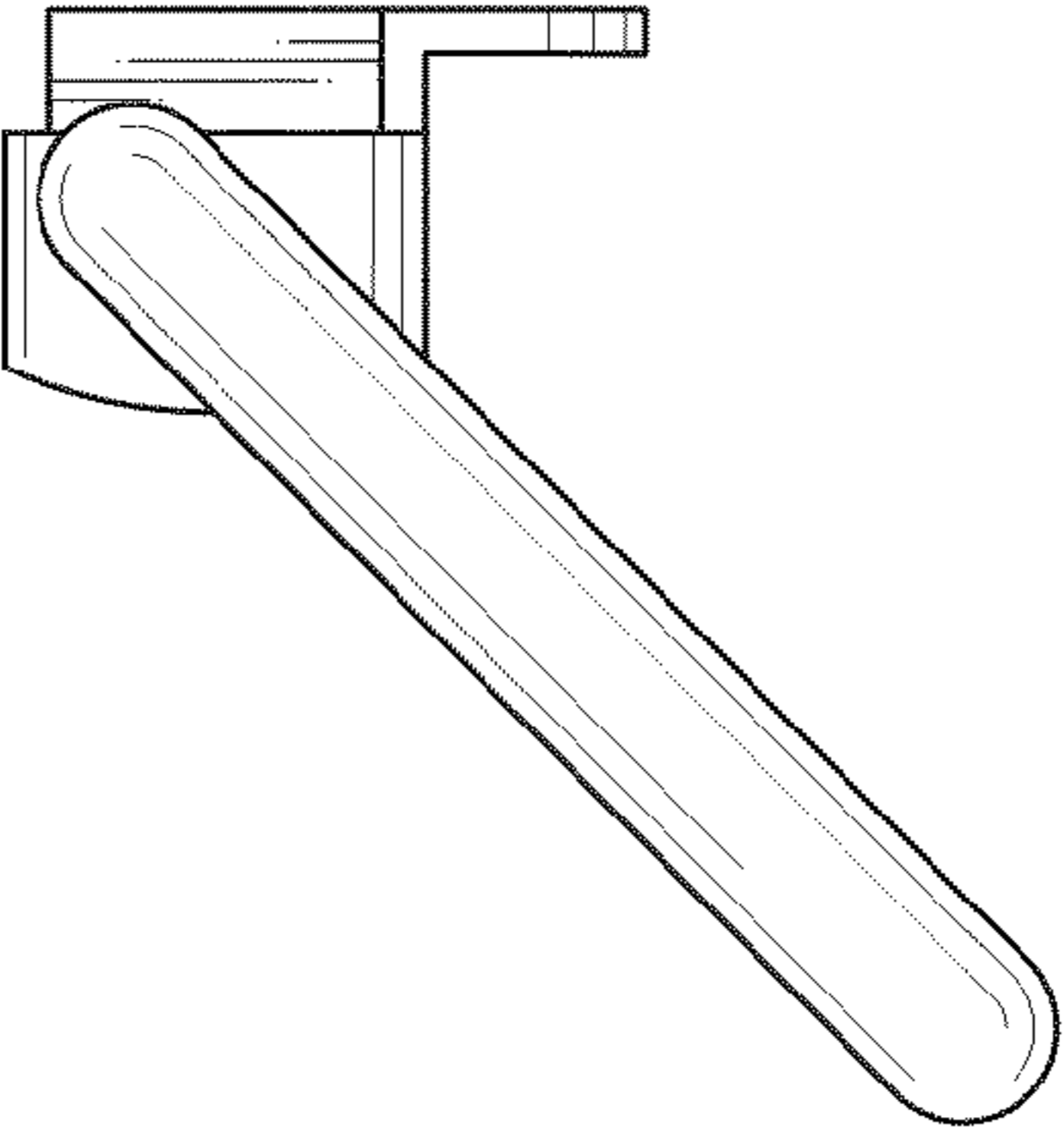


Fig. 9

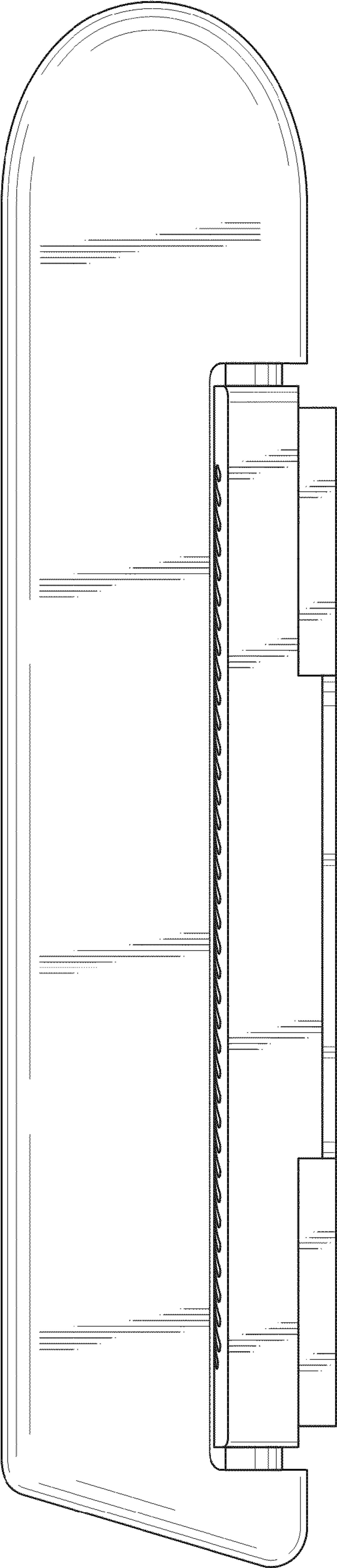


Fig. 10

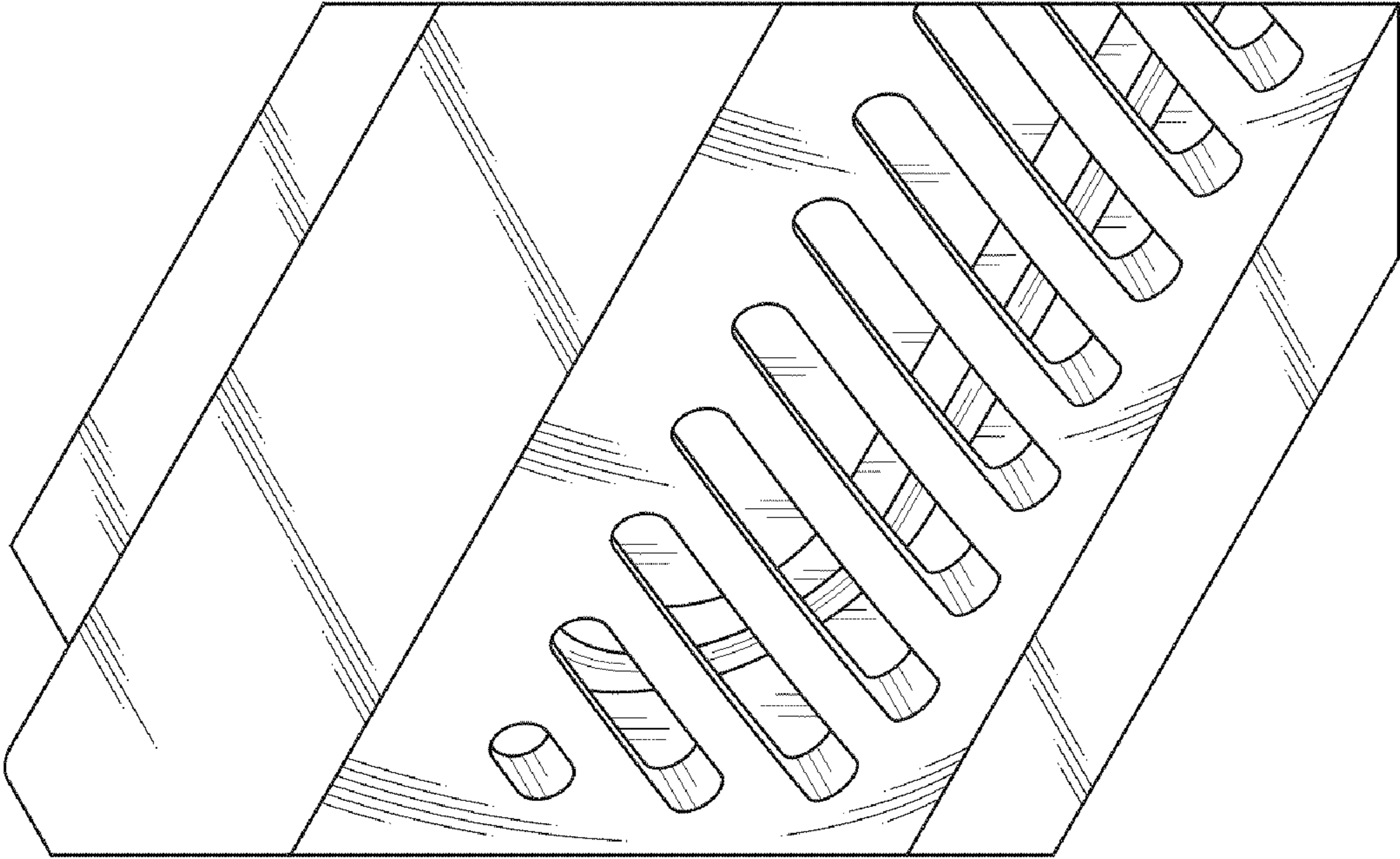


Fig. 11